



US00D954686S

(12) **United States Design Patent**
Chen

(10) **Patent No.:** **US D954,686 S**
(45) **Date of Patent:** **** Jun. 14, 2022**

- (54) **MICROPHONE**
- (71) Applicant: **GUANGZHOU MAILONG NETWORK TECHNOLOGY CO., LTD.**, Guangzhou (CN)
- (72) Inventor: **Dongmei Chen**, Enping (CN)
- (73) Assignee: **GUANGZHOU MAILONG NETWORK TECHNOLOGY CO., LTD.**, Guangzhou (CN)
- (**) Term: **15 Years**
- (21) Appl. No.: **29/795,882**
- (22) Filed: **Jun. 21, 2021**
- (51) **LOC (13) Cl.** **14-01**
- (52) **U.S. Cl.**
USPC **D14/227; D14/229**
- (58) **Field of Classification Search**
USPC D14/227, 229, 225, 226, 228; D21/760, D21/762; D6/513, 681, 309; 248/291.1; D11/121; 52/145; D8/358, 359; D26/63, 51, 46, 24; D16/244; 381/361, 381/172, 356, 363, 355, 122; 362/371
CPC H04R 19/04; H04R 11/04; H04R 3/00; H04R 9/06; H04R 5/02; H04R 9/08; H04R 1/08; H04R 1/02; H04R 25/00; A47B 85/00; A45C 3/00
See application file for complete search history.

- 5,664,750 A * 9/1997 Cohen F16M 11/041
248/231.71
- D407,311 S * 3/1999 DuCorday D9/434
- D426,939 S * 6/2000 Farbenbloom D2/892
- D435,037 S * 12/2000 Liu D14/228
- 6,219,429 B1 * 4/2001 Chung H04R 1/08
381/361
- D444,782 S * 7/2001 Chung D14/228
- 6,424,724 B1 * 7/2002 Ming-Cheng H04R 1/08
381/361

(Continued)

FOREIGN PATENT DOCUMENTS

- CN 306880905 * 10/2021
- CN 306956037 * 11/2021

(Continued)

Primary Examiner — Paula Allen Greene

(57) **CLAIM**

The ornamental design for a microphone, as shown and described.

DESCRIPTION

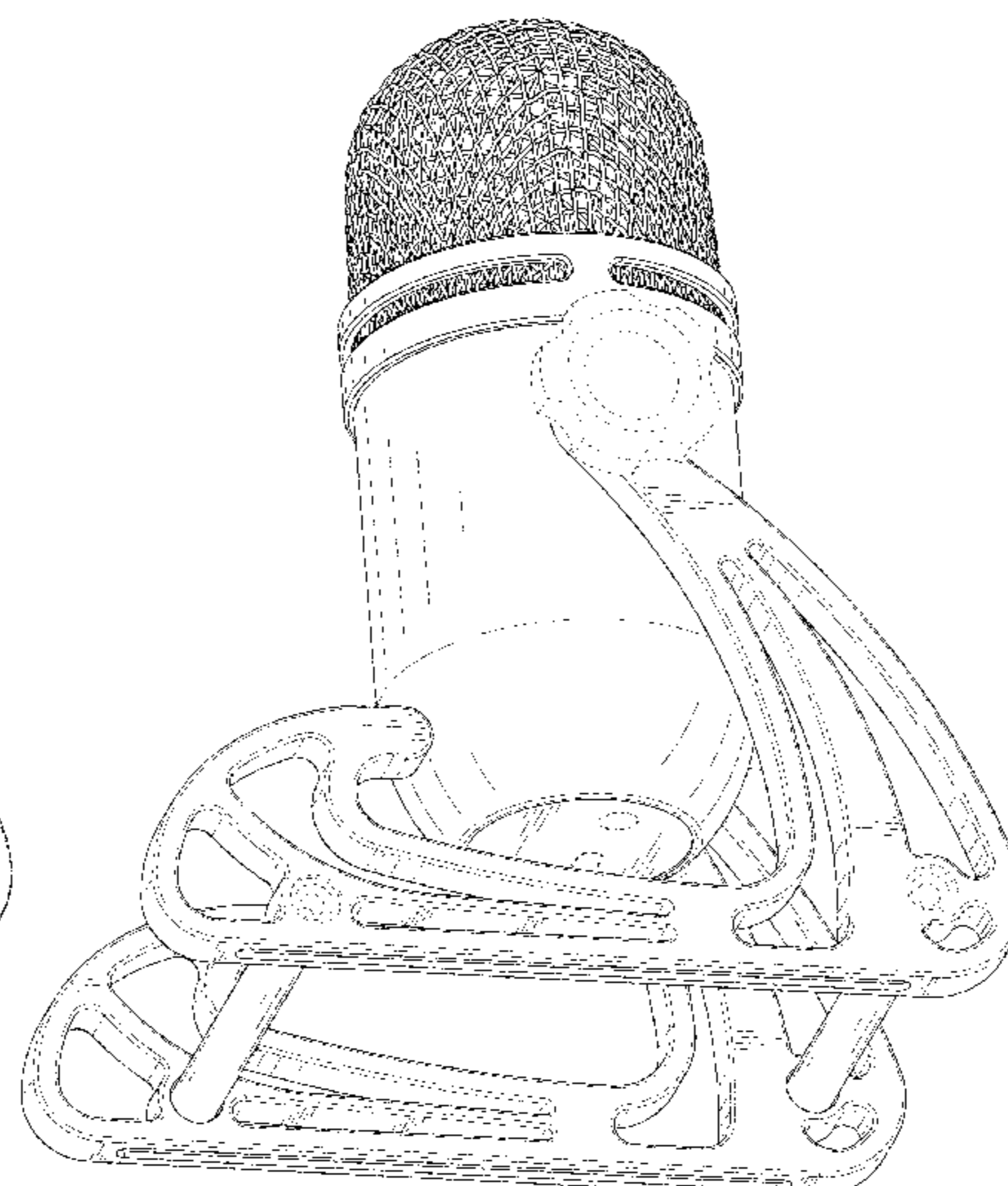
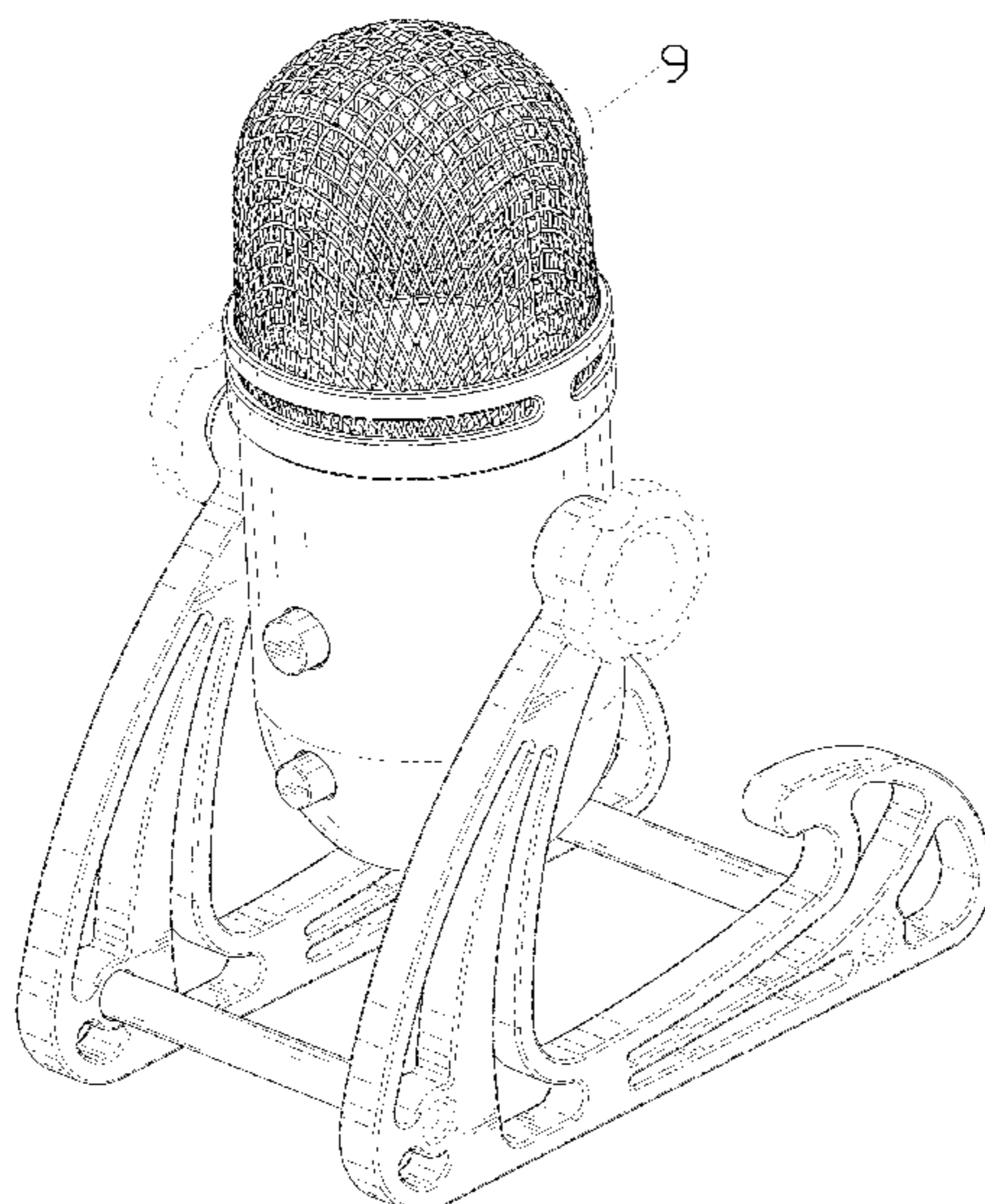
FIG. 1 is a perspective view of a microphone showing my new design;
 FIG. 2 is another perspective view thereof;
 FIG. 3 is a front elevational view thereof;
 FIG. 4 is a rear elevational view thereof;
 FIG. 5 is a left side elevational view thereof;
 FIG. 6 is a right side elevational view thereof;
 FIG. 7 is a top plan view thereof;
 FIG. 8 is a bottom plan view thereof; and,
 FIG. 9 is an enlarged view of portion 9 shown in FIG. 1.
 The broken lines in the drawings depict portions of the microphone that form no part of the claimed design.
 The dot dash dot broken lines encircling portions of the microphone in FIG. 1 and illustrated in the enlarged view of FIG. 9 form no part of the claimed design.

1 Claim, 9 Drawing Sheets

(56) **References Cited**

U.S. PATENT DOCUMENTS

- D170,162 S * 8/1953 Ogren D8/359
- D197,937 S * 4/1964 Anderson D23/362
- 4,175,602 A * 11/1979 Cavalaris A45C 3/00
141/390
- 4,194,329 A * 3/1980 Wendt B32B 3/266
52/409
- 5,401,564 A * 3/1995 Lee A43B 7/226
428/113



(56)

References Cited

U.S. PATENT DOCUMENTS

D470,130 S 2/2003 Bigeh
 D479,836 S * 9/2003 Thornton D14/228
 7,412,069 B2 * 8/2008 Workman H04R 1/08
 381/366
 D622,592 S * 8/2010 Niikura D9/454
 D717,170 S * 11/2014 Tan D9/600
 D737,804 S * 9/2015 Fereday D14/229
 D826,908 S * 8/2018 Stillerman D14/227
 D834,004 S * 11/2018 Chen D14/226
 D834,564 S * 11/2018 Chen D14/226
 D835,612 S * 12/2018 Tong D14/225
 D836,090 S * 12/2018 Li D14/227
 D842,278 S * 3/2019 Tong D14/227
 D842,846 S * 3/2019 Mai D14/225
 D842,864 S * 3/2019 Gutierrez Novabos .. D14/480.1
 D847,627 S * 5/2019 Kelly D9/434
 D848,404 S * 5/2019 Chen D14/227
 D849,721 S * 5/2019 Chen D14/227

D850,423 S * 6/2019 Chen D14/227
 D851,073 S * 6/2019 Tong D14/227
 D881,169 S 4/2020 Renwick
 D890,141 S * 7/2020 Chen D14/228
 D890,732 S * 7/2020 Chen D14/227
 D899,407 S * 10/2020 Mai D14/227
 D918,876 S * 5/2021 Mai D14/227
 D919,604 S * 5/2021 Mai D14/227
 D925,505 S * 7/2021 Wang D14/228
 D925,506 S * 7/2021 Wang D14/228
 D946,556 S * 3/2022 Mai D14/228
 2002/0159253 A1 * 10/2002 Dalebout F21V 21/0885
 362/396
 2008/0152174 A1 * 6/2008 Marshall H04R 19/04
 381/172

FOREIGN PATENT DOCUMENTS

CN 307010704 * 12/2021
 EM 008827638-0001 * 1/2022

* cited by examiner

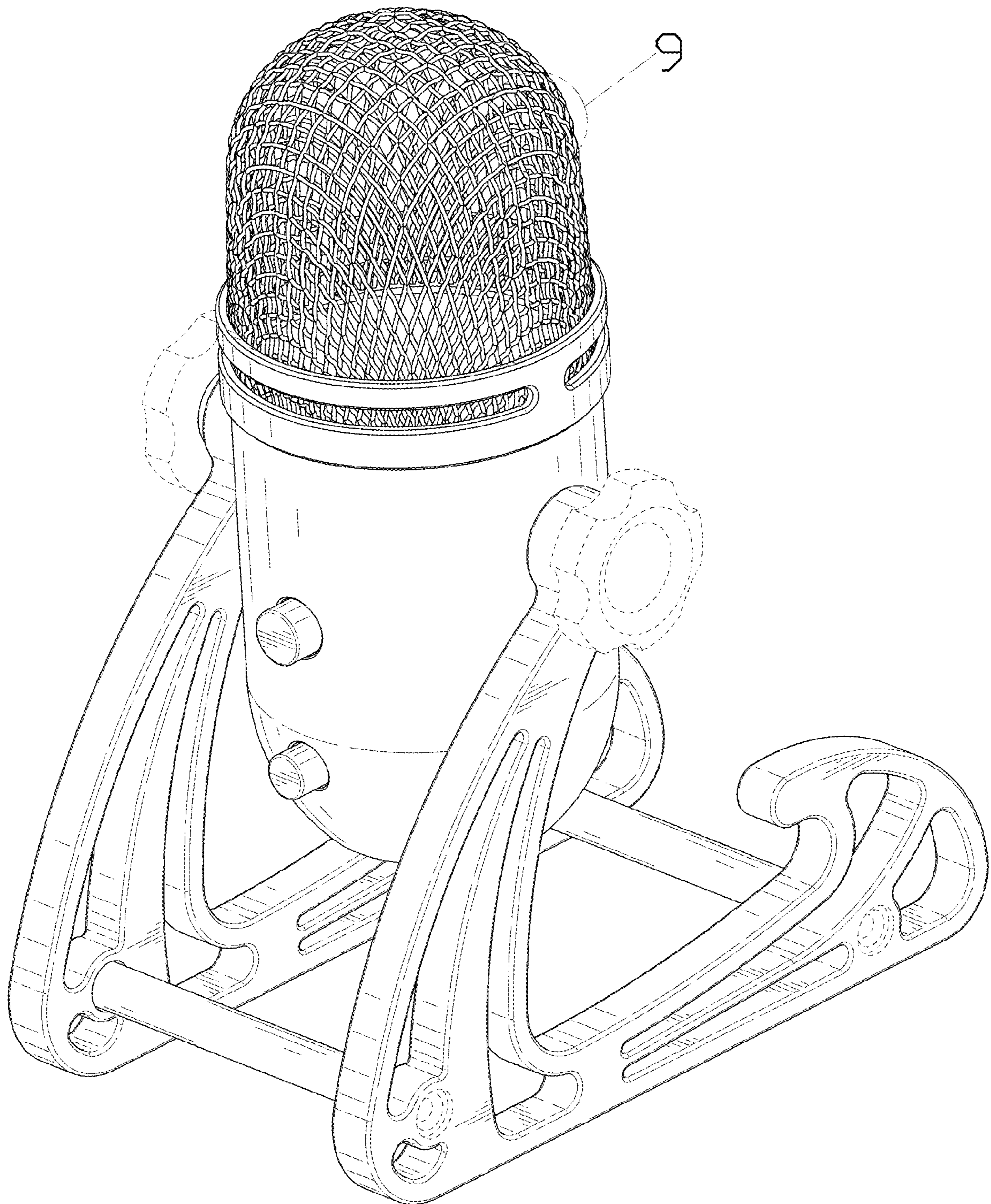


FIG. 1

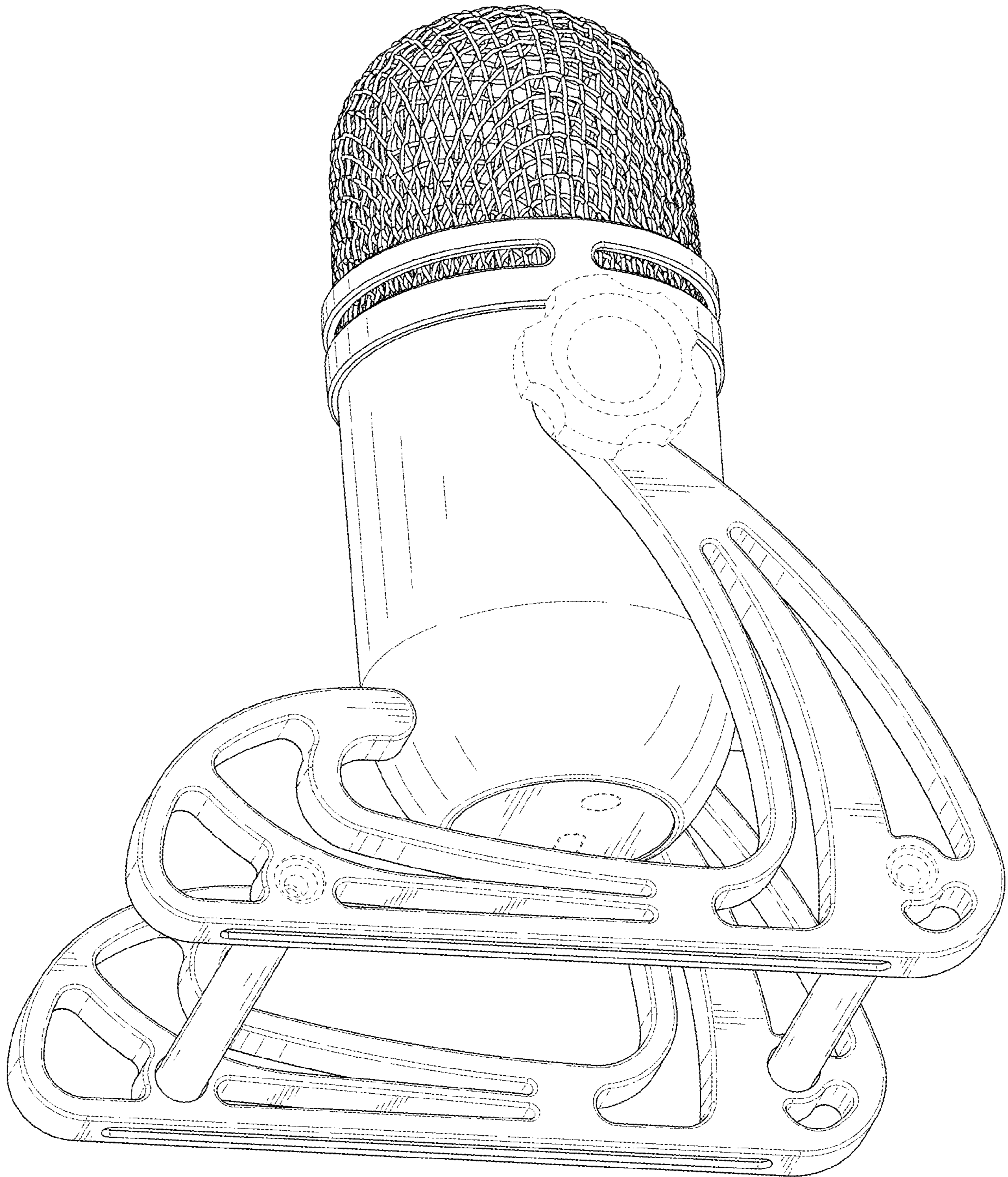


FIG. 2

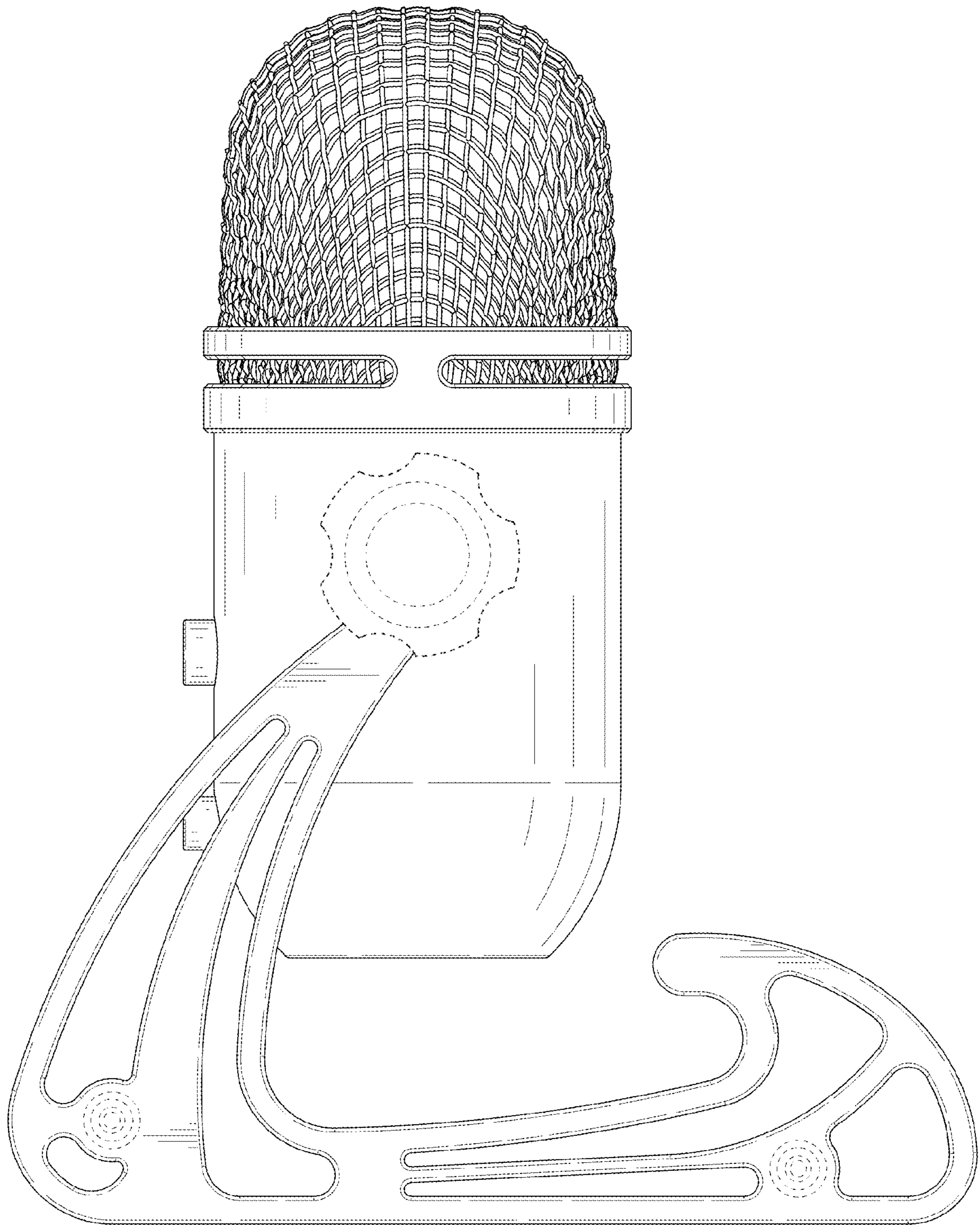


FIG. 3

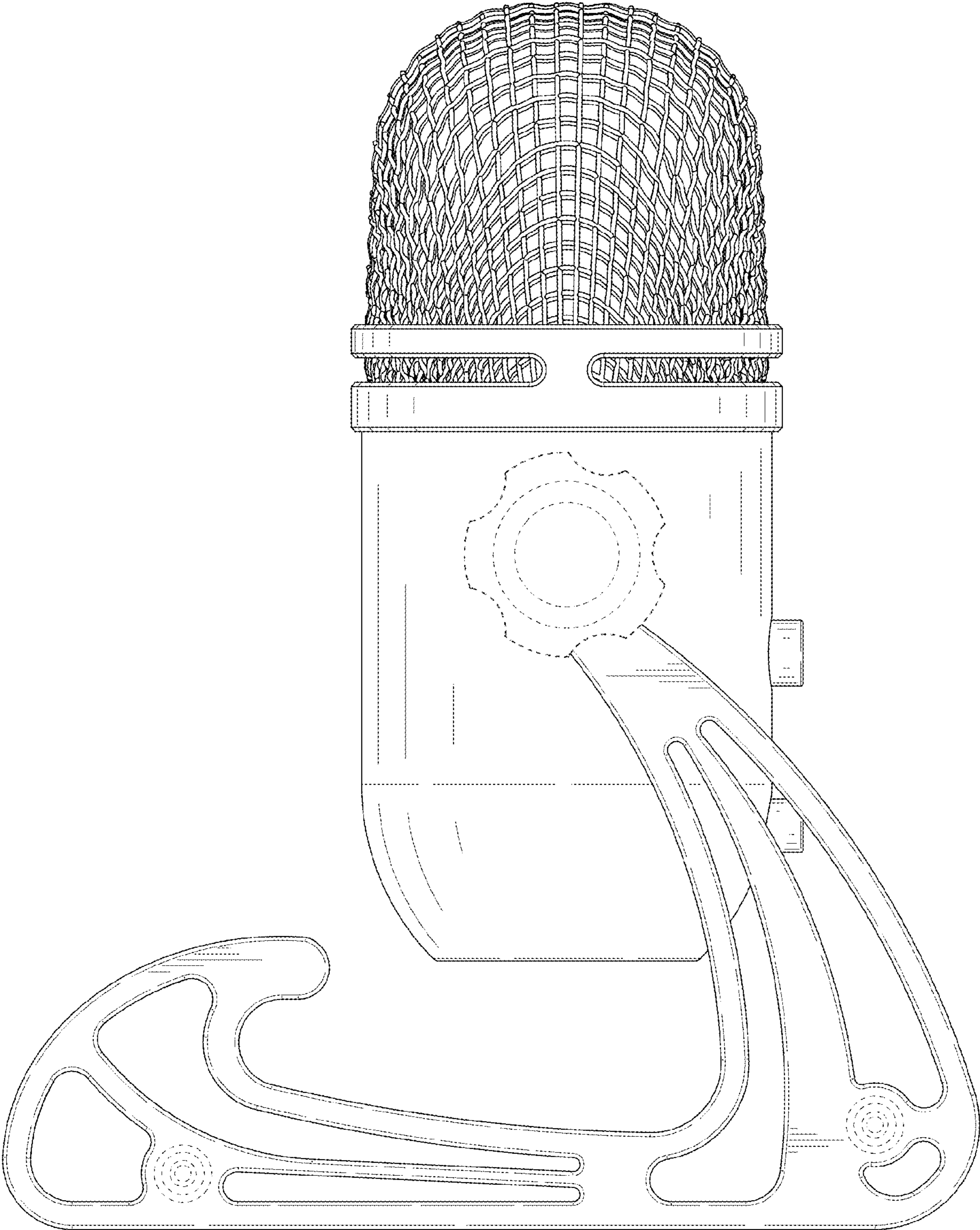


FIG. 4

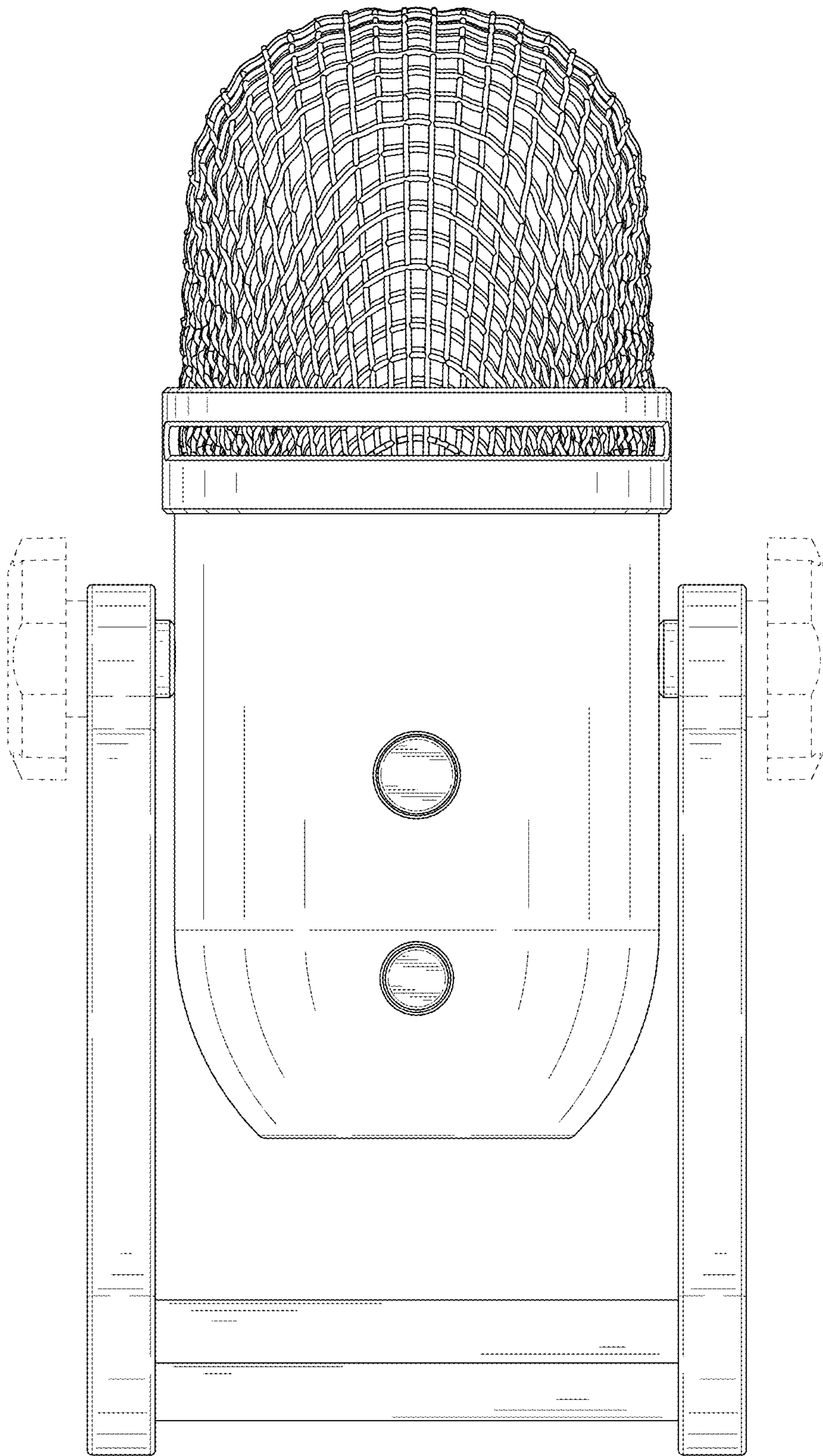


FIG. 5

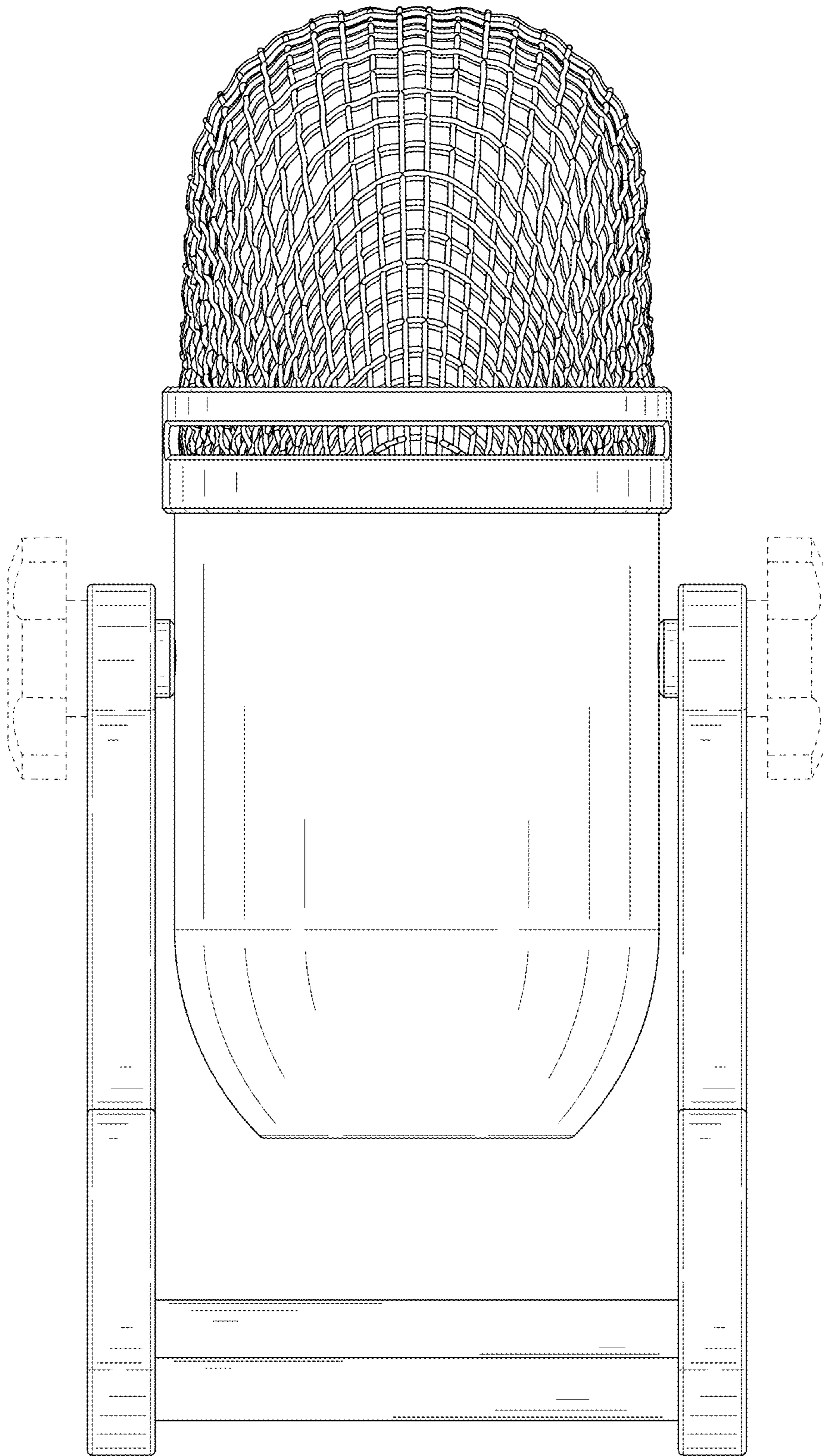


FIG. 6

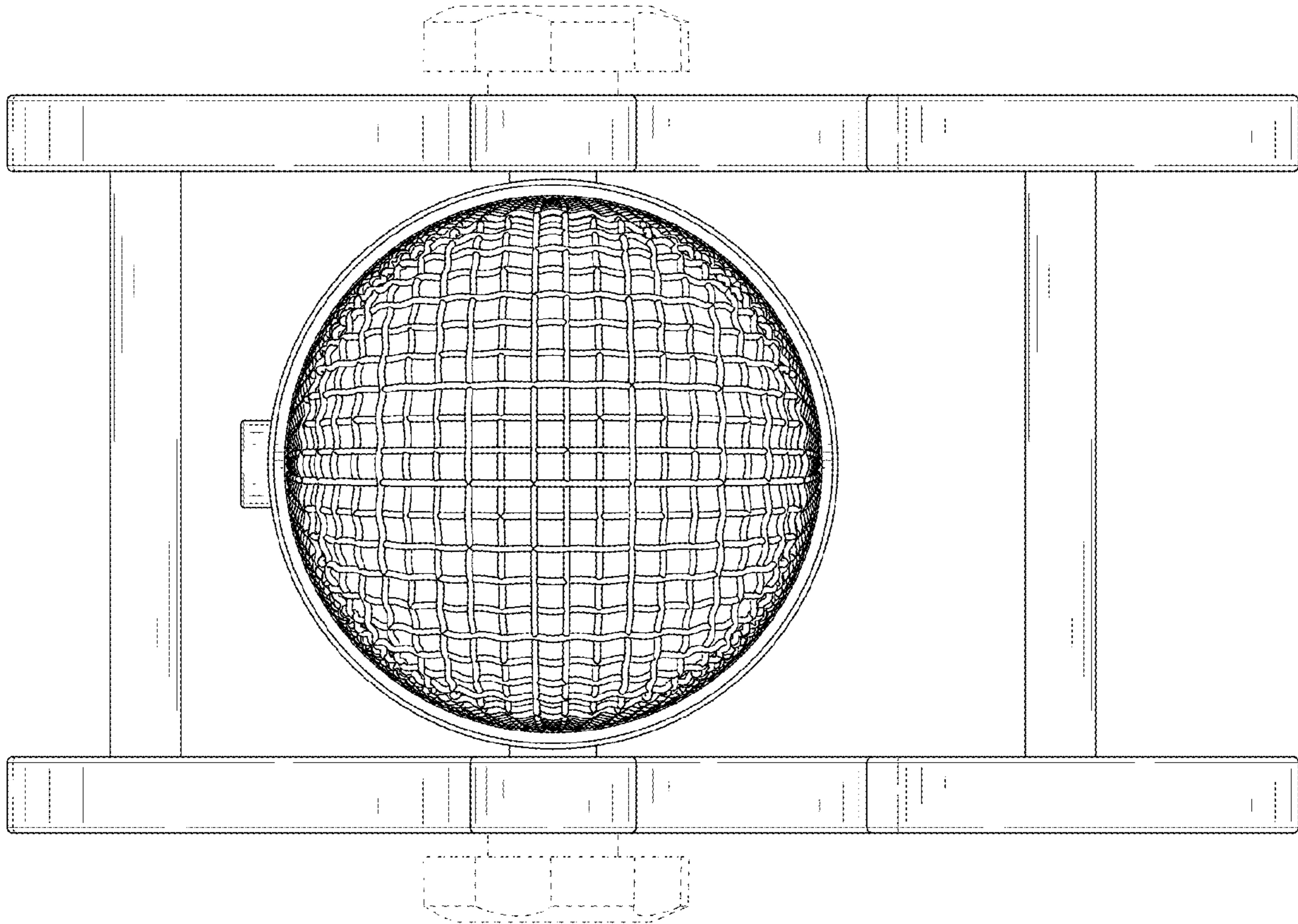


FIG. 7

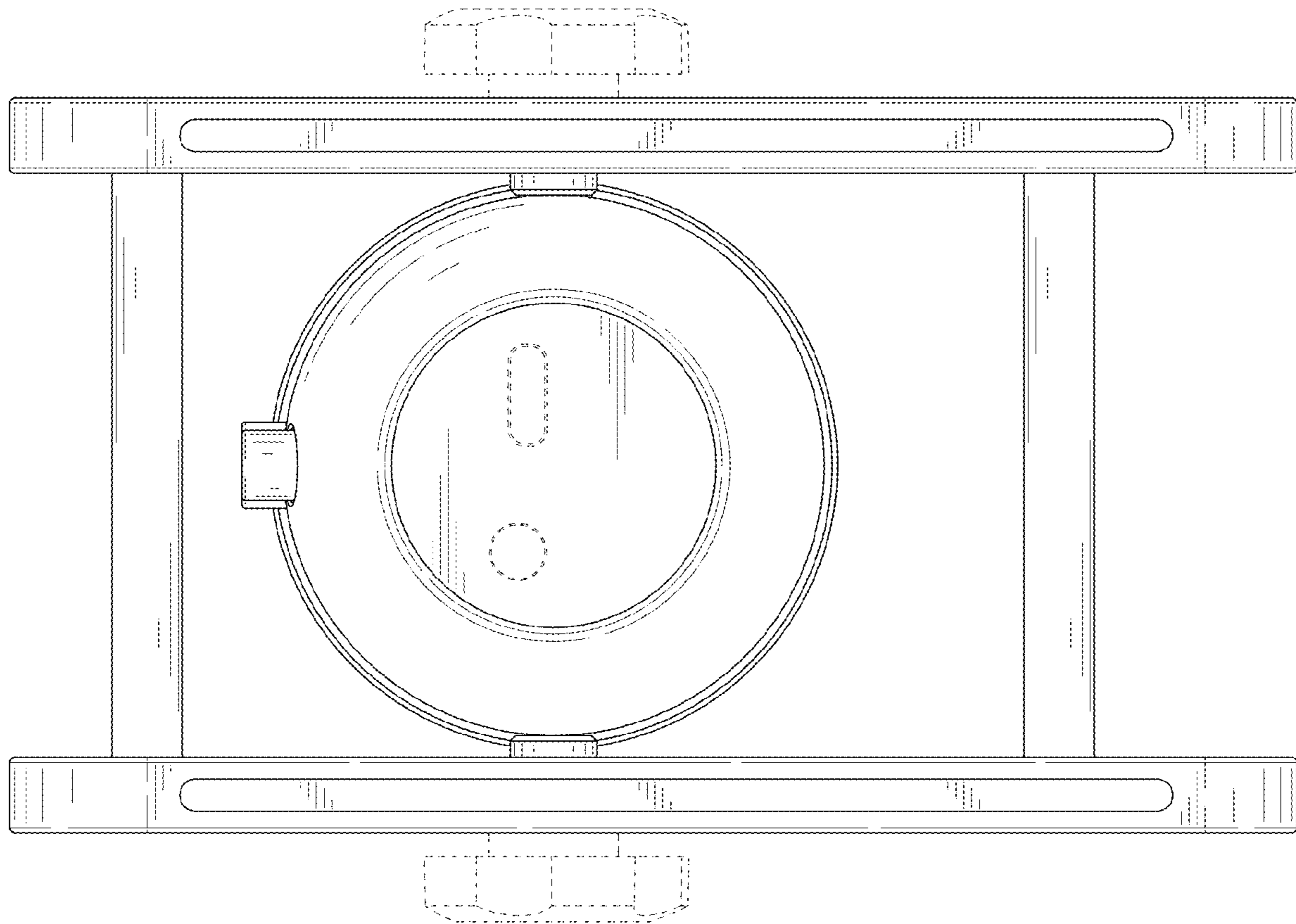


FIG. 8

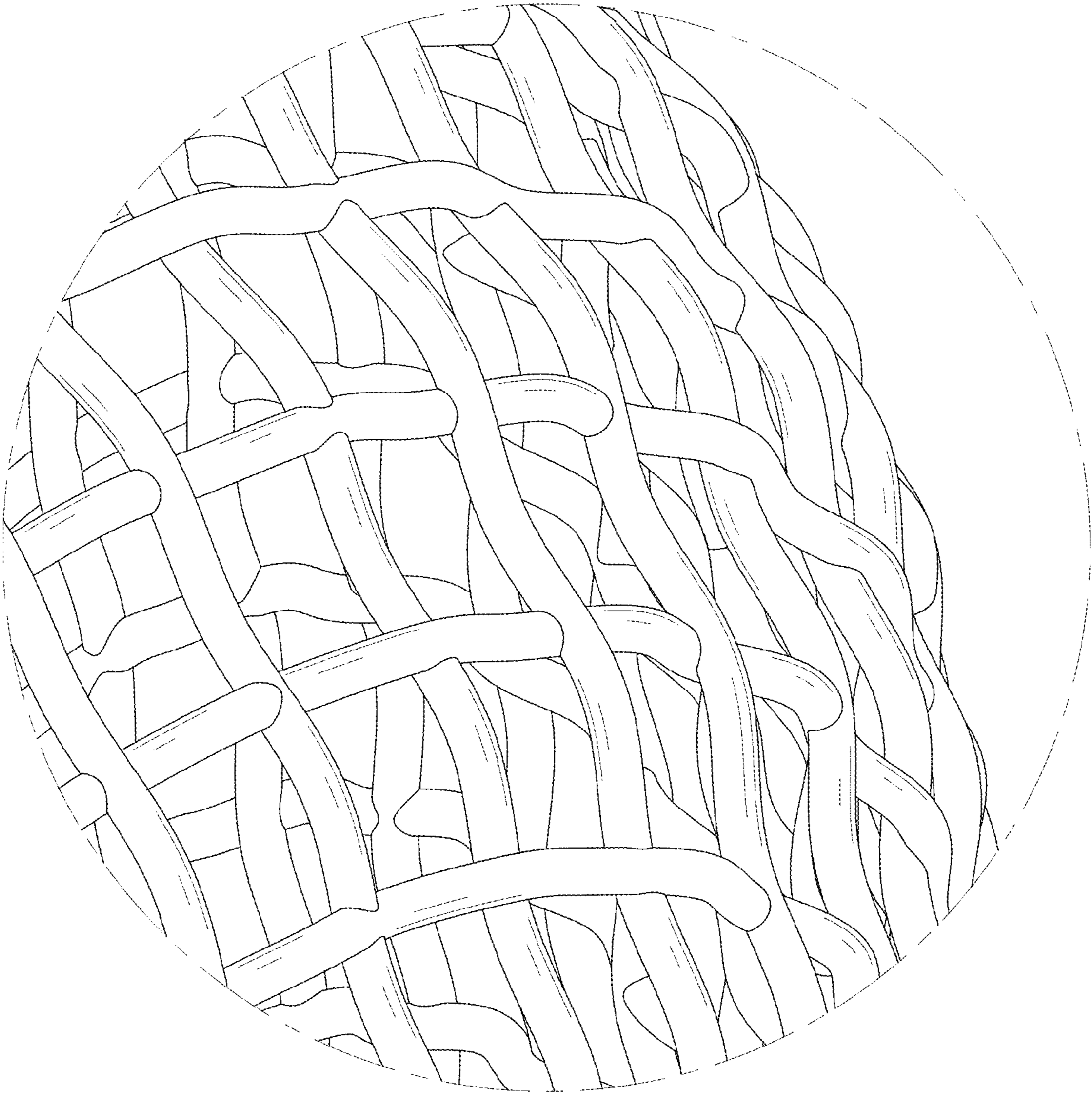


FIG. 9