



US00D954685S

(12) **United States Design Patent**  
**Mai**

(10) **Patent No.:** **US D954,685 S**  
(45) **Date of Patent:** **\*\* Jun. 14, 2022**

(54) **MICROPHONE**

(71) Applicant: **SHENZHEN XUNWEIJIA TECHNOLOGY DEVELOPMENT CO., LTD.**, Shenzhen (CN)

(72) Inventor: **Qibin Mai**, Shenzhen (CN)

(73) Assignee: **SHENZHEN XUNWEIJIA TECHNOLOGY DEVELOPMENT CO., LTD.**, Shenzhen (CN)

(\*\*) Term: **15 Years**

(21) Appl. No.: **29/784,949**

(22) Filed: **May 21, 2021**

(51) **LOC (13) Cl.** ..... **14-01**

(52) **U.S. Cl.**  
USPC ..... **D14/227**; D14/228

(58) **Field of Classification Search**  
USPC ..... D14/227, 225, 228, 229; D24/150, 172;  
381/113, 380, 381; 455/90.3, 575.1,  
455/569.1; D21/483

CPC ..... H04R 25/00; H04R 25/02; H04R 1/02;  
H04R 9/08; H04R 3/00

See application file for complete search history.

(56) **References Cited**

**U.S. PATENT DOCUMENTS**

- 2,328,941 A \* 9/1943 Anderson ..... H04R 1/326  
367/137
- D171,055 S \* 12/1953 Schell, Jr. .... D14/225
- 2,920,140 A \* 1/1960 Morgan ..... H04R 19/04  
381/113
- D194,151 S \* 11/1962 Deschamps ..... D14/228
- D220,108 S \* 3/1971 van de Poel ..... D14/228
- D237,509 S \* 11/1975 D'Amico ..... D14/225
- D241,854 S \* 10/1976 Noyes ..... D14/259
- 4,009,355 A \* 2/1977 Poradowski ..... H04R 1/38  
381/191

- D252,024 S \* 6/1979 Fujita ..... D14/225
- D313,802 S \* 1/1991 Peiker ..... D14/227
- D324,684 S \* 3/1992 Lempert ..... D14/216
- D400,540 S \* 11/1998 Cruver, IV ..... D14/228
- D415,163 S \* 10/1999 Chen ..... D14/228
- D447,131 S \* 8/2001 Hough ..... D14/228
- D448,019 S \* 9/2001 Cebe ..... D14/225
- D503,398 S \* 3/2005 Haase ..... D14/225
- D516,546 S \* 3/2006 Sobol ..... D14/228
- D533,542 S \* 12/2006 Suzuki ..... D14/218
- D555,665 S \* 11/2007 Yeo ..... D14/496
- D576,157 S 9/2008 Nishizawa
- D576,612 S \* 9/2008 Wilson ..... D14/228
- D585,434 S 1/2009 Ganley et al.

(Continued)

**FOREIGN PATENT DOCUMENTS**

- CN 305640851 \* 3/2020
- CN 306242215 \* 12/2020

(Continued)

*Primary Examiner* — Paula Allen Greene

(74) *Attorney, Agent, or Firm* — Law Offices of Steven W. Weinrieb

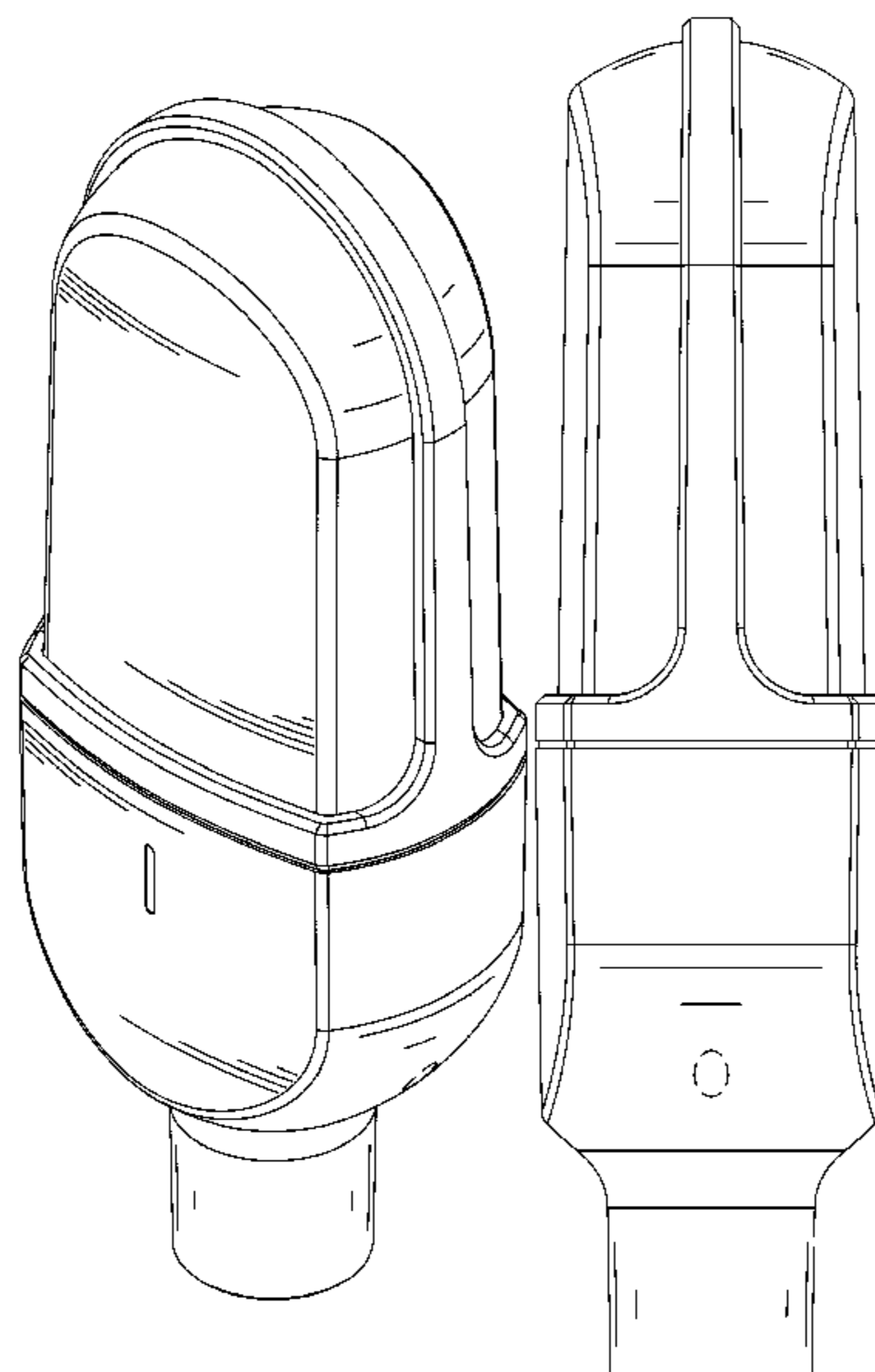
(57) **CLAIM**

The ornamental design for a microphone, as shown and described.

**DESCRIPTION**

FIG. 1 is a front, right side, top perspective view of a microphone showing my new design;  
 FIG. 2 is a front elevational view thereof;  
 FIG. 3 is a rear elevational view thereof;  
 FIG. 4 is a left side elevational view thereof;  
 FIG. 5 is a right side elevational view thereof;  
 FIG. 6 is a top plan view thereof; and,  
 FIG. 7 is a bottom plan view thereof.  
 The broken lines depict portions of the microphone that form no part of the claimed design.

**1 Claim, 7 Drawing Sheets**



(56)

**References Cited**

U.S. PATENT DOCUMENTS

D603,849	S	*	11/2009	Durrett	.....	D14/228
D605,183	S	*	12/2009	Fleischer	.....	D14/227
D605,637	S	*	12/2009	Sank	.....	D14/225
D622,685	S	*	8/2010	Garra	.....	D14/137
D626,952	S	*	11/2010	Ding	.....	D14/242
D632,679	S		2/2011	Emge et al.		
7,889,882	B2	*	2/2011	Marshall	.....	H04R 19/04 381/174
D634,307	S	*	3/2011	Arpe	.....	D14/228
D708,170	S	*	7/2014	Duek	.....	D14/225
D713,391	S		9/2014	Ibuki et al.		
D714,266	S	*	9/2014	Okamura	.....	D14/191
D737,253	S	*	8/2015	Henricksen	.....	D14/228
D758,997	S		6/2016	Miller et al.		
D774,494	S	*	12/2016	Sunwoo	.....	D14/227
D830,346	S	*	10/2018	Chen	.....	D14/225
D835,612	S	*	12/2018	Tong	.....	D14/225
D859,370	S		9/2019	Slaton		
D883,961	S		5/2020	Dai		
D910,605	S	*	2/2021	Renwick	.....	D14/227
D917,430	S	*	4/2021	Mai	.....	D14/228
D918,184	S	*	5/2021	Xiang	.....	D14/228
D925,505	S	*	7/2021	Wang	.....	D14/228
D925,506	S	*	7/2021	Wang	.....	D14/228
D926,734	S	*	8/2021	Balac	.....	D14/225

FOREIGN PATENT DOCUMENTS

CN	306367949	*	3/2021
CN	306382208	*	3/2021
CN	306847208	*	9/2021
CN	307034617	*	12/2021

\* cited by examiner

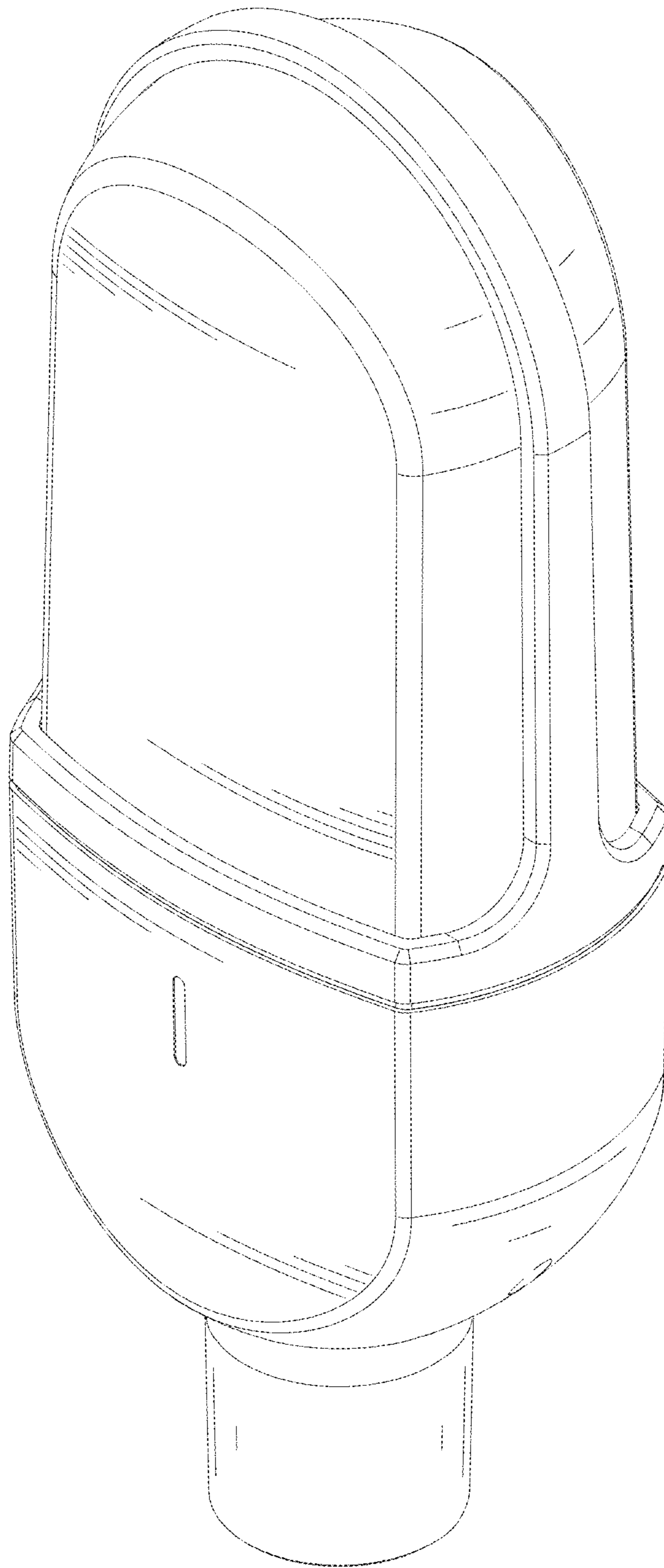


FIG.1

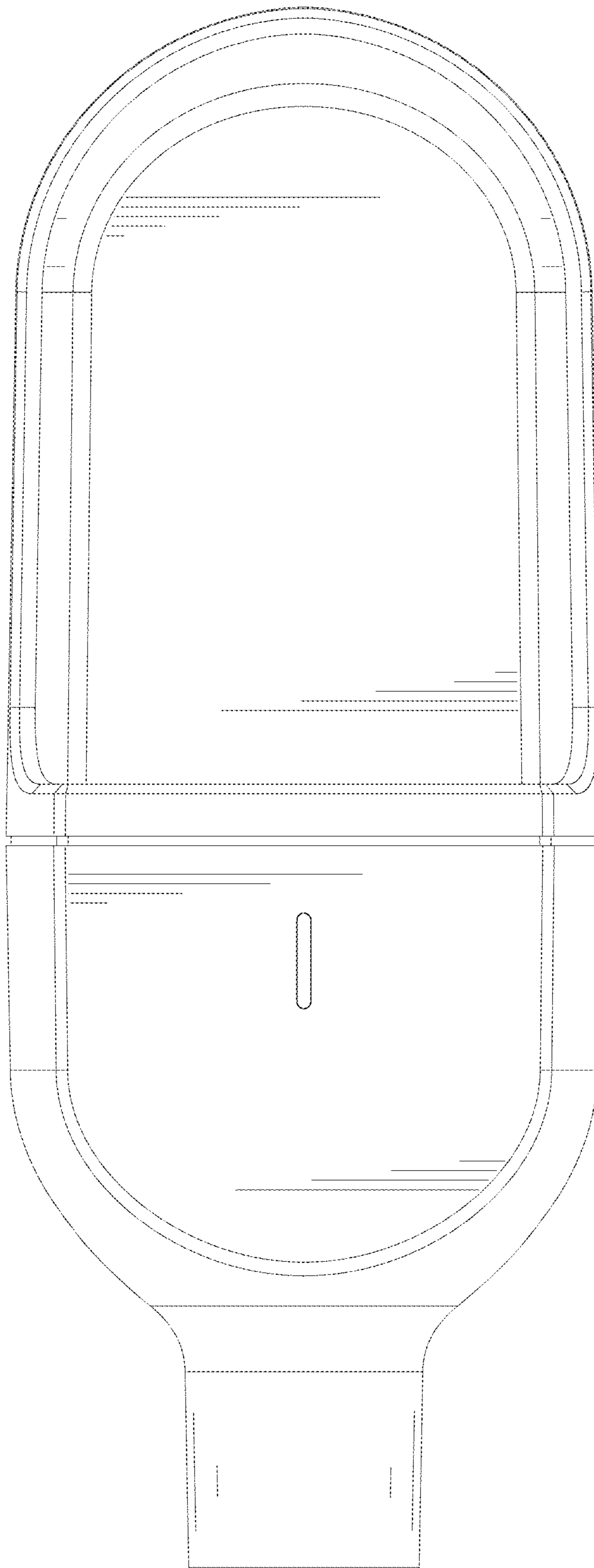


FIG. 2

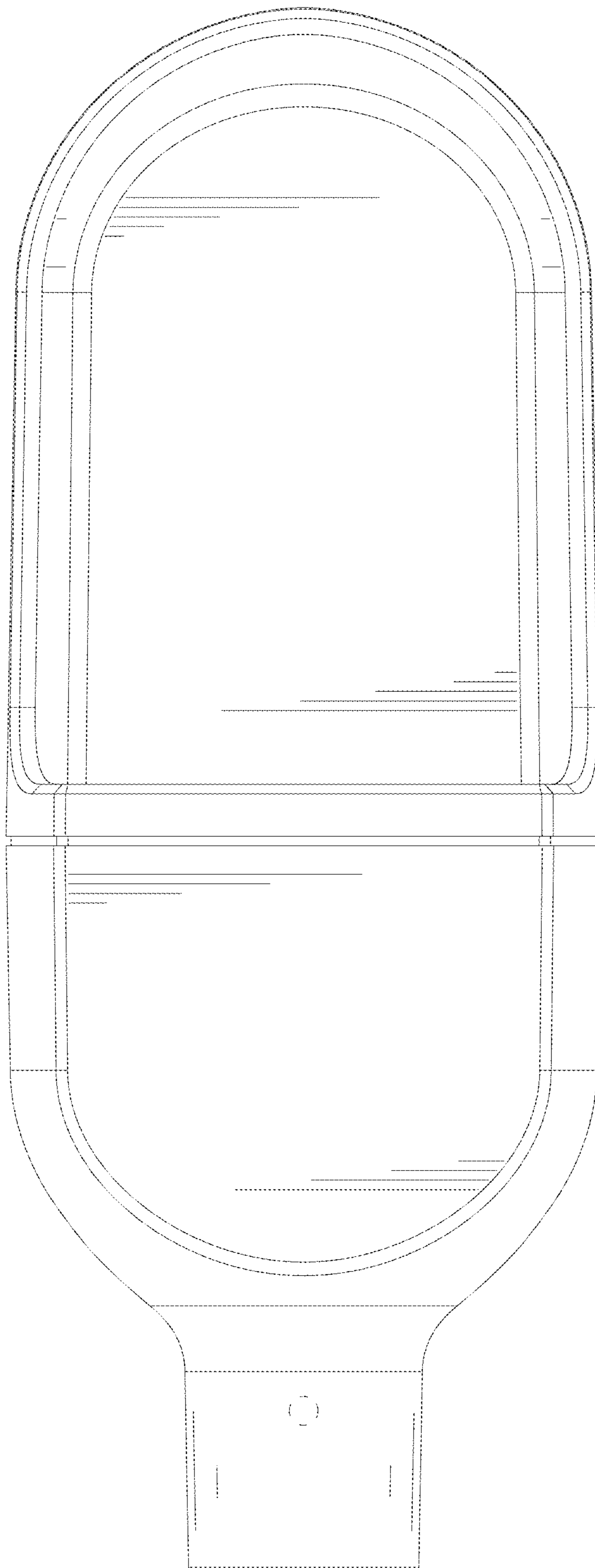


FIG. 3

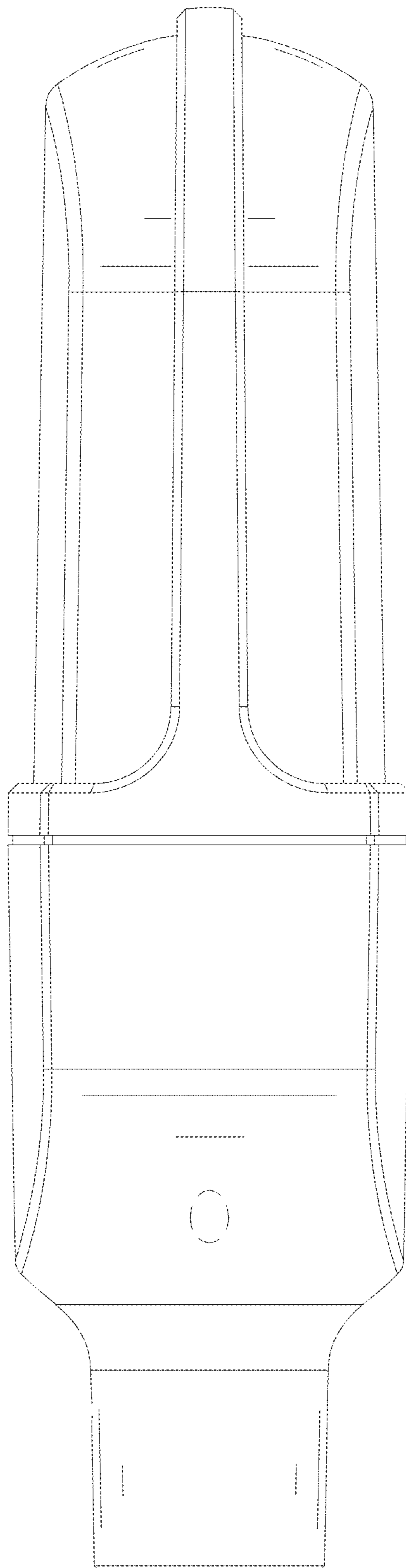


FIG.4

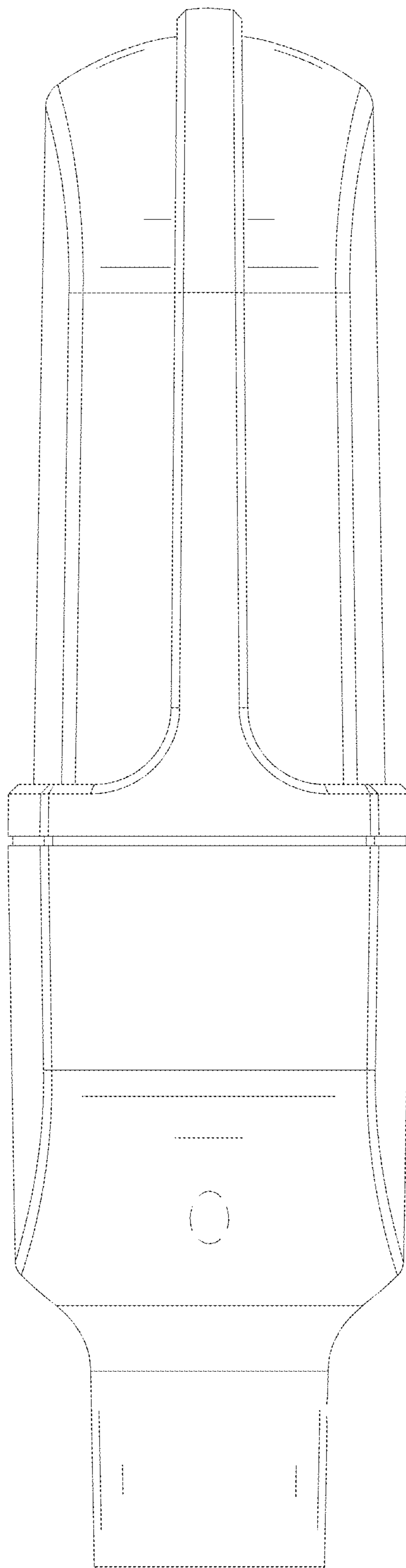


FIG.5

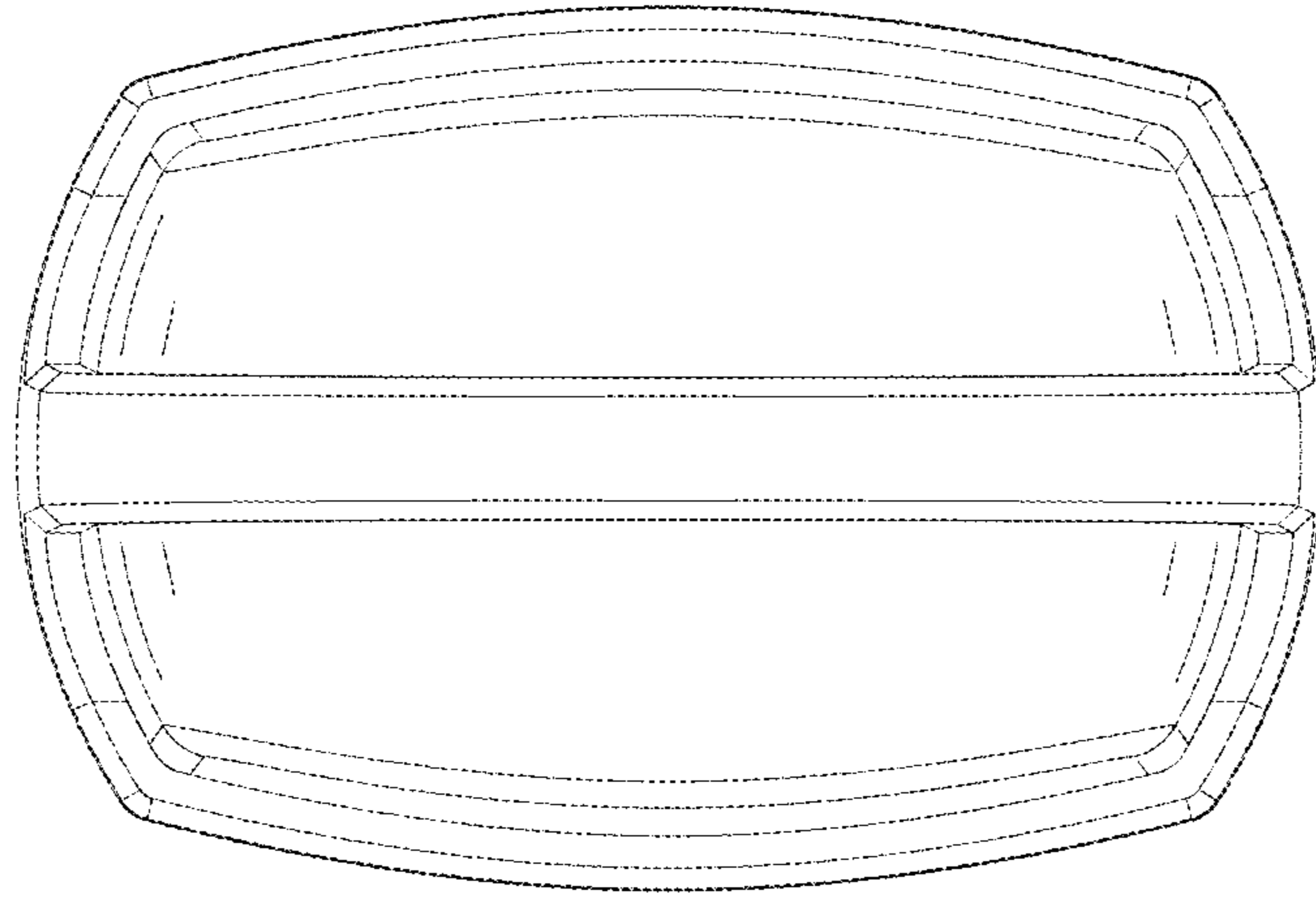


FIG.6



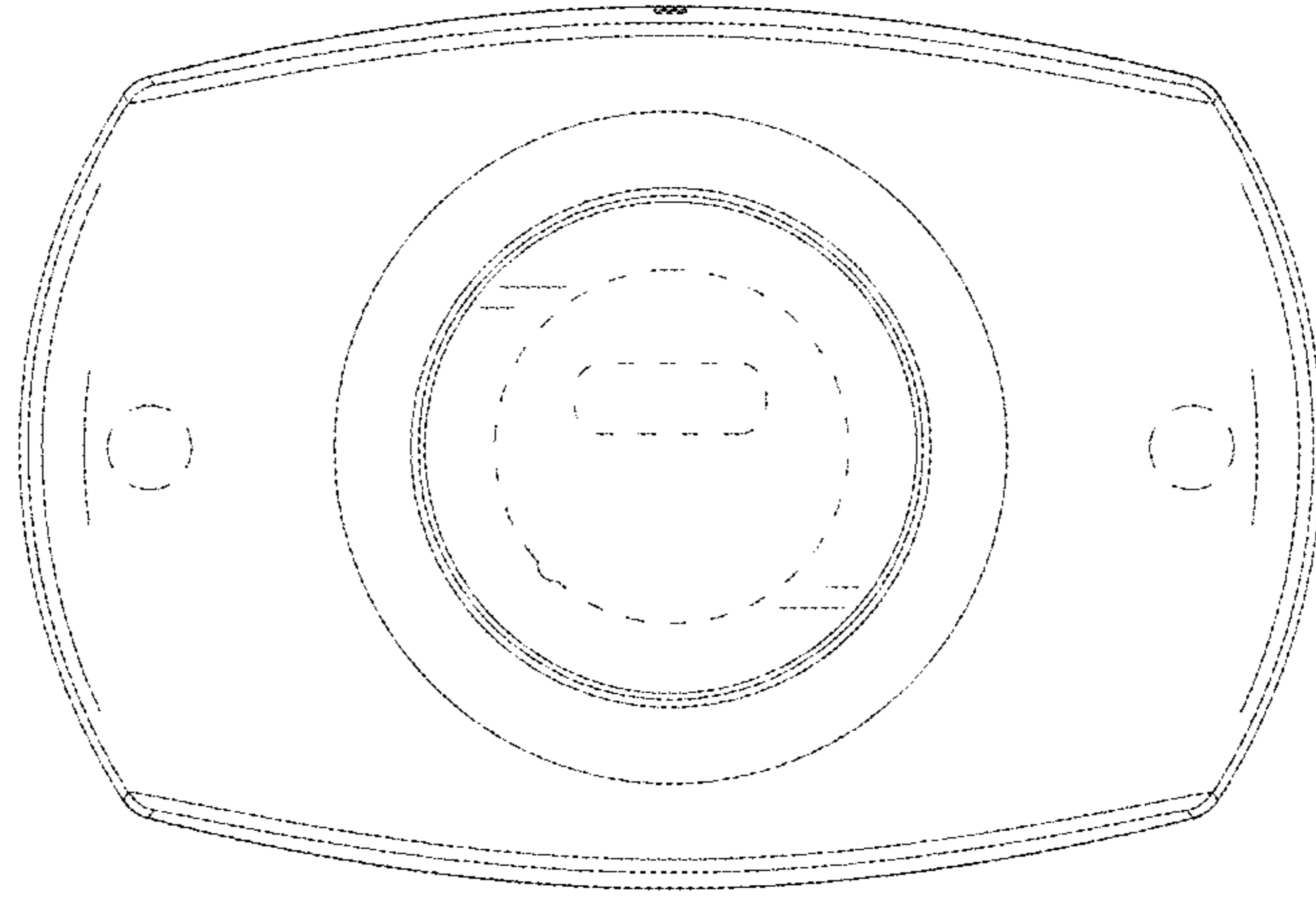


FIG.7