



US00D954684S

(12) **United States Design Patent**  
**Laffon de Mazieres et al.**

(10) **Patent No.:** **US D954,684 S**  
(45) **Date of Patent:** **\*\* Jun. 14, 2022**

(54) **EARBUD**

(71) Applicant: **Amazon Technologies, Inc.**, Seattle, WA (US)

(72) Inventors: **Emmanuel Laffon de Mazieres**, San Jose, CA (US); **Giles David Matthew McWilliam**, San Francisco, CA (US)

(73) Assignee: **Amazon Technologies, Inc.**, Seattle, WA (US)

(\*\*) Term: **15 Years**

(21) Appl. No.: **29/735,885**

(22) Filed: **May 26, 2020**

(51) **LOC (13) Cl.** ..... **14-01**

(52) **U.S. Cl.**  
USPC ..... **D14/223**

(58) **Field of Classification Search**  
USPC ..... D14/223, 205; D24/174; 128/864-866; 381/380, 381, 328, 322; 455/90.3, 575.1, 455/569.1  
CPC ..... H04R 1/10; H04R 25/00; H04R 25/02; H04R 1/1066; H04R 1/1016; H04R 5/033; H04R 5/0335; H04R 1/1083; H04R 1/1041; H04R 1/1058; H04R 1/1091

See application file for complete search history.

(56) **References Cited**

**U.S. PATENT DOCUMENTS**

- 4,702,238 A \* 10/1987 Scott ..... A61F 11/08 128/867
- D532,110 S \* 11/2006 Bailey ..... D24/174
- D576,610 S \* 9/2008 Johnson ..... D14/223
- D601,134 S \* 9/2009 Elabidi ..... D14/223
- D618,219 S \* 6/2010 Burgett ..... D14/223
- D621,817 S \* 8/2010 Brickstad ..... D14/223
- D622,265 S \* 8/2010 Rye ..... D14/223
- D622,704 S \* 8/2010 Fahrendorff ..... D14/223
- D622,705 S \* 8/2010 Fahrendorff ..... D14/223

- D628,188 S \* 11/2010 Koch ..... D14/205
- D628,990 S \* 12/2010 Pedersen ..... D14/223
- D632,282 S \* 2/2011 Kitayama ..... D14/223
- D638,398 S \* 5/2011 Morison ..... D14/205

(Continued)

**FOREIGN PATENT DOCUMENTS**

- CN 306686820 \* 7/2021
- CN 306695467 \* 7/2021

(Continued)

**OTHER PUBLICATIONS**

Chinese Office Action dated Mar. 16, 2021 for Chinese Design Patent Application No. 202030711034.8, a counterpart of Design U.S. Appl. No. 29/735,885, 1 page.

(Continued)

*Primary Examiner* — Paula Allen Greene

(74) *Attorney, Agent, or Firm* — Lee & Hayes, P.C.

(57) **CLAIM**

The ornamental design for an earbud, as shown and described.

**DESCRIPTION**

FIG. 1 is a front, right side perspective view of an earbud showing the new design, a mirror image earbud is evident from the earbud shown;

FIG. 2 is a front, left-side perspective view thereof;

FIG. 3 is a back, left-side perspective view thereof;

FIG. 4 is a front view thereof;

FIG. 5 is a back view thereof;

FIG. 6 is a left-side view thereof;

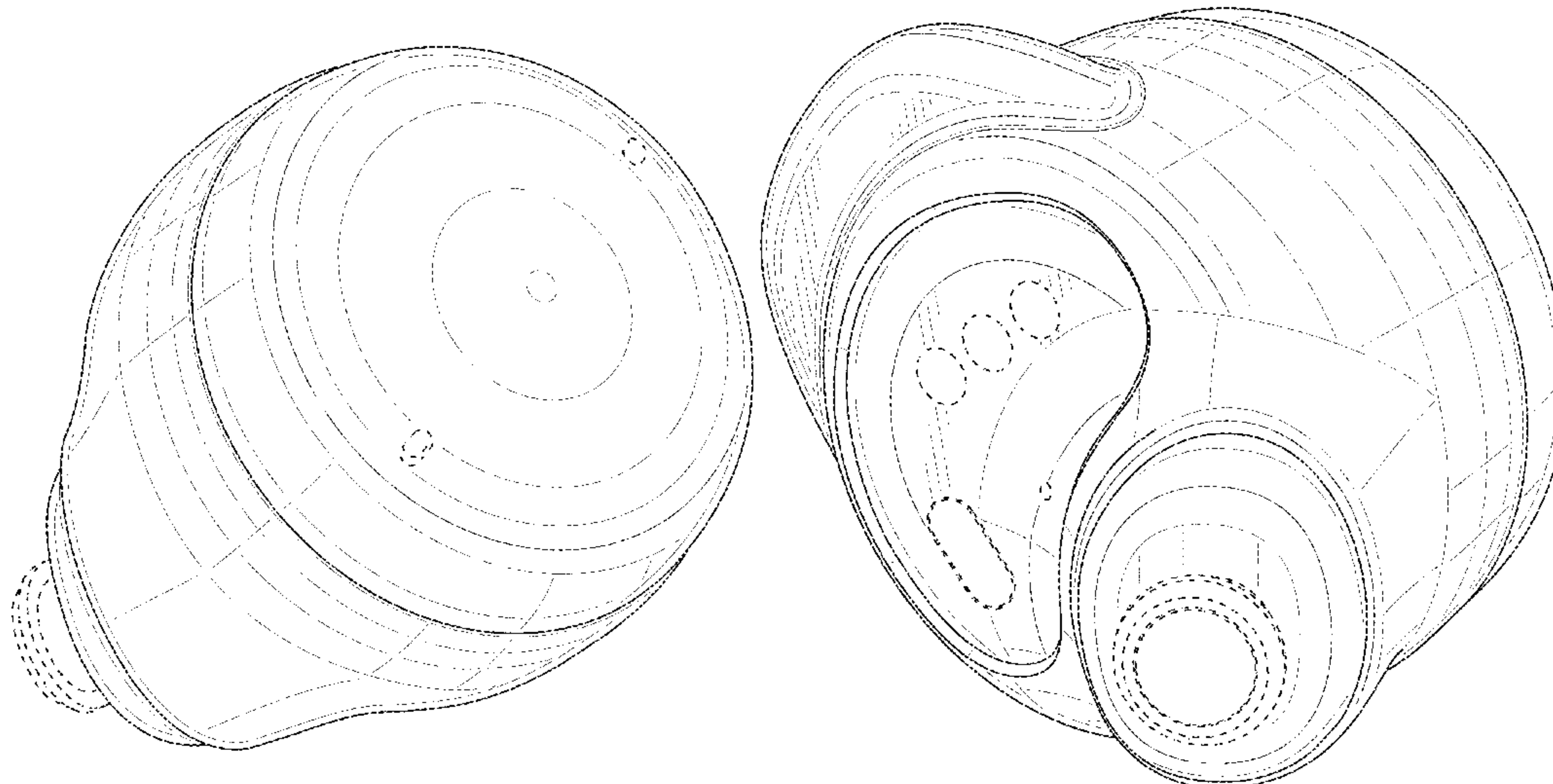
FIG. 7 is a right-side view thereof;

FIG. 8 is a top view thereof; and,

FIG. 9 is a bottom view thereof.

The dashed broken lines depict portions of the earbud that form no part of the claimed design.

**1 Claim, 9 Drawing Sheets**



(56)

References Cited

U.S. PATENT DOCUMENTS

7,965,855 B1 \* 6/2011 Ham ..... H04R 1/1091  
 381/328  
 D644,212 S \* 8/2011 Quek ..... D14/223  
 D644,213 S \* 8/2011 Quek ..... D14/223  
 D645,458 S \* 9/2011 Silvestri ..... H04R 1/1016  
 D14/223  
 8,111,864 B2 \* 2/2012 Oliveira ..... H04R 1/1058  
 381/328  
 8,311,253 B2 \* 11/2012 Silvestri ..... H04R 1/1075  
 381/381  
 D678,868 S \* 3/2013 Feng ..... D14/223  
 8,406,448 B2 \* 3/2013 Lin ..... H04R 1/1091  
 381/370  
 D705,757 S \* 5/2014 Yashiro ..... H04R 1/10  
 D14/223  
 D712,880 S \* 9/2014 Lin ..... D14/223  
 D714,260 S \* 9/2014 Han ..... D14/223  
 D716,770 S \* 11/2014 Bonahoom ..... D14/223  
 D728,532 S \* 5/2015 Kurtz ..... D14/223  
 D742,362 S \* 11/2015 Bonahoom ..... D14/223  
 D744,456 S \* 12/2015 Pedersen ..... D14/223  
 D779,461 S \* 2/2017 Smith ..... D14/223  
 D805,060 S \* 12/2017 Loermann ..... D14/223  
 D814,443 S \* 4/2018 Sandanger ..... H04R 1/1083  
 D24/174  
 D825,533 S \* 8/2018 Paschke ..... D14/223  
 D841,626 S \* 2/2019 Tang ..... D14/223  
 D843,352 S \* 3/2019 Lee ..... D14/223  
 D843,354 S \* 3/2019 Kumano ..... D14/223  
 D852,782 S \* 7/2019 Bergman ..... D14/223  
 D866,530 S \* 11/2019 Birger ..... D14/223  
 D868,752 S \* 12/2019 Zhu ..... D14/223  
 D869,444 S \* 12/2019 Tang ..... D14/223  
 D870,079 S \* 12/2019 Yun ..... D14/223  
 D870,708 S \* 12/2019 Lindenberger ..... D14/223  
 D871,376 S \* 12/2019 Zhou ..... D14/223  
 D872,064 S \* 1/2020 Cai ..... D14/223  
 D873,248 S \* 1/2020 Weicheng ..... D14/223  
 D873,805 S \* 1/2020 Yang ..... D14/223  
 D876,398 S \* 2/2020 Cai ..... D14/223  
 D877,720 S \* 3/2020 Madramotoo ..... D14/223  
 D883,262 S \* 5/2020 Wu ..... D14/223  
 10,692,482 B2 \* 6/2020 Zhu ..... G10K 11/17815  
 D892,085 S \* 8/2020 Kim ..... D14/223  
 D895,581 S \* 9/2020 Wu ..... D14/223  
 D896,205 S \* 9/2020 Zhang ..... D14/223

D900,064 S \* 10/2020 Laffon de Mazieres .... D14/223  
 D902,182 S \* 11/2020 Wang ..... D14/223  
 D902,185 S \* 11/2020 Xian ..... D14/223  
 D902,890 S \* 11/2020 Williamson ..... D14/223  
 10,827,249 B1 \* 11/2020 Pine ..... H04R 1/1041  
 D904,350 S \* 12/2020 Zhou ..... D14/223  
 D905,664 S \* 12/2020 He ..... D14/223  
 D910,602 S \* 2/2021 Feng ..... D14/223  
 D923,610 S \* 6/2021 Bonahoom ..... D14/223  
 D924,848 S \* 7/2021 Yang ..... D14/223  
 D925,497 S \* 7/2021 Laffon de Mazieres .... D14/223  
 D928,122 S \* 8/2021 Yoshida ..... D14/223  
 D928,124 S \* 8/2021 Liu ..... D14/223  
 D930,620 S \* 9/2021 Lindenberger ..... D14/223  
 D941,278 S \* 1/2022 Laffon de Mazieres .... D14/223  
 2005/0147269 A1 \* 7/2005 Oliveira ..... H04R 1/1058  
 381/327  
 2011/0155147 A1 \* 6/2011 McIntosh ..... H04R 1/1083  
 128/864  
 2012/0039501 A1 \* 2/2012 Silvestri ..... H04R 1/1075  
 381/380  
 2012/0114160 A1 \* 5/2012 Lin ..... H04R 1/1091  
 381/380  
 2017/0094384 A1 \* 3/2017 Trainer ..... H04R 1/105  
 2018/0338194 A1 \* 11/2018 Yu ..... H04R 1/105  
 2019/0208307 A1 \* 7/2019 Ogut ..... H04R 25/652  
 2019/0215595 A1 \* 7/2019 Beaudoin ..... H04R 1/1058  
 2020/0374632 A1 \* 11/2020 Wang ..... H04M 1/6066  
 2021/0298657 A1 \* 9/2021 Won ..... A61B 5/1126  
 2021/0409858 A1 \* 12/2021 Sandanger ..... H04R 25/652

FOREIGN PATENT DOCUMENTS

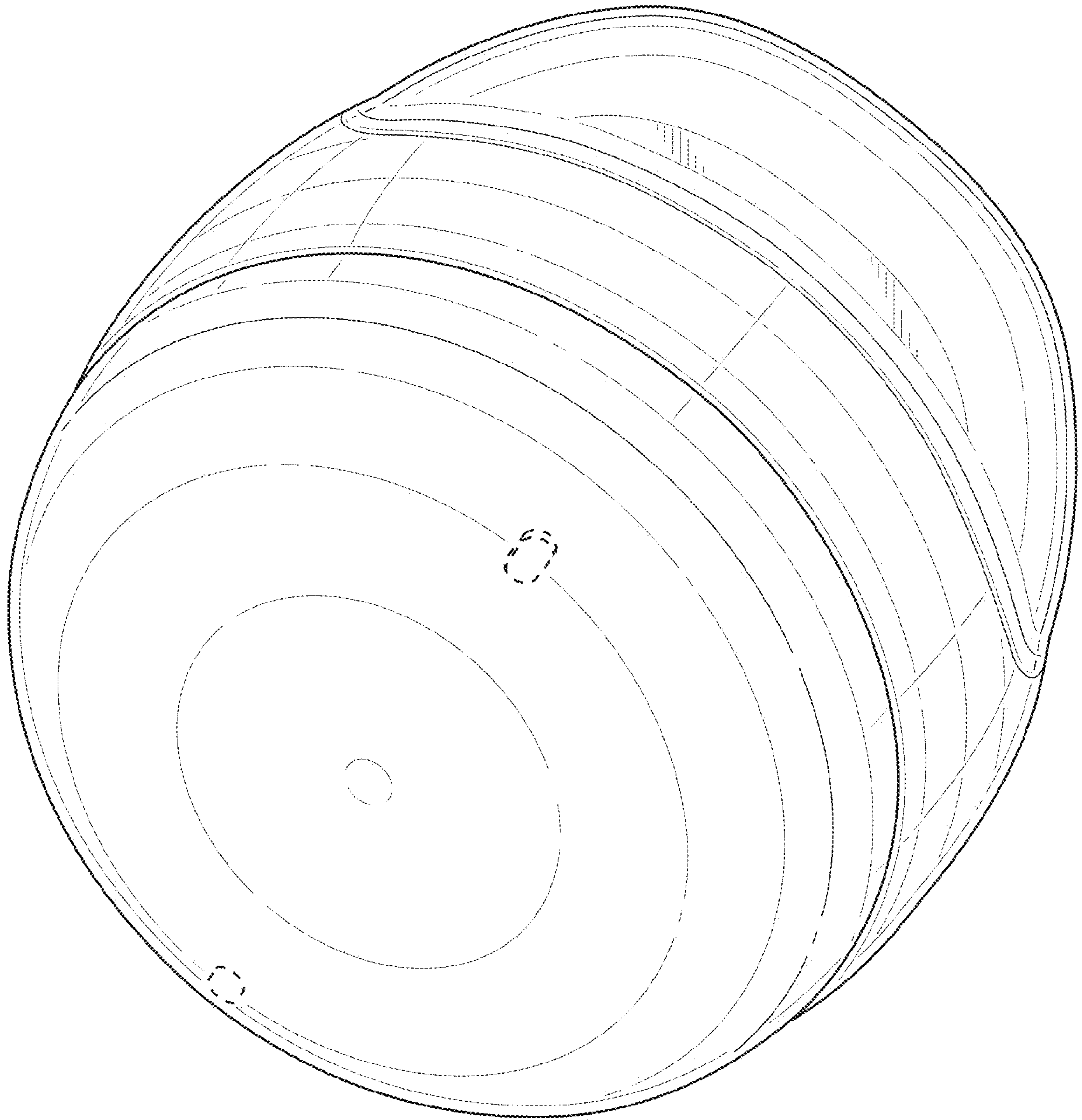
CN 306794551 \* 8/2021  
 CN 307082674 \* 1/2022  
 CN 307090881 \* 2/2022  
 WO D217051-001 \* 8/2021

OTHER PUBLICATIONS

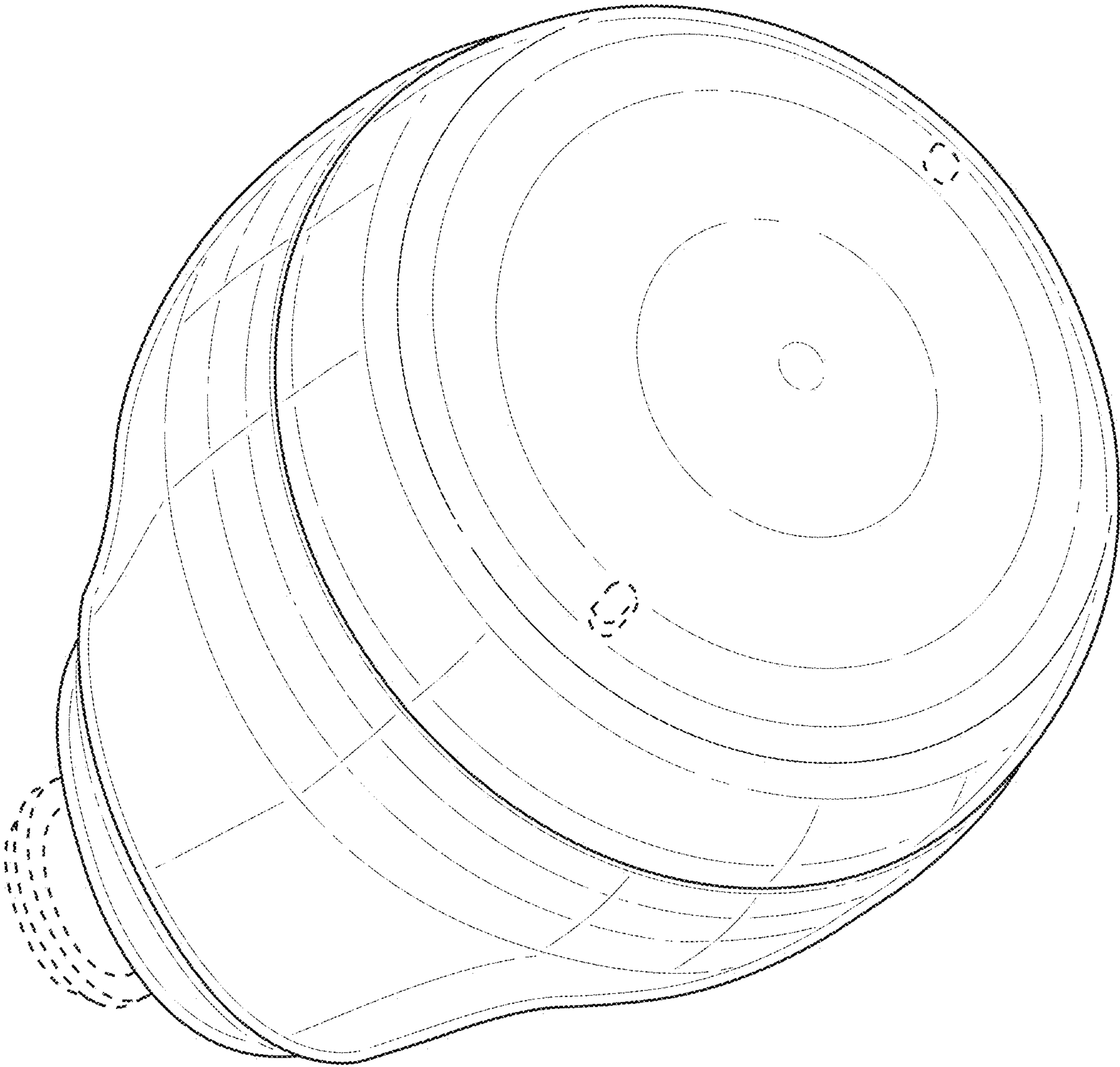
Korean Office Action dated Sep. 10, 2021 for Korean Patent Application 30-2020-57285, a foreign counterpart to US Patent No. , 2 pages.  
 Korean Office Action dated Sep. 10, 2021 for Korean Patent Application 30-2020-57286, a foreign counterpart to U.S. Appl. No. 29/735,885, 2 pages.

\* cited by examiner

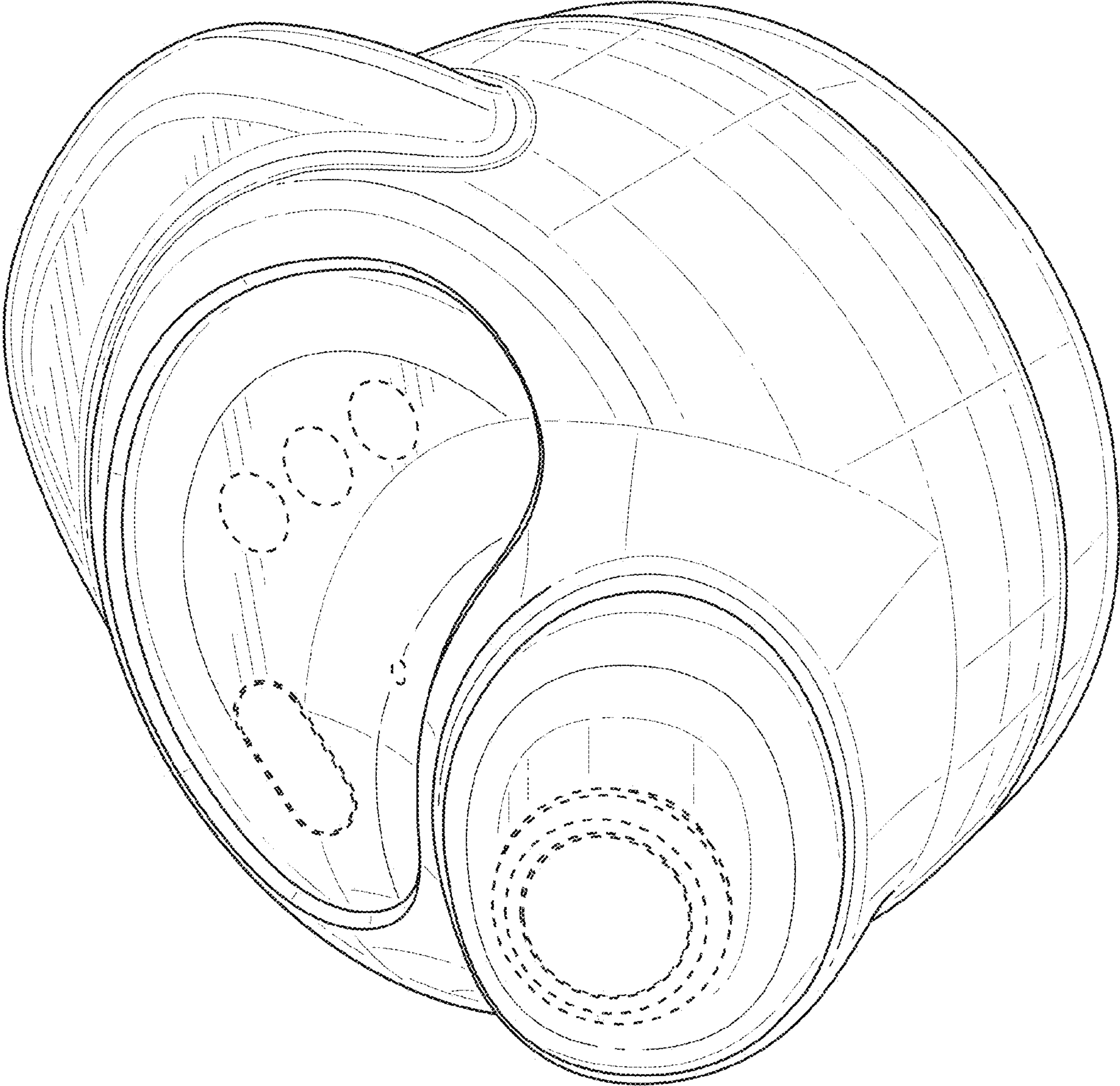




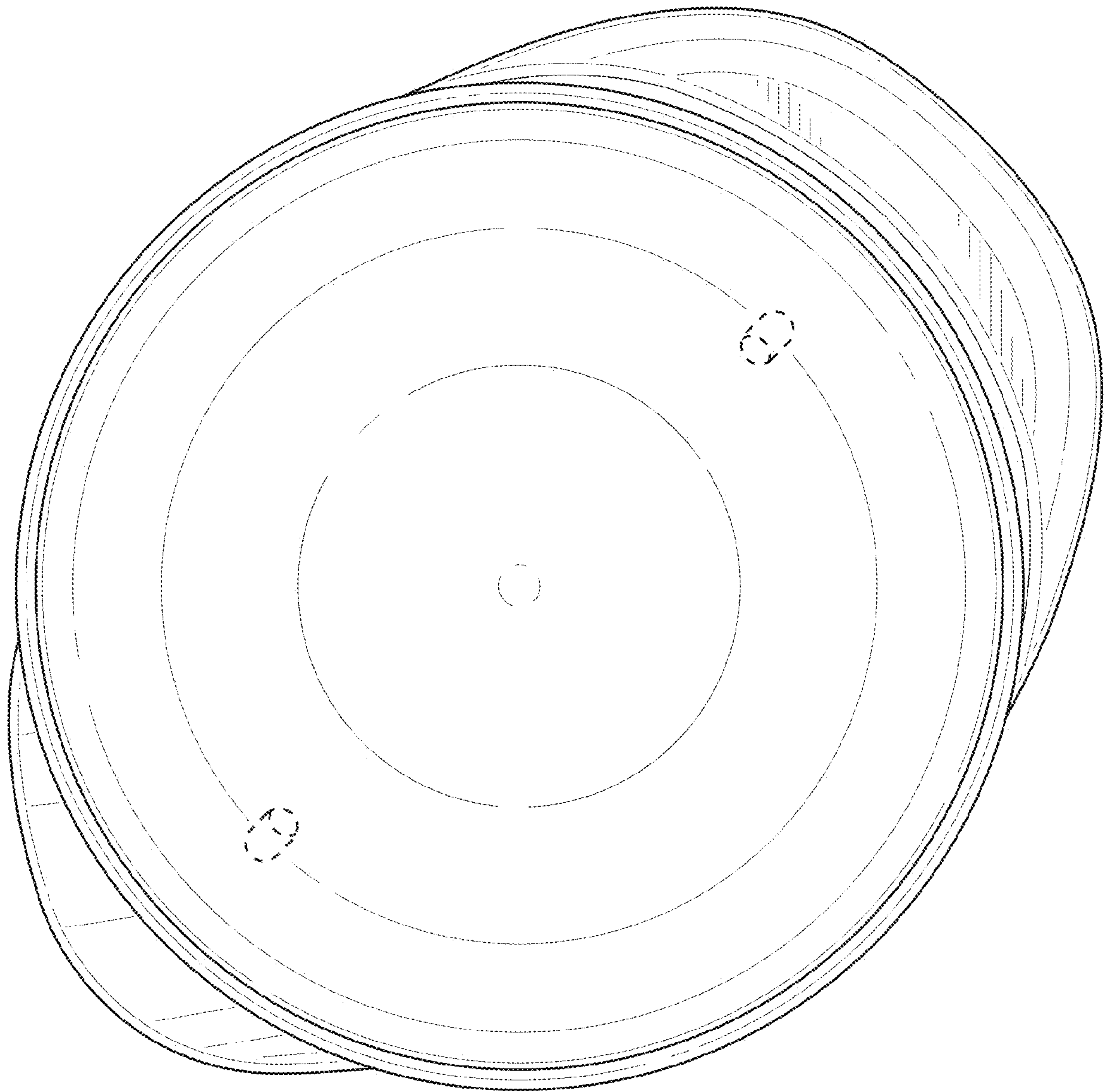
**FIG. 1**



**FIG. 2**

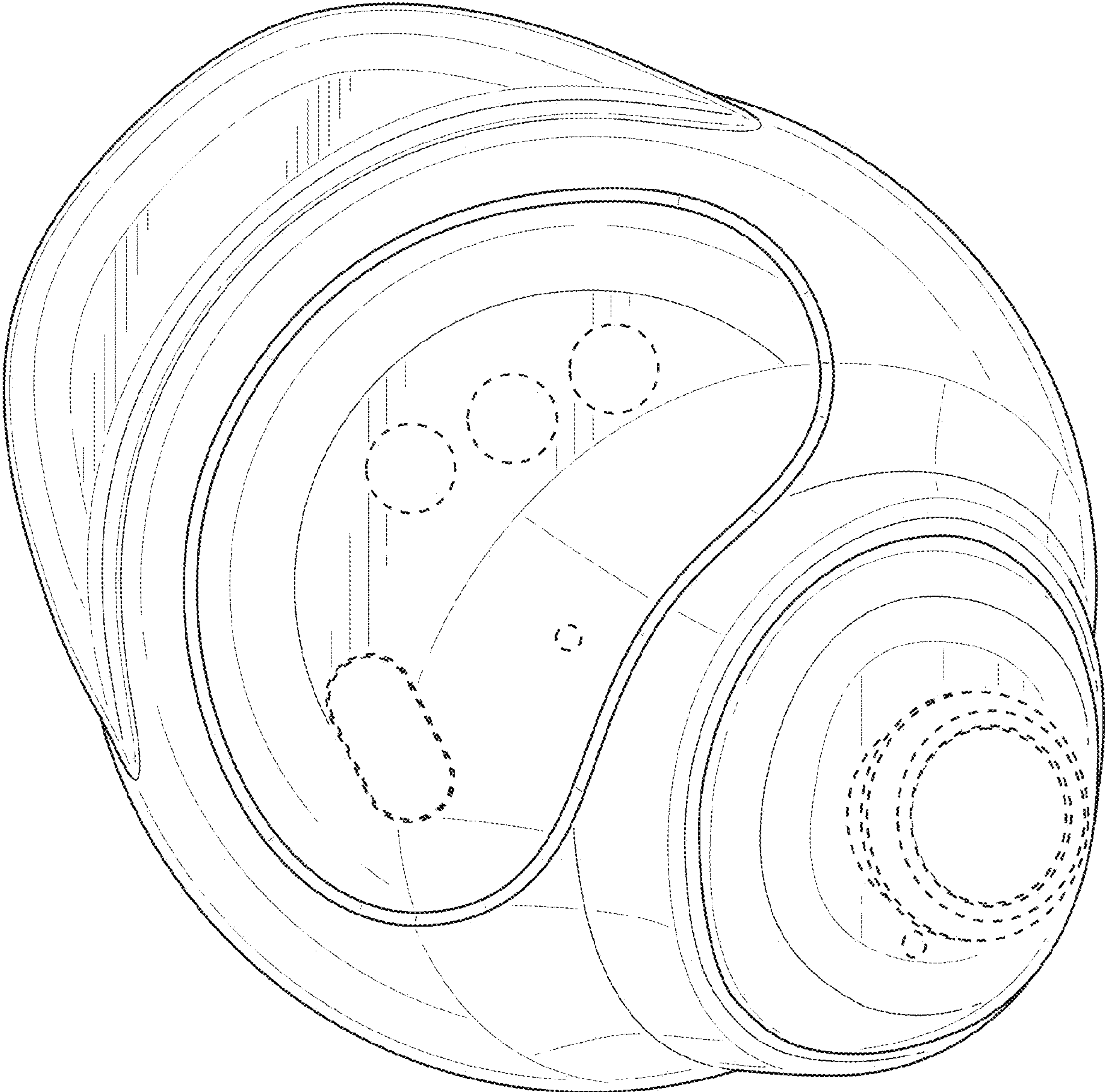


**FIG. 3**

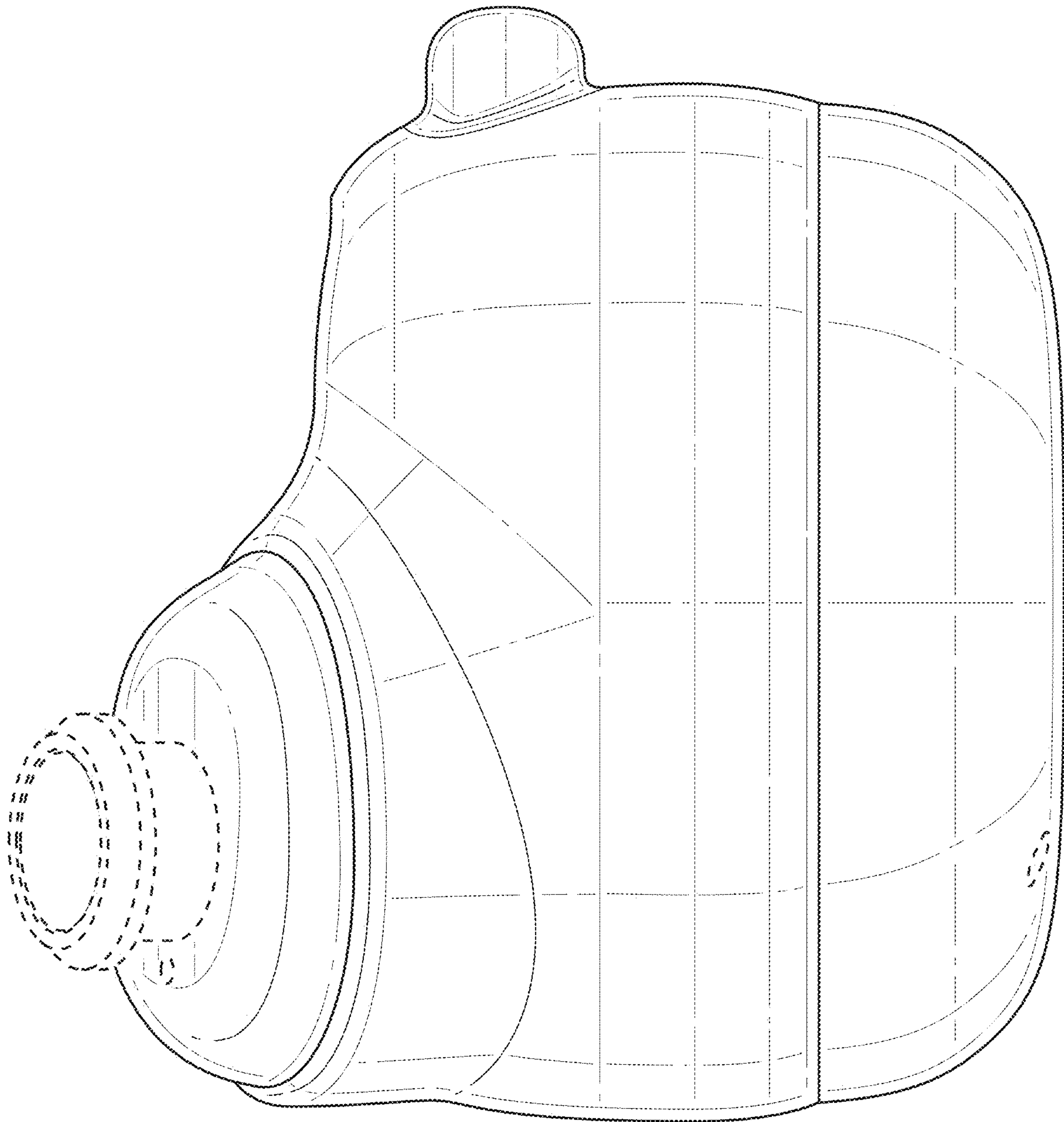


**FIG. 4**



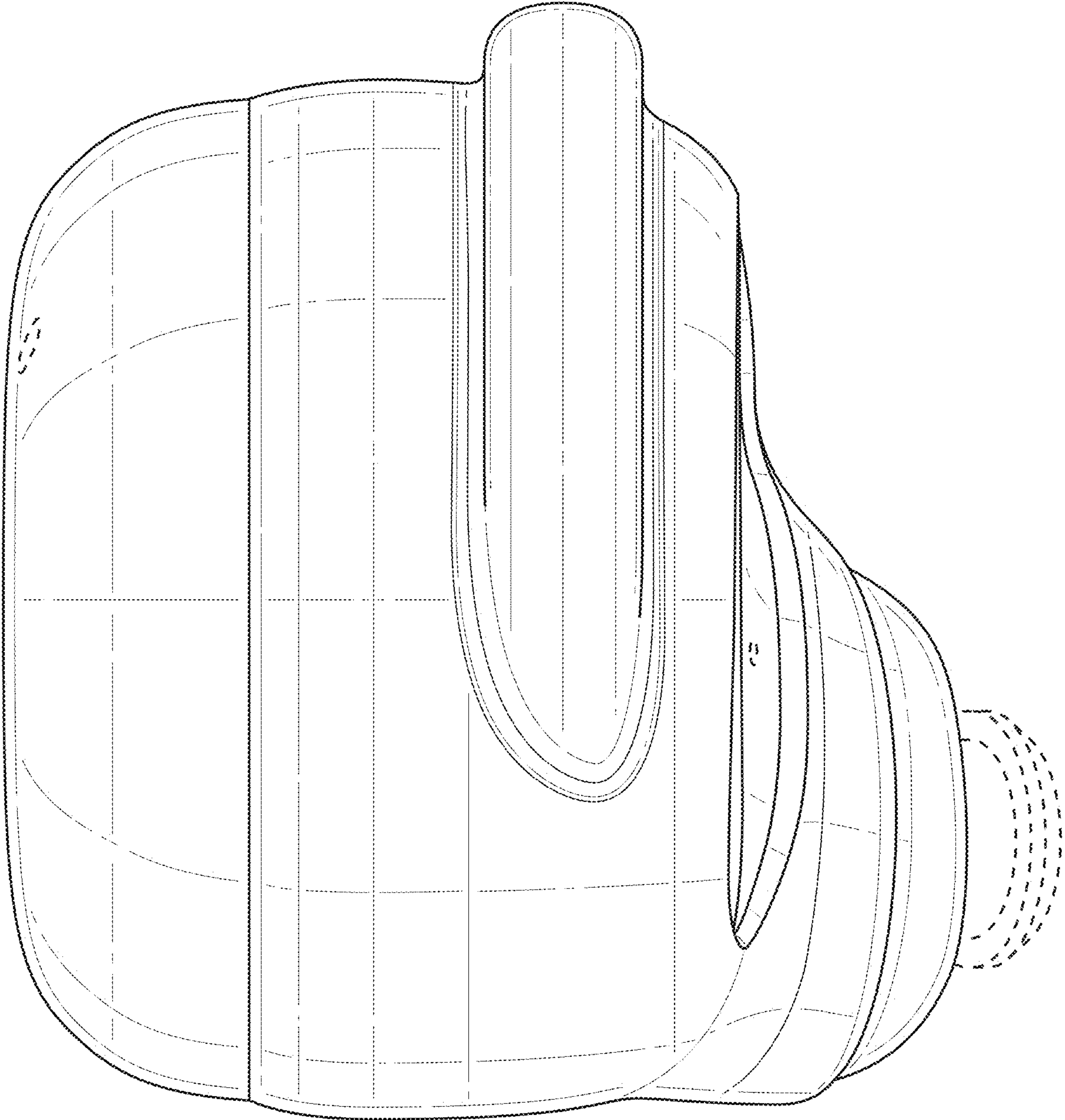


**FIG. 5**

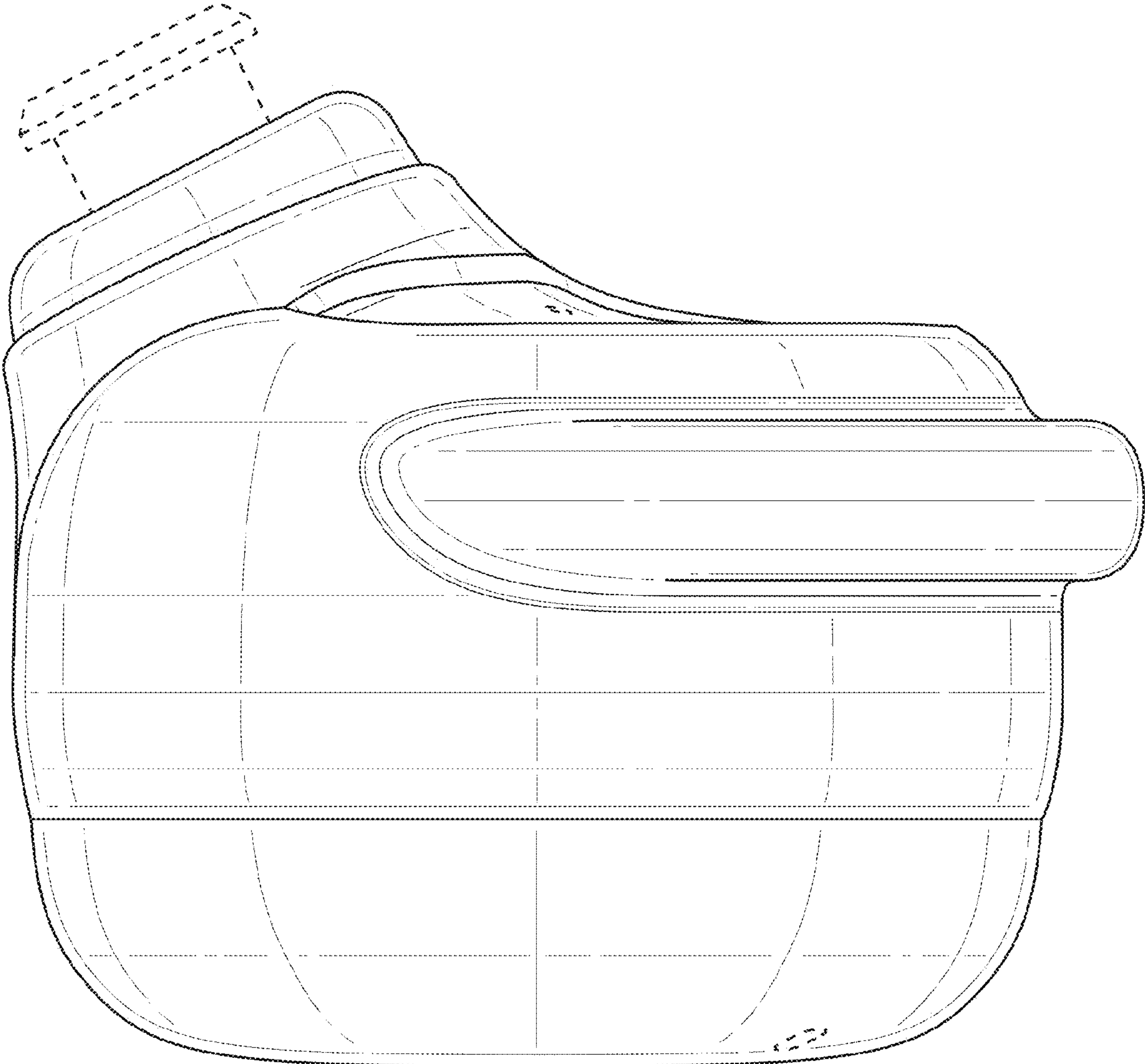


**FIG. 6**

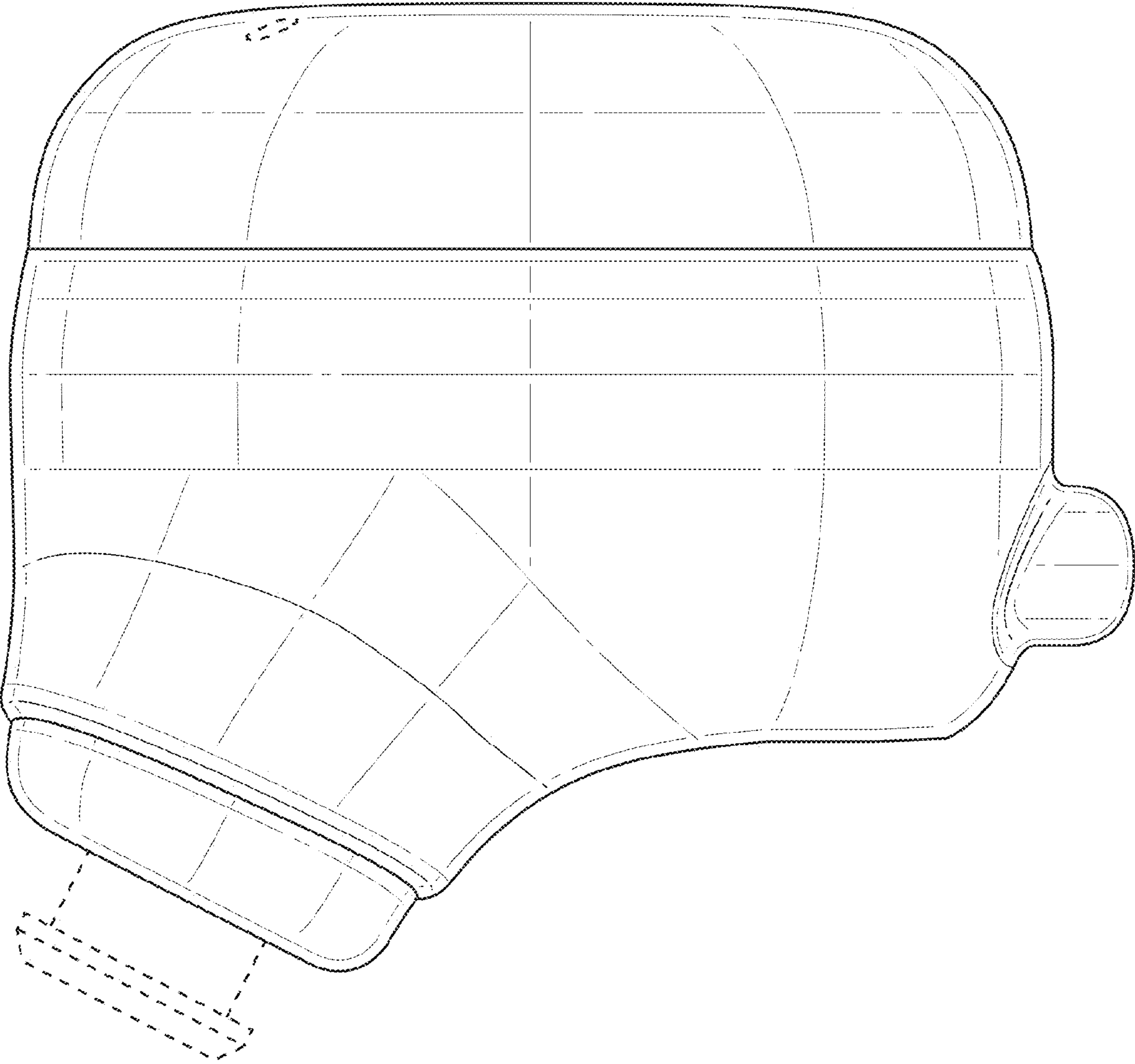




**FIG. 7**



**FIG. 8**



**FIG. 9**