



US00D954680S

(12) **United States Design Patent**  
**Kirkland**

(10) **Patent No.:** **US D954,680 S**  
(45) **Date of Patent:** **\*\* Jun. 14, 2022**

- (54) **SPEAKER ENCLOSURE**
- (71) Applicant: **Gerald Kirkland**, Kaufman, TX (US)
- (72) Inventor: **Gerald Kirkland**, Kaufman, TX (US)
- (\*\*) Term: **15 Years**
- (21) Appl. No.: **29/705,990**
- (22) Filed: **Sep. 17, 2019**

- D376,363 S \* 12/1996 Oberbillig ..... D14/214
- D519,986 S \* 5/2006 Kamimura ..... D14/214
- D650,358 S \* 12/2011 Chen ..... H04R 1/2819  
D14/215
- D675,192 S \* 1/2013 Chen ..... D14/215
- D760,194 S \* 6/2016 Kaplan ..... D14/215

(Continued)

*Primary Examiner* — Keli L Hill  
(74) *Attorney, Agent, or Firm* — William Lovin & Associates LLC; William R. Lovin

**Related U.S. Application Data**

- (63) Continuation-in-part of application No. 29/699,297, filed on Jul. 24, 2019, now abandoned.
- (51) **LOC (13) Cl.** ..... **14-01**
- (52) **U.S. Cl.**  
USPC ..... **D14/215**
- (58) **Field of Classification Search**  
USPC ..... D14/167, 168, 170–172, 188, 194–196,  
D14/204, 209.1, 210–216, 219, 221, 222,  
D14/224, 239, 496  
CPC ..... B60R 11/0217; G06F 1/1688; G10K 9/22;  
G10K 11/004; H03F 1/327; H04M 1/03;  
H04M 1/035; H04N 5/642; H04N  
21/4852; H04R 1/02; H04R 1/06; H04R  
1/021; H04R 1/025; H04R 1/026; H04R  
1/28; H04R 1/105; H04R 1/323; H04R  
1/403; H04R 1/2803; H04R 1/2834;  
H04R 5/02; H04R 7/20; H04R 9/06;  
H04R 9/025; H04R 2201/021; H04R  
2400/00; H04R 2400/07; H04R 2499/11;  
H04R 2499/13; H04R 2499/15; H04S  
3/00; H04S 7/30  
See application file for complete search history.

(56) **References Cited**

**U.S. PATENT DOCUMENTS**

- 4,235,301 A \* 11/1980 Mitchell ..... H04R 1/2819  
181/152
- D319,239 S \* 8/1991 Kovner ..... D14/204

(57) **CLAIM**

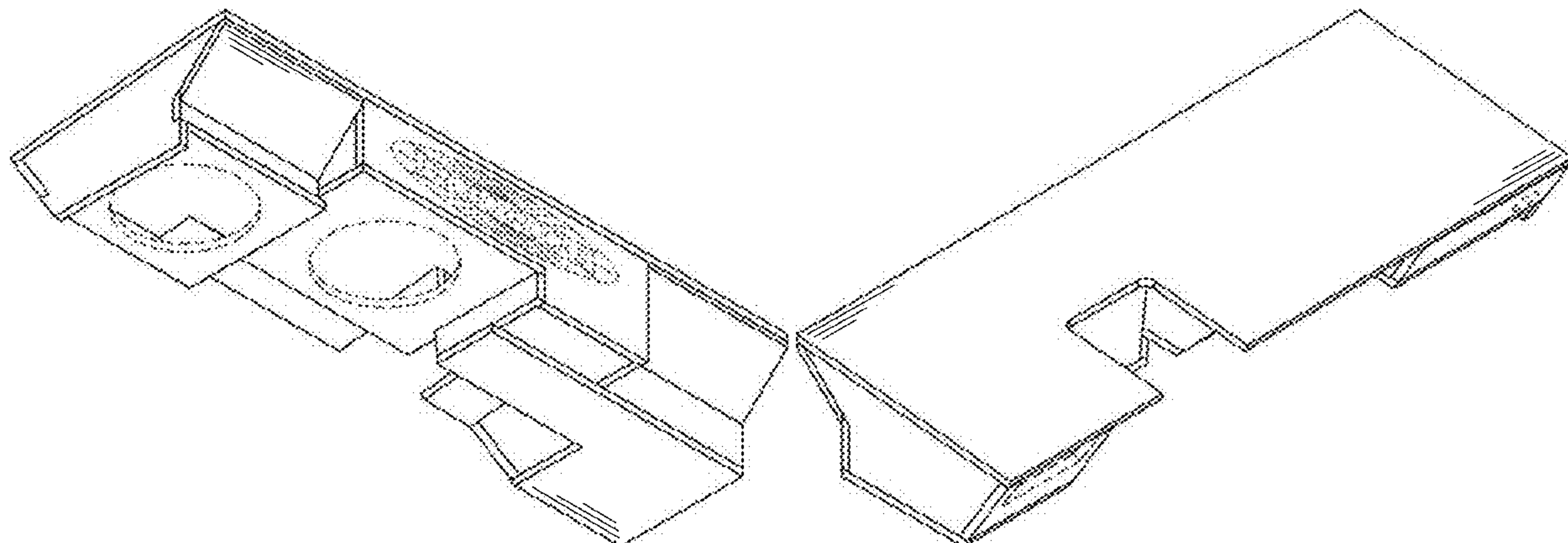
What is claimed is the ornamental design for a speaker enclosure, substantially as shown and described.

**DESCRIPTION**

FIG. 1 is a top, front, left side perspective view of a speaker enclosure in accordance with the present invention;  
 FIG. 2 is a top, front, right side perspective view thereof;  
 FIG. 3 is a bottom, front, left side perspective view thereof;  
 FIG. 4 is a bottom, front, right side perspective view thereof;  
 FIG. 5 is a top, rear, right side perspective view thereof;  
 FIG. 6 is a top, rear, left side perspective view thereof;  
 FIG. 7 is a bottom, rear, left side perspective view thereof;  
 FIG. 8 is a bottom, rear, right side perspective view thereof;  
 FIG. 9 is a top plan view, thereof;  
 FIG. 10 is a bottom plan view, thereof;  
 FIG. 11 is a left side elevation view, thereof;  
 FIG. 12 is a right side elevation view, thereof;  
 FIG. 13 is a front elevation view, thereof; and,  
 FIG. 14 is a rear elevation view, thereof.

The broken lines shown are included for the purpose of illustrating portions of the speaker enclosure that form no part of the claim.

**1 Claim, 6 Drawing Sheets**



(56)

**References Cited**

U.S. PATENT DOCUMENTS

D784,293	S	*	4/2017	Kirkland	.....	D14/214
D797,077	S	*	9/2017	Kirkland	.....	D14/214
D828,338	S	*	9/2018	Moster	.....	D14/221
D832,235	S	*	10/2018	Noedinger	.....	D14/210
D888,016	S	*	6/2020	Kaplan	.....	D14/215
D929,959	S	*	9/2021	Kirkland	.....	D14/214

\* cited by examiner

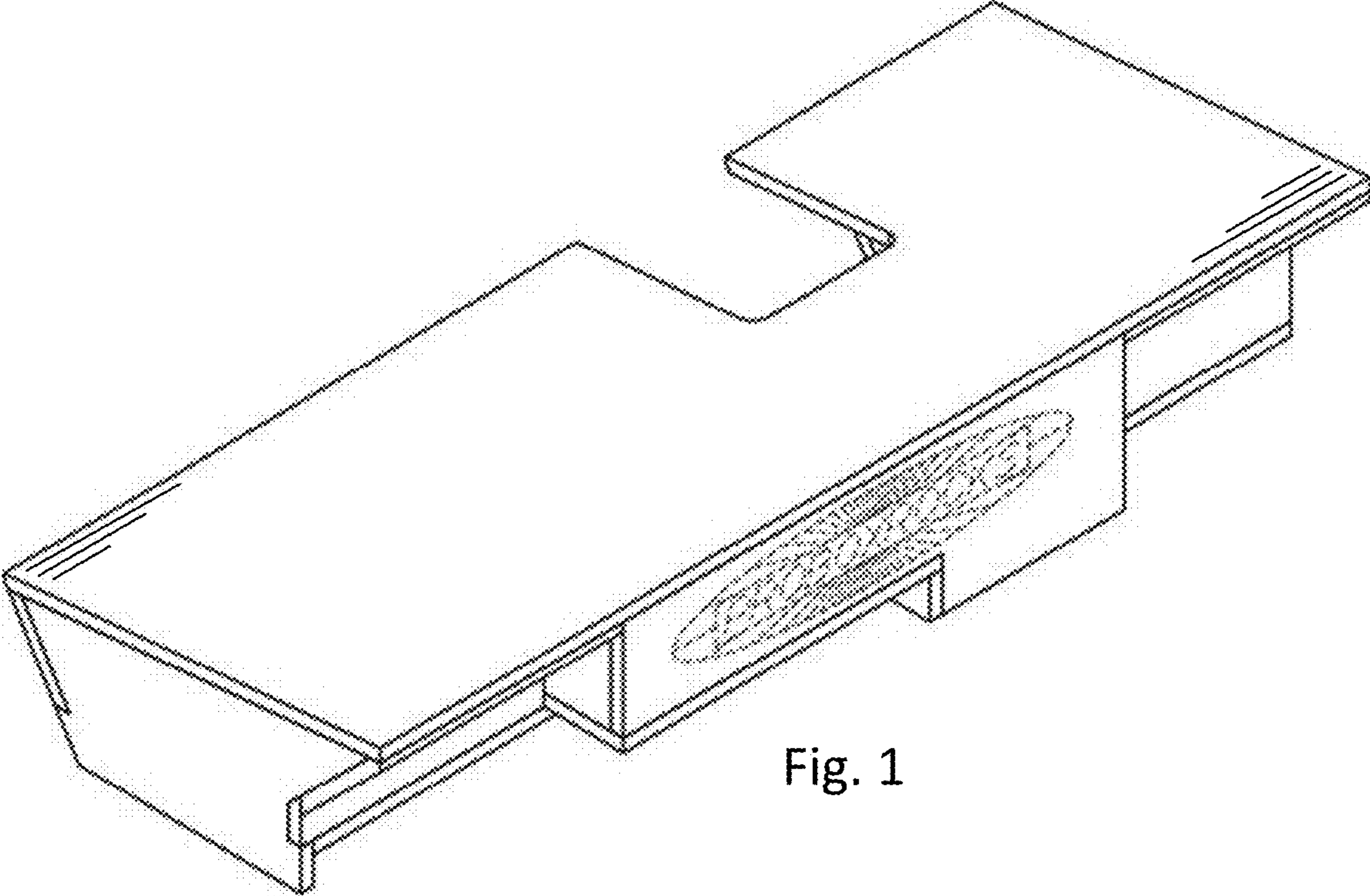


Fig. 1

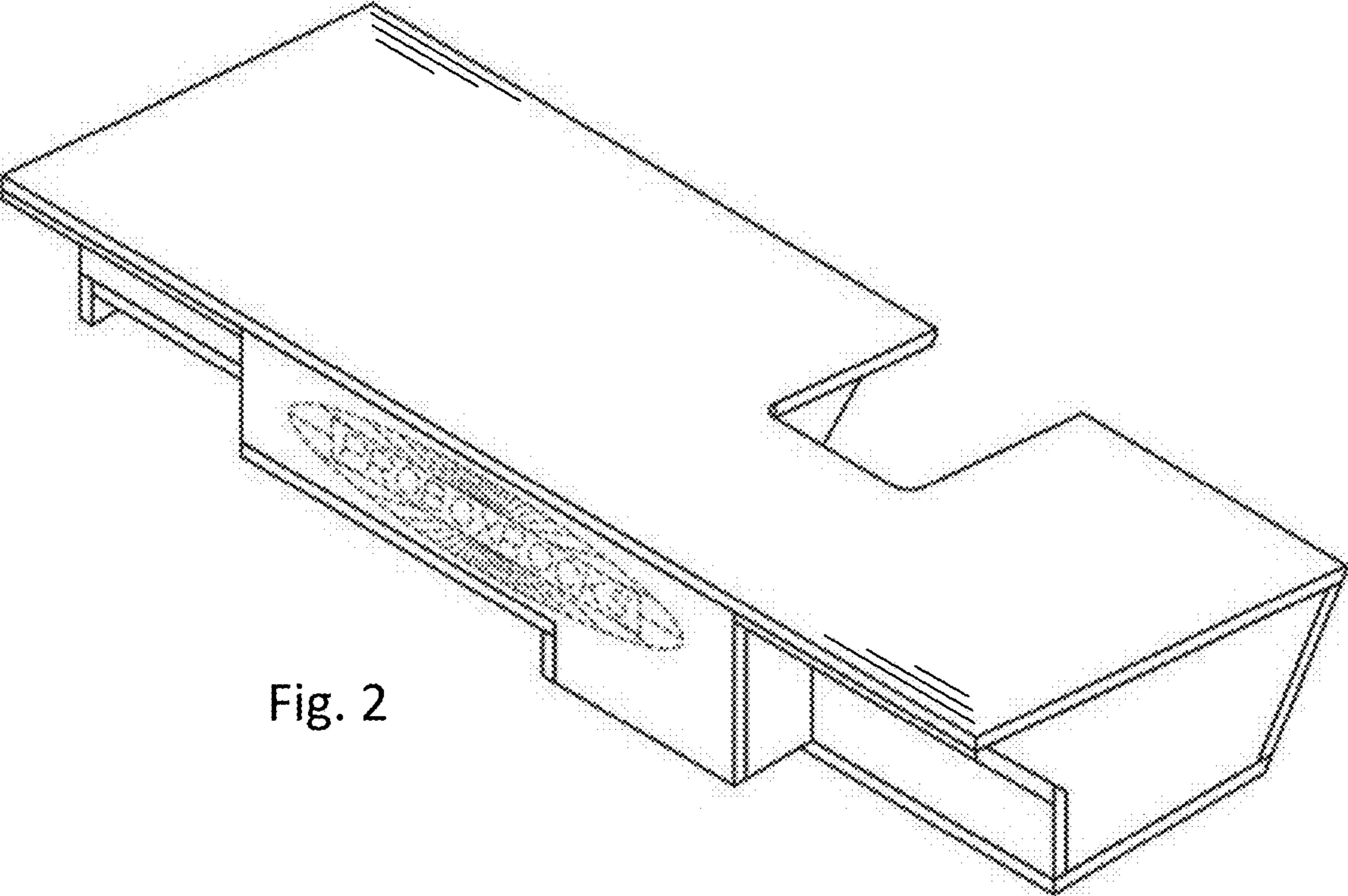


Fig. 2



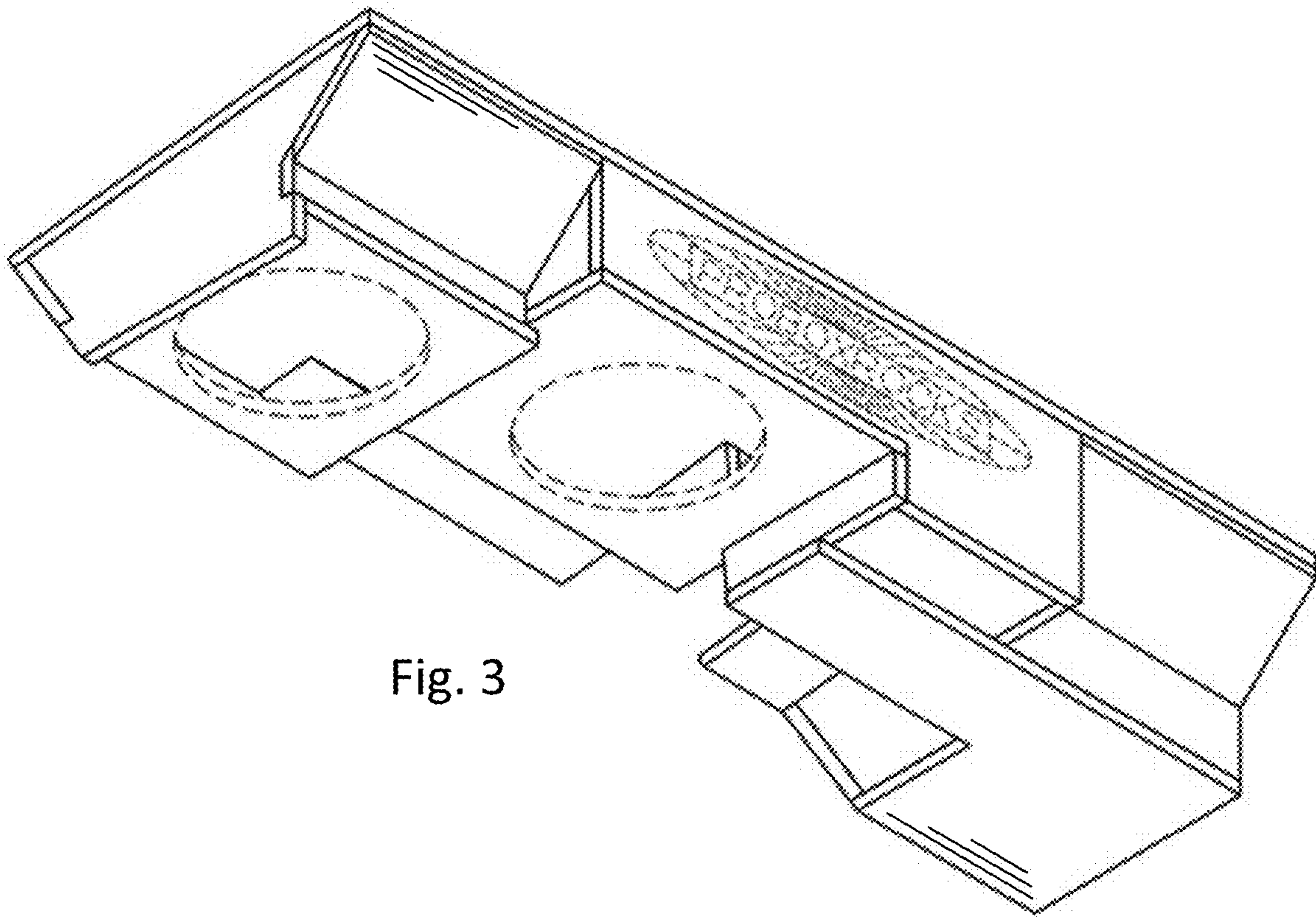


Fig. 3

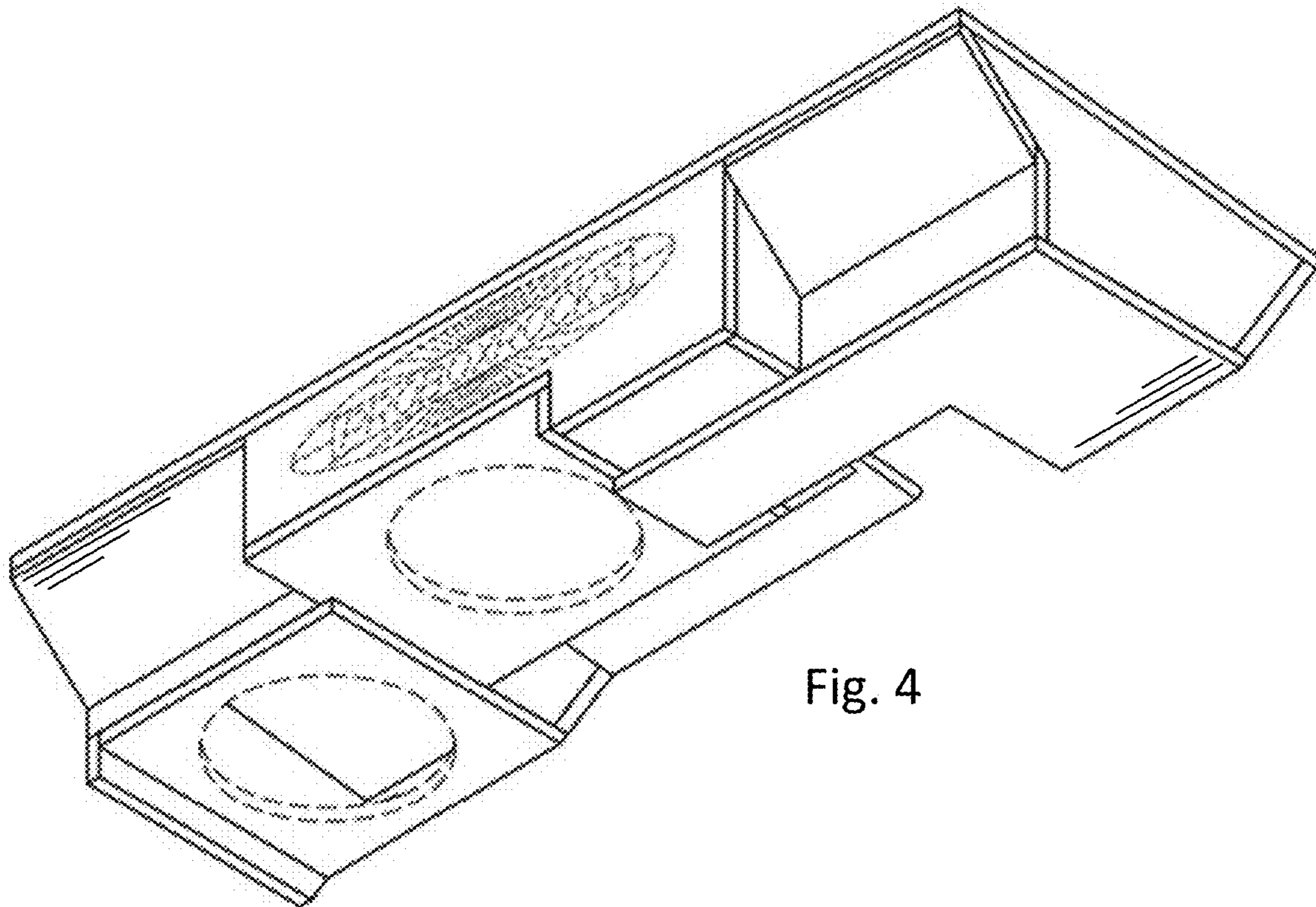


Fig. 4

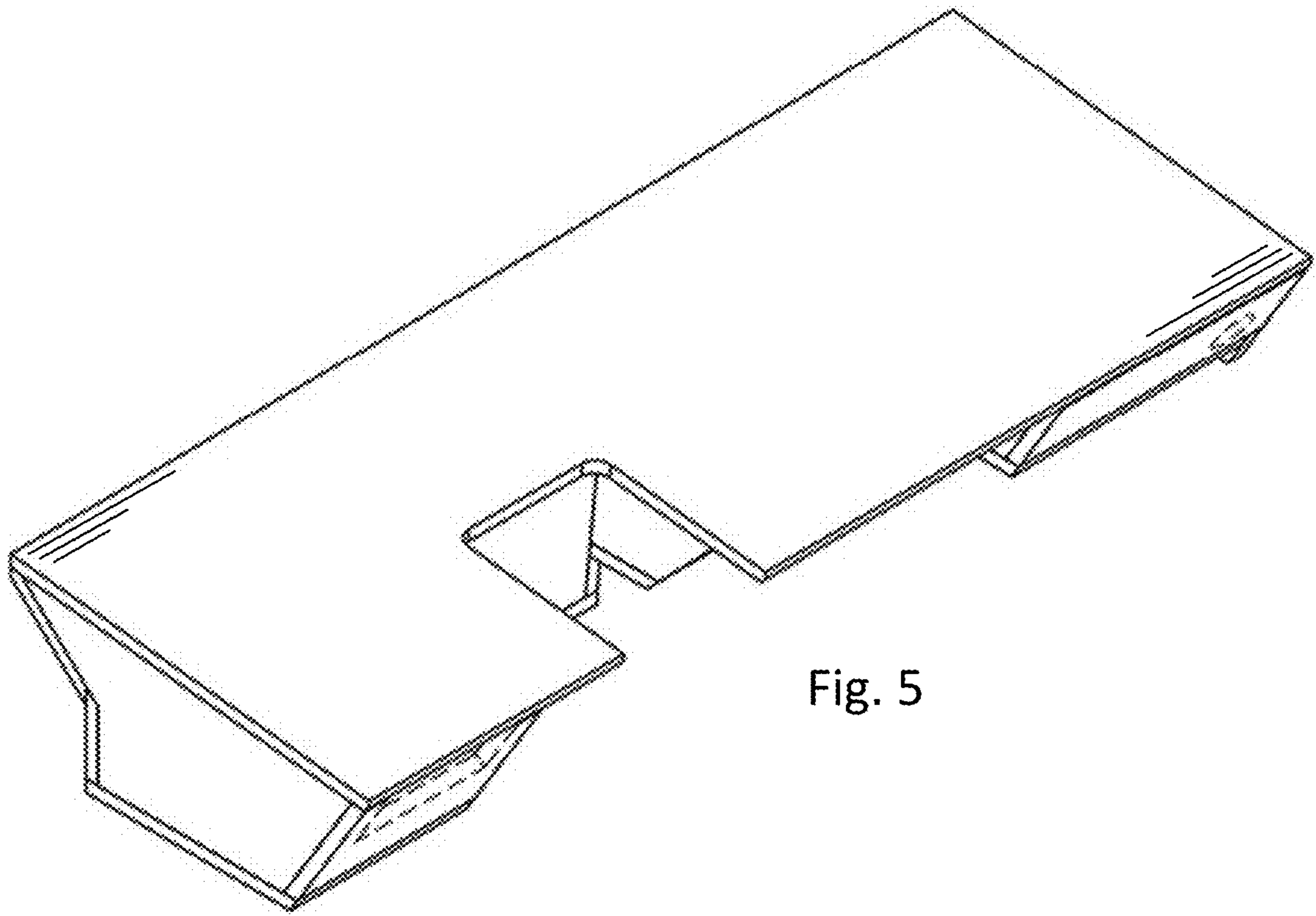


Fig. 5

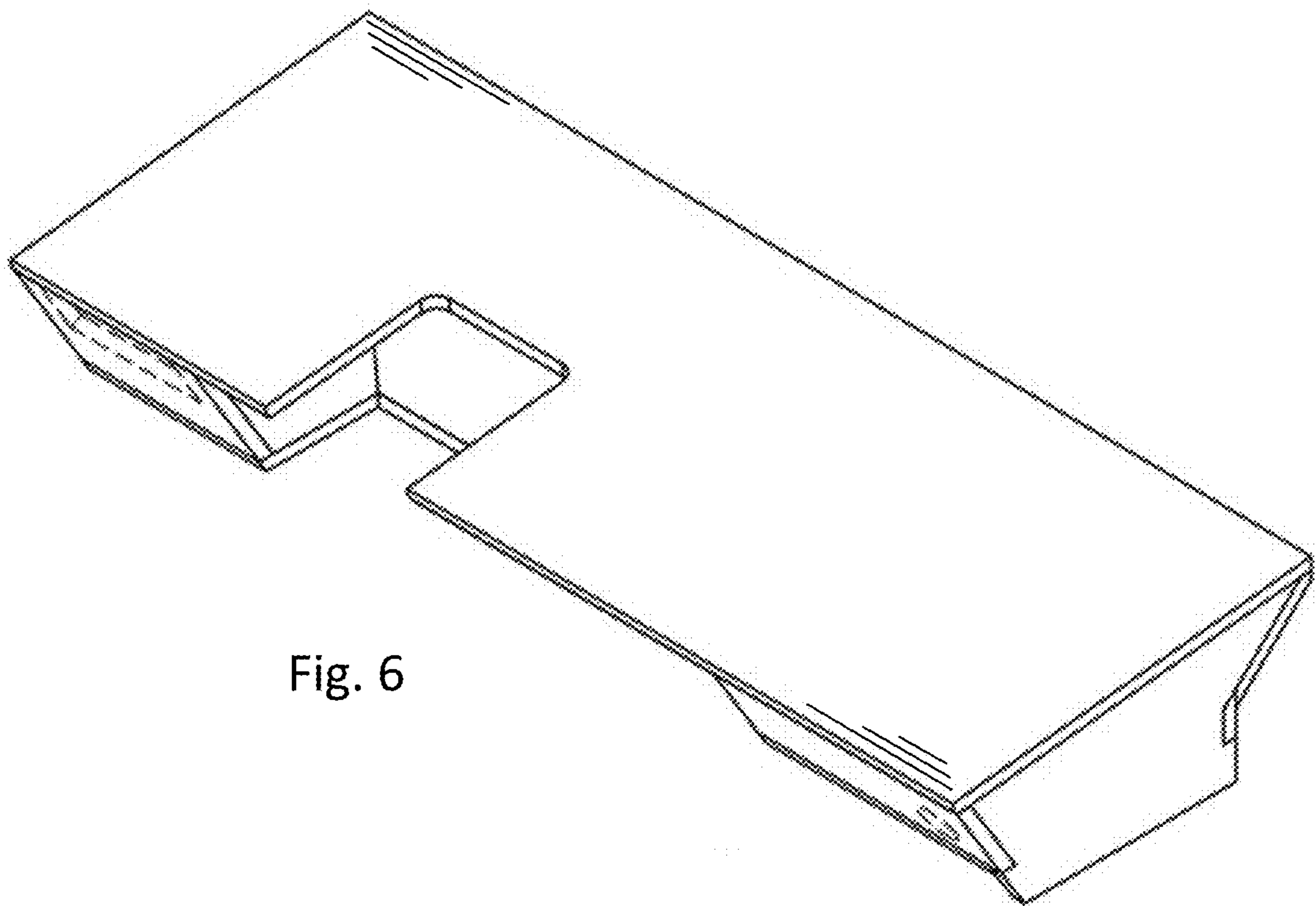


Fig. 6



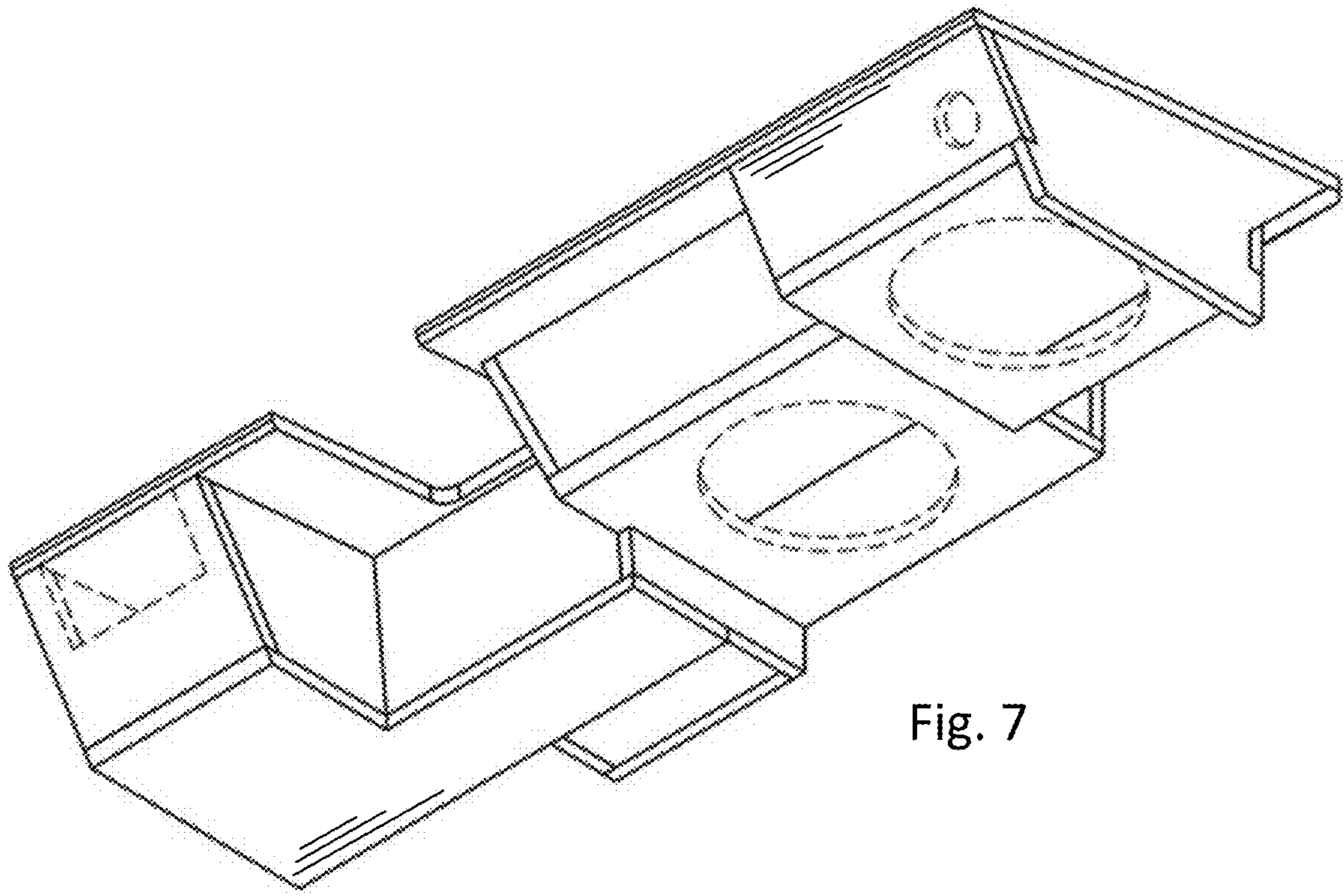


Fig. 7

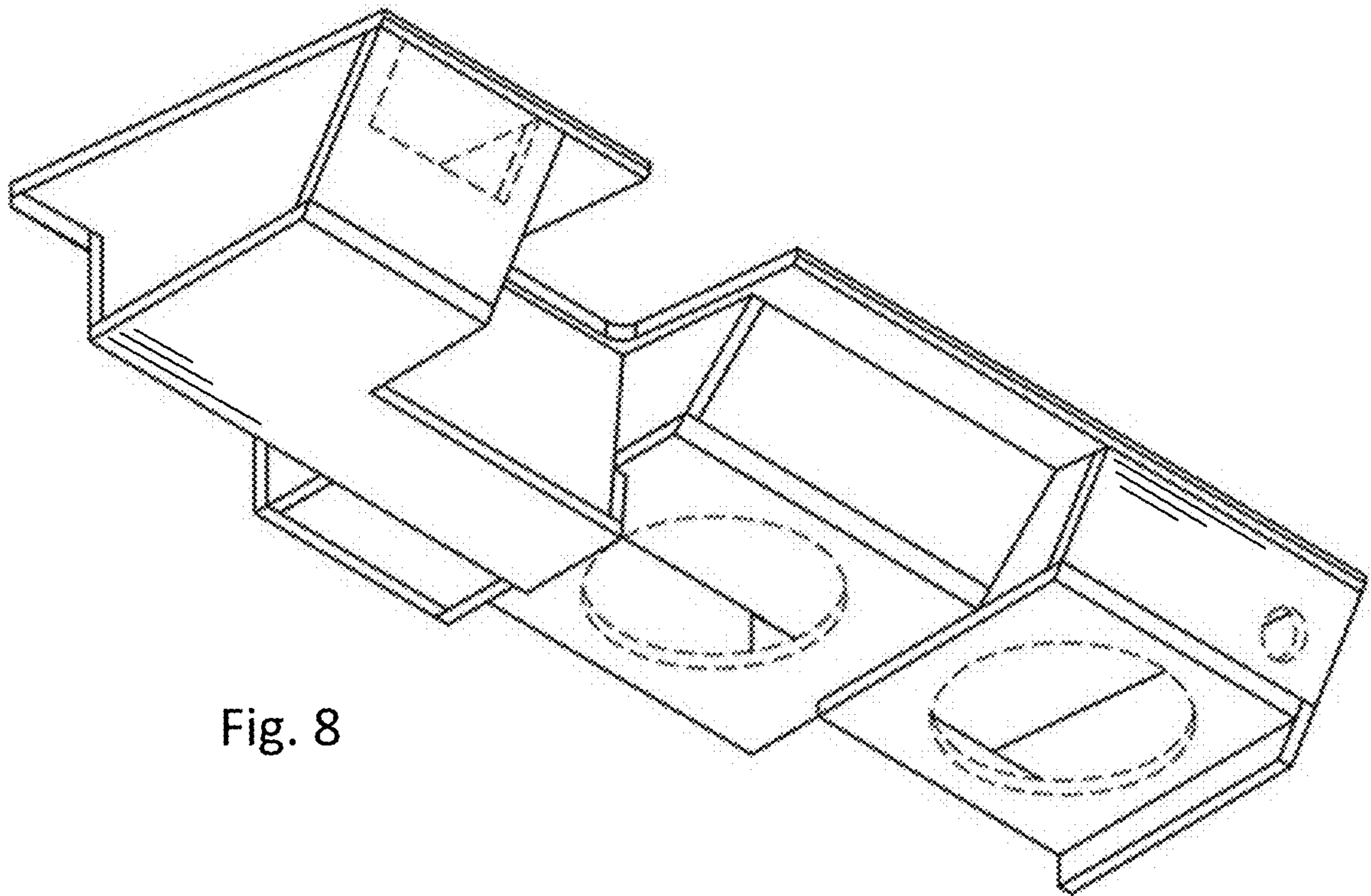


Fig. 8

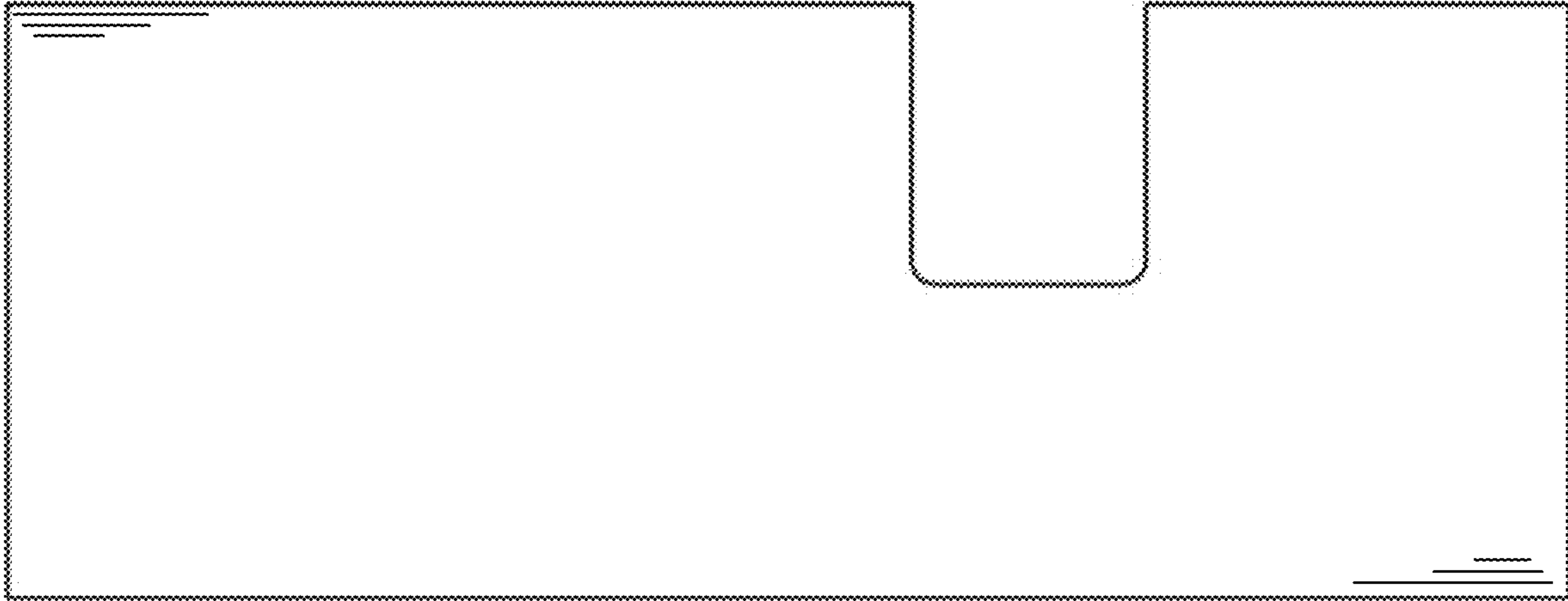


Fig. 9

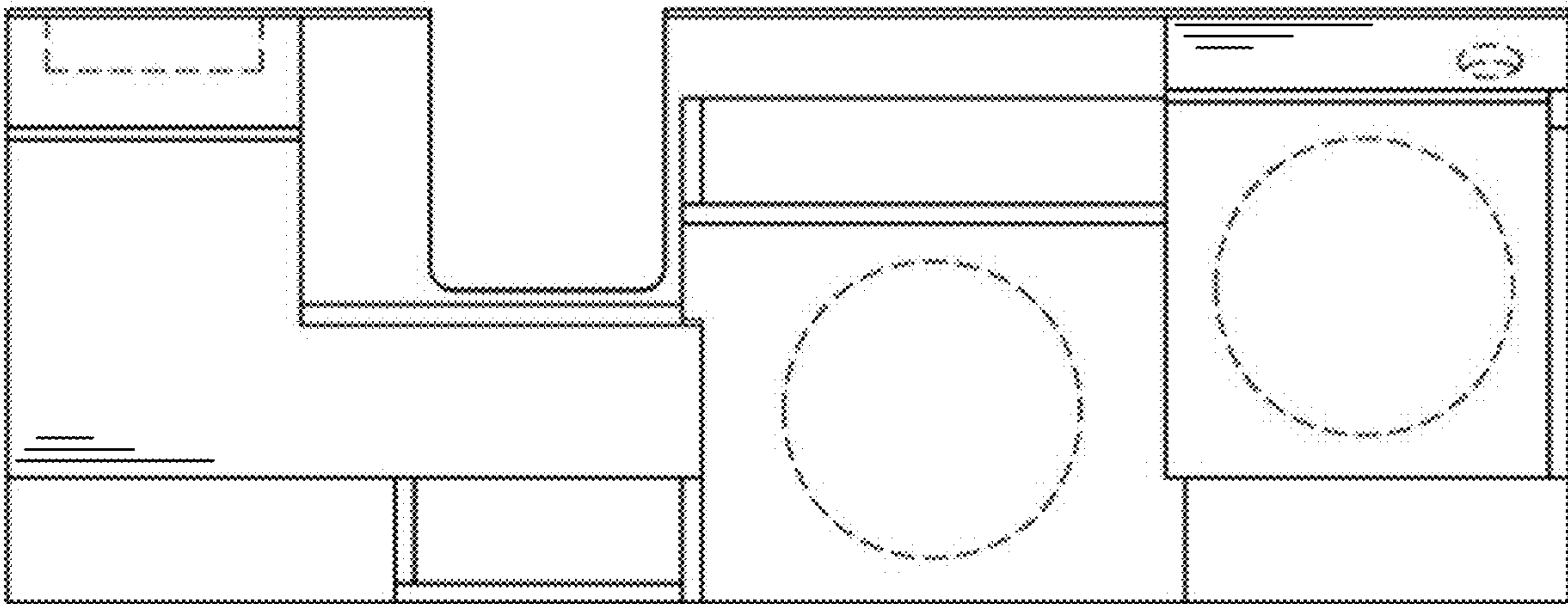


Fig. 10

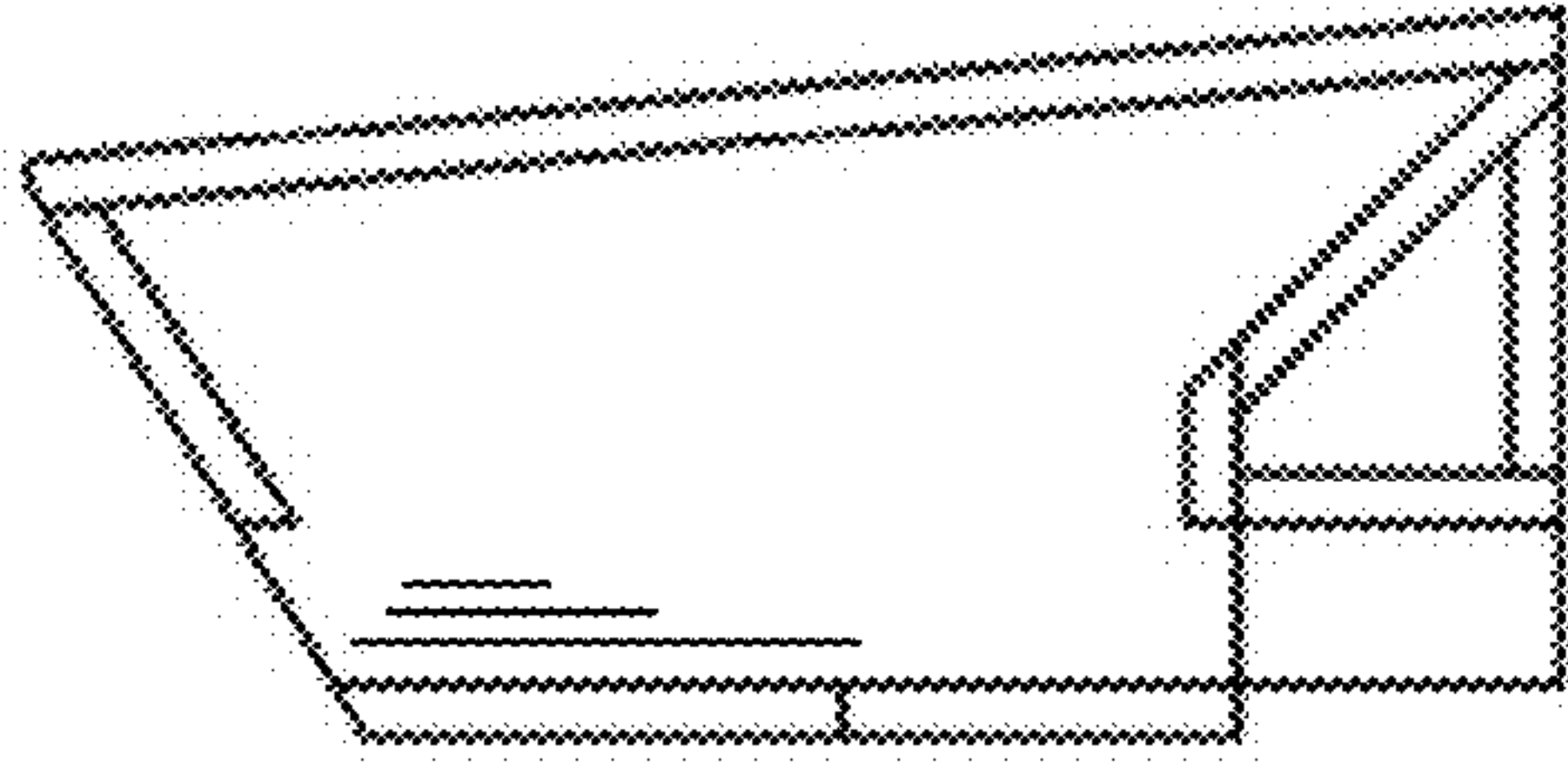


Fig. 11

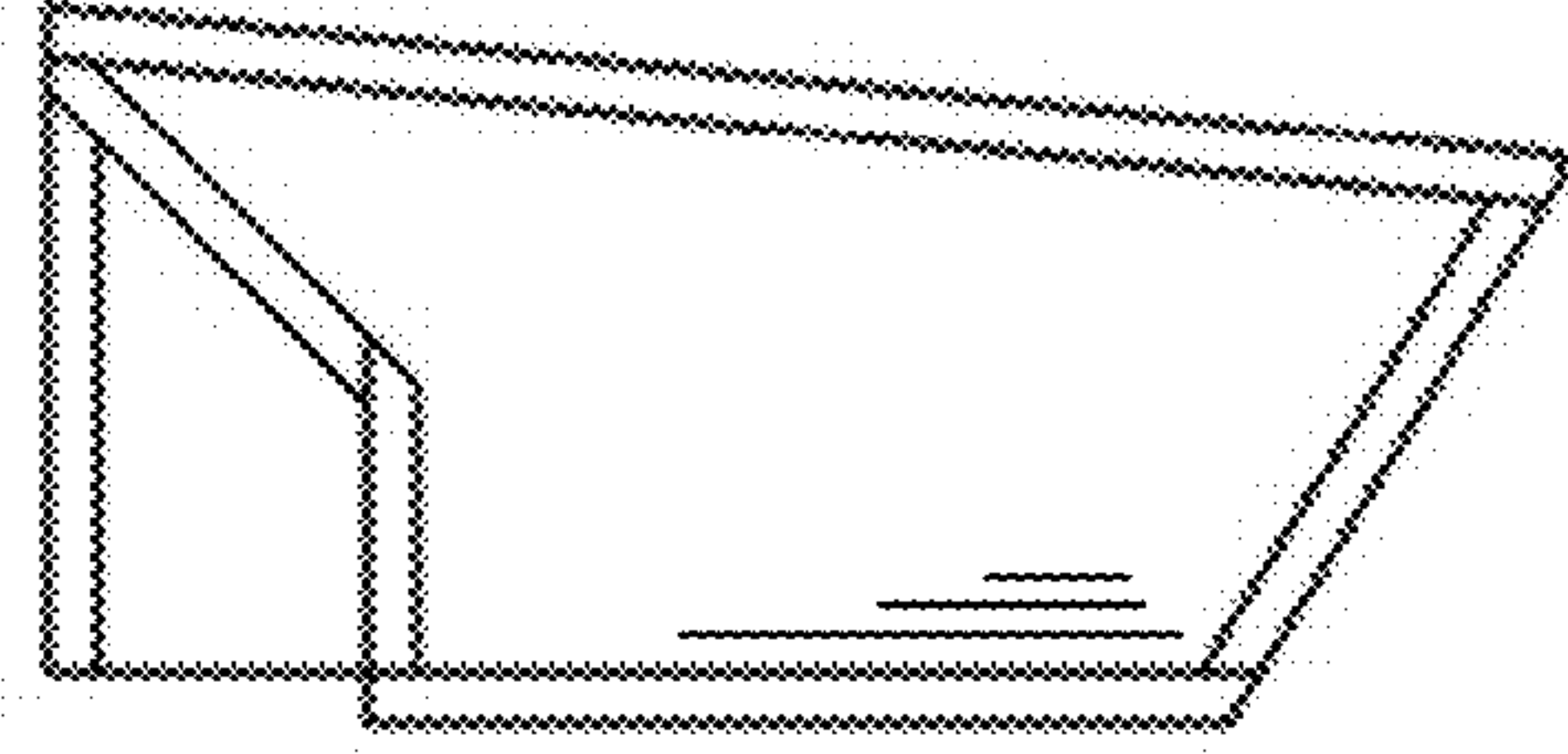


Fig. 12

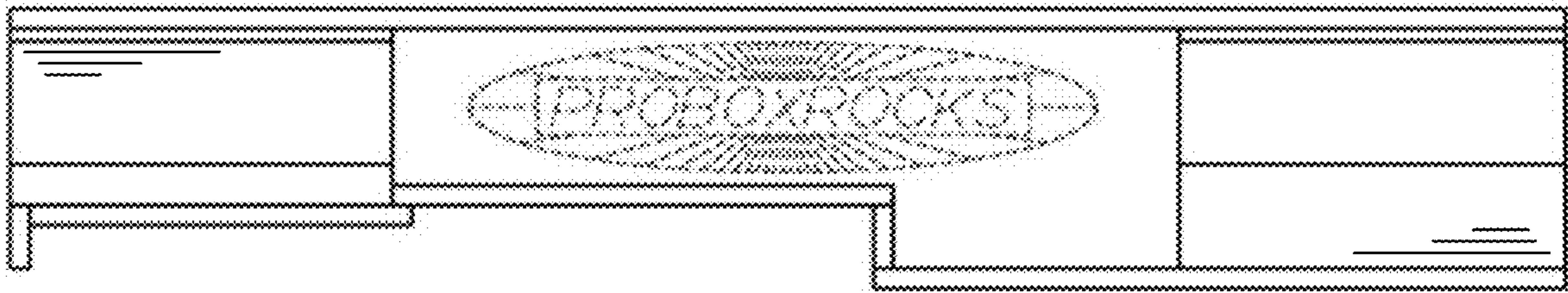


Fig. 13

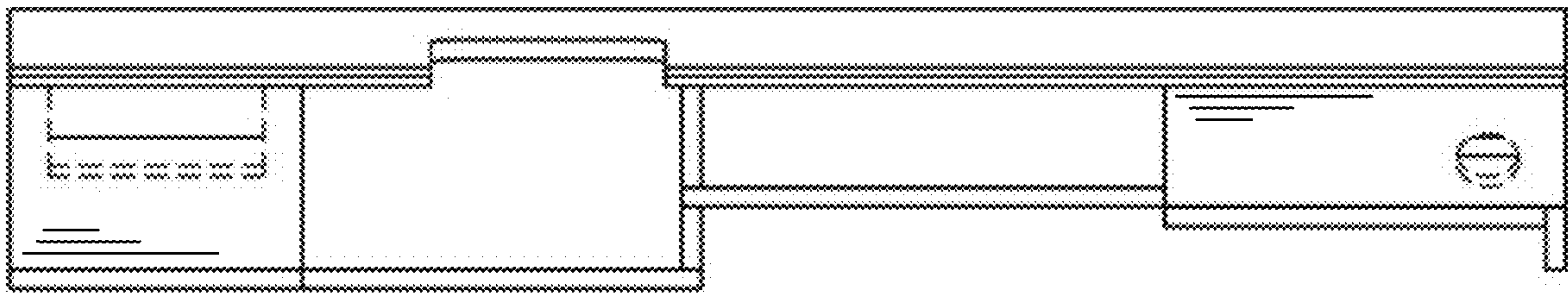


Fig. 14