



US00D954679S

(12) **United States Design Patent** (10) **Patent No.:** **US D954,679 S**
McManigal (45) **Date of Patent:** **** *Jun. 14, 2022**

(54) **PORTABLE SPEAKER**
(71) Applicant: **Vizio Inc**, Irvine, CA (US)
(72) Inventor: **Scott McManigal**, Irvine, CA (US)
(73) Assignee: **Vizio Inc**, Irvine, CA (US)
(*) Notice: This patent is subject to a terminal disclaimer.
(**) Term: **15 Years**
(21) Appl. No.: **29/545,650**
(22) Filed: **Nov. 14, 2015**
(51) **LOC (13) Cl.** **14-01**
(52) **U.S. Cl.**
USPC **D14/215**
CPC **H04R 1/02** (2013.01)
(58) **Field of Classification Search**
USPC D14/209–219, 167, 168, 170–172, 188,
D14/199, 194–196, 204, 221, 222, 224,
D14/496, 265, 516, 513
CPC H04R 1/02; H04R 1/021; H04R 1/023;
H04R 5/00; H04R 9/06; H04R 2420/07;
H04R 1/025; H04R 1/026; H04R 1/26;
H04R 1/2888; H04R 1/403; H04R 5/02;
H04R 19/02; H04R 2400/00
See application file for complete search history.

(56) **References Cited**
U.S. PATENT DOCUMENTS
D722,595 S * 2/2015 Mackiewicz D14/216
D726,684 S * 4/2015 Schmiedbauer D14/210
D748,074 S * 1/2016 Schmiedbauer D14/210
D753,630 S * 4/2016 Kim D14/216
D789,320 S * 6/2017 Schwarz D14/140.9
D798,268 S * 9/2017 Fang D14/216
D800,699 S * 10/2017 Fischer D14/216

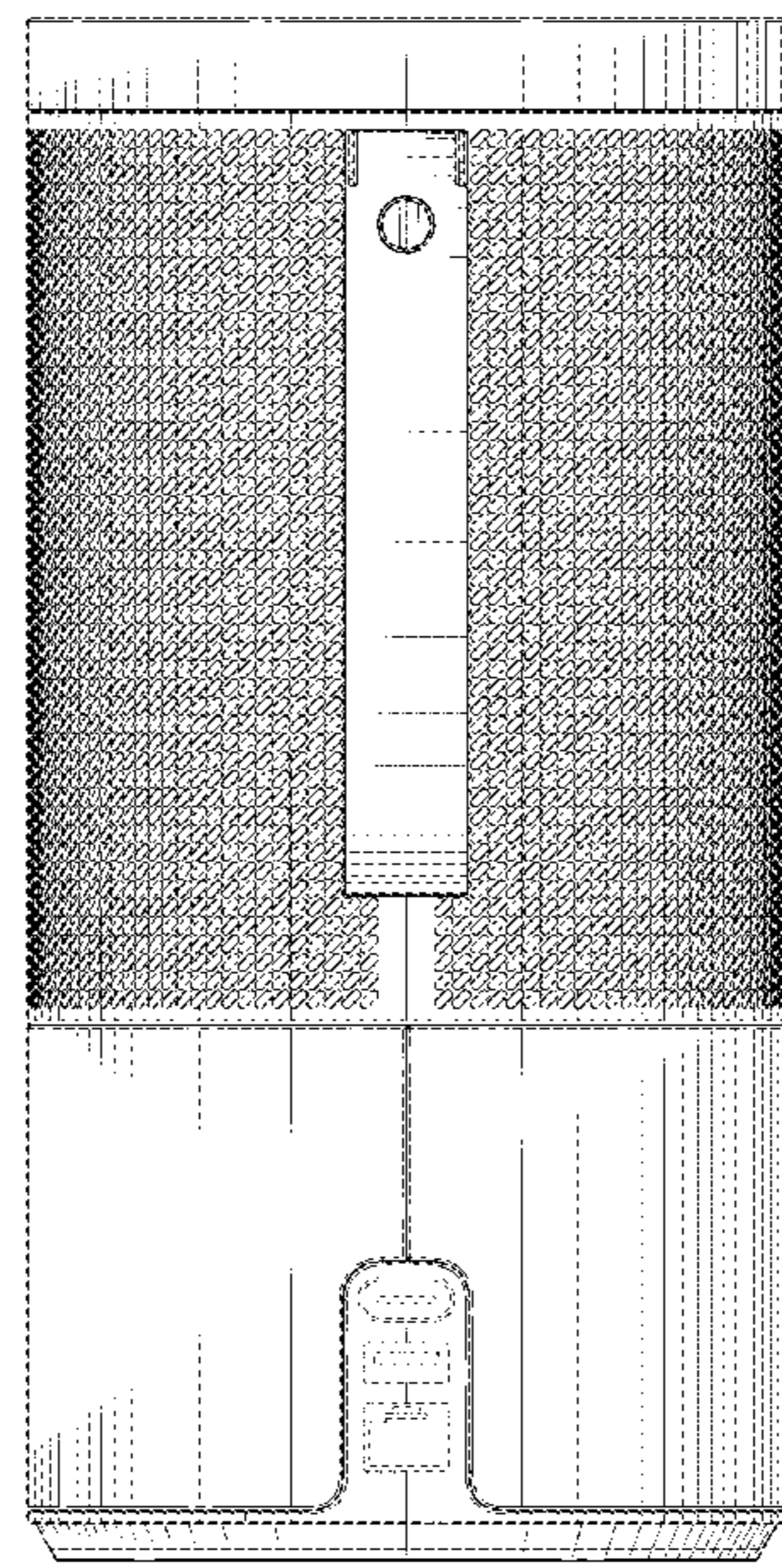
D807,320 S * 1/2018 Wong D14/204
D810,045 S * 2/2018 Kim D14/204
D811,368 S * 2/2018 Fischer D14/216
D839,855 S * 2/2019 Park D14/216
D849,794 S * 5/2019 You D14/497
D852,779 S * 7/2019 Schmiedbauer D14/210
D878,334 S * 3/2020 Alves D14/216
D886,765 S * 6/2020 Wilberding D14/204
D886,790 S * 6/2020 Yang D14/204
D905,663 S * 12/2020 Wang D14/216
D911,302 S * 2/2021 Wahlgren D14/204
D912,645 S * 3/2021 Xi D14/216
D916,679 S * 4/2021 Lin D14/204
D934,196 S * 10/2021 Kim D14/204
D935,444 S * 11/2021 Xu D14/215
2016/0080845 A1 * 3/2016 Williams H04R 1/02
381/386
2017/0006374 A1 * 1/2017 Song F16H 35/18
2017/0085981 A1 * 3/2017 Mathur H04R 1/24
2017/0187206 A1 * 6/2017 Lafountain H02J 7/0044

* cited by examiner
Primary Examiner — Richard E Chilcot
(74) *Attorney, Agent, or Firm* — Law Office of Scott C Harris, Inc

(57) **CLAIM**
I claim the ornamental design for a portable speaker, as shown and described.

DESCRIPTION
FIG. 1 shows a front perspective view of the portable speaker;
FIG. 2 shows a front view of the portable speaker;
FIG. 3 shows a rear view of the portable speaker;
FIG. 4 shows a first side view of the portable speaker;
FIG. 5 shows a top view of the portable speaker; and,
FIG. 6 shows a bottom view of the portable speaker.
The portions of the graphical user interface shown in broken lines form no part of the claimed design.

1 Claim, 5 Drawing Sheets



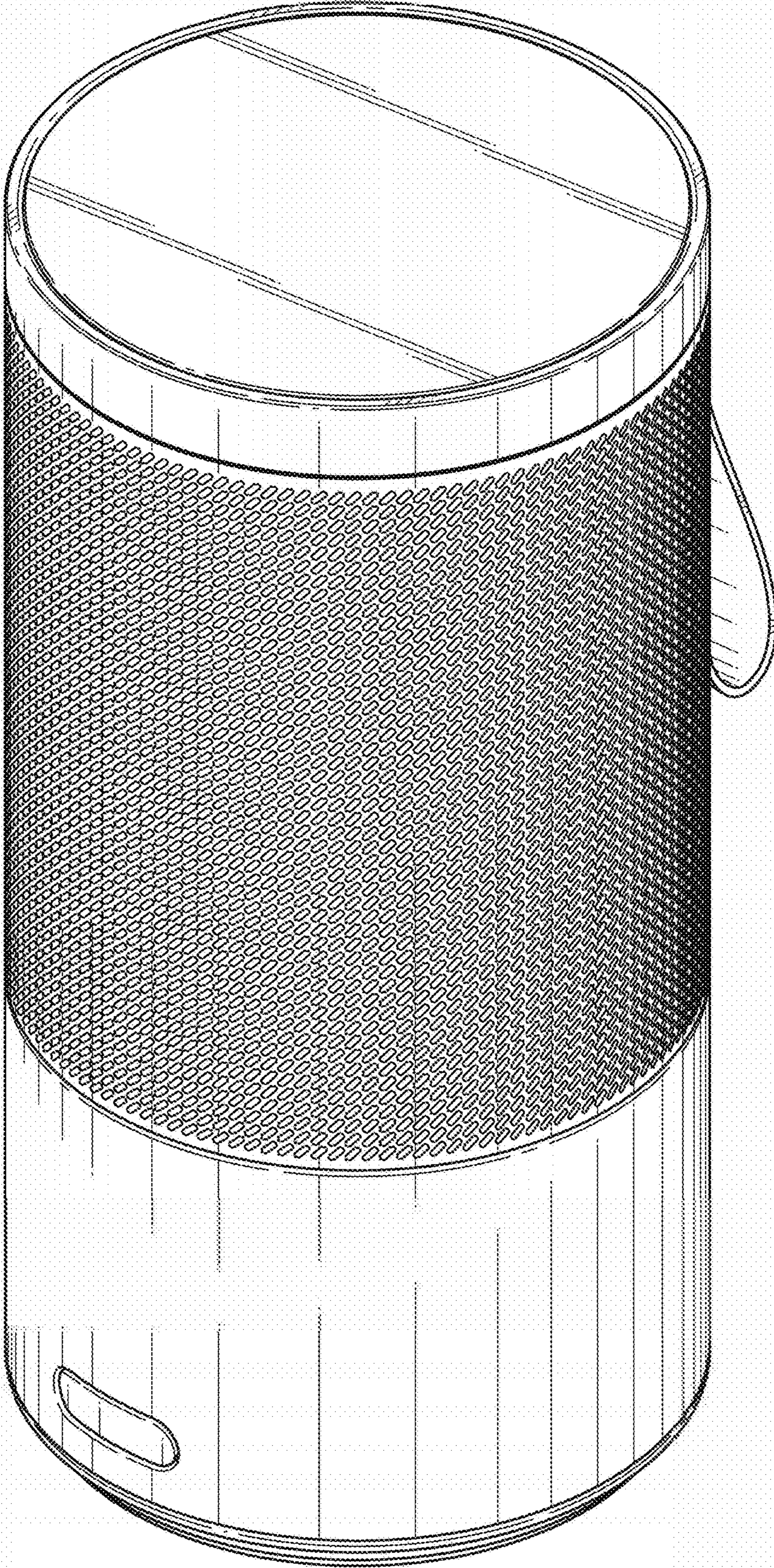


FIG. 1

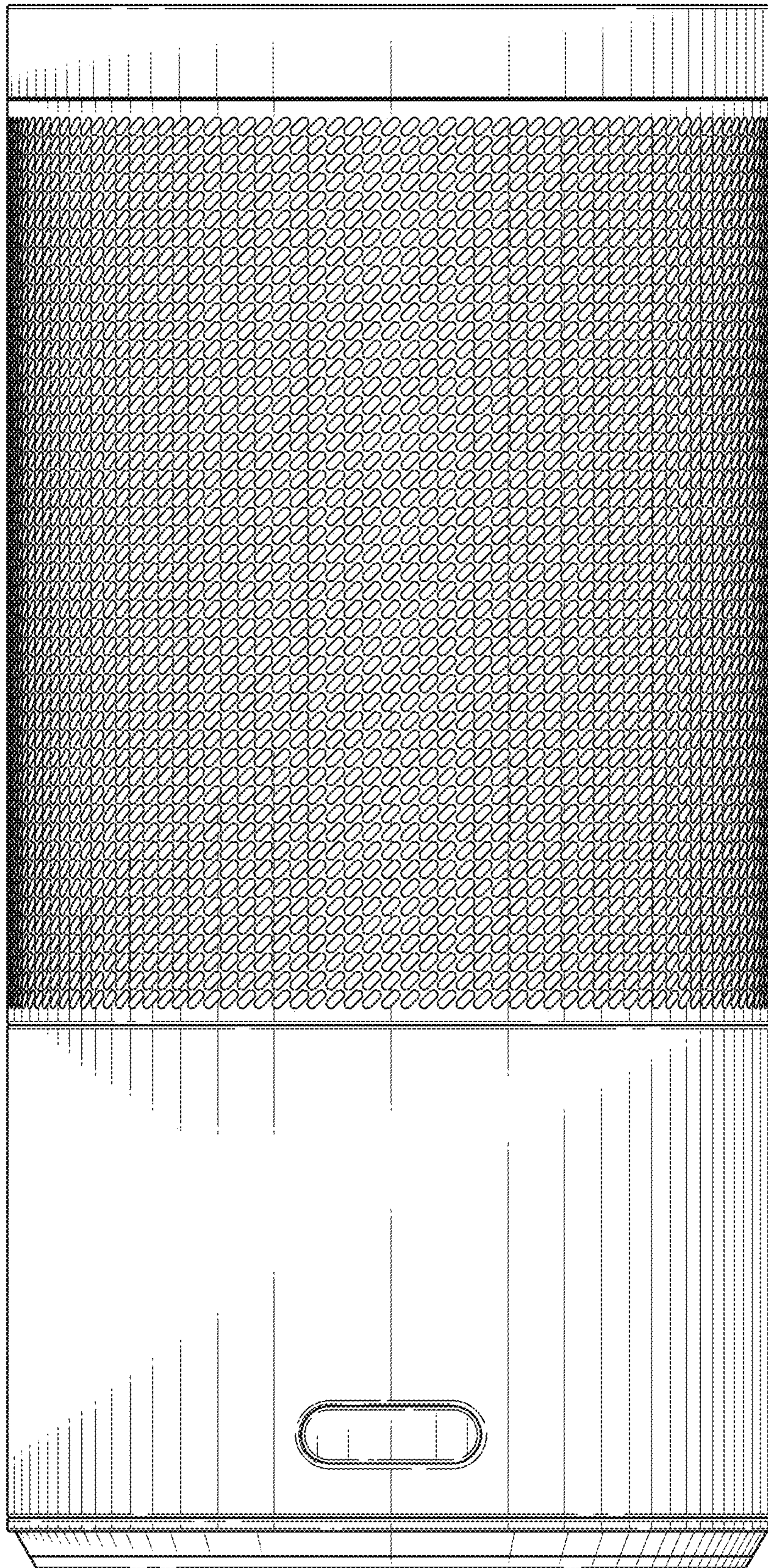


FIG. 2

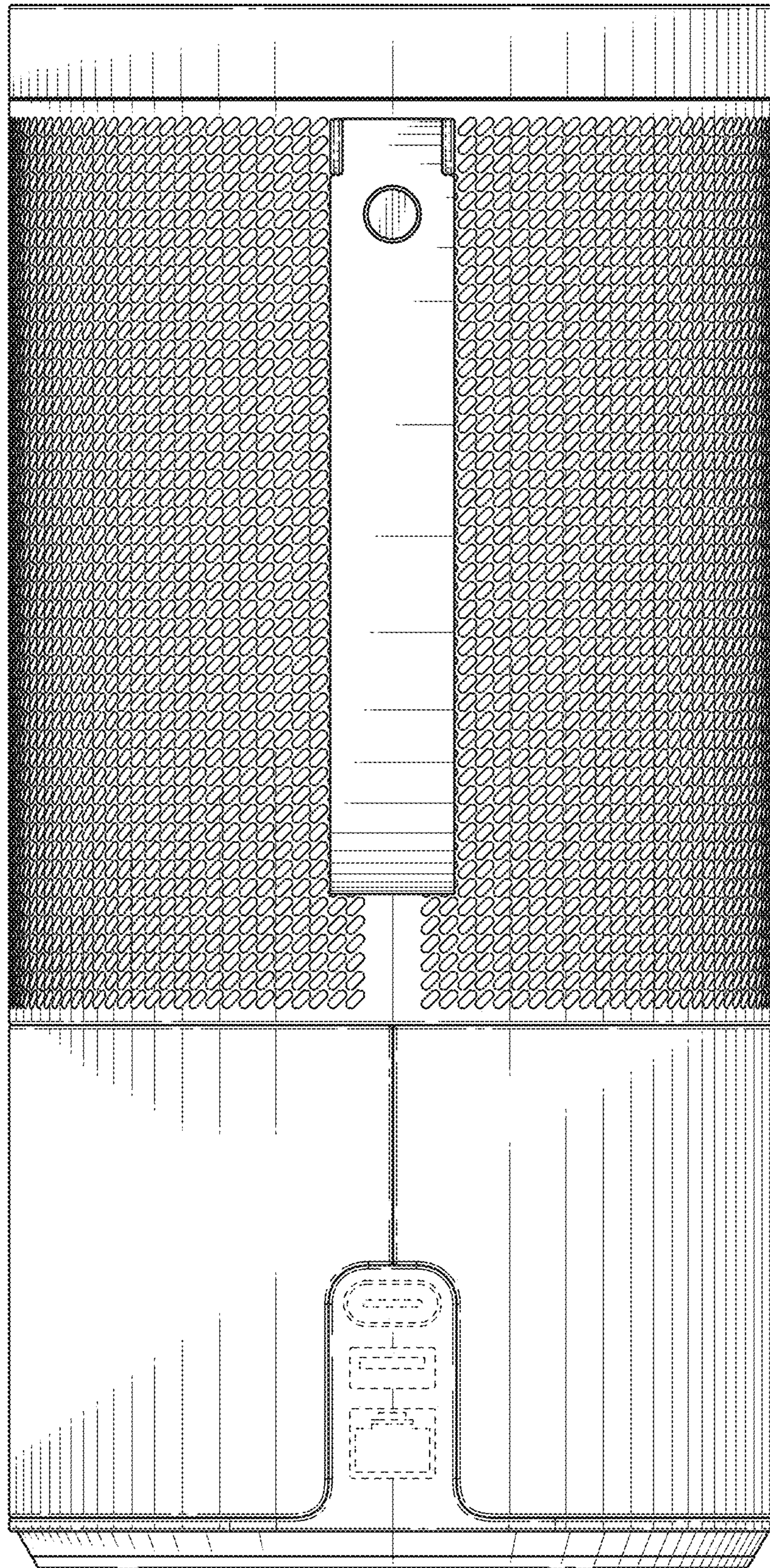


FIG. 3

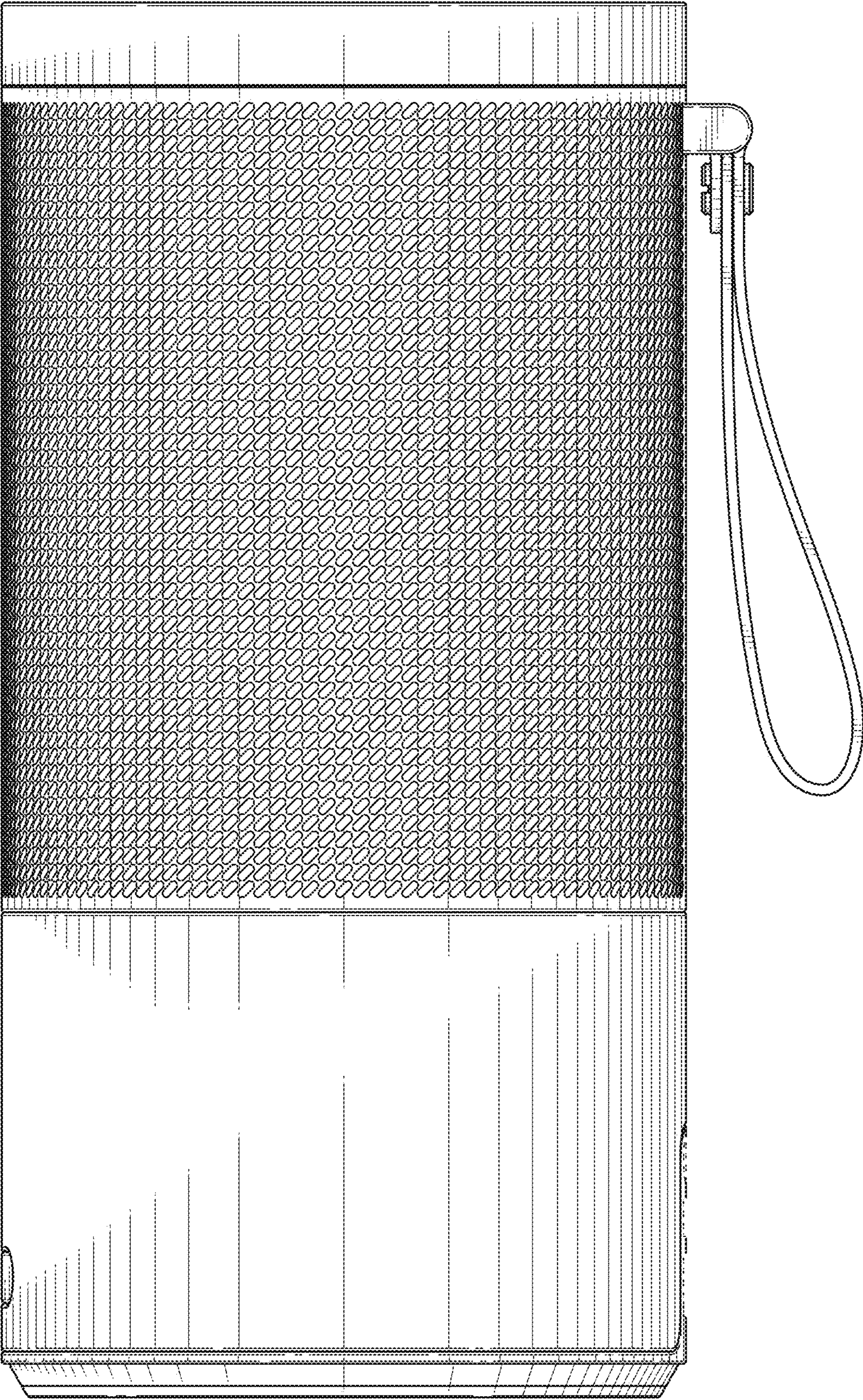


FIG. 4

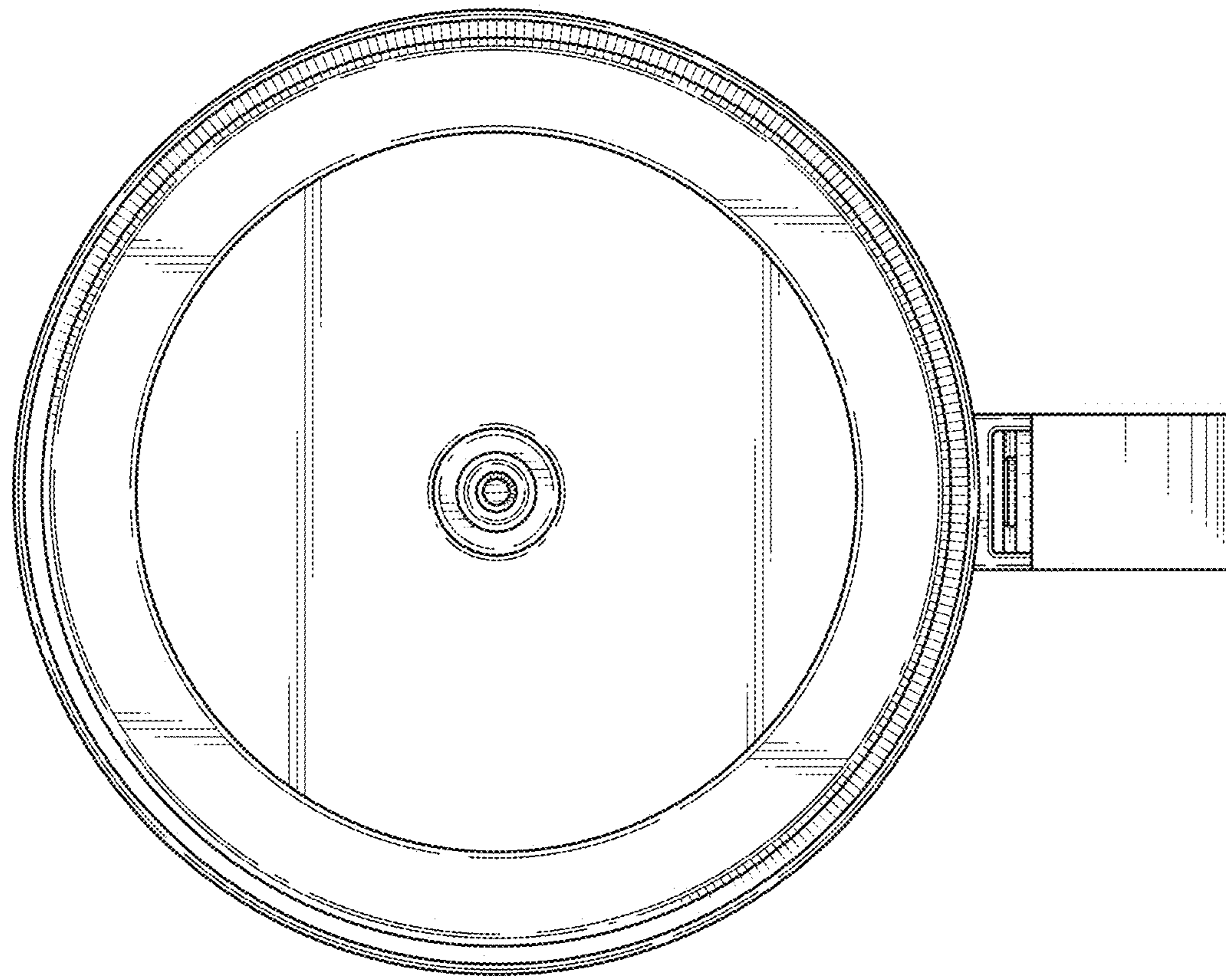


FIG. 6

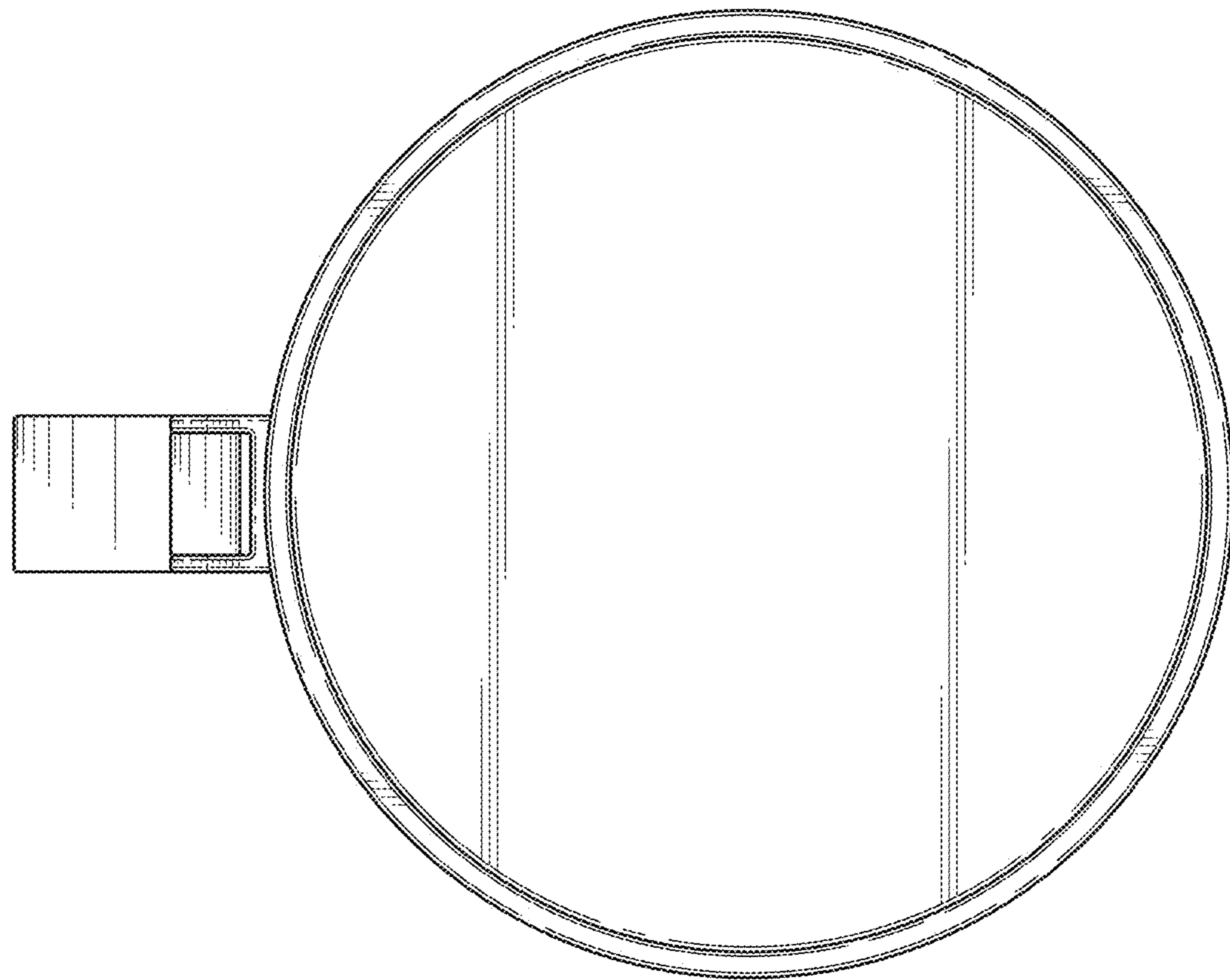


FIG. 5