



US00D954676S

(12) **United States Design Patent** (10) **Patent No.:** **US D954,676 S**  
**Stefans et al.** (45) **Date of Patent:** **\*\* \*Jun. 14, 2022**

(54) **WIRELESS DEVICE**

(71) Applicant: **Comcast Cable Communications, LLC**, Philadelphia, PA (US)  
(72) Inventors: **Erik Stefans**, Philadelphia, PA (US); **Zhe Zhang**, Wood Ridge, NJ (US); **Michael Jou**, Philadelphia, PA (US); **Neil Epstein**, Philadelphia, PA (US); **Henry Homza**, Philadelphia, PA (US); **Nicholas Stefano**, Haddon Heights, NJ (US); **Clyde Robbins**, Bensalem, PA (US); **Michael Lacek**, Wallingford, PA (US); **Charles Grugan**, Downingtown, PA (US)

(73) Assignee: **Comcast Cable Communications, LLC**, Philadelphia, PA (US)

(\*) Notice: This patent is subject to a terminal disclaimer.

(\*\*) Term: **15 Years**

(21) Appl. No.: **29/739,955**

(22) Filed: **Jun. 30, 2020**

(51) **LOC (13) Cl.** ..... **14-03**

(52) **U.S. Cl.**  
USPC ..... **D14/203.1**; D14/225; D14/496;  
D14/357; D14/218

(58) **Field of Classification Search**  
USPC ..... D14/240, 242, 358, 351, 356, 357, 125,  
D14/155, 162, 167, 168, 172, 175, 188,  
D14/195, 203.1, 203.6, 203.8, 204, 209.1,  
D14/216, 217, 218, 228, 299, 496, 140,  
D14/142, 388, 238.1; D13/123, 124, 152,  
D13/158, 162, 162.1, 168, 173, 184, 199;  
D10/104.1, 46  
CPC . G06F 3/16; G06F 3/162; G06F 3/165; G06F  
3/167; G10L 15/07

See application file for complete search history.

(56) **References Cited**

U.S. PATENT DOCUMENTS

D262,625 S \* 1/1982 Genaro ..... D14/149  
D294,569 S \* 3/1988 Geraets ..... D14/188  
D340,199 S \* 10/1993 Taylor ..... D10/106.1  
D404,830 S \* 1/1999 Childs ..... D24/224

(Continued)

OTHER PUBLICATIONS

Linksys Business Pro Series Wireless-AC Dual-Band MU-MIMO Access Point. [online PDF] 2 pgs. © 2016. [Retrieved on Oct. 2, 2019] [https://cc.cnetcontent.com/vcs/SPAF/Linksys/inline-content/9D/19ECE73401CDE5FAB113A34B6A979FBE1781C21D\\_LAPAC2600ENGLISH\\_source.PDF](https://cc.cnetcontent.com/vcs/SPAF/Linksys/inline-content/9D/19ECE73401CDE5FAB113A34B6A979FBE1781C21D_LAPAC2600ENGLISH_source.PDF).\*

*Primary Examiner* — Marie D. Fast Horse

(74) *Attorney, Agent, or Firm* — Banner & Witcoff, Ltd.

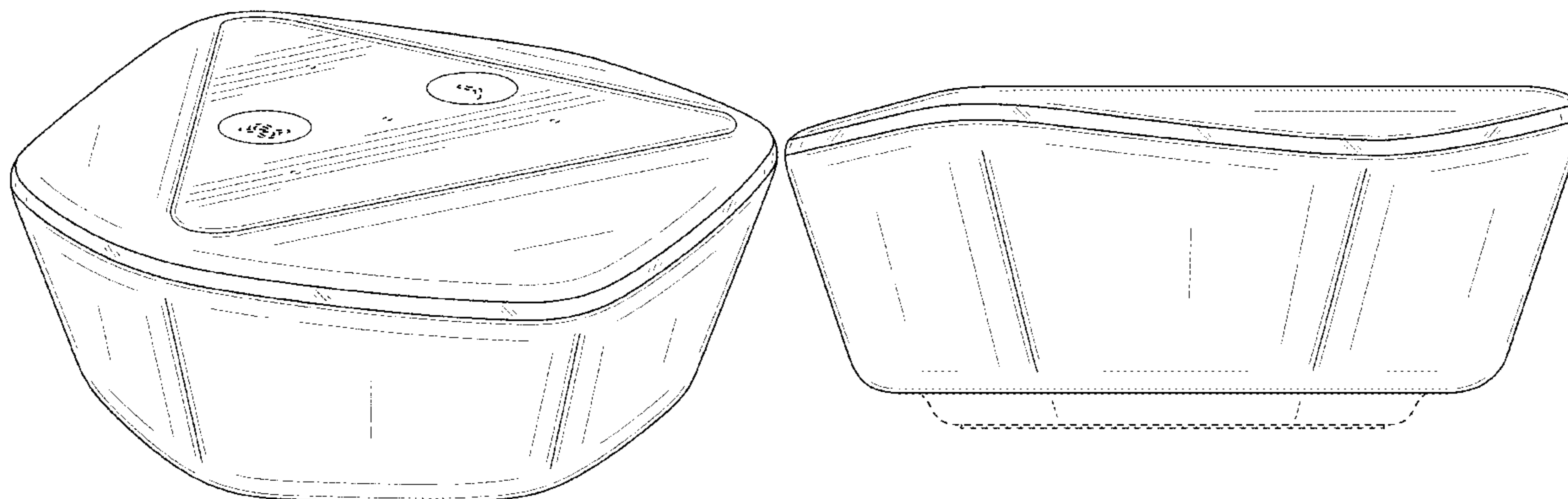
(57) **CLAIM**

The ornamental design for a wireless device, as shown and described.

**DESCRIPTION**

FIG. 1 is a front perspective view of a wireless device showing our new design in an unilluminated state;  
FIG. 2 is a front view thereof;  
FIG. 3 is a rear view thereof;  
FIG. 4 is a left side view thereof;  
FIG. 5 is a right side view thereof;  
FIG. 6 is a top view thereof;  
FIG. 7 is a bottom view thereof;  
FIG. 8 is a front perspective view of the wireless device of FIGS. 1-7 in an illuminated state;  
FIG. 9 is a front view thereof;  
FIG. 10 is a rear view thereof;  
FIG. 11 is a left side view thereof;  
FIG. 12 is a right side view thereof;  
FIG. 13 is a top view thereof; and,  
FIG. 14 is a bottom view thereof.

(Continued)



The broken lines shown in the drawings depict portions of the wireless device that form no part of the claimed design.

**1 Claim, 10 Drawing Sheets**

(56)

**References Cited**

U.S. PATENT DOCUMENTS

D438,856 S \* 3/2001 Uehara ..... D14/203.1  
 D494,633 S \* 8/2004 Nussberger ..... D21/324  
 D505,645 S \* 5/2005 Pacheco ..... D11/86  
 D513,610 S \* 1/2006 Bhakta ..... D14/507  
 D518,777 S \* 4/2006 Christianson ..... D13/133  
 D532,780 S \* 11/2006 Proctor, Jr ..... D14/240  
 D561,921 S \* 2/2008 Aleksjew ..... D26/37  
 D643,412 S \* 8/2011 Brady ..... D14/218  
 D673,512 S \* 1/2013 Huang ..... D13/168  
 D702,632 S \* 4/2014 Salmon ..... D13/108  
 D702,686 S \* 4/2014 Gerber ..... D14/433  
 D716,290 S \* 10/2014 Lim ..... D14/314  
 D724,583 S \* 3/2015 Ge ..... D14/358  
 D729,773 S \* 5/2015 Salojarvi ..... D14/218  
 D737,825 S \* 9/2015 Kumar ..... D14/433  
 D740,262 S \* 10/2015 Hasegawa ..... D14/240  
 D741,539 S \* 10/2015 Gettings ..... D26/152  
 D741,728 S \* 10/2015 Gettings ..... D10/52  
 D743,819 S \* 11/2015 Golnik ..... D10/70  
 D745,865 S \* 12/2015 Hsu ..... D14/240  
 D746,511 S \* 12/2015 Gettings ..... D26/152  
 D751,538 S \* 3/2016 Koehler ..... D14/240  
 D760,221 S \* 6/2016 Maruyama ..... D14/357  
 D761,139 S \* 7/2016 Golnik ..... D10/70  
 D761,676 S \* 7/2016 Golnik ..... D10/70  
 D771,039 S \* 11/2016 Windstrup ..... D14/356  
 D771,142 S \* 11/2016 Langhammer ..... D14/496  
 D775,233 S \* 12/2016 Beck ..... D14/496  
 D778,826 S \* 2/2017 Broadhurst, IV ..... D13/107  
 D782,429 S \* 3/2017 Xianda ..... D14/125  
 D784,307 S \* 4/2017 Yoon ..... D14/240  
 D785,608 S \* 5/2017 Weaver ..... D14/240  
 D790,460 S \* 6/2017 HibmaCronan ..... D13/110  
 D790,461 S \* 6/2017 HibmaCronan ..... D13/110  
 D792,468 S \* 7/2017 Langhammer ..... D14/496  
 D797,711 S \* 9/2017 Chui ..... D14/240

D801,410 S \* 10/2017 Kim ..... D14/203.3  
 D802,462 S \* 11/2017 Morneau ..... D10/101  
 D804,531 S \* 12/2017 Beck ..... D14/496  
 D806,072 S \* 12/2017 Gummalla ..... D14/358  
 D808,389 S \* 1/2018 Judge ..... D14/240  
 D809,951 S \* 2/2018 Yang ..... D10/104.1  
 D814,042 S \* 3/2018 Chan ..... D24/186  
 D815,149 S \* 4/2018 Langhammer ..... D14/496  
 D820,238 S \* 6/2018 Boshernitzan ..... D14/218  
 D820,318 S \* 6/2018 Mullins ..... D14/496  
 D822,717 S \* 7/2018 Lim ..... D14/496  
 D826,205 S \* 8/2018 Langhammer ..... D14/203.6  
 D827,598 S \* 9/2018 Kwon ..... D14/125  
 D834,560 S \* 11/2018 Hardi ..... D14/218  
 D839,263 S \* 1/2019 Lee ..... D14/301  
 D843,356 S \* 3/2019 Stevenson ..... D14/230  
 D844,593 S \* 4/2019 Bould ..... D14/240  
 D847,106 S \* 4/2019 Koo ..... D14/125  
 D848,398 S \* 5/2019 Huang ..... D14/216  
 D848,405 S \* 5/2019 Bould ..... D14/240  
 D851,075 S \* 6/2019 Ramones ..... D14/242  
 D854,518 S \* 7/2019 Zhang ..... D14/218  
 D855,040 S \* 7/2019 Fu ..... D14/242  
 10,367,317 B1 \* 7/2019 Rahner ..... H01R 13/506  
 D855,595 S \* 8/2019 Yang ..... D14/242  
 D857,650 S \* 8/2019 Hardi ..... D14/205  
 D858,499 S \* 9/2019 Yang ..... D14/242  
 D860,937 S \* 9/2019 Slaatto ..... D13/108  
 10,462,929 B1 \* 10/2019 Su ..... H01Q 1/44  
 D877,149 S \* 3/2020 Johnston ..... D14/388  
 D878,325 S \* 3/2020 Paterson ..... D14/203.1  
 D879,053 S \* 3/2020 Yu ..... D13/168  
 D883,294 S \* 5/2020 Xie ..... D14/434  
 D885,367 S \* 5/2020 Guo ..... D14/216  
 D888,698 S \* 6/2020 HibmaCronan ..... D14/240  
 D900,821 S \* 11/2020 Johnston ..... D14/388  
 D901,431 S \* 11/2020 Paterson ..... D14/203.1  
 D912,030 S \* 3/2021 Bould ..... D14/240  
 D920,944 S \* 6/2021 Paterson ..... D14/203.1  
 D922,381 S \* 6/2021 Mills ..... D14/358  
 D924,214 S \* 7/2021 Homza ..... D14/240  
 D924,215 S \* 7/2021 Homza ..... D14/240  
 D926,687 S \* 8/2021 Helgeson ..... D13/110  
 D933,641 S \* 10/2021 Bould ..... D14/240  
 D934,193 S \* 10/2021 Zhang ..... D14/204  
 2019/0104640 A1 \* 4/2019 Chang ..... H05K 7/20509  
 2019/0372203 A1 \* 12/2019 Su ..... H01Q 1/1221

\* cited by examiner



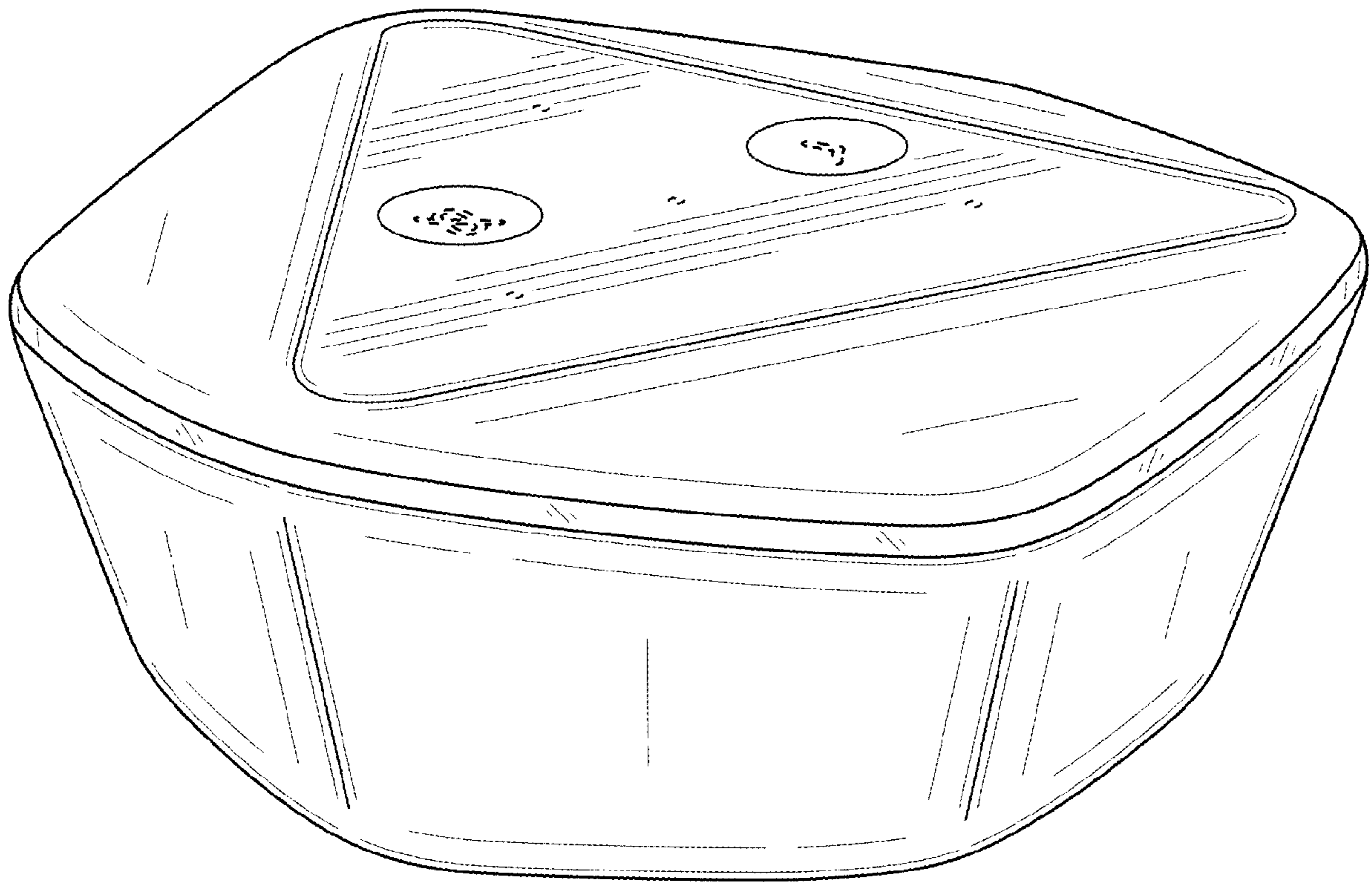


FIG. 1

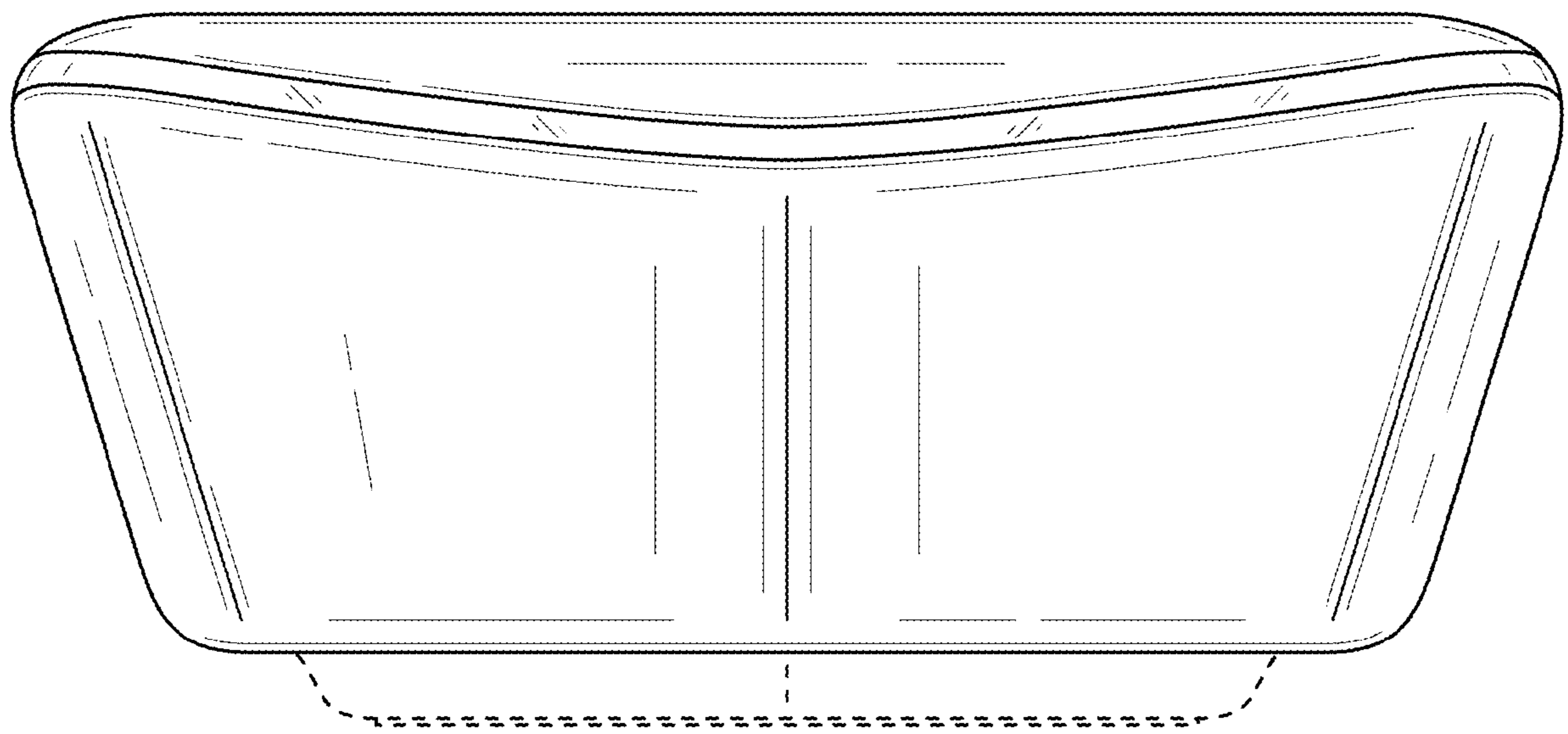


FIG. 2

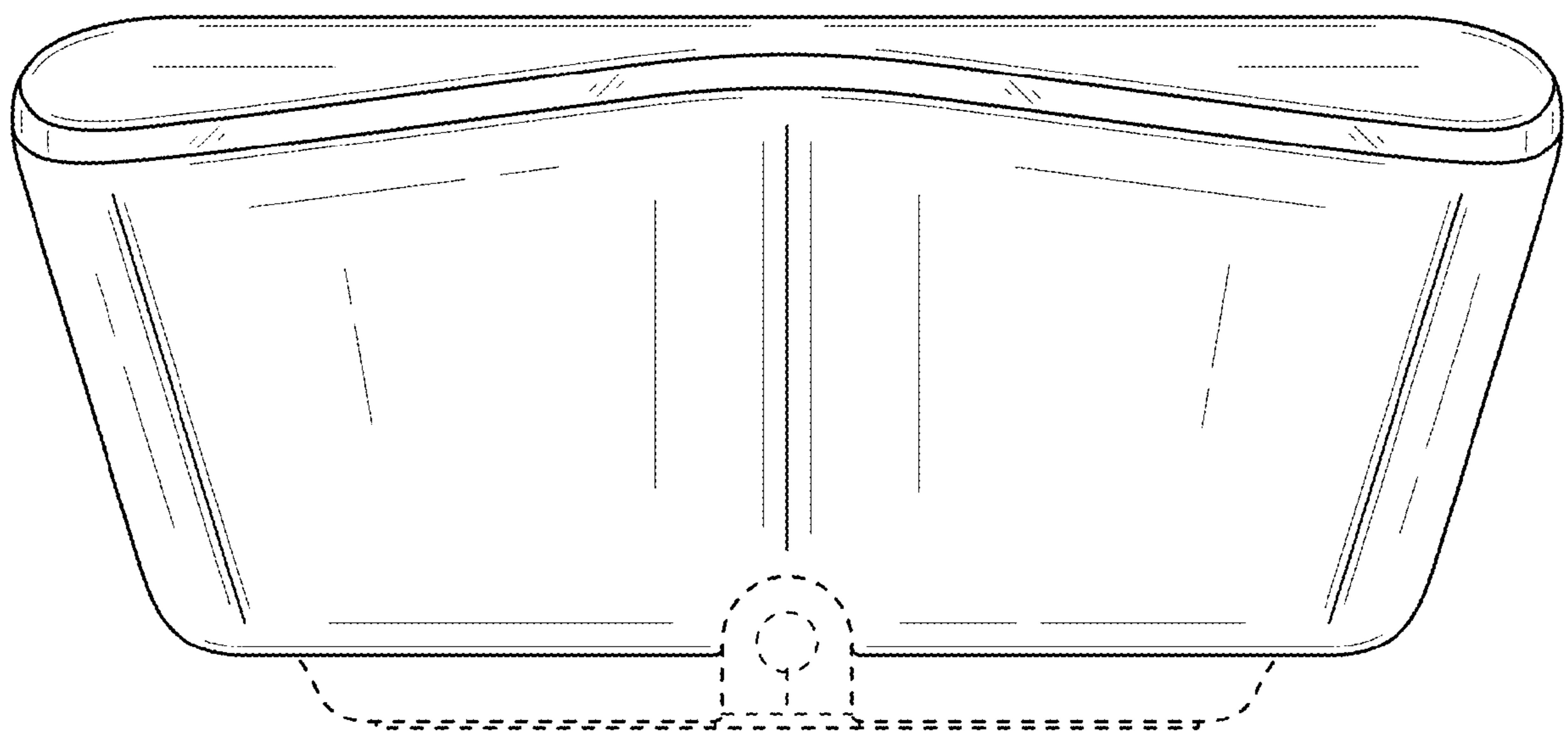


FIG. 3

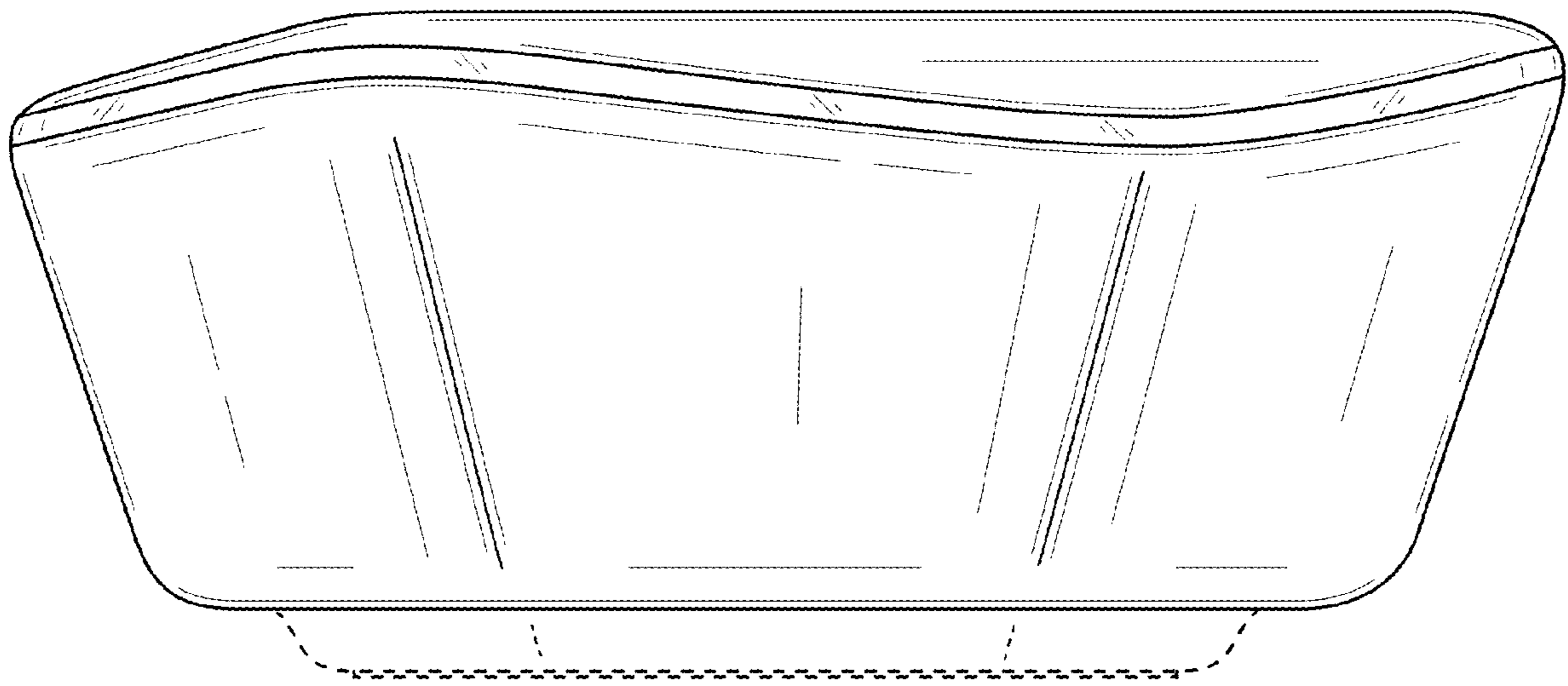


FIG. 4

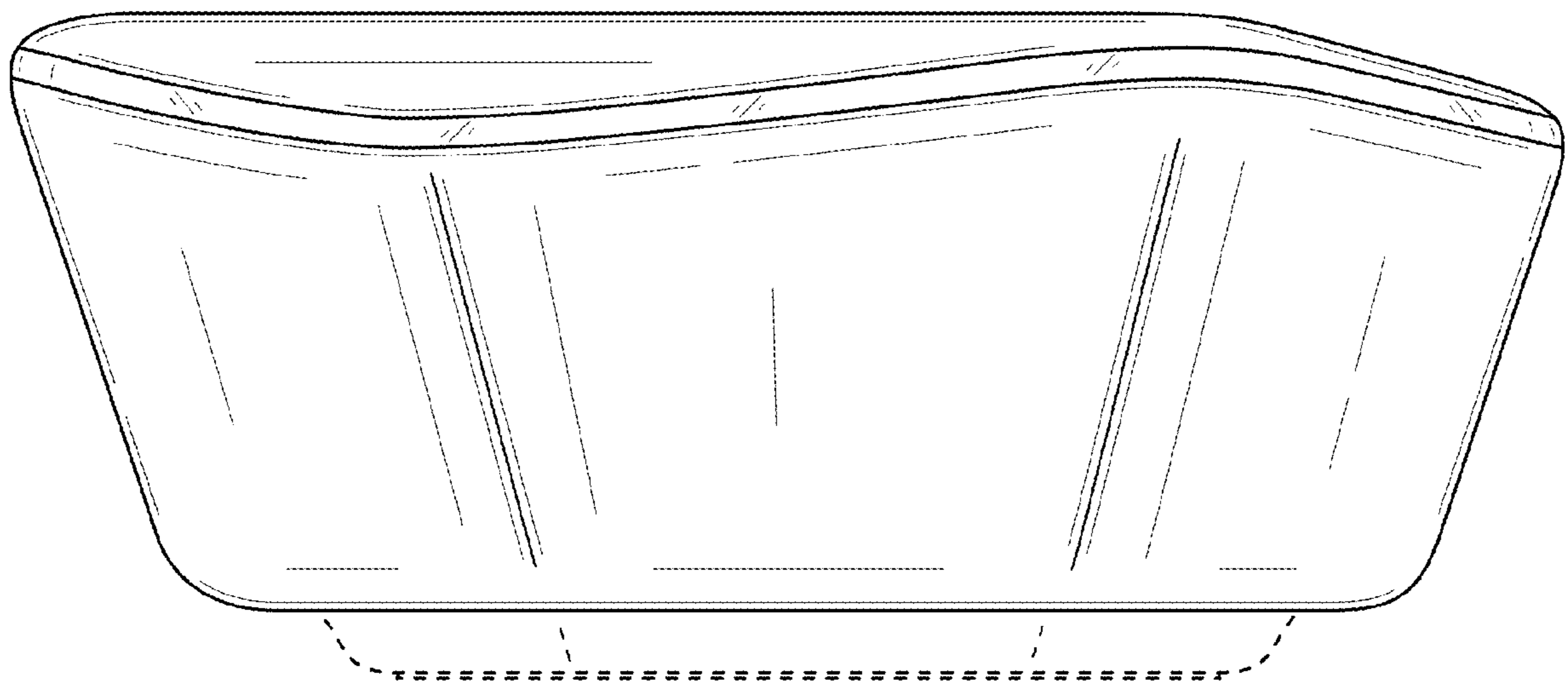


FIG. 5

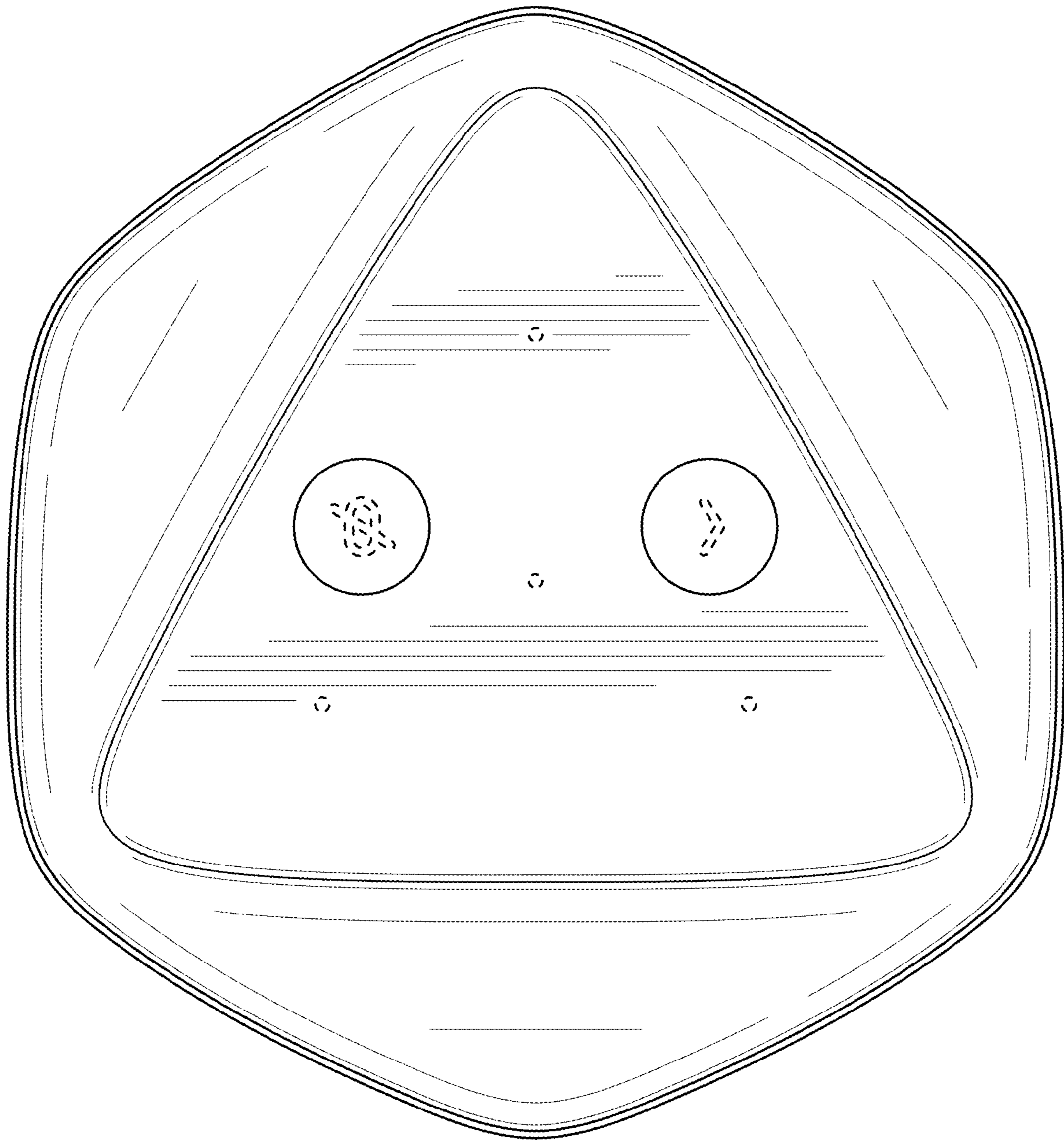


FIG. 6

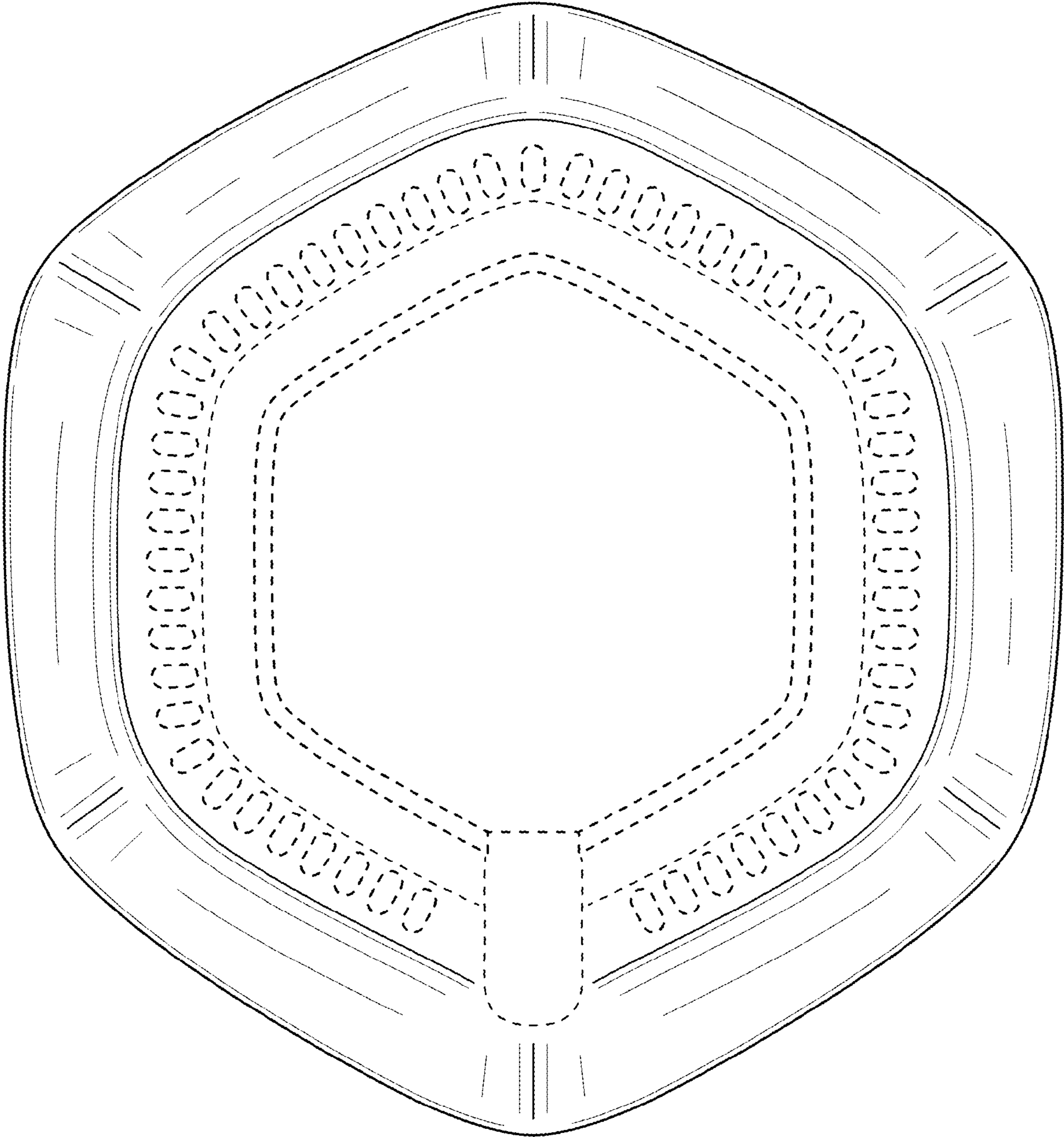


FIG. 7



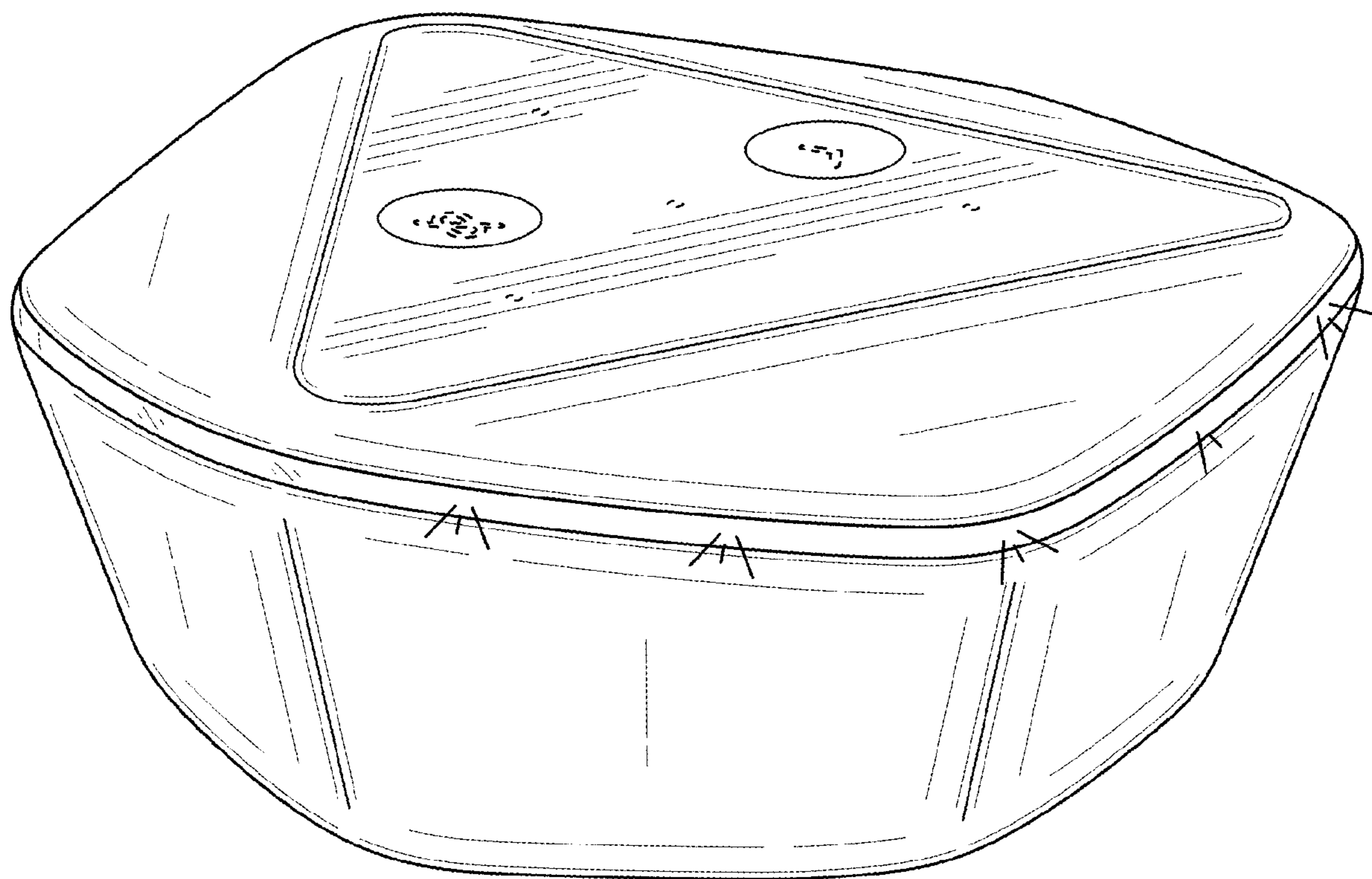


FIG. 8



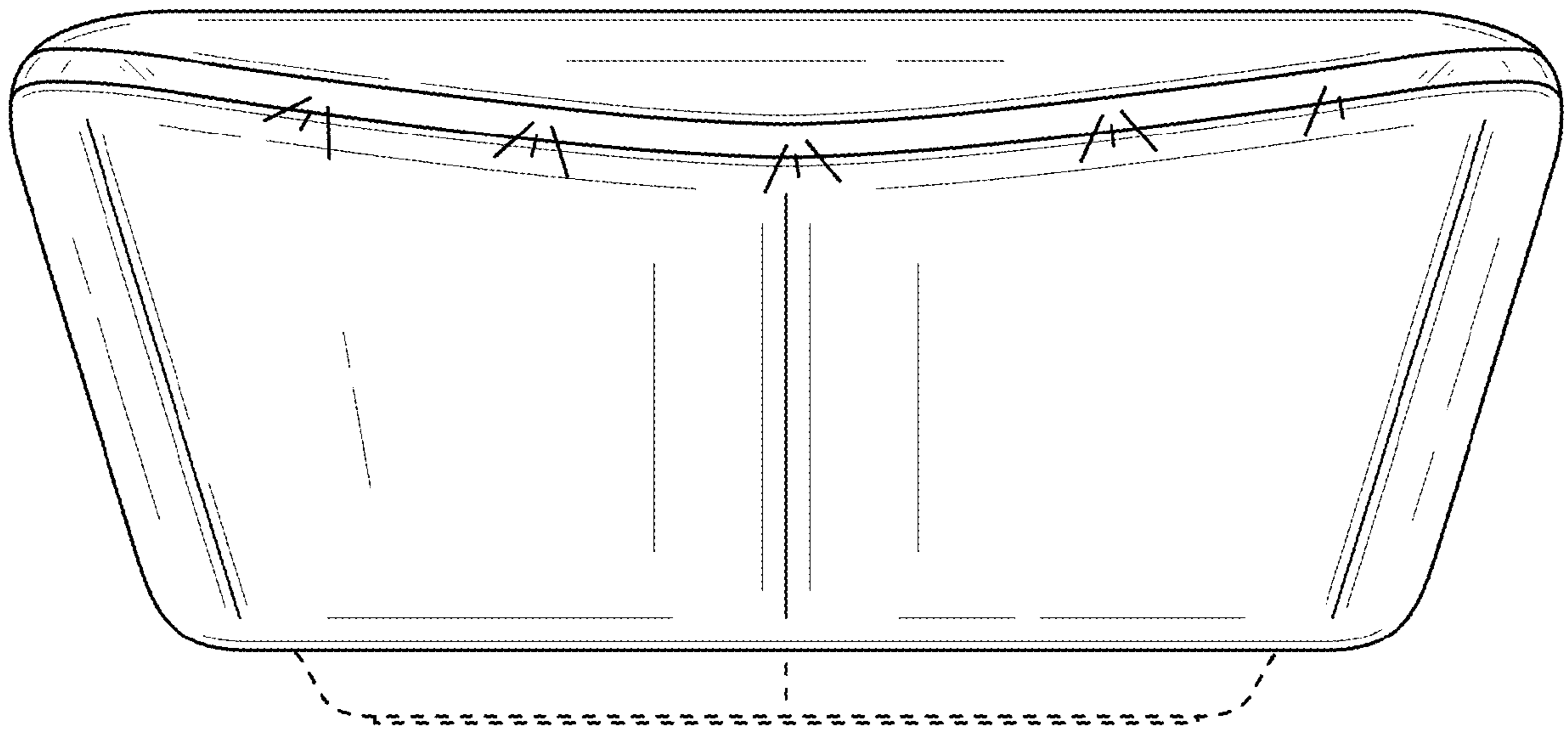


FIG. 9

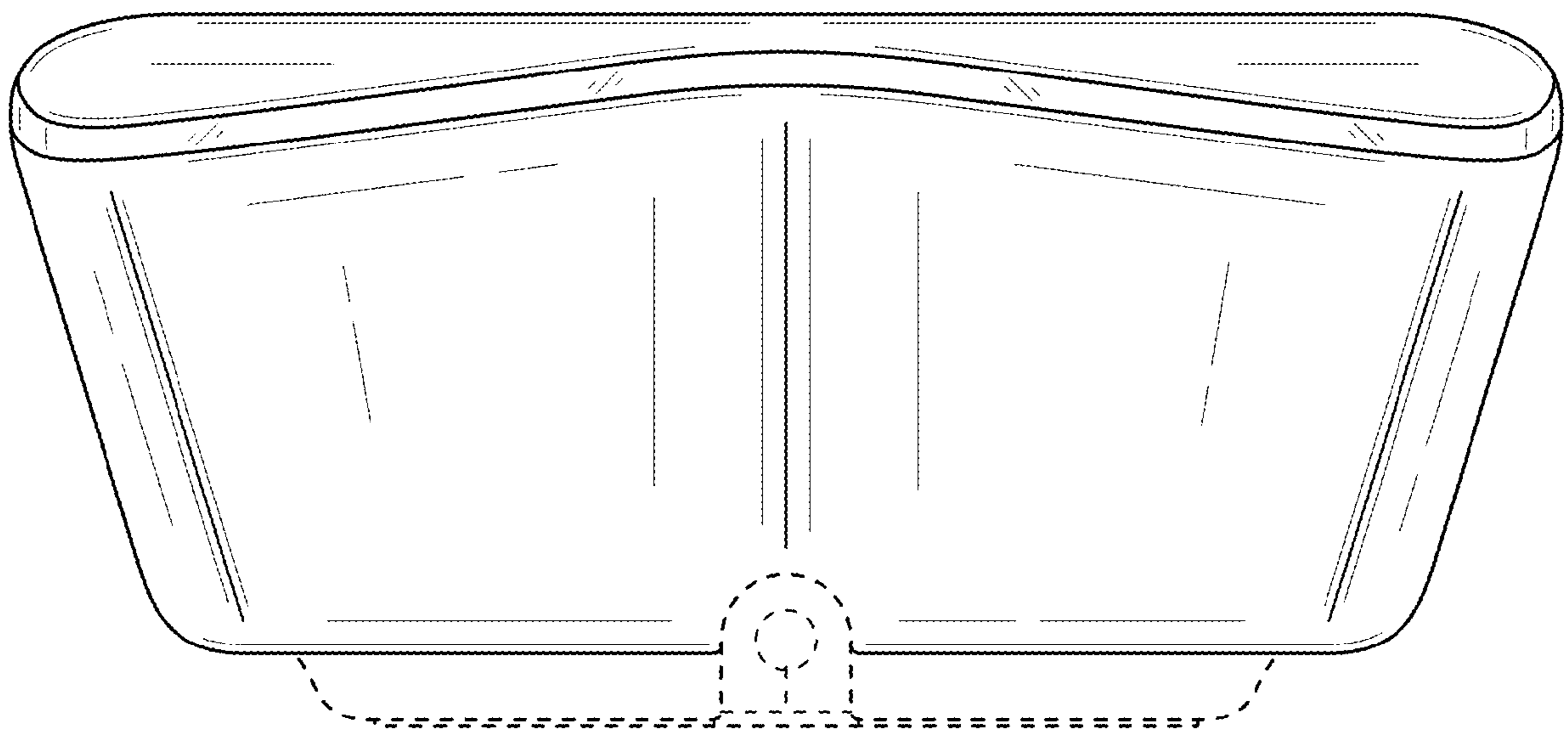


FIG. 10

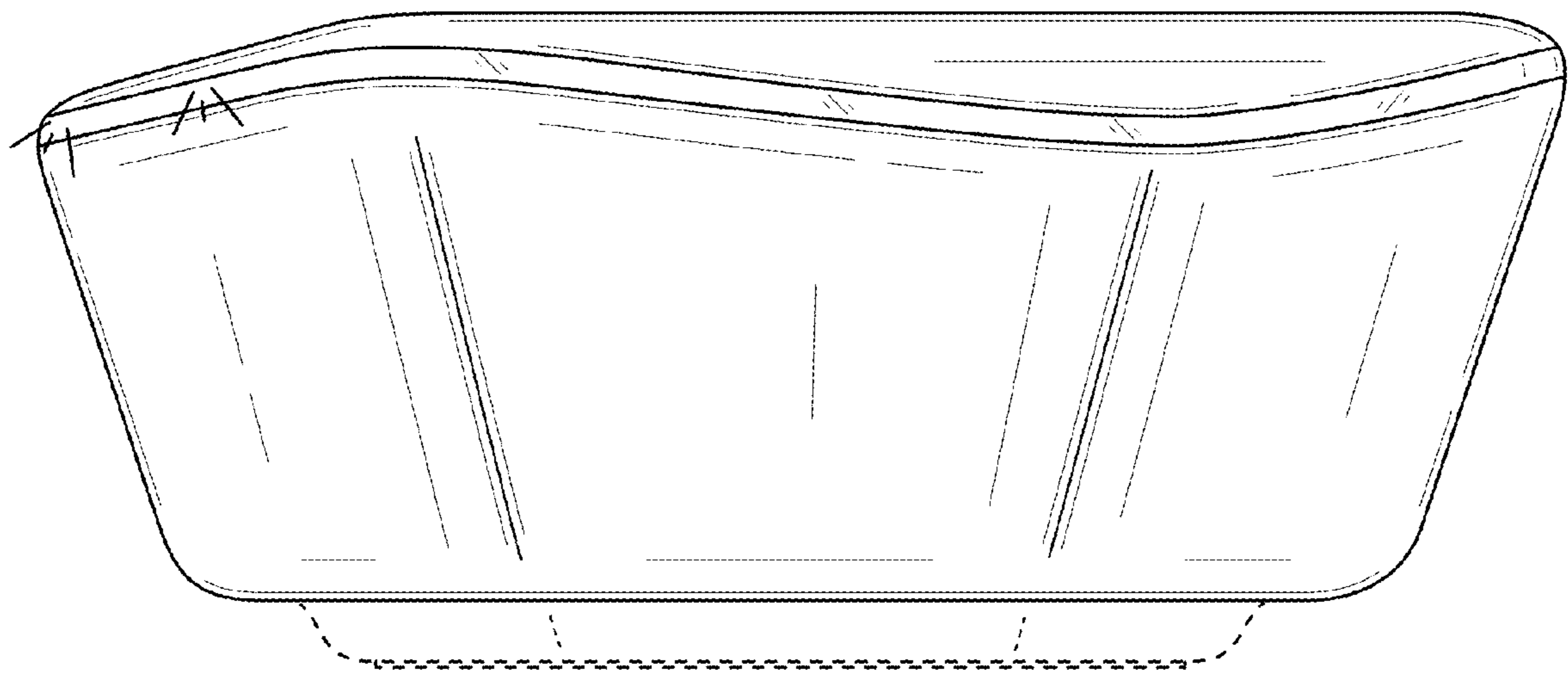


FIG. 11

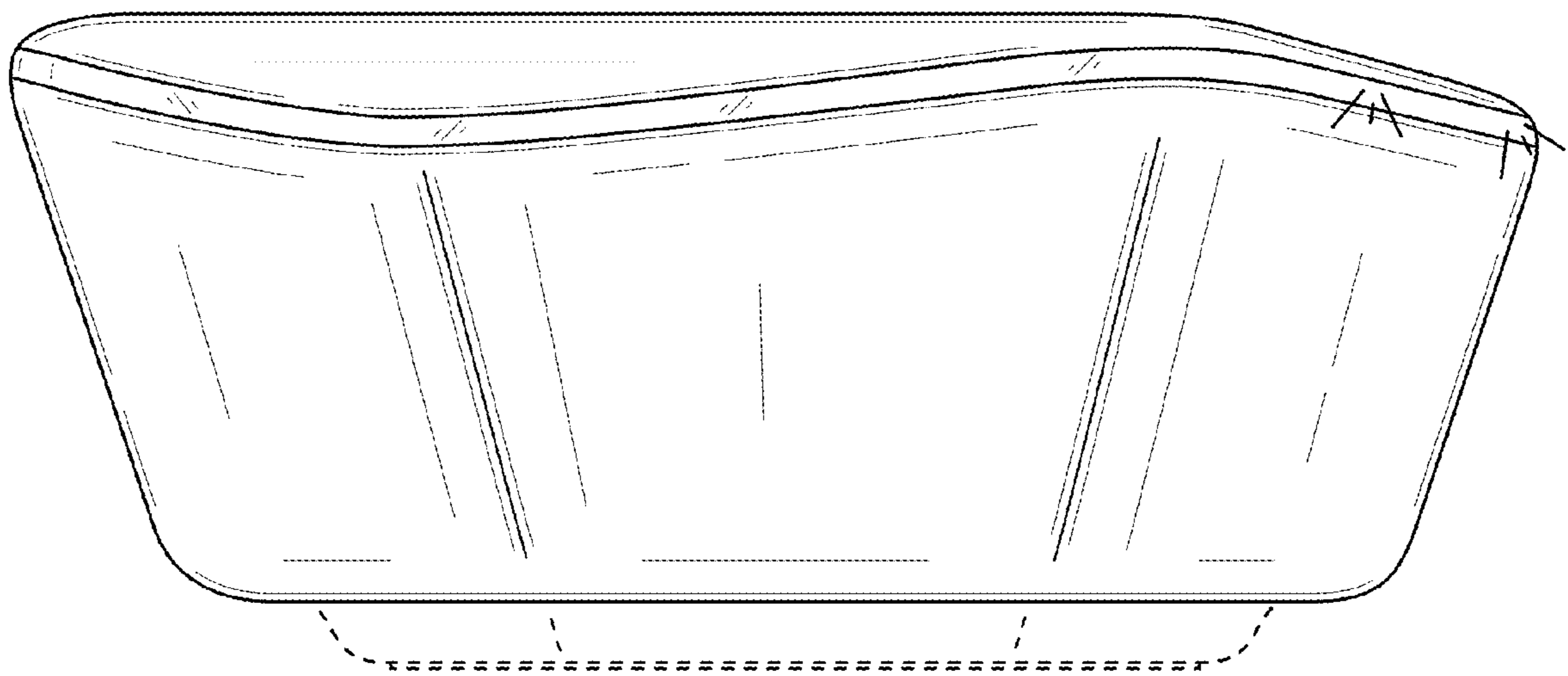


FIG. 12

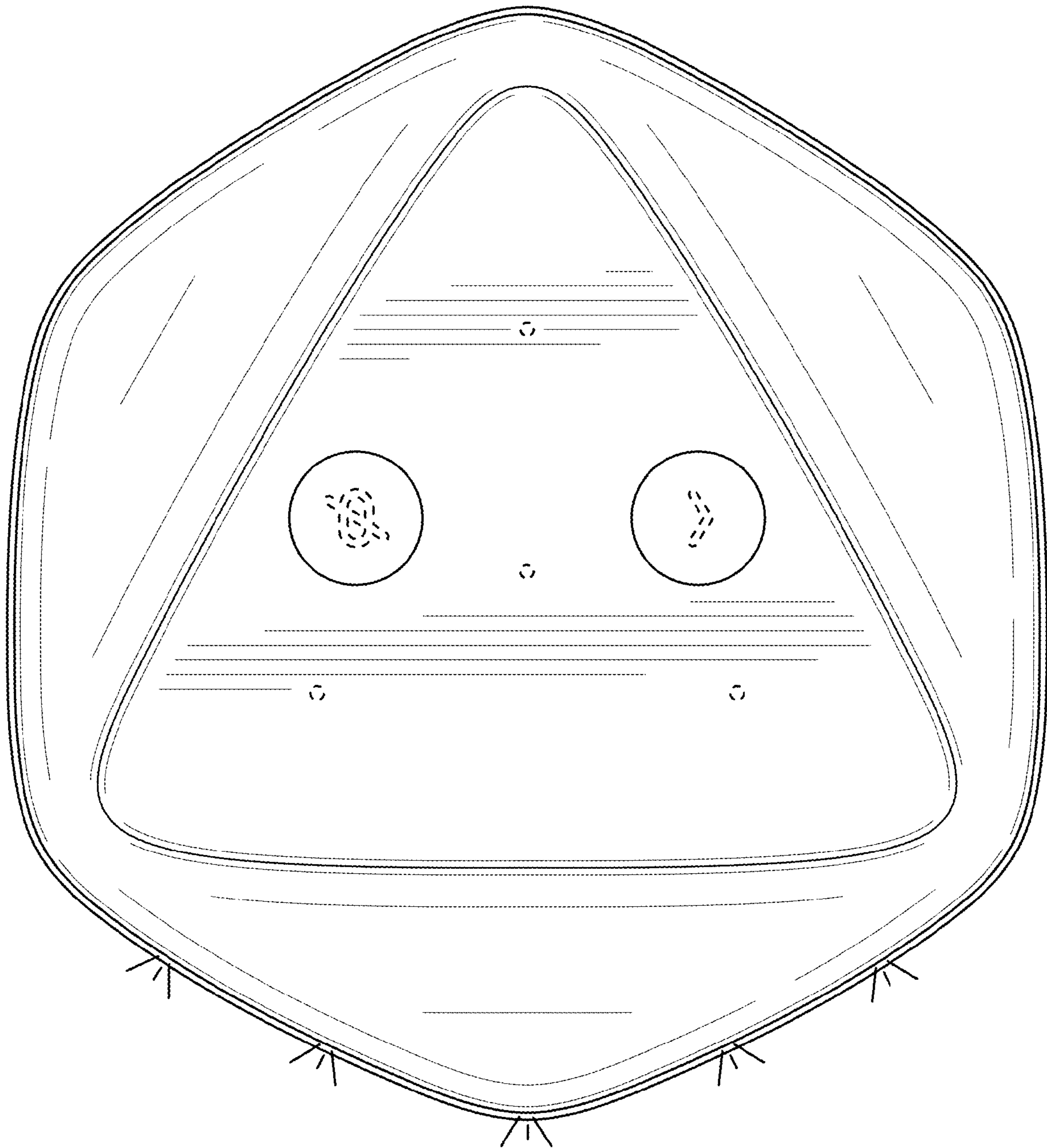


FIG. 13

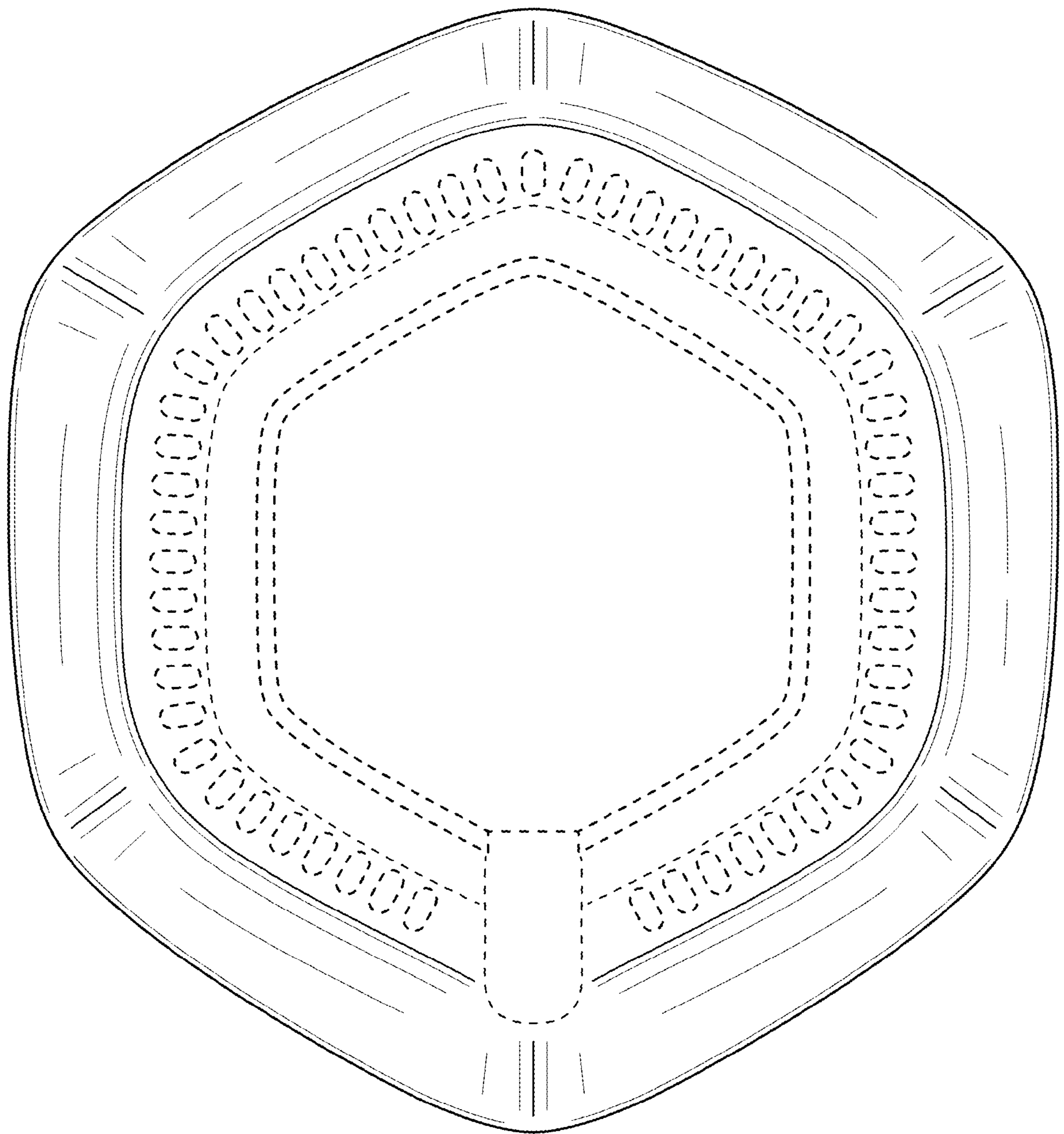


FIG. 14