



US00D954674S

(12) **United States Design Patent** (10) **Patent No.:** **US D954,674 S**
Stefans et al. (45) **Date of Patent:** **** Jun. 14, 2022**

(54) **WIRELESS DEVICE**

(71) Applicant: **Comcast Cable Communications, LLC**, Philadelphia, PA (US)

(72) Inventors: **Erik Stefans**, Philadelphia, PA (US);
Zhe Zhang, Wood Ridge, NJ (US);
Michael Jou, Philadelphia, PA (US);
Neil Epstein, Philadelphia, PA (US);
Henry Homza, Philadelphia, PA (US);
Nicholas Stefano, Haddon Heights, NJ (US);
Clyde Robbins, Bensalem, PA (US)

(73) Assignee: **Comcast Cable Communications, LLC**, Philadelphia, PA (US)

(**) Term: **15 Years**

(21) Appl. No.: **29/739,949**

(22) Filed: **Jun. 30, 2020**

(51) **LOC (13) Cl.** **14-03**

(52) **U.S. Cl.**
USPC **D14/203.1**; D14/225; D14/496;
D14/357; D14/218

(58) **Field of Classification Search**
USPC D14/240, 242, 358, 351, 356, 357, 125,
D14/155, 162, 167, 168, 172, 175, 188,
D14/195, 203.1, 203.6, 203.8, 204, 209.1,
D14/216, 217, 218, 228, 299, 496, 140,
D14/142, 388, 238.1; D13/123, 124, 152,
D13/158, 162, 162.1, 168, 173, 184, 199;
D10/104.1, 46
CPC . G06F 3/16; G06F 3/162; G06F 3/165; G06F
3/167; G10L 15/07
See application file for complete search history.

(56) **References Cited**

U.S. PATENT DOCUMENTS

D262,625 S * 1/1982 Genaro D14/149
D294,569 S * 3/1988 Geraets D14/188

D340,199 S * 10/1993 Taylor D10/106.1
D404,830 S * 1/1999 Childs D24/224
D438,856 S * 3/2001 Uehara D14/203.1
D494,633 S * 8/2004 Nussberger D21/324
D505,645 S * 5/2005 Pacheco D11/86
D513,610 S * 1/2006 Bhakta D14/507
D518,777 S * 4/2006 Christianson D13/133
D532,780 S * 11/2006 Proctor, Jr. D14/240
D561,921 S * 2/2008 Aleksjew D26/37
D643,412 S * 8/2011 Brady D14/218
D673,512 S * 1/2013 Huang D13/168
D702,632 S * 4/2014 Salmon D13/108
D702,686 S * 4/2014 Gerber D14/433

(Continued)

OTHER PUBLICATIONS

Linksys Business Pro Series Wireless-AC Dual-Band MU-MIMO Access Point. [online PDF] 2 pgs. © 2016. [Retrieved on Oct. 2, 2019] https://cc.cnetcontent.com/vcs/SPAF/Linksys/inline-content/9D/19ECE73401CDE5FAB113A34B6A979FBE1781C21D_LAPAC2600ENGLISH_source.PDF.*

Primary Examiner — Marie D. Fast Horse

(74) *Attorney, Agent, or Firm* — Banner & Witcoff, Ltd.

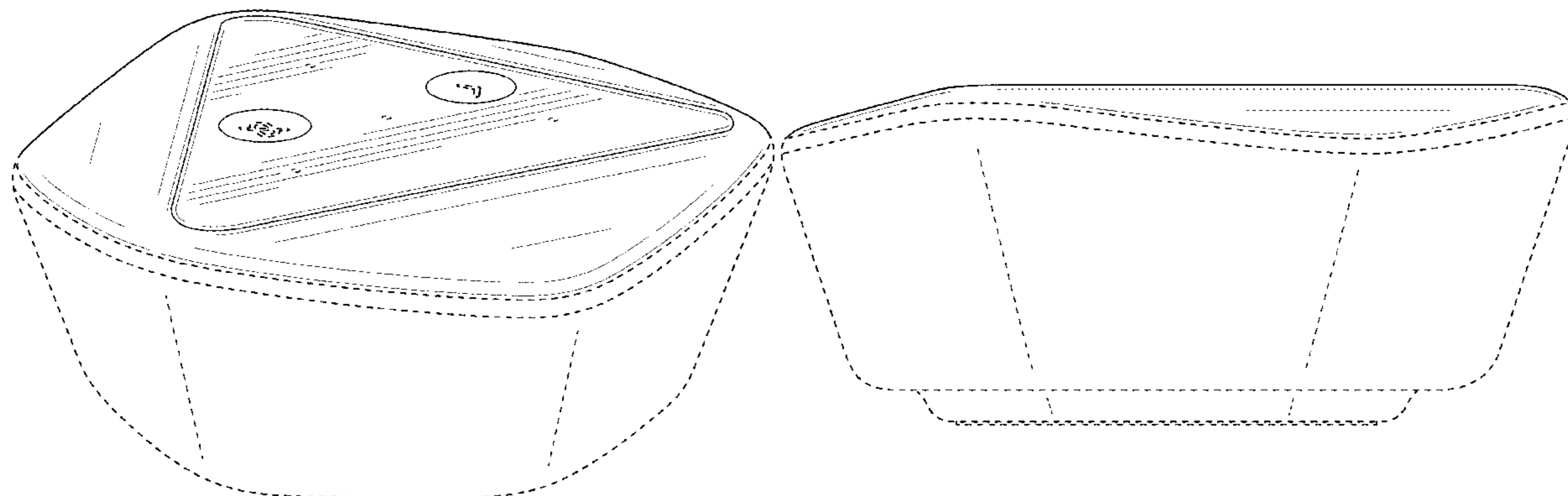
(57) **CLAIM**

The ornamental design for a wireless device, as shown and described.

DESCRIPTION

FIG. 1 is a front perspective view of a wireless device showing our new design;
FIG. 2 is a front view thereof;
FIG. 3 is a rear view thereof;
FIG. 4 is a left side view thereof;
FIG. 5 is a right side view thereof; and,
FIG. 6 is a top view thereof.
The broken lines immediately adjacent to and surrounding the shaded area represent the bounds of the claimed design and form no part thereof. All other broken lines shown in the drawings depict portions of the wireless device that form no part of the claimed design.

1 Claim, 4 Drawing Sheets



(56)

References Cited

U.S. PATENT DOCUMENTS

D716,290 S *	10/2014	Lim	D14/314	D822,717 S *	7/2018	Lim	D14/496
D724,583 S *	3/2015	Ge	D14/358	D826,205 S *	8/2018	Langhammer	D14/203.6
D729,773 S *	5/2015	Salojarvi	D14/218	D827,598 S *	9/2018	Kwon	D14/125
D737,825 S *	9/2015	Kumar	D14/433	D834,560 S *	11/2018	Hardi	D14/218
D740,262 S *	10/2015	Hasegawa	D14/240	D839,263 S *	1/2019	Lee	D14/301
D741,539 S *	10/2015	Gettings	D26/152	D843,356 S *	3/2019	Stevenson	D14/230
D741,728 S *	10/2015	Gettings	D10/52	D844,593 S *	4/2019	Bould	D14/240
D743,819 S *	11/2015	Golnik	D10/70	D847,106 S *	4/2019	Koo	D14/125
D745,865 S *	12/2015	Hsu	D14/240	D848,398 S *	5/2019	Huang	D14/216
D746,511 S *	12/2015	Gettings	D26/152	D848,405 S *	5/2019	Bould	D14/240
D751,538 S *	3/2016	Koehler	D14/240	D851,075 S *	6/2019	Ramones	D14/242
D760,221 S *	6/2016	Maruyama	D14/357	D854,518 S *	7/2019	Zhang	D14/218
D761,139 S *	7/2016	Golnik	D10/70	D855,040 S *	7/2019	Fu	D14/242
D761,676 S *	7/2016	Golnik	D10/70	10,367,317 B1 *	7/2019	Rahner	H01R 13/506
D771,039 S *	11/2016	Windstrup	D14/356	D855,595 S *	8/2019	Yang	D14/242
D771,142 S *	11/2016	Langhammer	D14/496	D857,650 S *	8/2019	Hardi	D14/205
D775,233 S *	12/2016	Beck	D14/496	D858,499 S *	9/2019	Yang	D14/242
D778,826 S *	2/2017	Broadhurst, IV	D13/107	D860,937 S *	9/2019	Slaatto	D13/108
D782,429 S *	3/2017	Xianda	D14/125	10,462,929 B1 *	10/2019	Su	H01Q 1/44
D784,307 S *	4/2017	Yoon	D14/240	D877,149 S *	3/2020	Johnston	D14/388
D785,608 S *	5/2017	Weaver	D14/240	D878,325 S *	3/2020	Paterson	D14/203.1
D790,460 S *	6/2017	HibmaCronan	D13/110	D879,053 S *	3/2020	Yu	D13/168
D790,461 S *	6/2017	HibmaCronan	D13/110	D883,294 S *	5/2020	Xie	D14/434
D792,468 S *	7/2017	Langhammer	D14/496	D885,367 S *	5/2020	Guo	D14/216
D797,711 S *	9/2017	Chui	D14/240	D888,698 S *	6/2020	HibmaCronan	D14/240
D801,410 S *	10/2017	Kim	D14/203.3	D900,821 S *	11/2020	Johnston	D14/388
D802,462 S *	11/2017	Morneau	D10/101	D901,431 S *	11/2020	Paterson	D14/203.1
D804,531 S *	12/2017	Beck	D14/496	D912,030 S *	3/2021	Bould	D14/240
D806,072 S *	12/2017	Gummalla	D14/358	D920,944 S *	6/2021	Paterson	D14/203.1
D808,389 S *	1/2018	Judge	D14/240	D922,381 S *	6/2021	Mills	D14/358
D809,951 S *	2/2018	Yang	D10/104.1	D924,214 S *	7/2021	Homza	D14/240
D814,042 S *	3/2018	Chan	D24/186	D924,215 S *	7/2021	Homza	D14/240
D815,149 S *	4/2018	Langhammer	D14/496	D926,687 S *	8/2021	Helgeson	D13/110
D820,238 S *	6/2018	Boshernitzan	D14/218	D933,641 S *	10/2021	Bould	D14/240
D820,318 S *	6/2018	Mullins	D14/496	D934,193 S *	10/2021	Zhang	D14/204
				2019/0104640 A1 *	4/2019	Chang	H05K 7/20509
				2019/0372203 A1 *	12/2019	Su	H01Q 1/1221

* cited by examiner

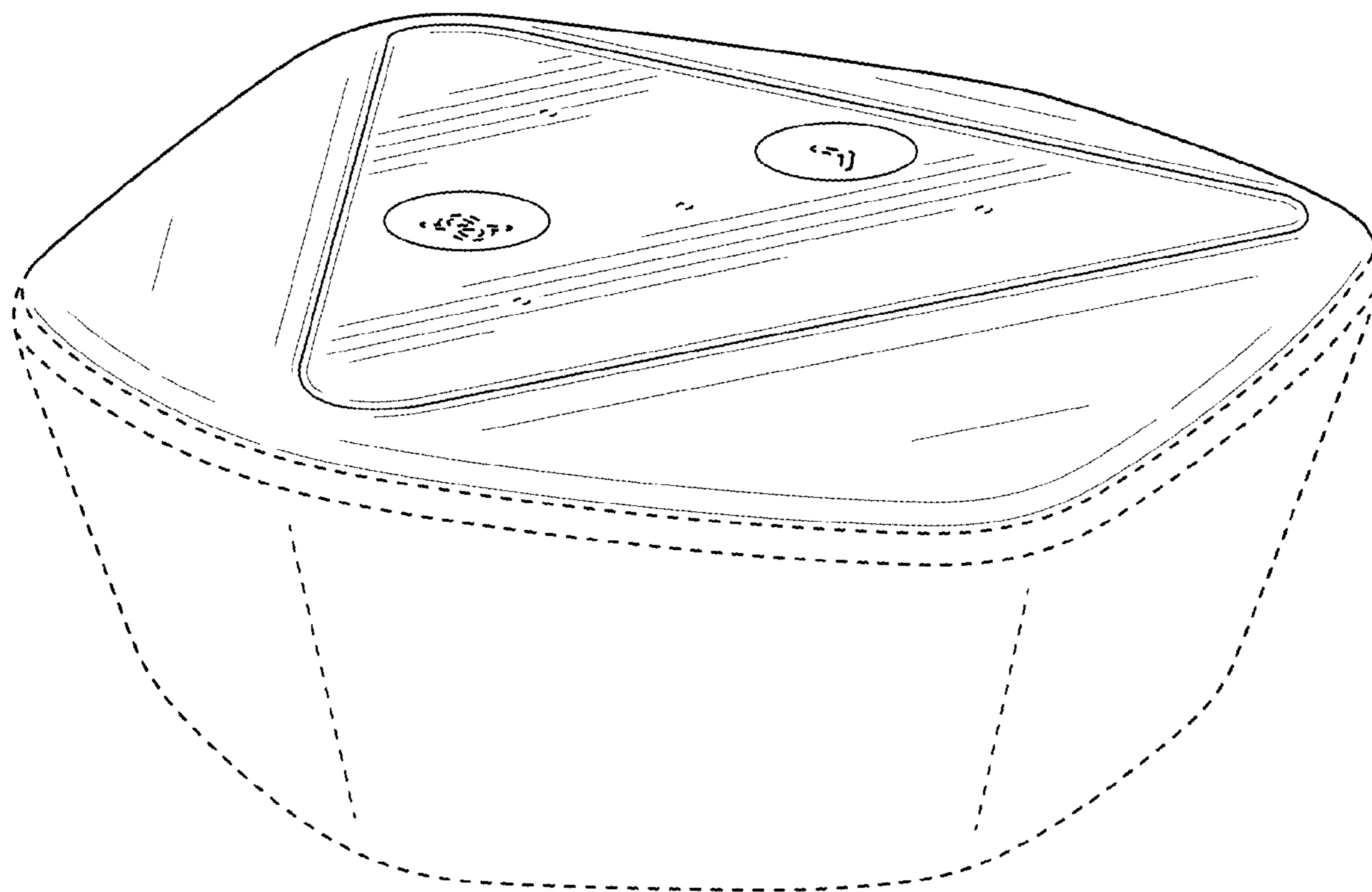


FIG. 1

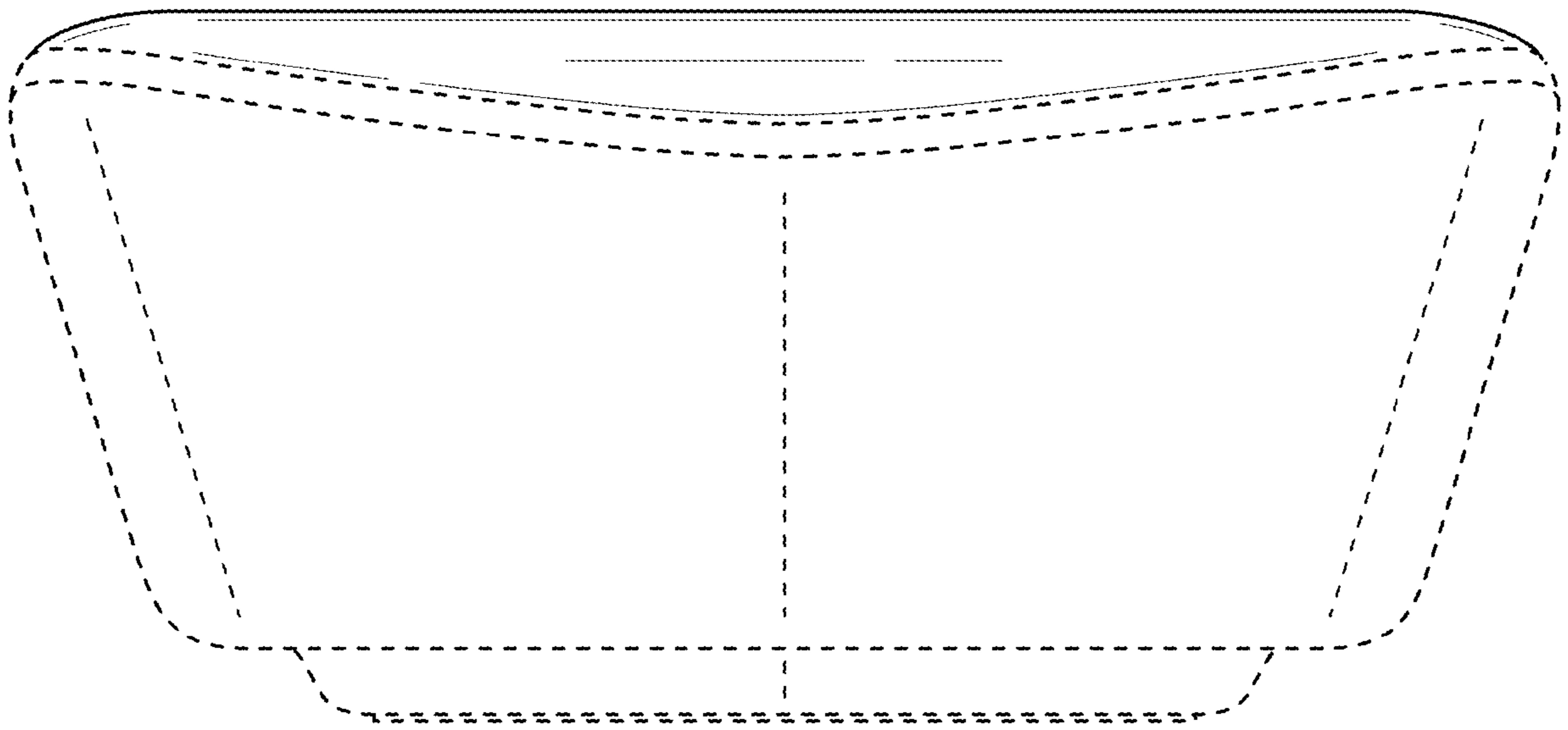


FIG. 2

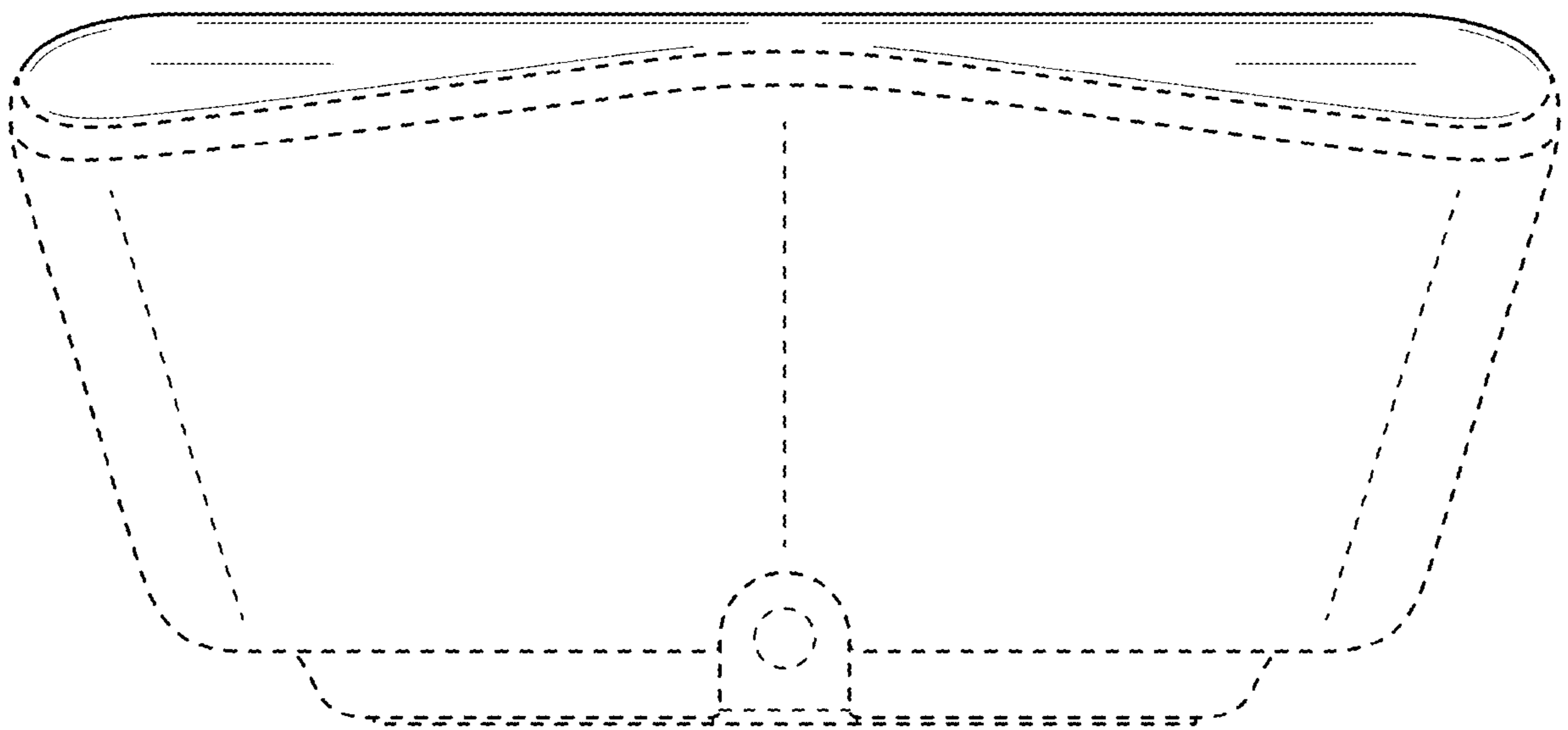


FIG. 3

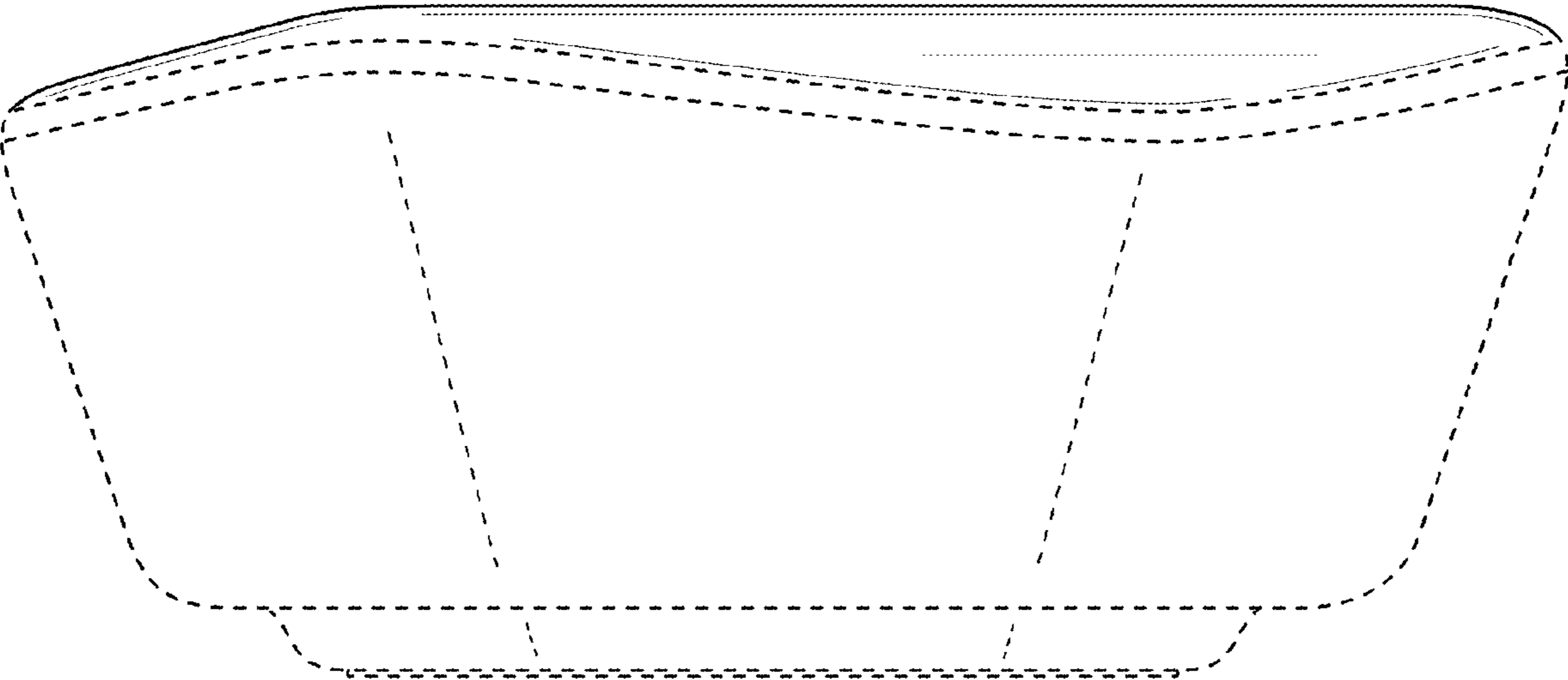


FIG. 4

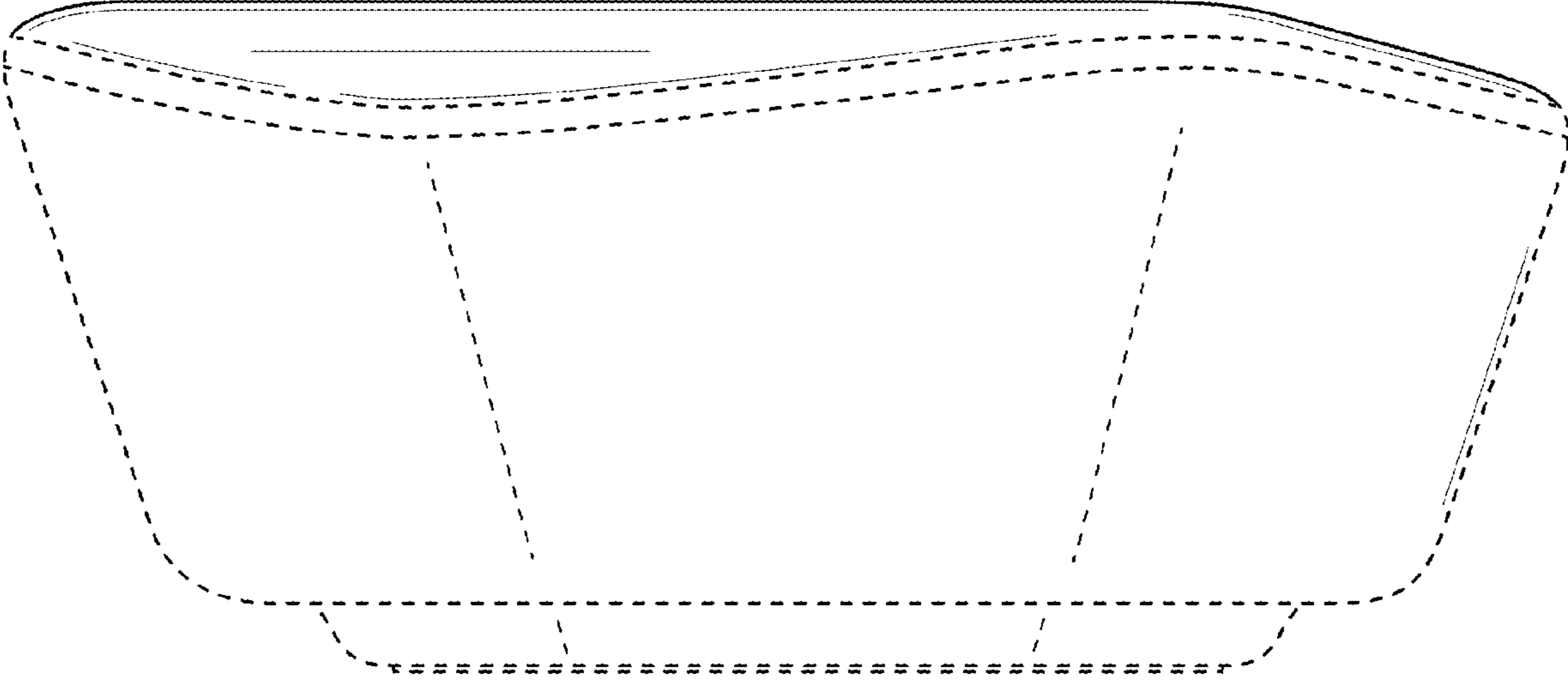


FIG. 5

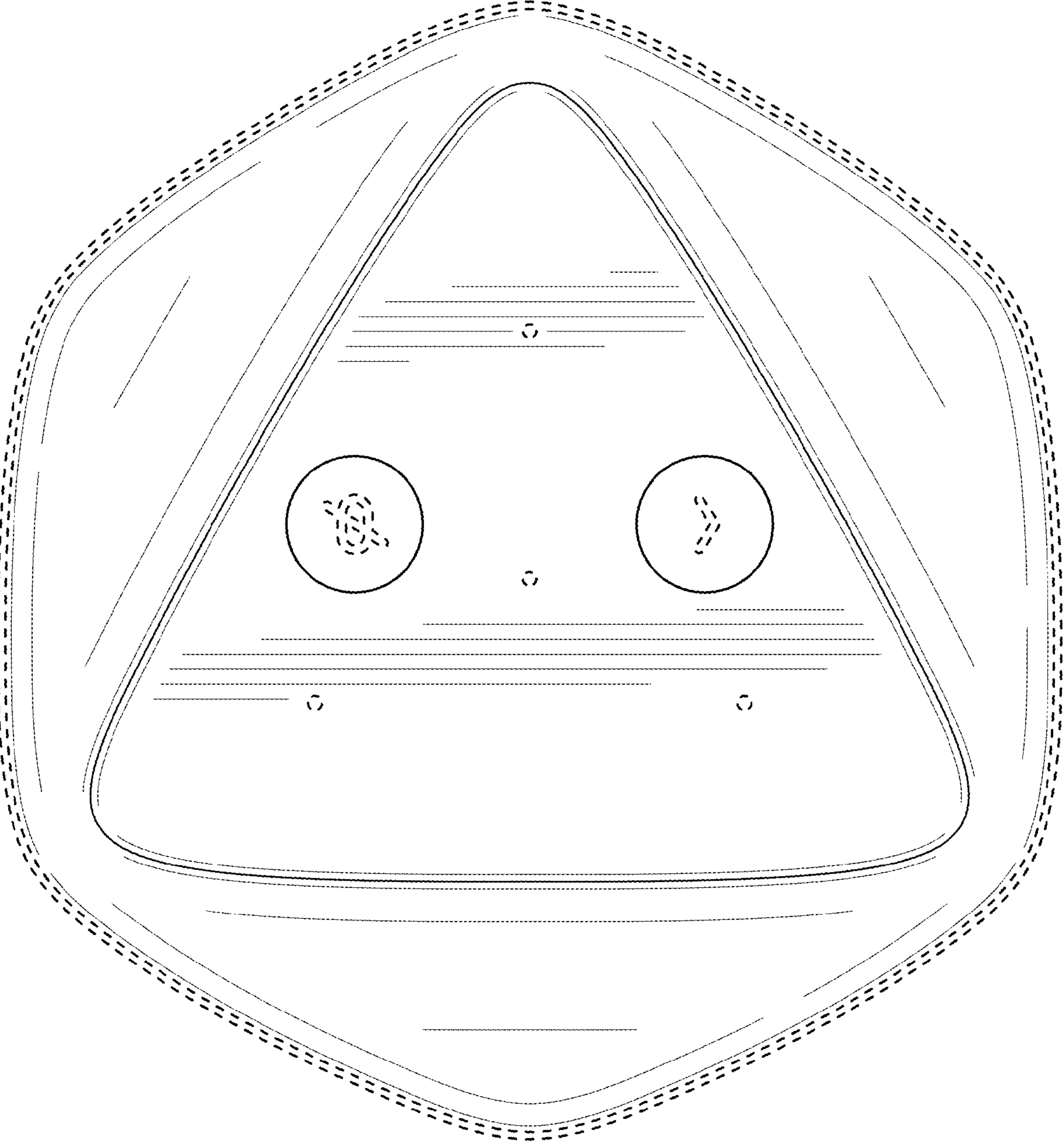


FIG. 6