

US00D954664S

(12) **United States Design Patent** (10) **Patent No.:** **US D954,664 S**
Sonneman et al. (45) **Date of Patent:** **** Jun. 14, 2022**

(54) **HEAT SINK**
(71) Applicant: **Contemporary Visions, LLC**,
Larchmont, NY (US)
(72) Inventors: **Robert A. Sonneman**, Mamaroneck,
NY (US); **Christian N. Garnett**, Mount
Kisco, NY (US); **Yangyang Wang**,
Scarsdale, NY (US); **Nuno Pires Da
Silva**, Lisbon (PT)

D873,224 S * 1/2020 Mishim D13/179
10,532,824 B2 * 1/2020 Ricca F21V 23/009
10,697,615 B1 * 6/2020 Rashidi Doust F21V 23/005
10,907,801 B1 * 2/2021 Zheng F21V 13/02
11,067,254 B1 * 7/2021 Johnson F21V 14/02
11,215,332 B2 * 1/2022 Spicer F21S 8/026
2005/0063159 A1 * 3/2005 Ma F28F 3/02
361/704
2016/0091192 A1 * 3/2016 Lin F21V 29/83
362/294

(Continued)

(**) Term: **15 Years**

OTHER PUBLICATIONS

(21) Appl. No.: **29/788,132**

3dprinting.lighting, "3D Printed Heat Sinks Display Higher Efficiency", Published Jul. 12, 2019. (<https://www.3dprinting.lighting/3d-printed-heat-sinks-display-higher-efficiency/>) (Year: 2019).*

(22) Filed: **Mar. 24, 2021**

(Continued)

(51) **LOC (13) Cl.** **13-03**

(52) **U.S. Cl.**
USPC **D13/179**

Primary Examiner — April Rivas
(74) *Attorney, Agent, or Firm* — Gottlieb, Rackman & Reisman, PC

(58) **Field of Classification Search**
USPC D13/179, 182; D23/231; D14/230
CPC . H01Q 1/428; H01Q 1/02; H01Q 1/38; H01L
23/367; H01L 23/3672; H05K 7/20254;
F28F 3/022; F28F 3/04; F28F 21/065;
G02B 1/111; F21V 29/745; F21V 29/773;
F21V 29/75; F21V 29/70

(57) **CLAIM**

The ornamental design for a heat sink, as shown and described.

See application file for complete search history.

DESCRIPTION

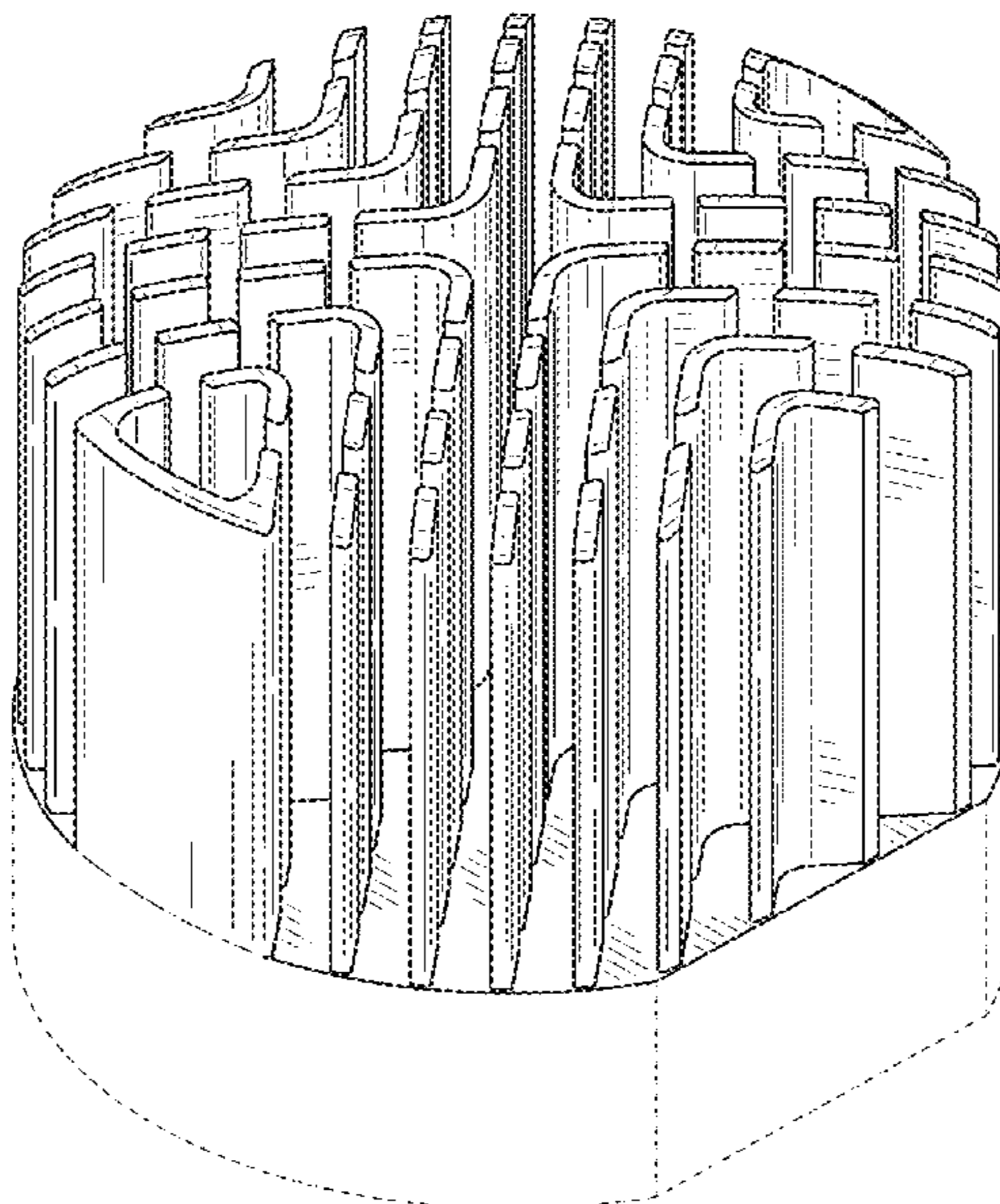
(56) **References Cited**

FIG. 1 is a perspective view of a heat sink of a lighting system showing our new design;
FIG. 2 is a first side elevational view thereof;
FIG. 3 is a second side elevational view thereof;
FIG. 4 is a third side elevational view thereof;
FIG. 5 is a fourth side elevational view thereof;
FIG. 6 is a top plan view thereof; and,
FIG. 7 is a bottom plan view thereof.
The broken lines shown in the drawings are included for the purpose of illustrating elements of the heat sink of a lighting system and form no part of the claimed design.

U.S. PATENT DOCUMENTS

D634,279 S * 3/2011 Chua D13/179
D634,281 S * 3/2011 Chua D13/179
D691,315 S * 10/2013 Samson D26/74
8,567,987 B2 * 10/2013 Wronski F21V 29/74
362/236
D736,724 S * 8/2015 Shum D13/179
D762,181 S * 7/2016 Lin F21V 29/83
D13/179
D793,350 S * 8/2017 Kenchappa D13/179
10,378,733 B1 * 8/2019 McLellan F21S 41/143
D864,880 S * 10/2019 Mishim D13/179

1 Claim, 4 Drawing Sheets



(56)

References Cited

U.S. PATENT DOCUMENTS

2016/0298913 A1* 10/2016 Guo F28F 3/048

OTHER PUBLICATIONS

Cooliance, "Successful Case", Accessed Jan. 26, 2022. (<http://www.cooliance.cn/en/photo/photo-56-610.html>) (Year: 2022).*

* cited by examiner

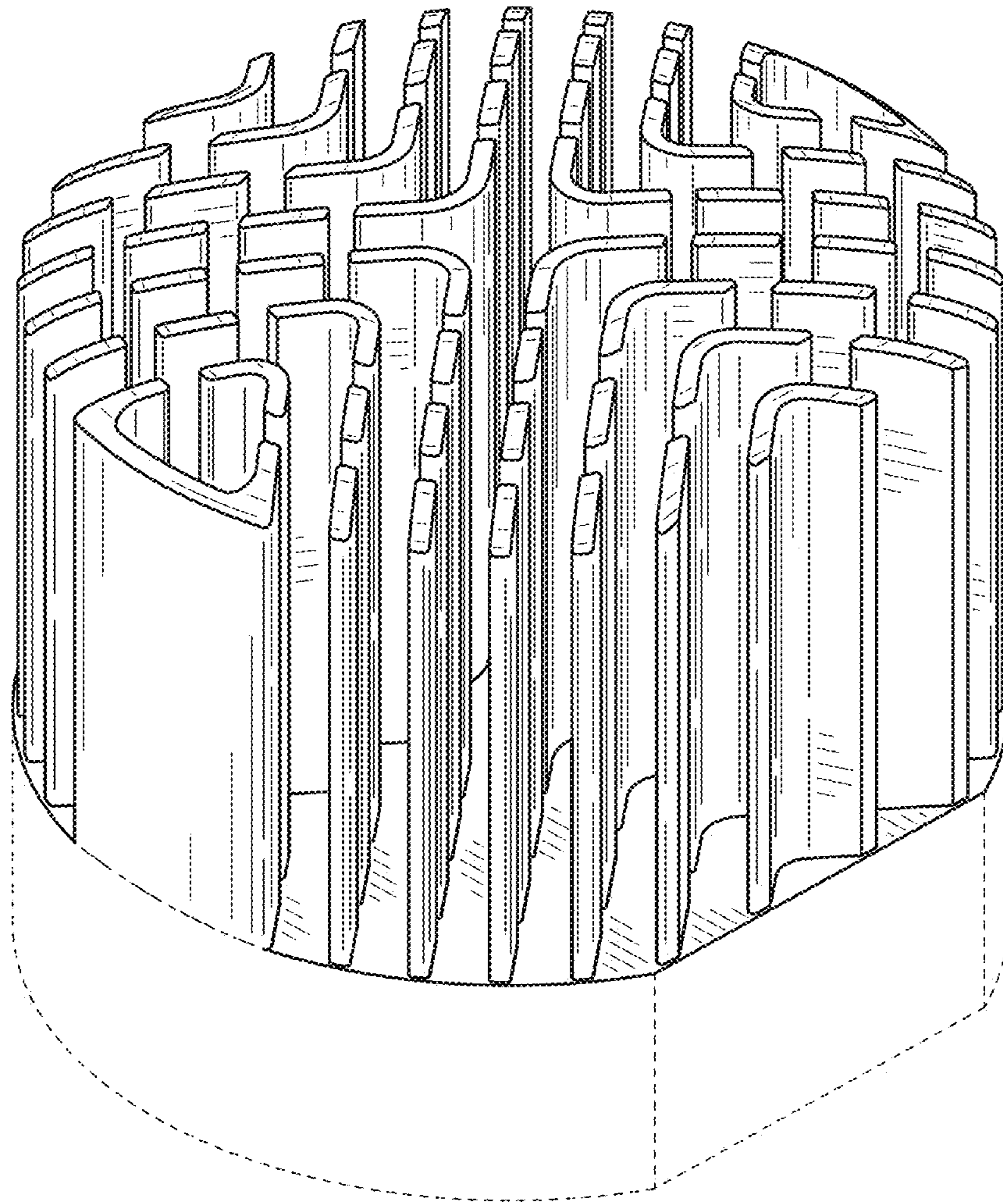


FIG. 1

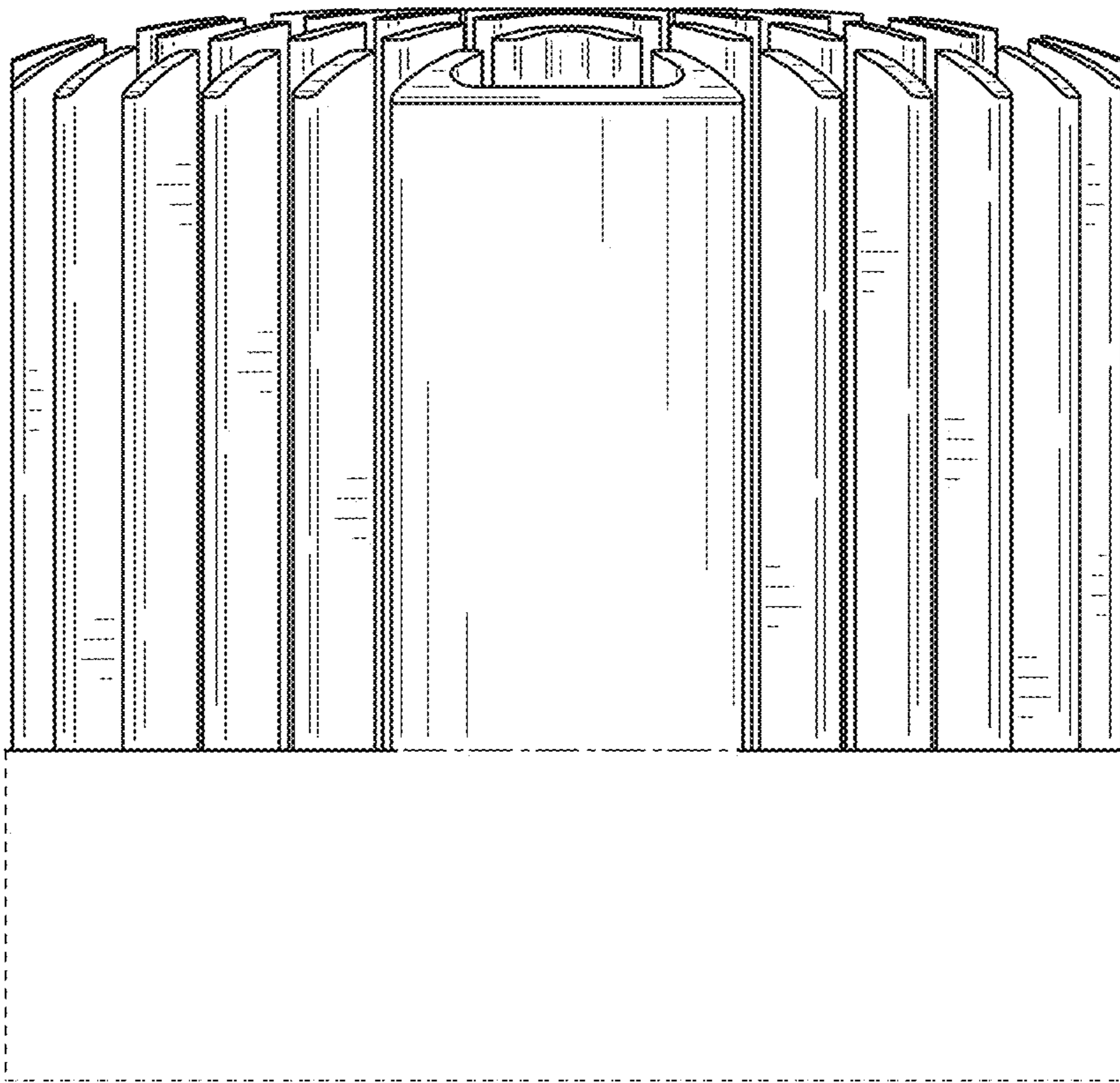


FIG. 2

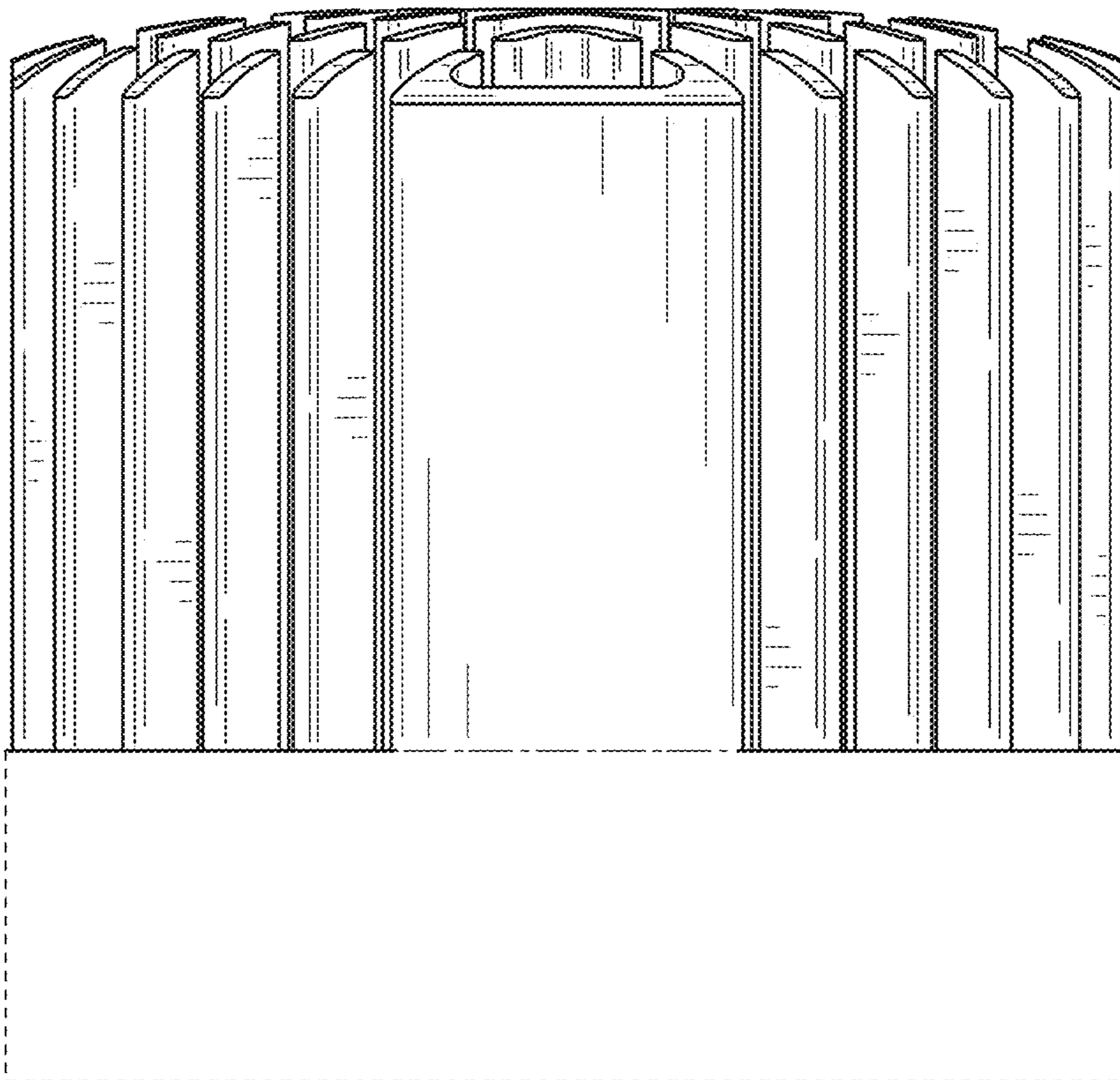


FIG. 3

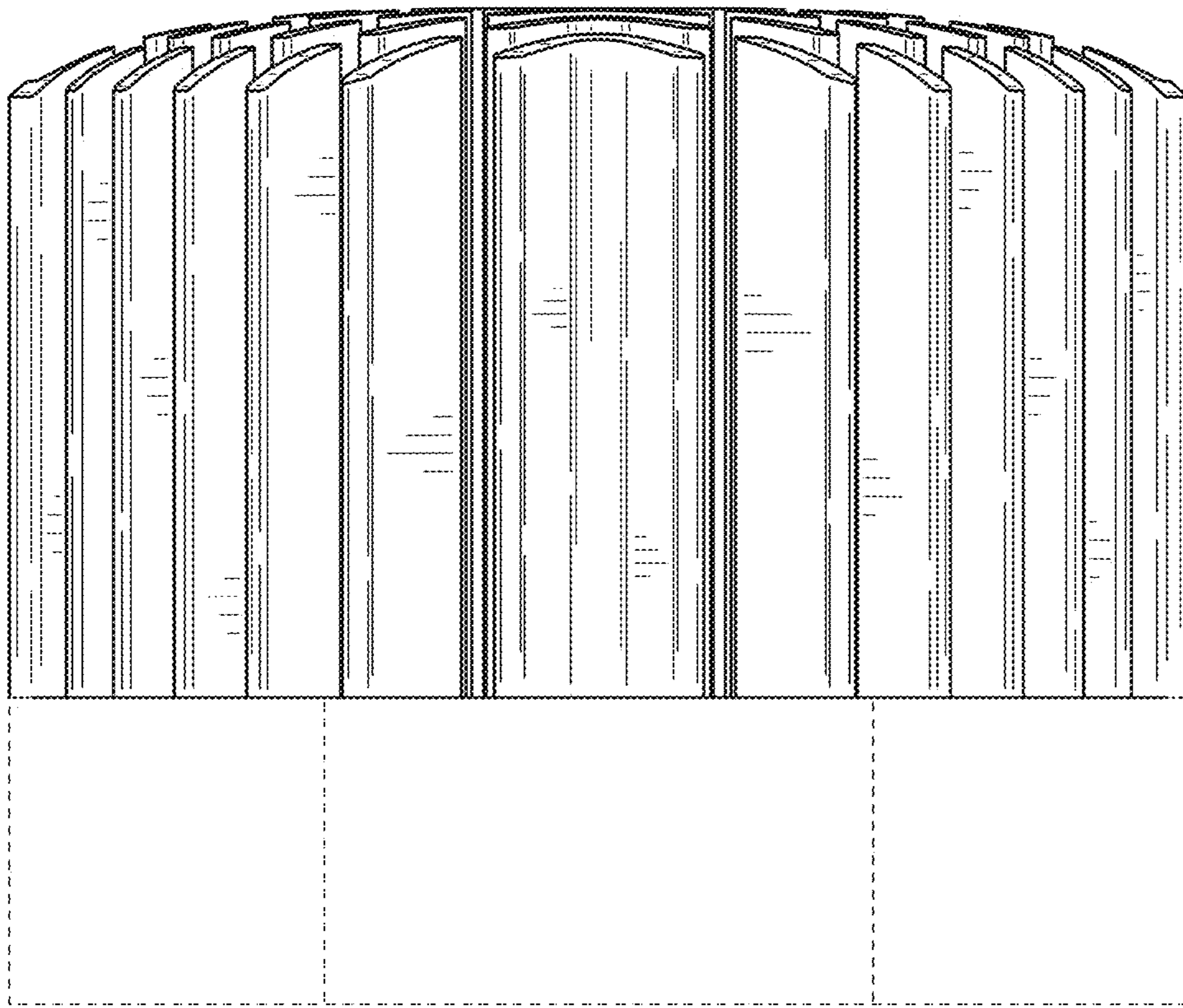


FIG. 4

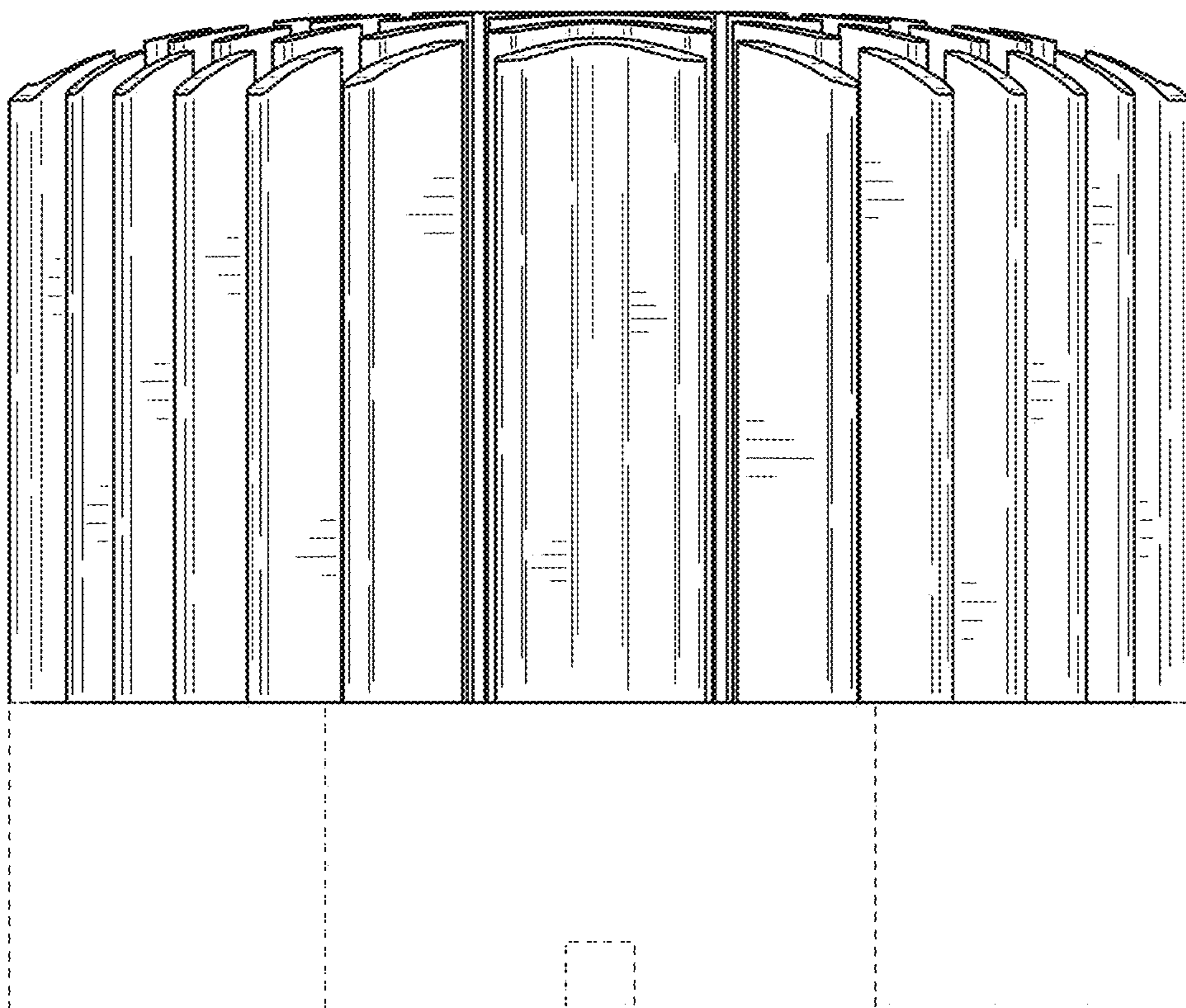


FIG. 5

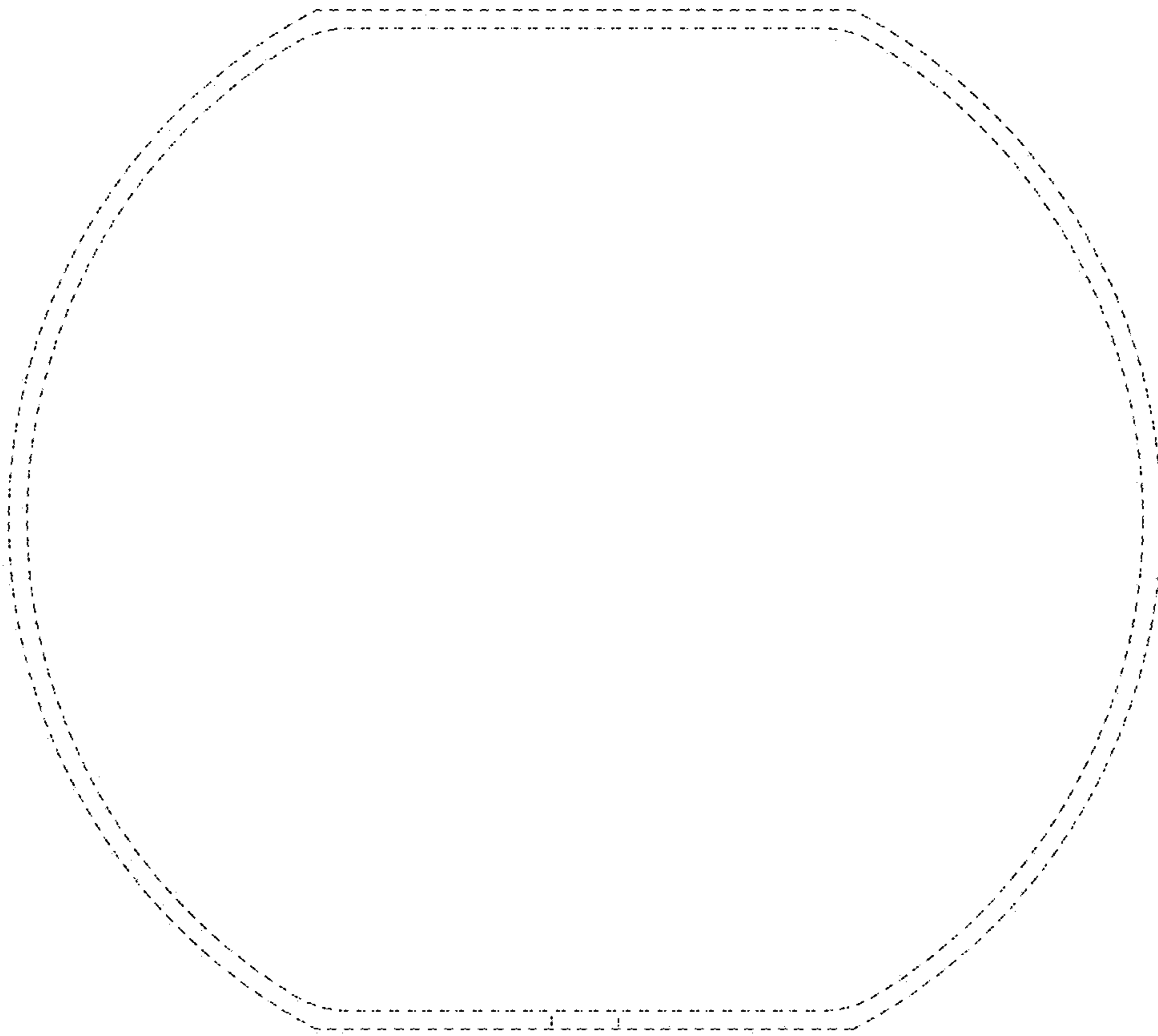


FIG. 7

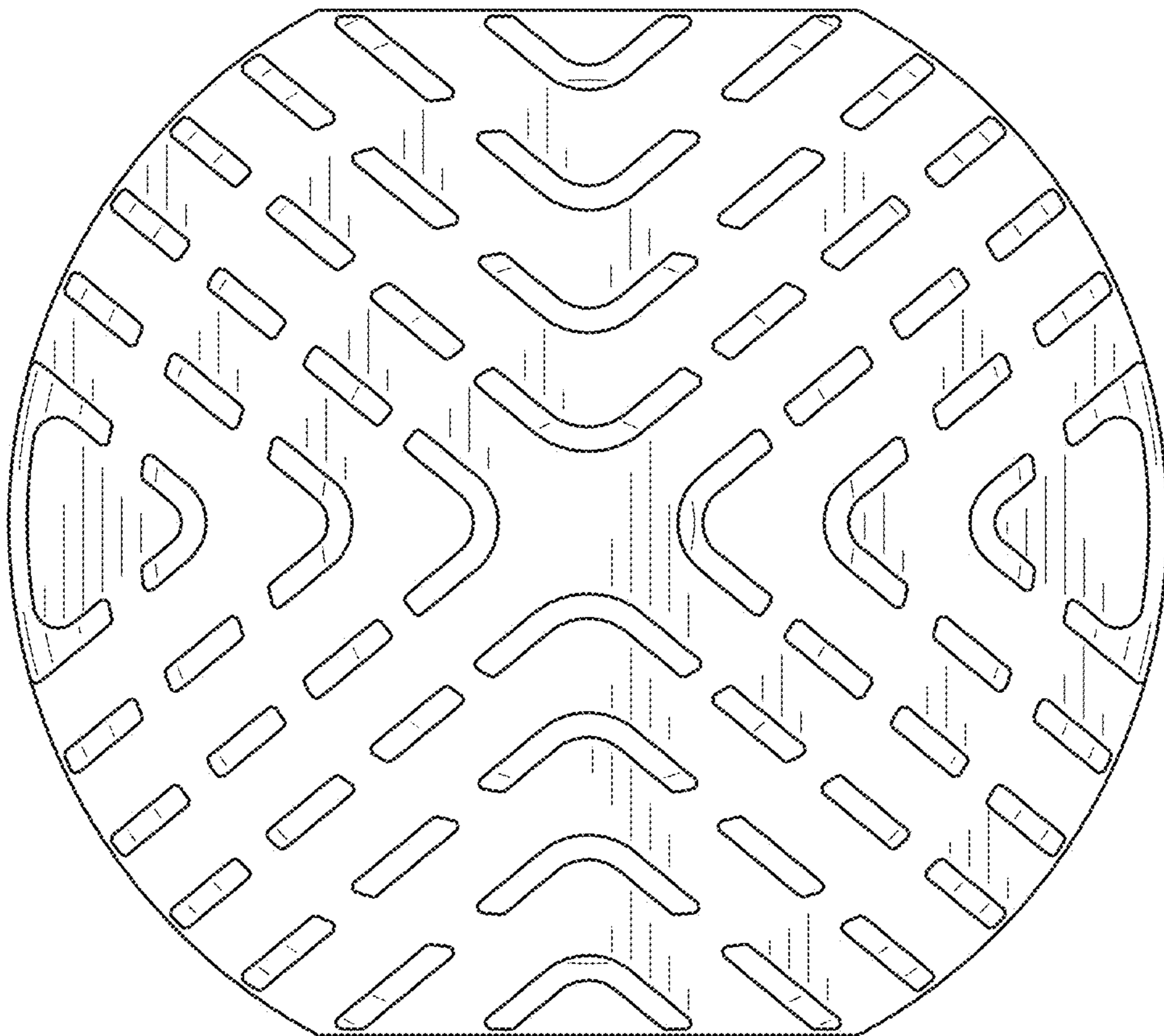


FIG. 6