



US00D954660S

(12) **United States Design Patent** (10) **Patent No.:** **US D954,660 S**
Shao (45) **Date of Patent:** **** Jun. 14, 2022**

(54) **HAND CONTROLLER**

(71) Applicant: **Ningbo Dazui Robot Technology Co., Ltd.**, Yuyao (CN)

(72) Inventor: **Juan Shao**, Yuyao (CN)

(73) Assignee: **Ningbo Dazui Robot Technology Co., Ltd.**, Yuyao (CN)

(**) Term: **15 Years**

(21) Appl. No.: **29/763,735**

(22) Filed: **Dec. 23, 2020**

(51) **LOC (13) Cl.** **14-03**

(52) **U.S. Cl.**
USPC **D13/168**

(58) **Field of Classification Search**
USPC D13/162, 168, 171; D14/217, 218
CPC G08C 17/02; H01H 9/02; H01H 9/0214;
H01H 9/0235; H04B 1/202; F21S 4/00;
F21S 4/10; F21S 4/20; G05B 15/02
See application file for complete search history.

(56) **References Cited**

U.S. PATENT DOCUMENTS

D402,966 S * 12/1998 Lim D14/218
D430,854 S * 9/2000 Vende D13/168
D540,749 S * 4/2007 Kaule D13/168
D572,205 S * 7/2008 Landerholm D13/168
D600,654 S * 9/2009 Liao D13/164
D609,196 S * 2/2010 Chiang D13/164

D662,478 S * 6/2012 Rantala D13/168
D715,230 S * 10/2014 Rantala D13/168
D776,090 S * 1/2017 Huang D14/218
D782,985 S * 4/2017 Mishan D13/168
D790,483 S * 6/2017 Yoon D13/168
D808,909 S * 1/2018 Findik D13/168
D840,360 S * 2/2019 Scott D13/168
D851,607 S * 6/2019 Chen D13/168
D852,148 S * 6/2019 Shen D13/168
D867,345 S * 11/2019 Zhuang D14/218
D868,038 S * 11/2019 Chen D14/218
D879,054 S * 3/2020 Shen D13/168
D916,035 S * 4/2021 Shi D14/218
D929,949 S * 9/2021 Li D13/168
2008/0012747 A1* 1/2008 Bredow G05B 15/02
341/176

* cited by examiner

Primary Examiner — Selina Sikder

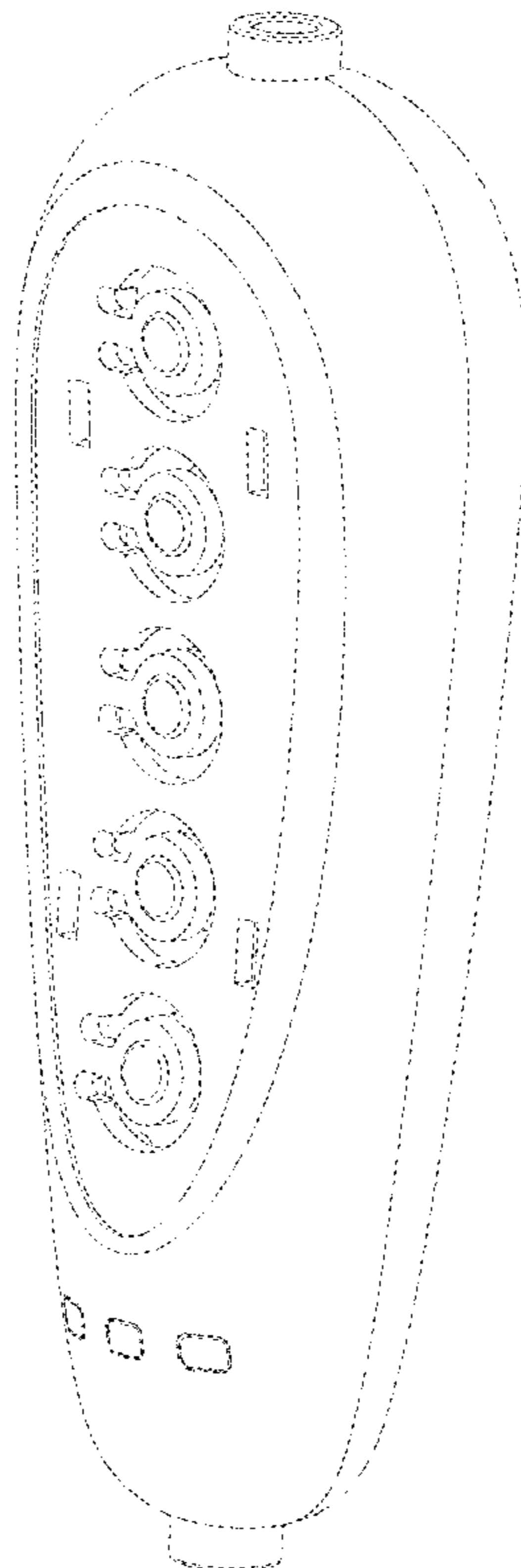
(57) **CLAIM**

The ornamental design for hand controller, as shown and described.

DESCRIPTION

FIG. 1 is a front perspective view of hand controller showing my new design;
FIG. 2 is a front elevational view thereof;
FIG. 3 is a rear elevational view thereof;
FIG. 4 is a left side elevational view thereof;
FIG. 5 is a right side elevational view thereof;
FIG. 6 is a top plan view thereof; and,
FIG. 7 is a bottom plan view thereof.

1 Claim, 7 Drawing Sheets



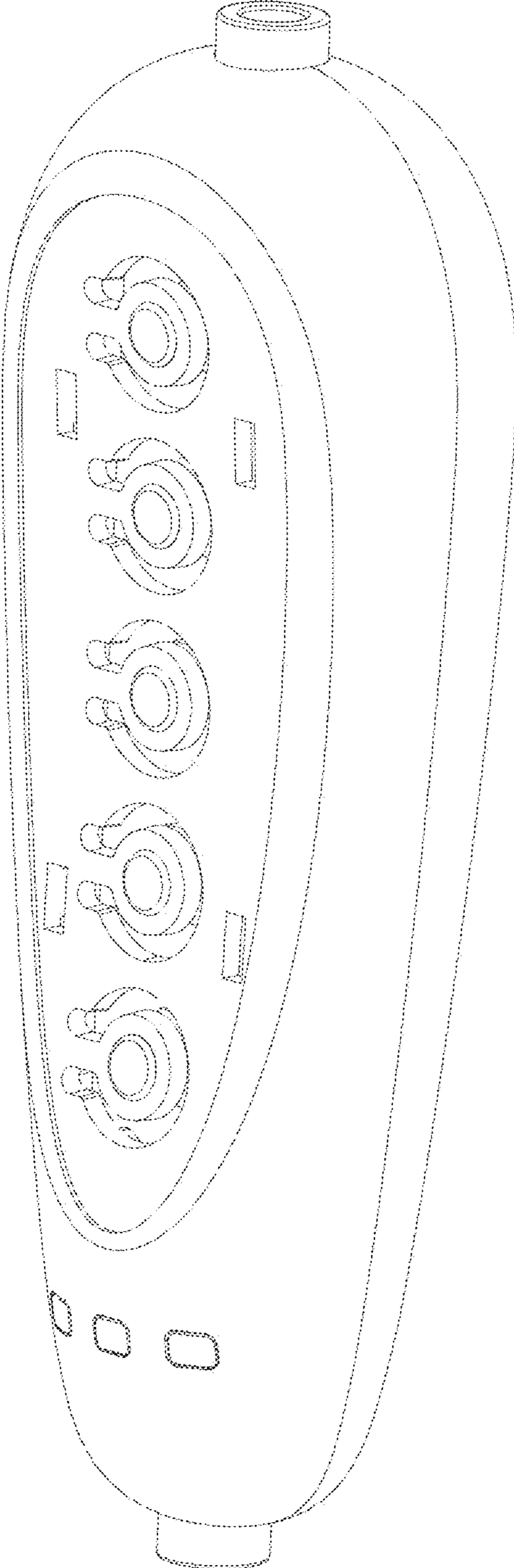


FIG. 1

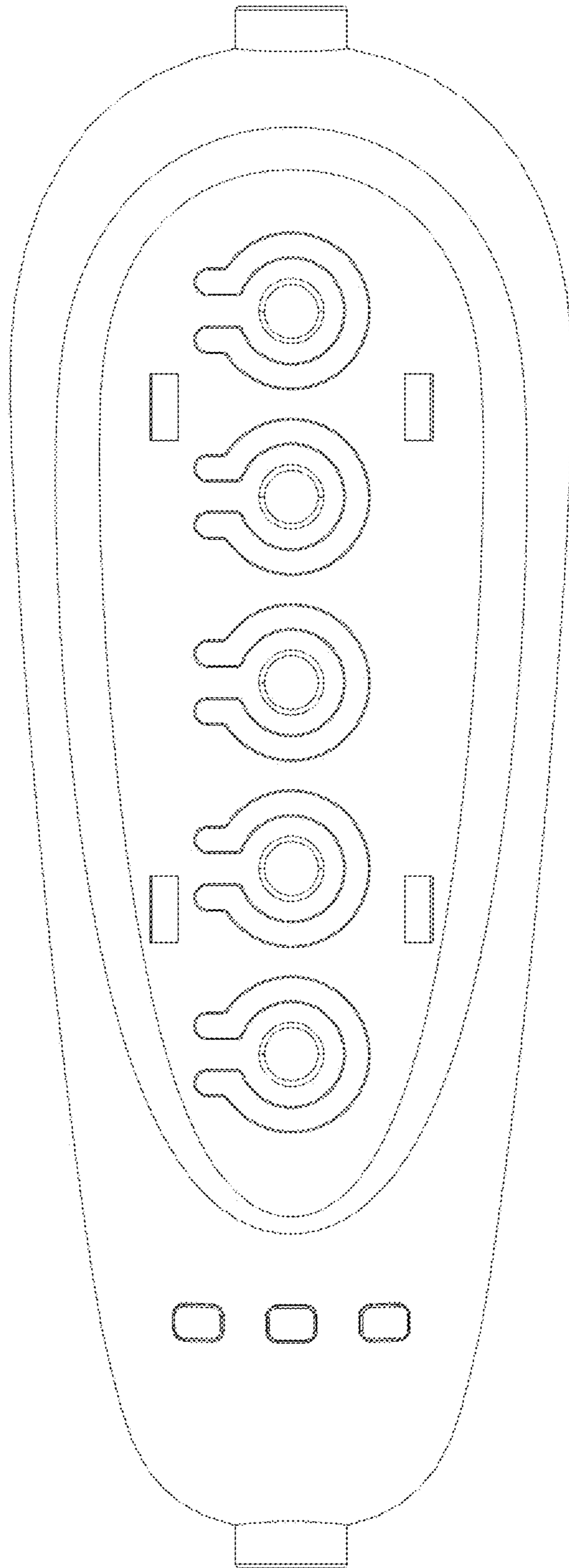


FIG. 2

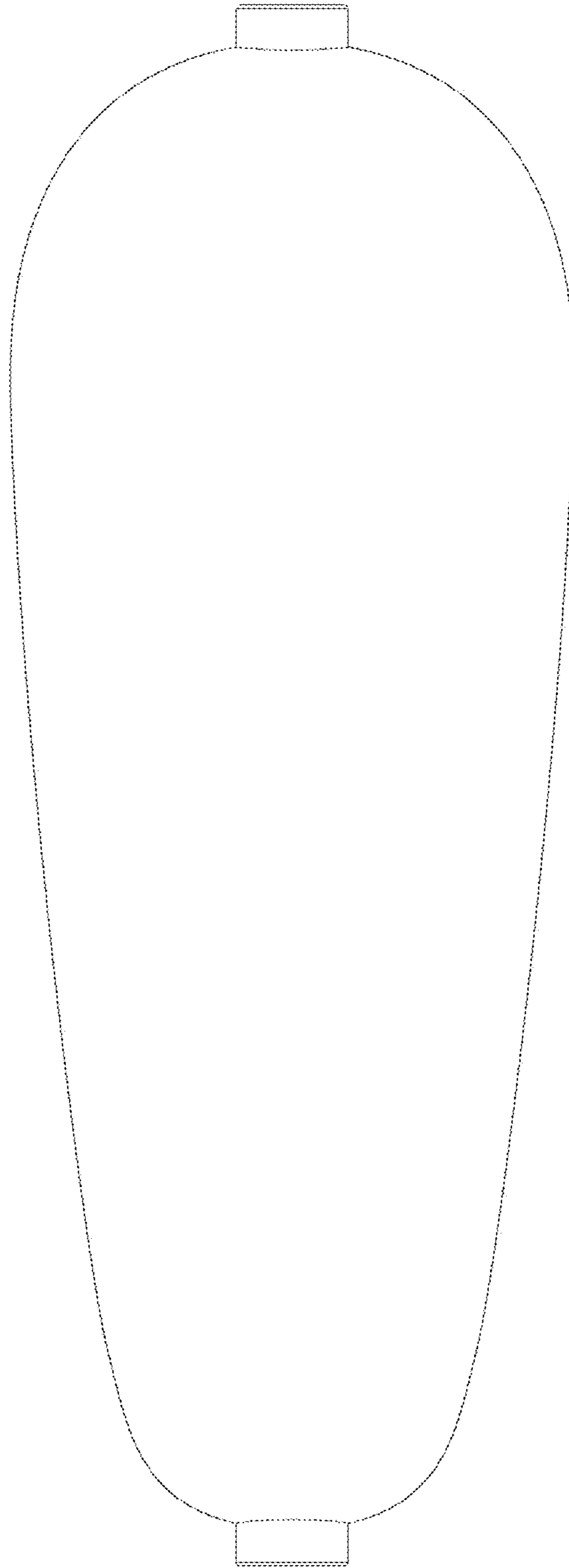


FIG. 3

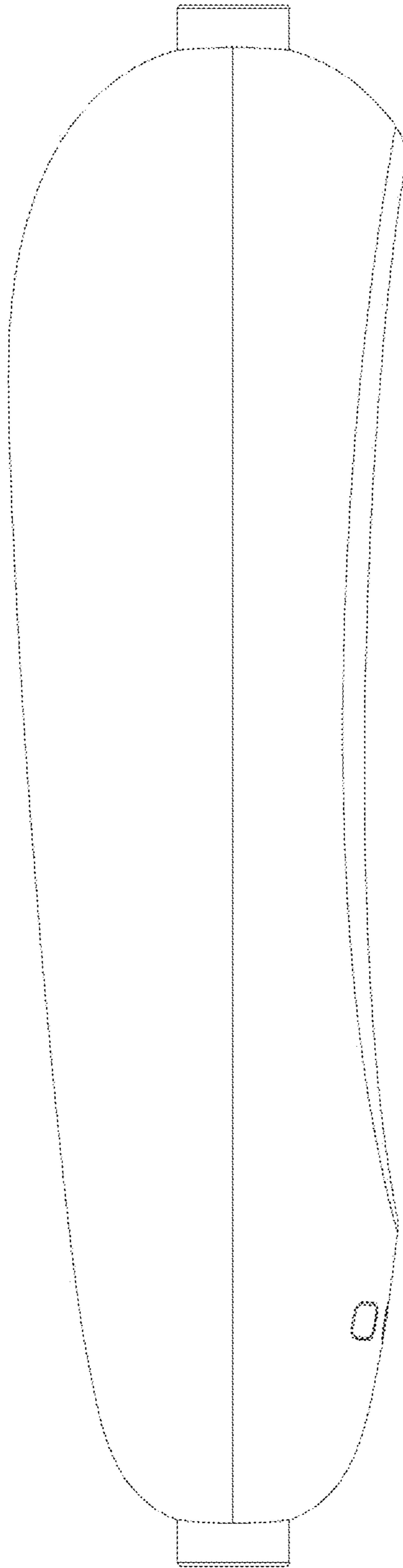


FIG. 4

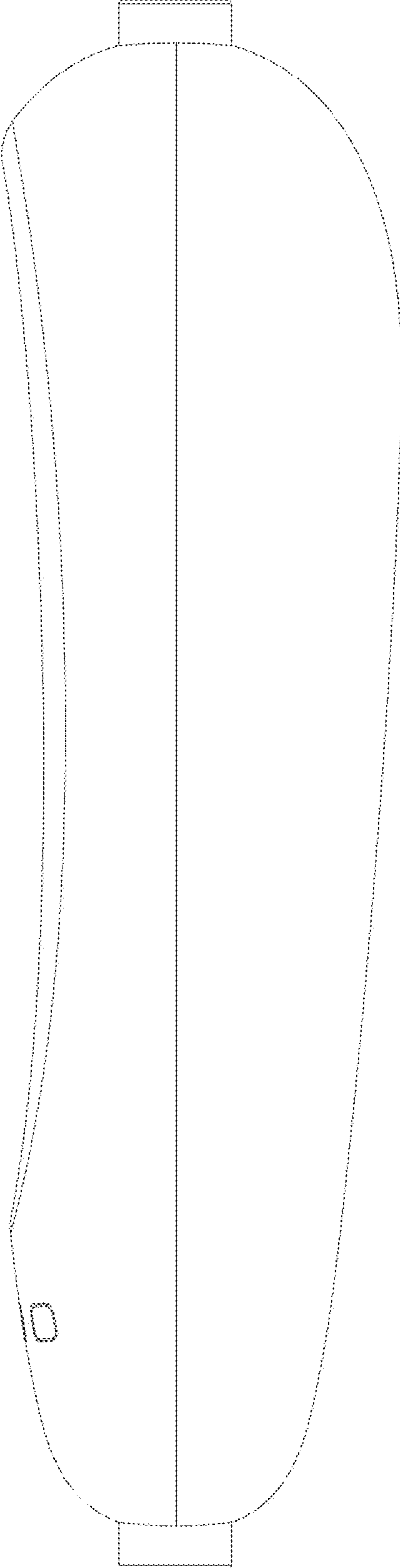


FIG. 5

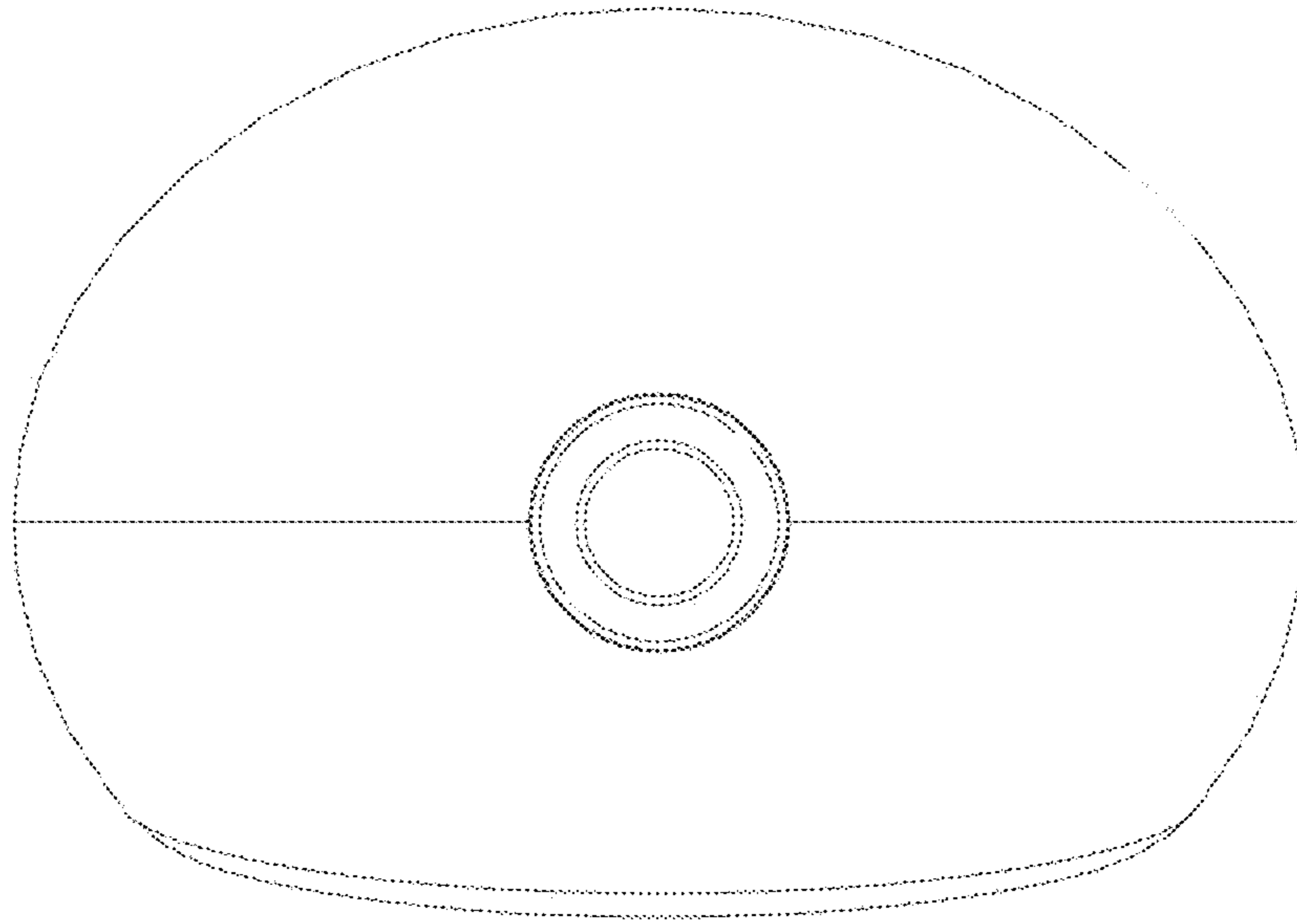


FIG. 6

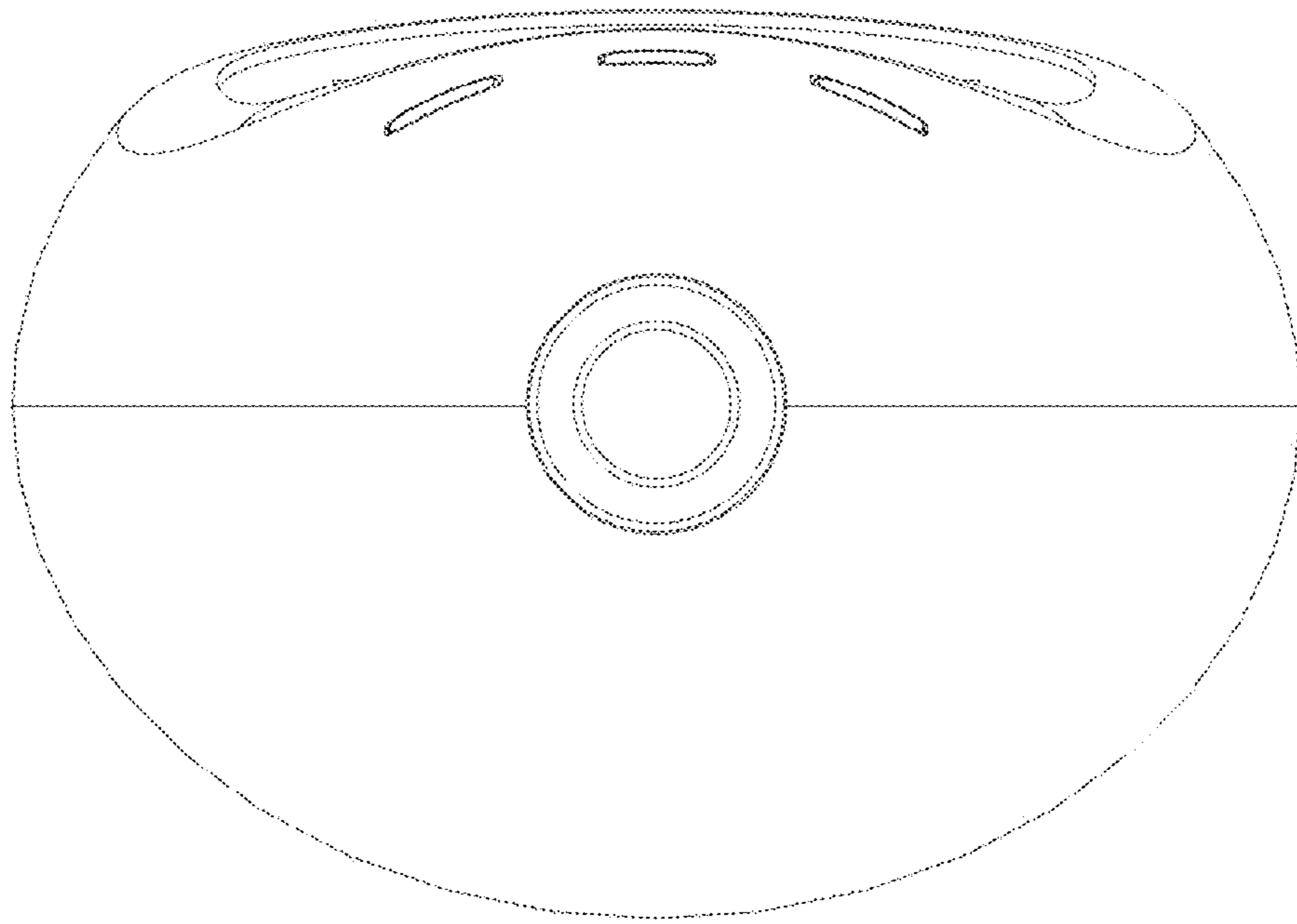


FIG. 7