



US00D954659S

(12) **United States Design Patent**
Lee

(10) **Patent No.:** **US D954,659 S**
(45) **Date of Patent:** **** Jun. 14, 2022**

(54) **CONTROLLER FOR TATTOOING APPARATUS**

(71) Applicant: **BOMTECH ELECTRONICS Co., Ltd.**, Seoul (KR)

(72) Inventor: **Jong-dae Lee**, Seoul (KR)

(73) Assignee: **BOMTECH ELECTRONICS CO., LTD.**, Seoul (KR)

(**) Term: **15 Years**

(21) Appl. No.: **29/732,855**

(22) Filed: **Apr. 28, 2020**

(30) **Foreign Application Priority Data**

Oct. 29, 2019 (KR) 30-2019-0051220

(51) **LOC (13) Cl.** **13-03**

(52) **U.S. Cl.**
USPC **D13/162; D13/110**

(58) **Field of Classification Search**
USPC D13/110, 162, 184, 199; D24/144, 146, D24/186, 232
CPC A61B 18/203; A61M 37/00; A61M 37/76; A45D 34/04

See application file for complete search history.

(56) **References Cited**

U.S. PATENT DOCUMENTS

D355,887 S *	2/1995	Rodeffer	D13/110
D380,973 S *	7/1997	Arney	D10/104.1
D427,315 S *	6/2000	Saltzstein	D24/186
6,530,919 B1 *	3/2003	Chodorow	A61B 18/18 606/13
6,585,725 B1 *	7/2003	Mukai	A61B 18/203 606/17
D569,981 S *	5/2008	Collins	D24/186
D571,736 S *	6/2008	Copeland	A61M 37/0076 D13/110

(Continued)

Primary Examiner — Selina Sikder

(74) *Attorney, Agent, or Firm* — Ulmer & Berne LLP

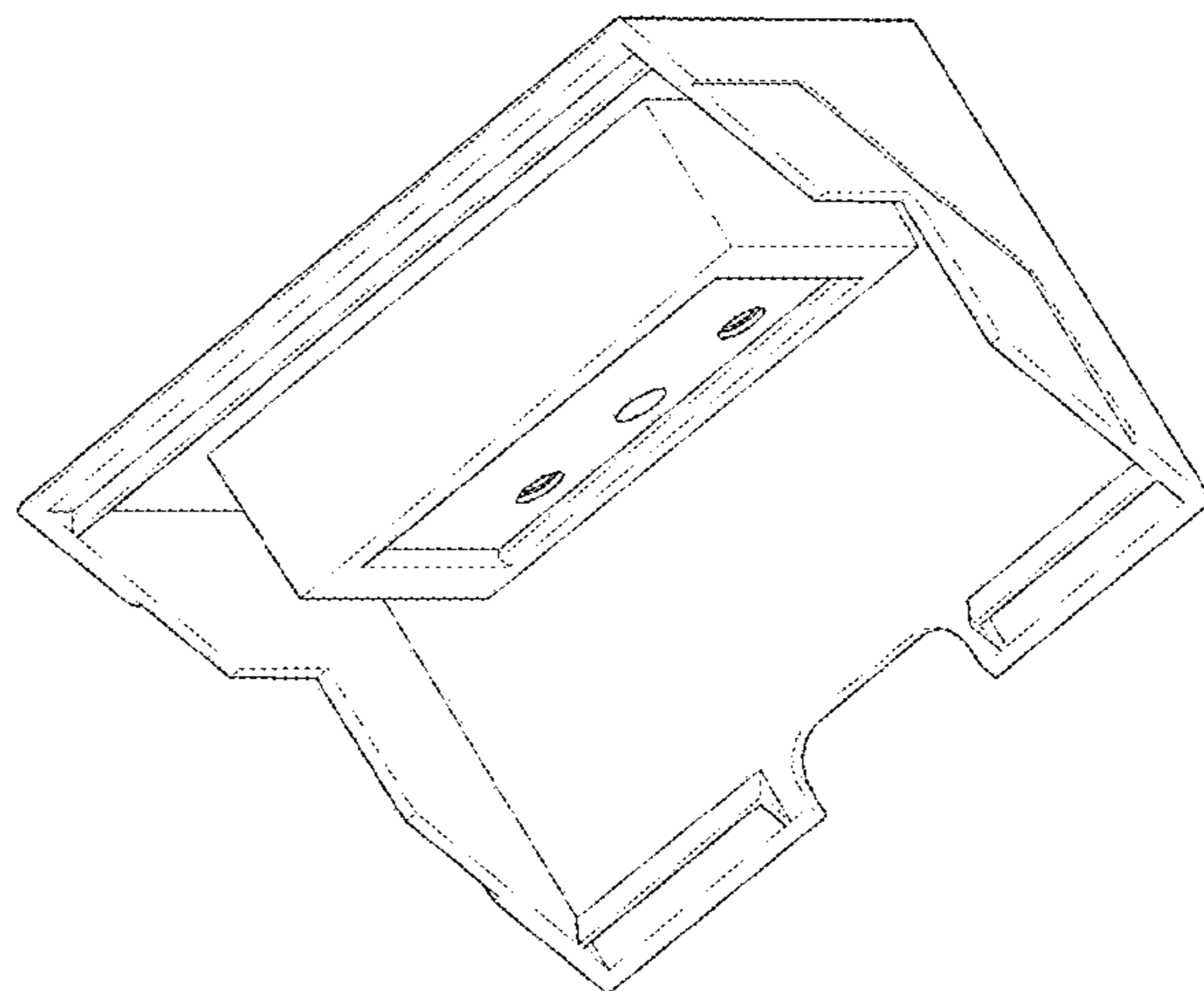
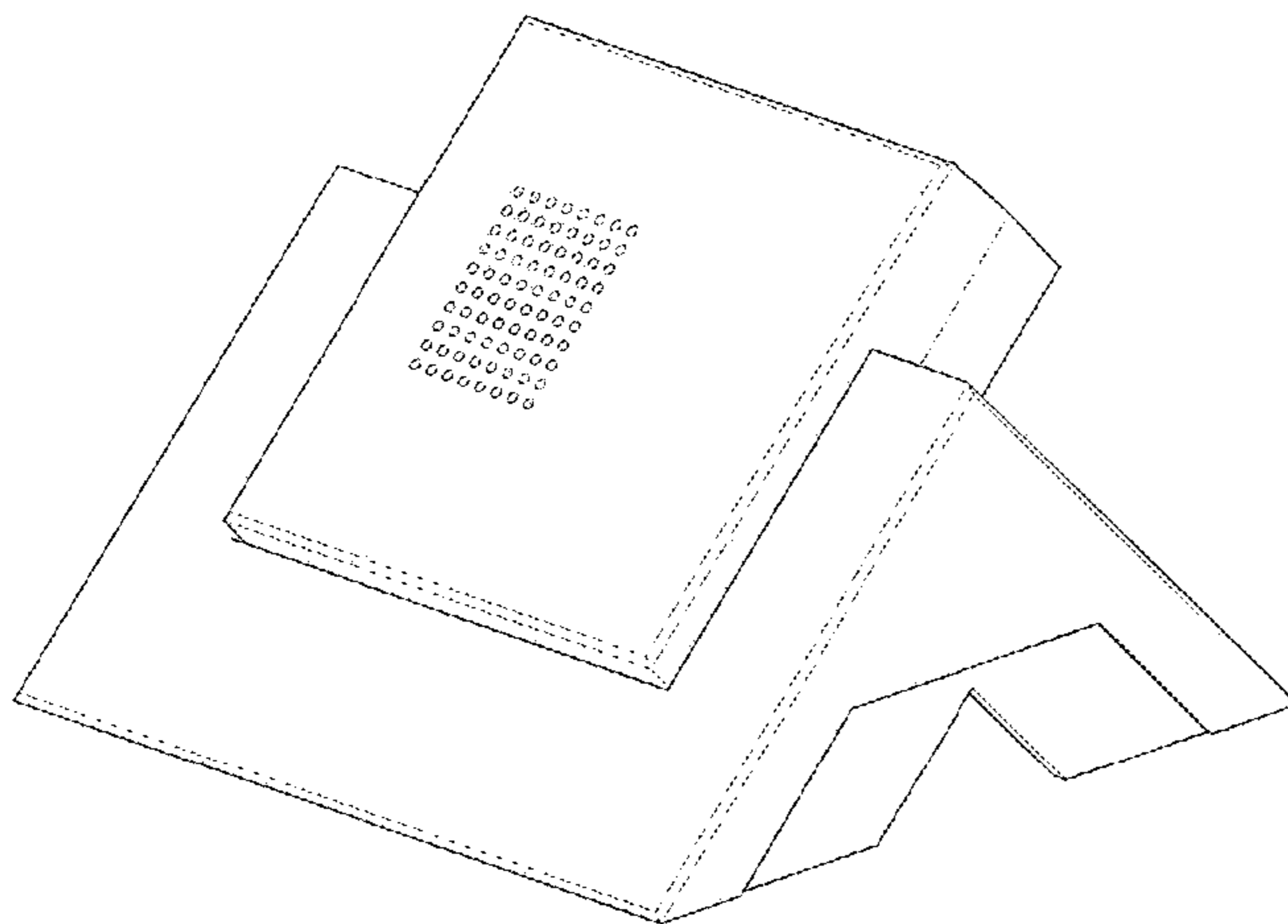
(57) **CLAIM**

The ornamental design for a controller for tattooing apparatus, as shown and described.

DESCRIPTION

FIG. 1 is a front top left perspective view of the controller for tattooing apparatus;
 FIG. 2 is a front bottom left perspective view of the controller for tattooing apparatus of FIG. 1;
 FIG. 3 is a rear bottom right perspective view of the controller for tattooing apparatus of FIG. 1;
 FIG. 4 is a front elevational view of the controller for tattooing apparatus of FIG. 1;
 FIG. 5 is a rear elevational view of the controller for tattooing apparatus of FIG. 1;
 FIG. 6 is a right side elevational view of the controller for tattooing apparatus of FIG. 1;
 FIG. 7 is a left side elevational view of the controller for tattooing apparatus of FIG. 1;
 FIG. 8 is a top plan view of the controller for tattooing apparatus of FIG. 1, wherein portions A and B are encircled and indicated;
 FIG. 9 is a bottom plan view of the controller for tattooing apparatus of FIG. 1, wherein portions C, D and E are encircled and indicated;
 FIG. 10 is an enlargement of the portion A illustrated in FIG. 8;
 FIG. 11 is an enlargement of the portion B illustrated in FIG. 8;
 FIG. 12 is an enlargement of the portion C illustrated in FIG. 9;
 FIG. 13 is an enlargement of the portion of D illustrated in FIG. 9; and,
 FIG. 14 is an enlargement of the portion of E illustrated in FIG. 9.

1 Claim, 14 Drawing Sheets



(56)

References Cited

U.S. PATENT DOCUMENTS

D637,163	S *	5/2011	Rubino, Jr.	D13/164
D681,605	S *	5/2013	Yagi	D14/204
D687,775	S *	8/2013	McGuire	D13/110
D739,031	S *	9/2015	Golden	D24/186
D759,253	S *	6/2016	Bar-Or	D24/186
D797,932	S *	9/2017	Lee	D24/144
D805,639	S *	12/2017	Lee	D24/144
D837,180	S *	1/2019	Silva	D10/104.1
D841,162	S *	2/2019	Lee	D24/144
10,220,196	B2 *	3/2019	Johansson	A61M 37/0076
D848,367	S *	5/2019	Chen	D13/110
2009/0125049	A1 *	5/2009	Copeland	A61M 37/0076
					606/186
2010/0241151	A1 *	9/2010	Rickard	A61M 37/0076
					606/186
2019/0151674	A1 *	5/2019	Yoon	A61N 1/06

* cited by examiner

FIG. 1

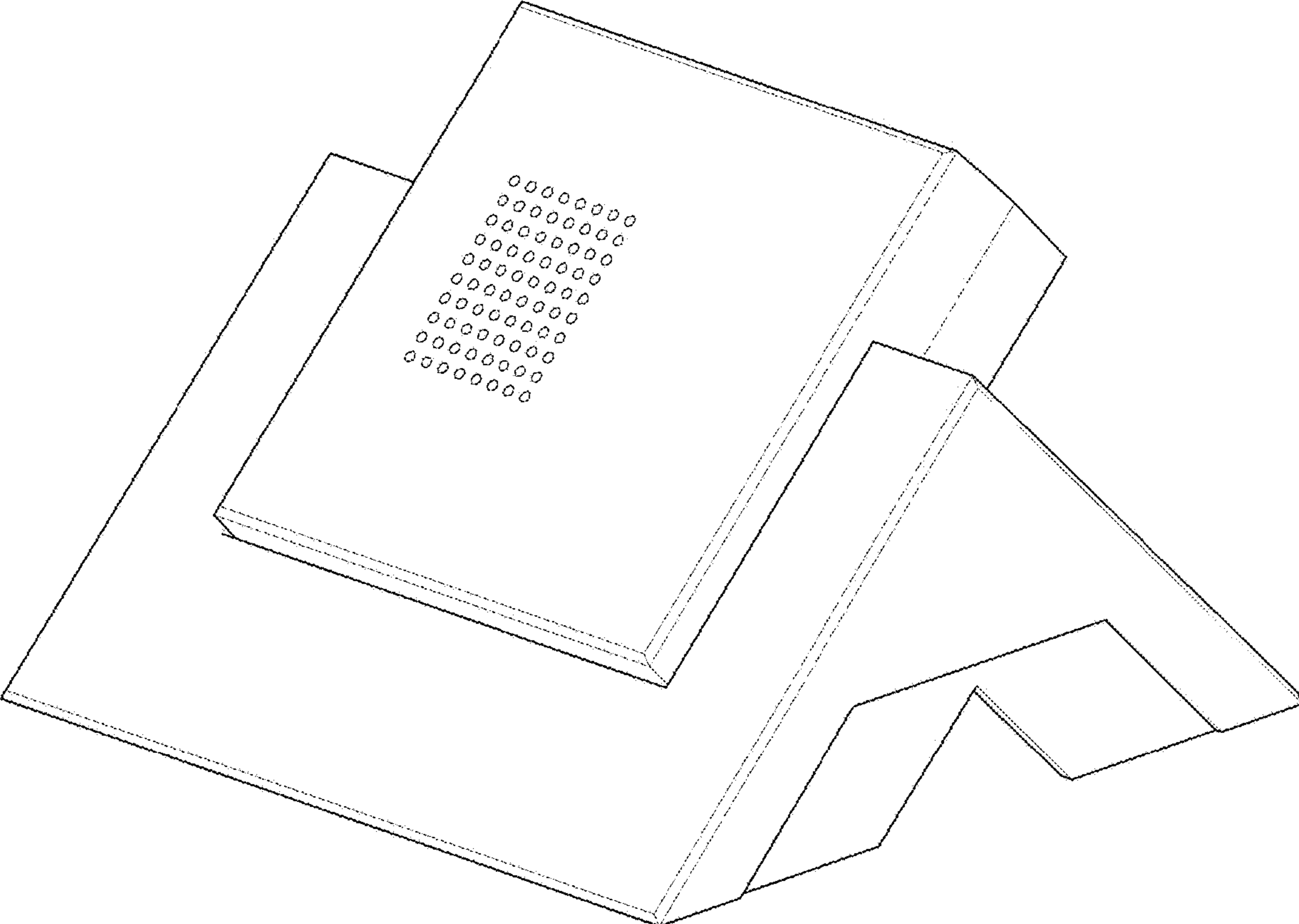


FIG. 2

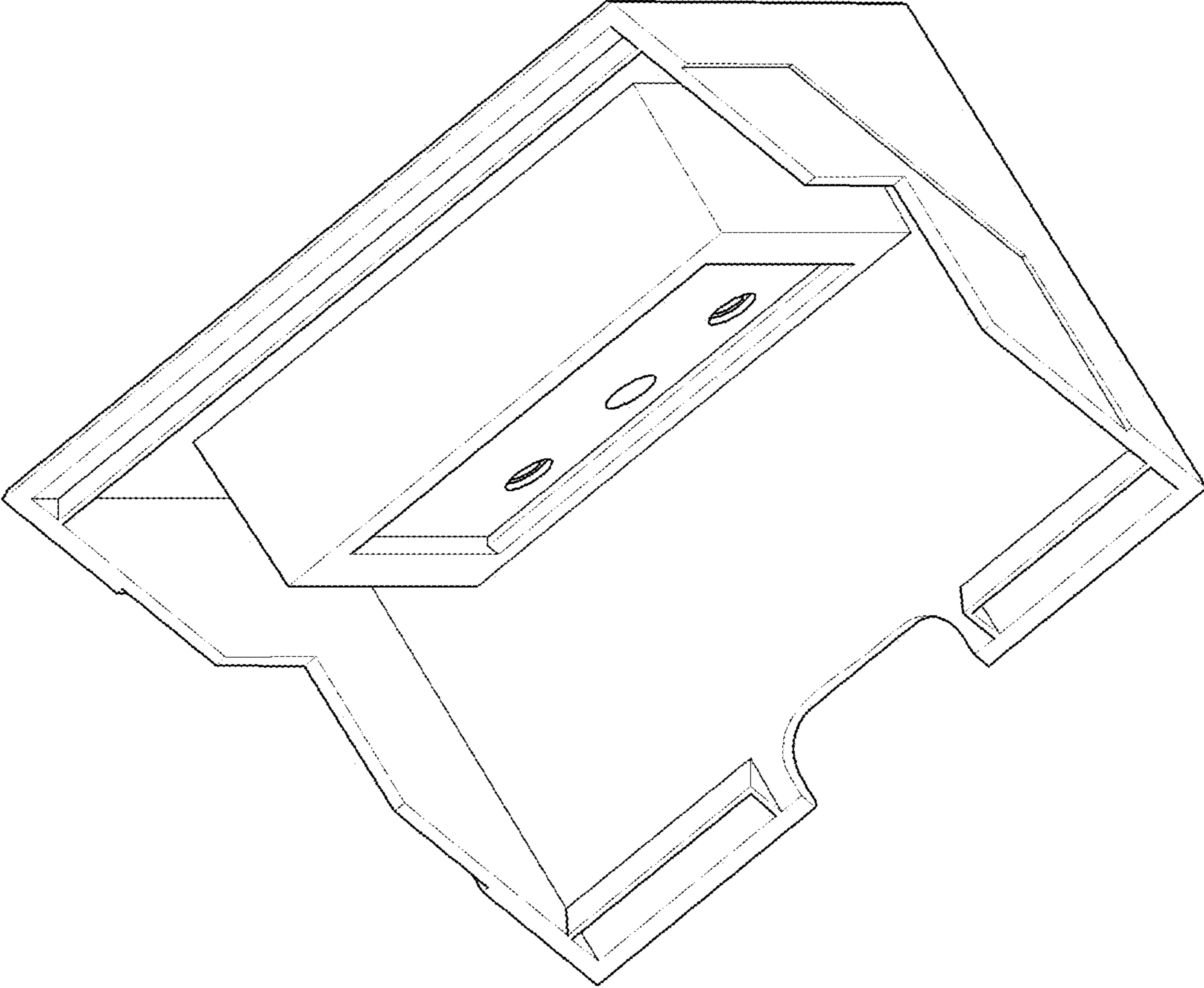


FIG. 3

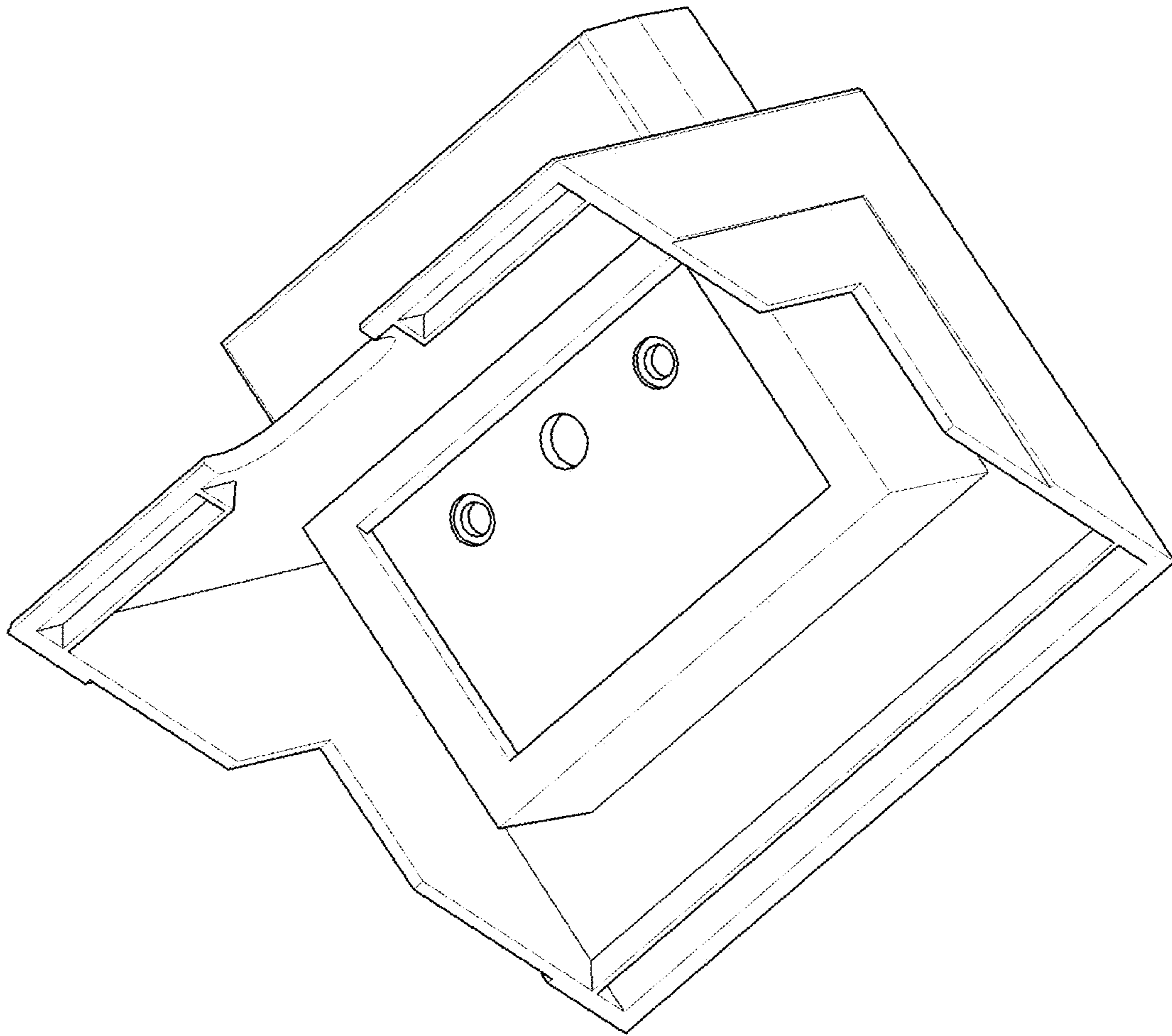


FIG. 4

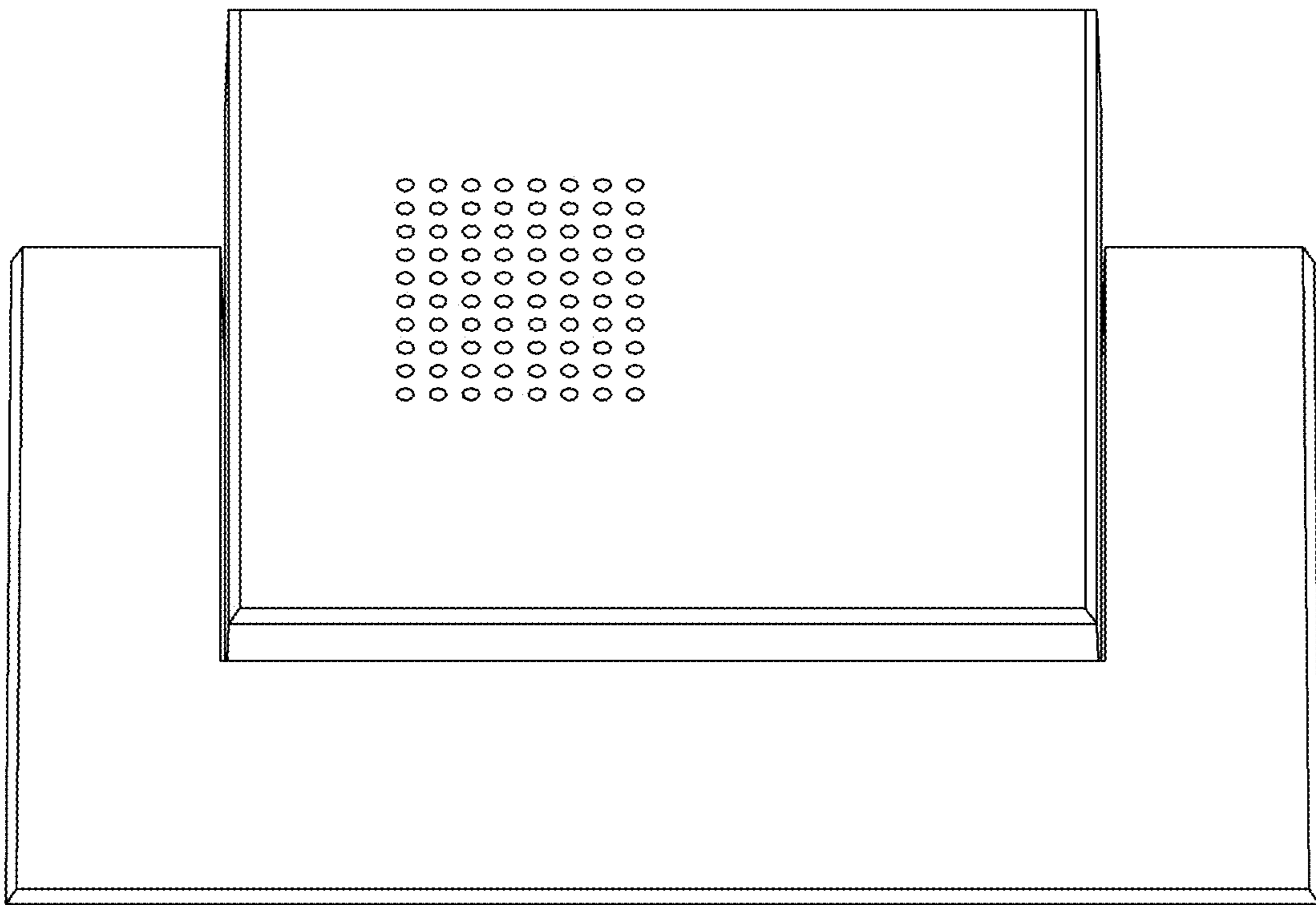


FIG. 5

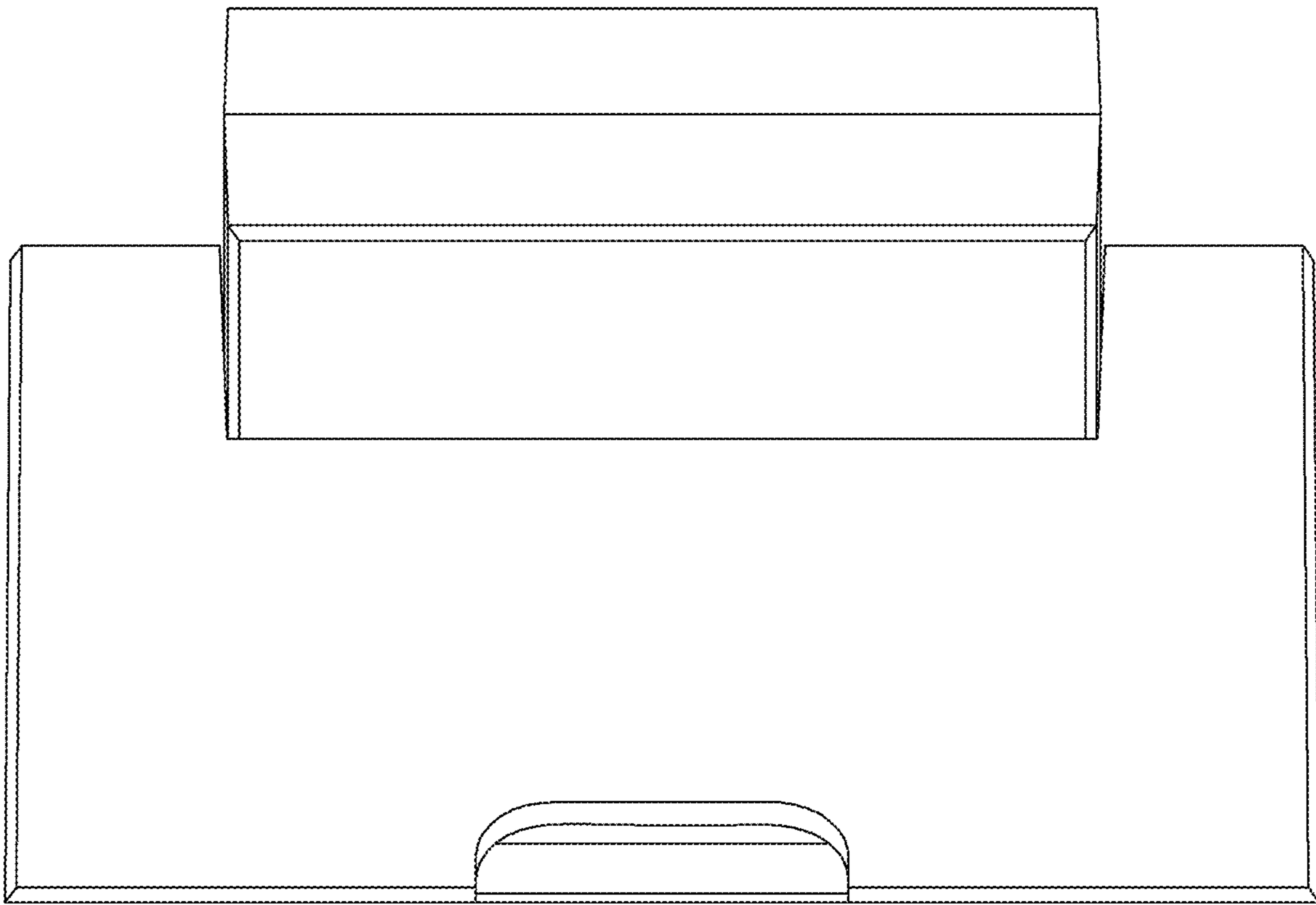


FIG. 6

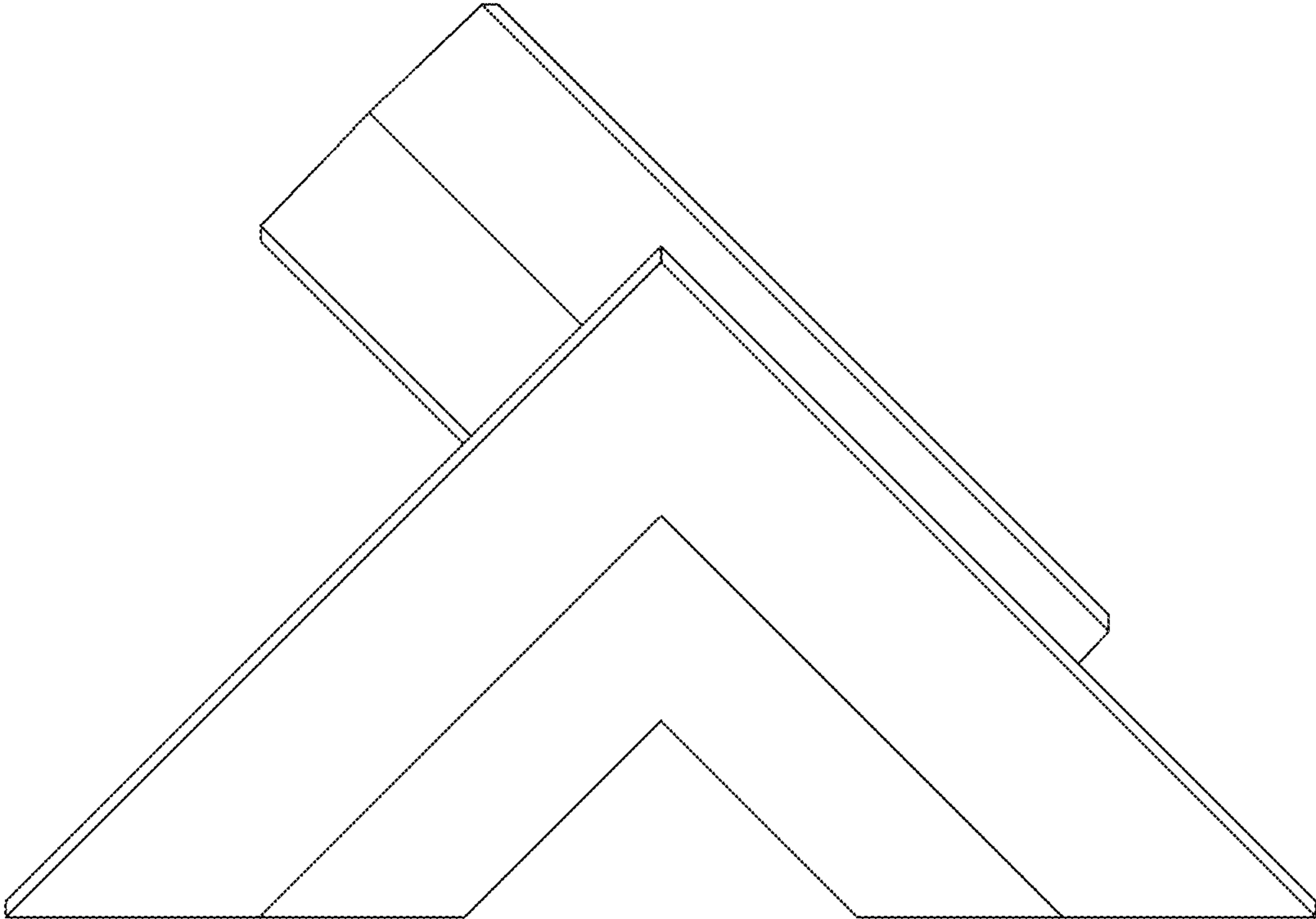


FIG. 7

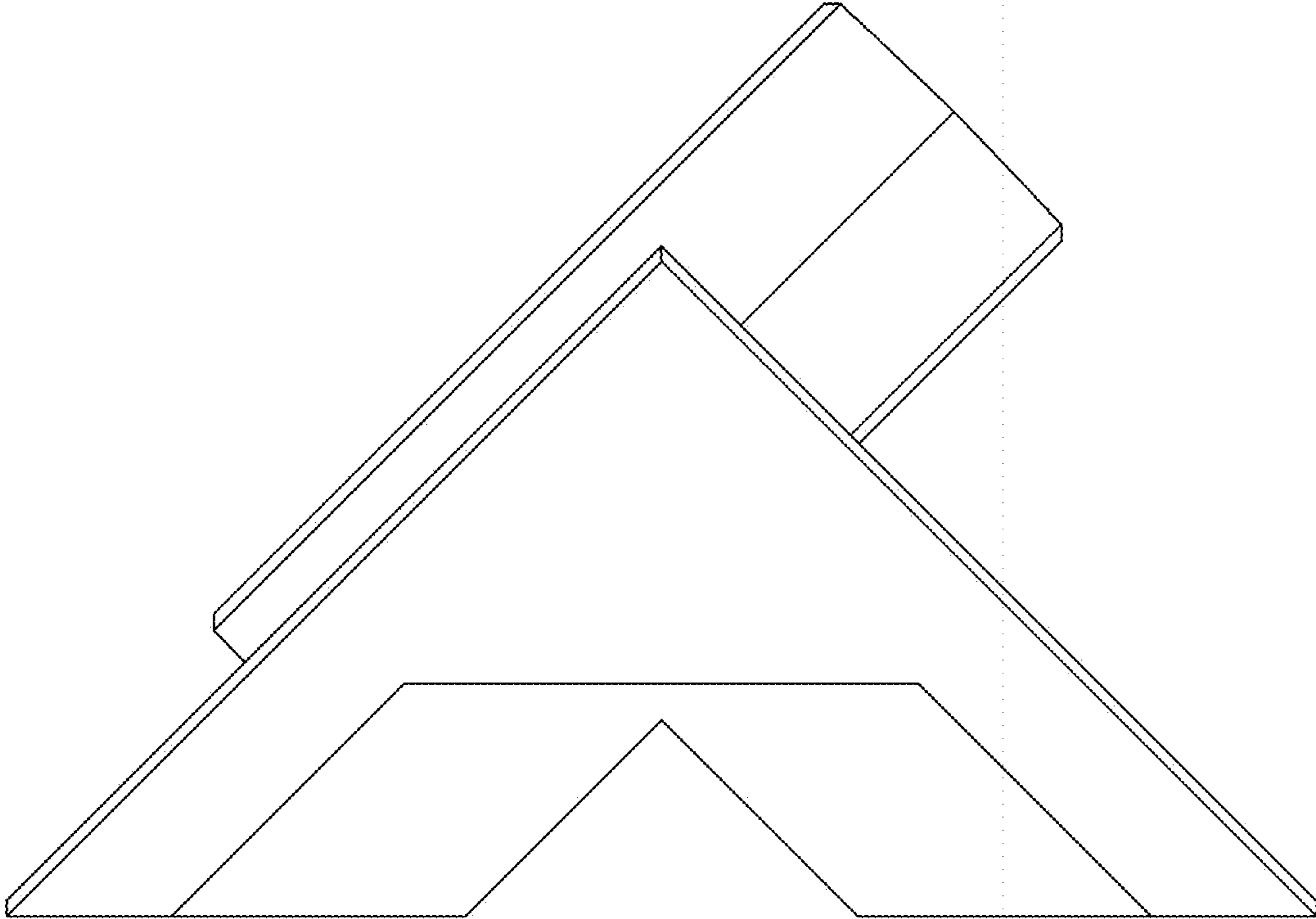


FIG. 8

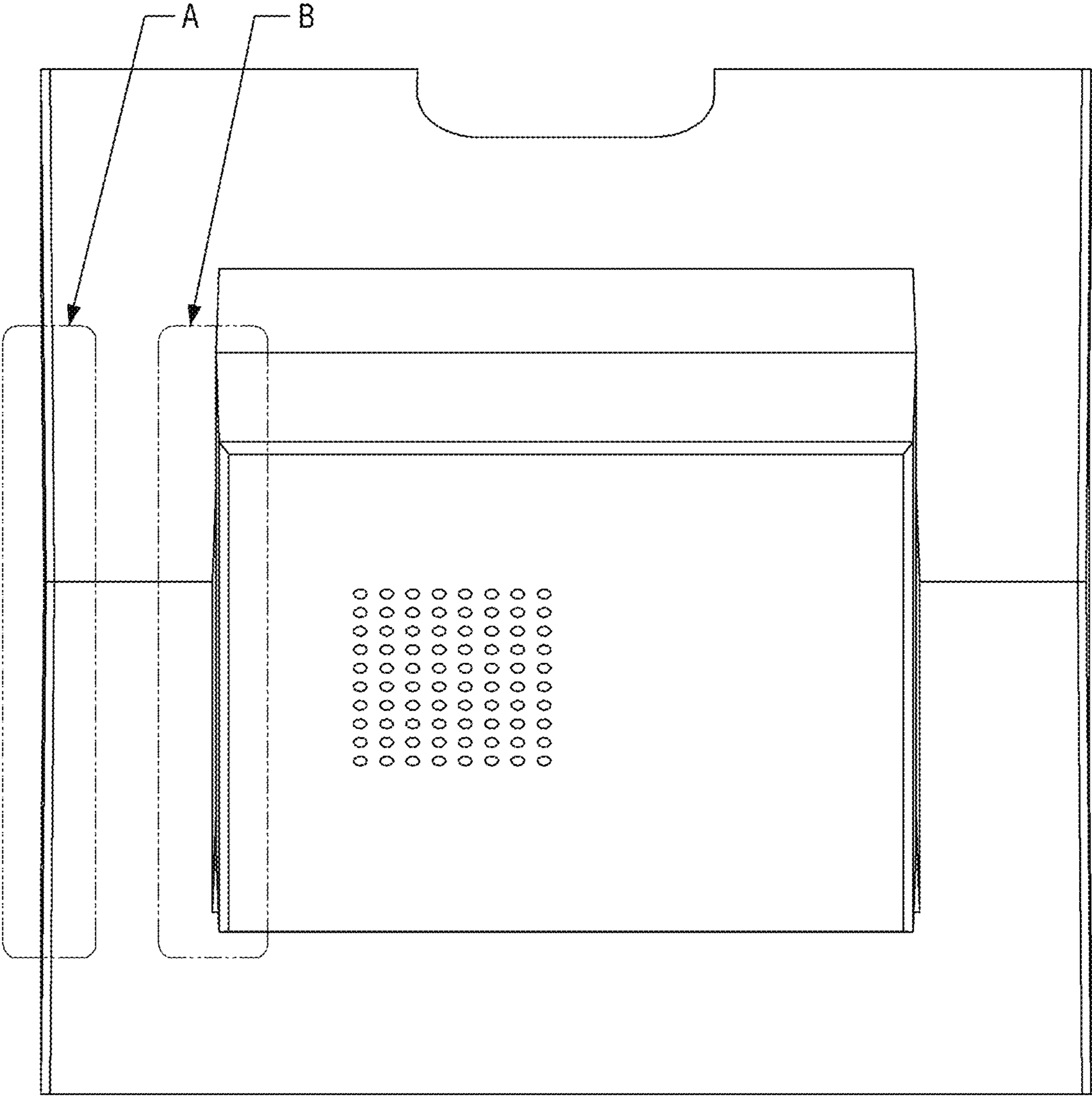


FIG. 9

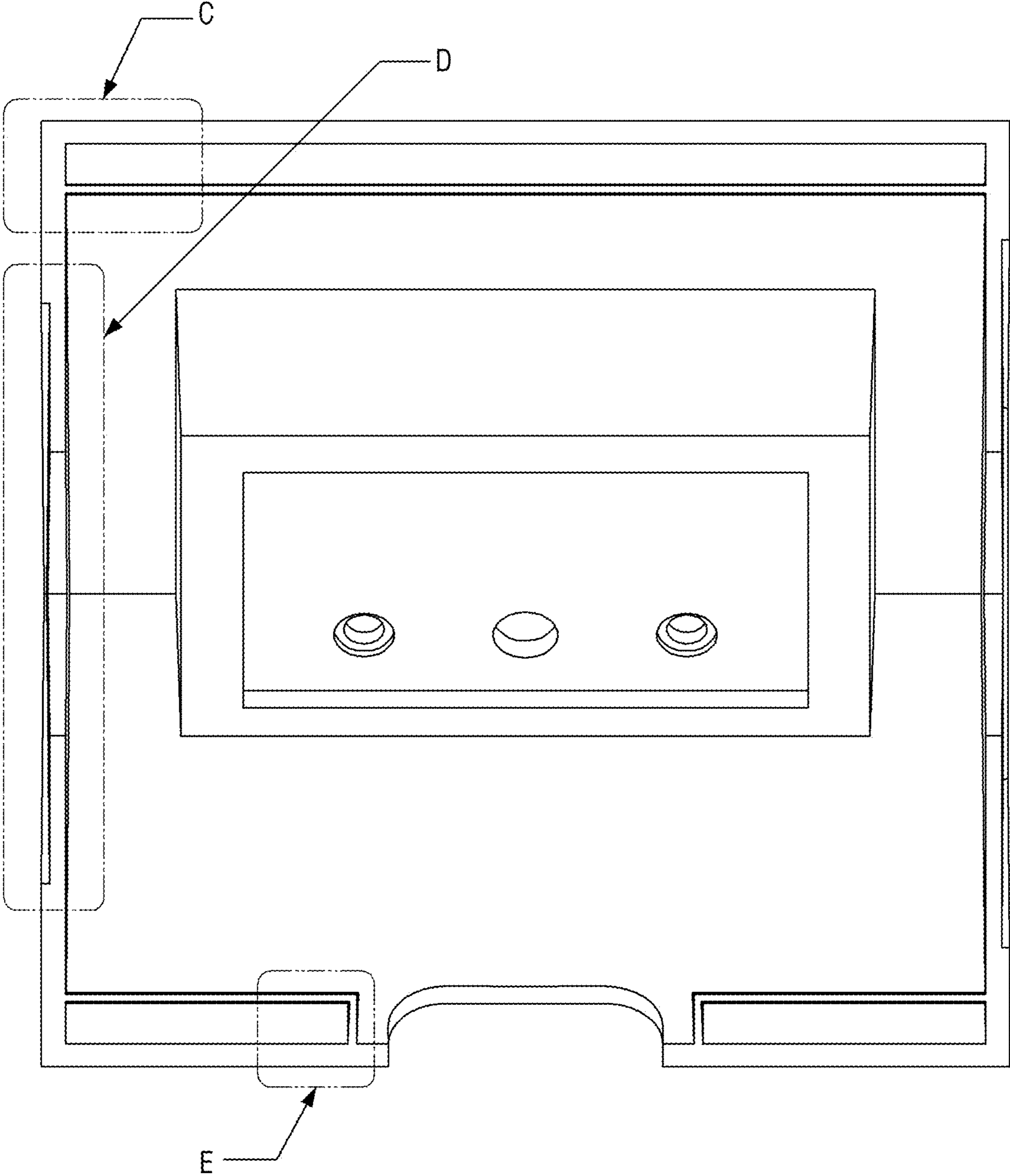


FIG. 10

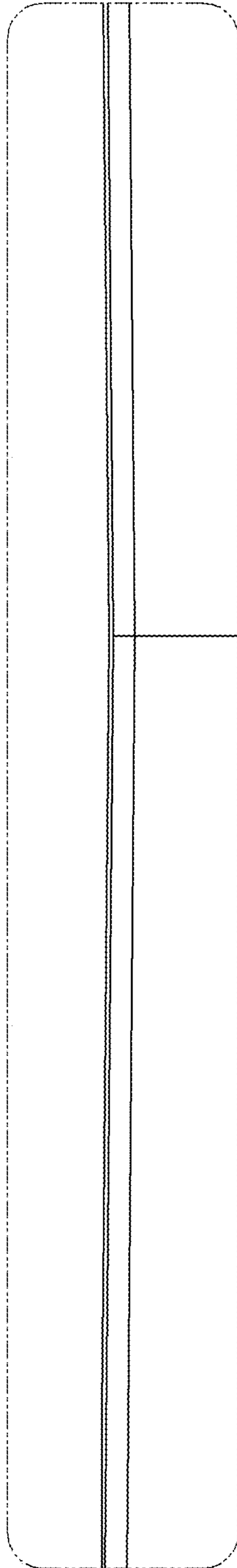


FIG. 11

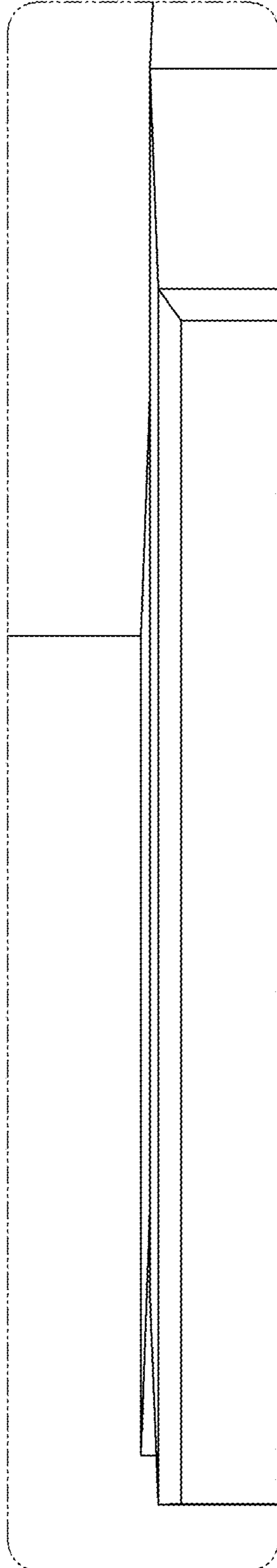


FIG. 12

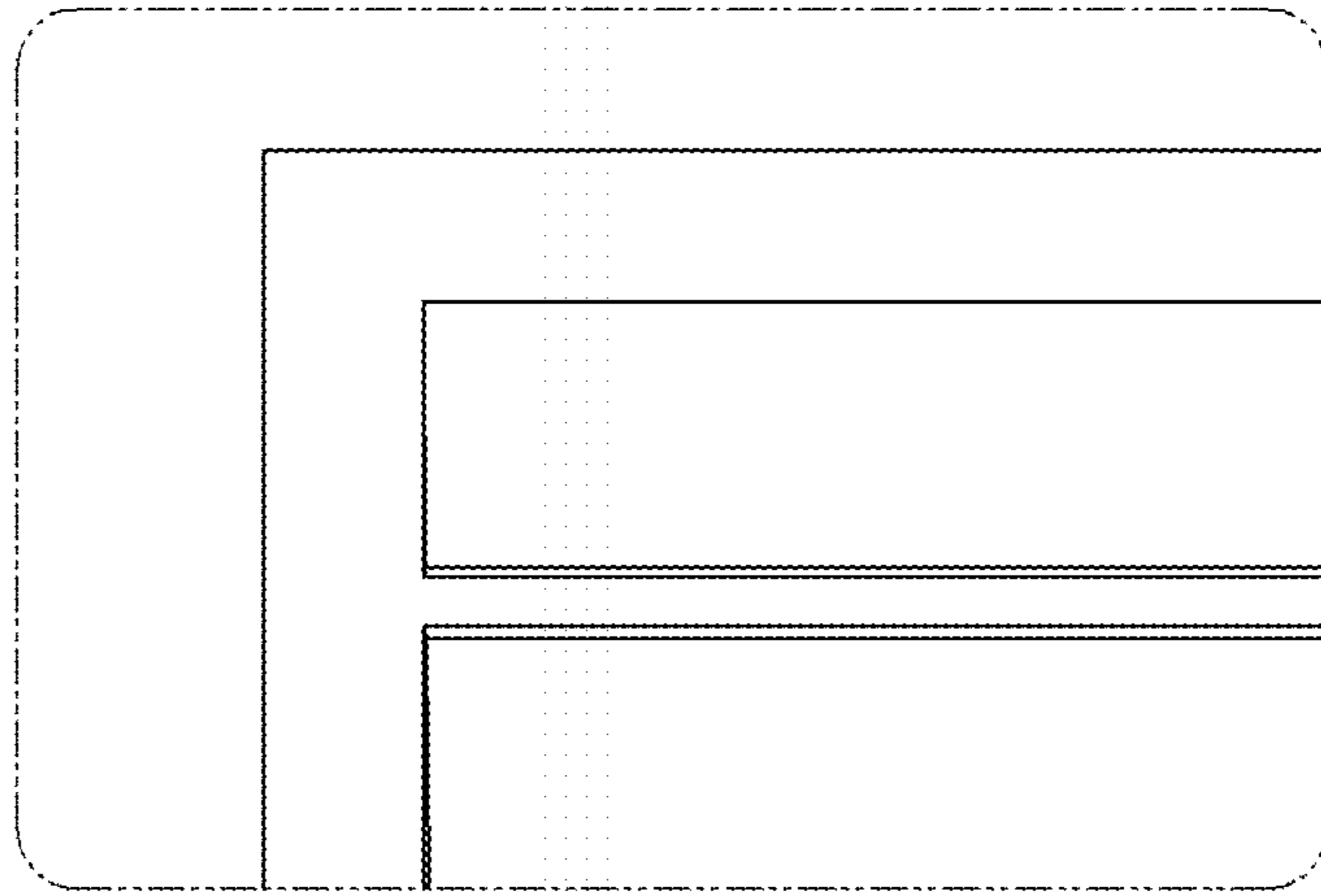


FIG. 13

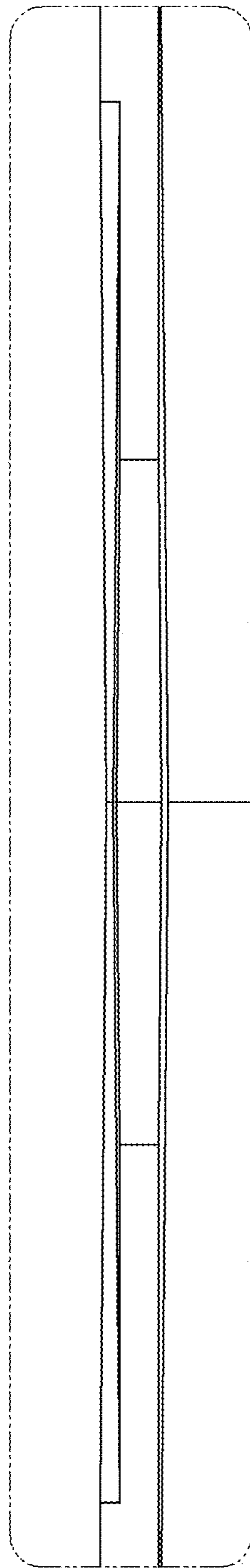


FIG. 14

