



US00D954658S

(12) **United States Design Patent**
Choi

(10) **Patent No.:** **US D954,658 S**
(45) **Date of Patent:** **** Jun. 14, 2022**

(54) **AIR CIRCUIT BREAKER**
(71) Applicant: **LS ELECTRIC CO., LTD.**, Anyang-si (KR)
(72) Inventor: **Minho Choi**, Anyang-si (KR)
(73) Assignee: **LS ELECTRIC CO., LTD.**, Anyang-si (KR)
(**) Term: **15 Years**

D845,909 S * 4/2019 Shin D13/160
D858,458 S * 9/2019 Tomczak D13/158
11,183,352 B2 * 11/2021 Yang H01H 71/123
2006/0118397 A1 * 6/2006 Dahl H02B 11/133
2008/0001688 A1 * 1/2008 Gottschalk H01H 71/02
2009/0014292 A1 * 1/2009 Lyu H02B 11/133
2010/0163374 A1 * 7/2010 Kim H02B 11/10
200/50.01
335/172
200/50.26
200/50.26

(Continued)

(21) Appl. No.: **29/741,739**

FOREIGN PATENT DOCUMENTS

(22) Filed: **Jul. 15, 2020**

EP 2015338 A2 * 1/2009 H02B 11/133
EP 2015413 A2 * 1/2009 H02B 11/127

(30) **Foreign Application Priority Data**

Primary Examiner — Shawn T Gingrich
(74) *Attorney, Agent, or Firm* — K&L Gates LLP

Apr. 27, 2020 (KR) 30-2020-0018625

(51) **LOC (13) Cl.** **13-03**

(57) **CLAIM**

(52) **U.S. Cl.**
USPC **D13/160**

The ornamental design for an air circuit breaker, as shown and described herein.

(58) **Field of Classification Search**
USPC D13/123, 133, 158–162, 173, 178, 184, D13/199

DESCRIPTION

CPC .. H01H 3/30; H01H 5/00; H01H 9/00; H01H 9/02; H01H 9/20; H01H 33/70; H01H 71/02; H01H 71/04; H02B 11/10; H02B 11/133
See application file for complete search history.

FIG. 1 is a perspective view of an air circuit breaker showing the new design;
FIG. 2 is a front elevation view thereof;
FIG. 3 is a rear elevation view thereof based on FIG. 2;
FIG. 4 is a left-side elevation view thereof based on FIG. 2;
FIG. 5 is a right-side elevation view thereof based on FIG. 2;
FIG. 6 is a top plan view thereof based on FIG. 2;
FIG. 7 is a bottom plan view thereof based on FIG. 2; and,
FIG. 8 is another perspective view showing a state of use thereof.

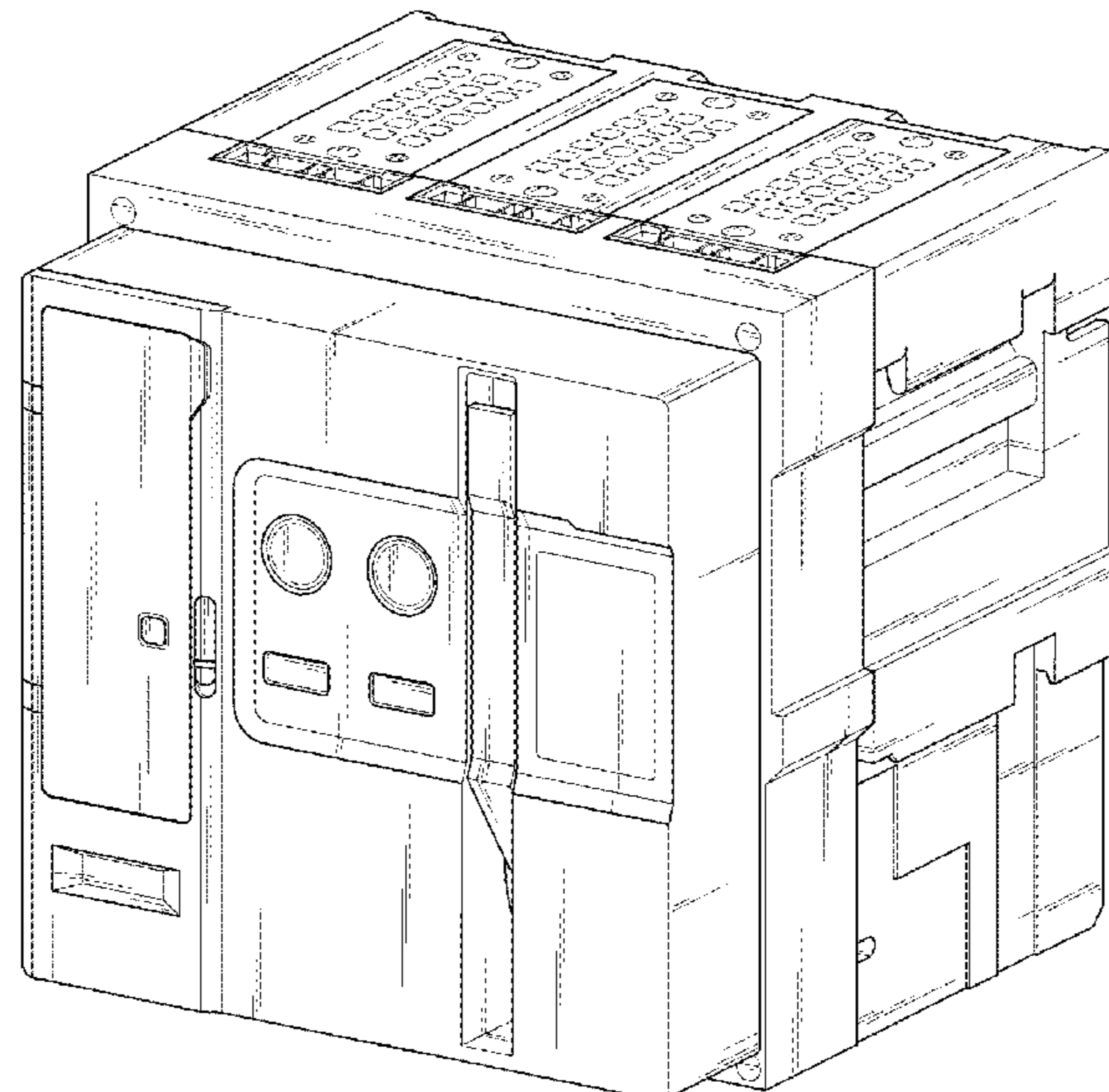
(56) **References Cited**

The broken line portion of the figure drawings is included to show portions of the article that form no part of the claimed design.

U.S. PATENT DOCUMENTS

D608,297 S * 1/2010 Shin D13/160
D608,298 S * 1/2010 Shin D13/160
D608,299 S * 1/2010 Shin D13/160
8,461,469 B2 * 6/2013 Engemann H01H 3/3021
200/400
D781,790 S * 3/2017 Leveque D13/160
D781,791 S * 3/2017 Leveque D13/160
D803,166 S * 11/2017 Azzola D13/160

1 Claim, 8 Drawing Sheets



(56)

References Cited

U.S. PATENT DOCUMENTS

2010/0163378 A1* 7/2010 Kim H02B 11/10
200/308
2018/0123329 A1* 5/2018 Seo H02B 11/10
2018/0294110 A1* 10/2018 Lee H01H 73/18
2021/0142971 A1* 5/2021 Yang H01H 71/04
2021/0327663 A1* 10/2021 Lantz H01H 33/42
2022/0044869 A1* 2/2022 Chung G01R 15/185

* cited by examiner

FIG. 1

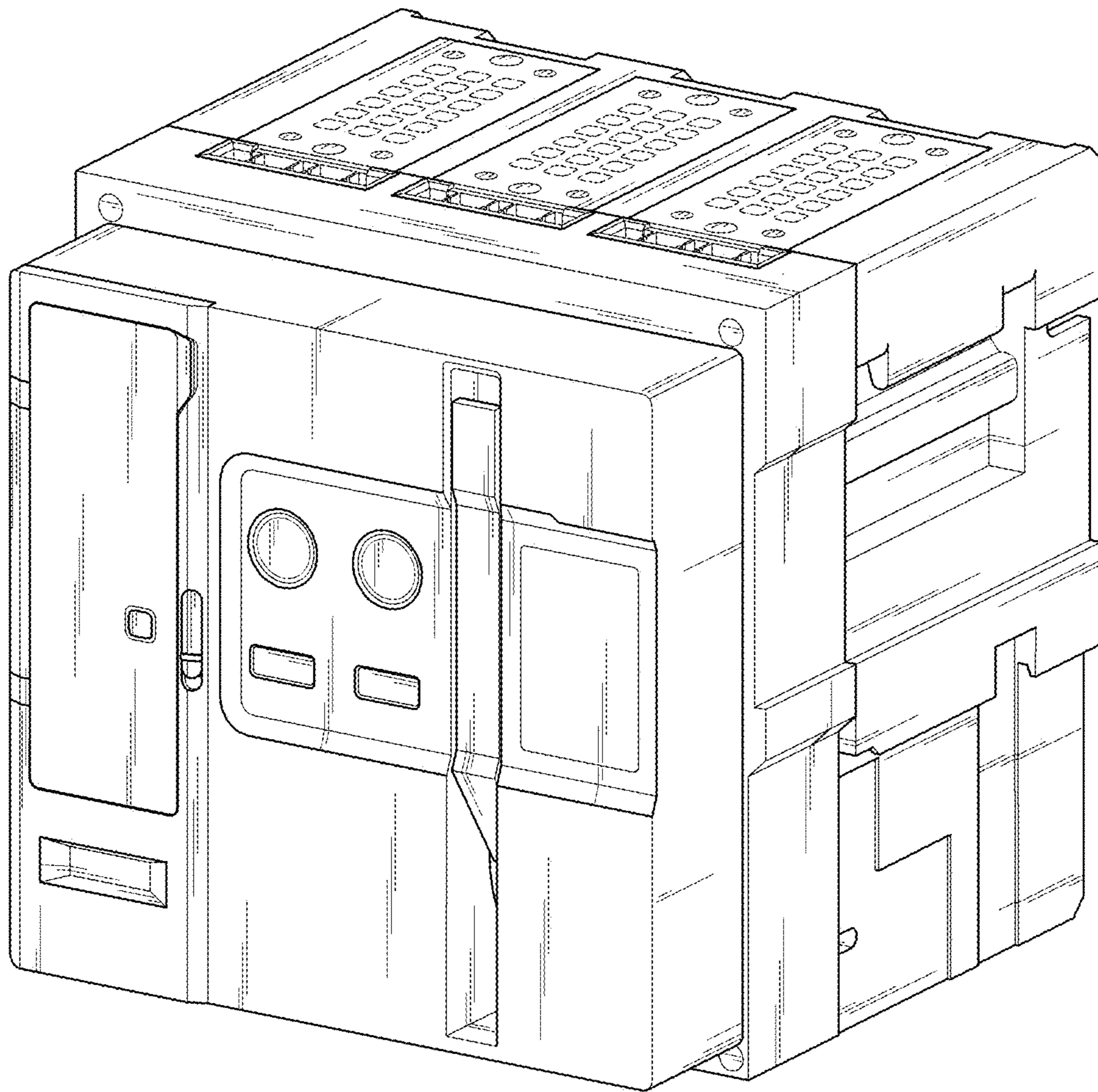


FIG. 2

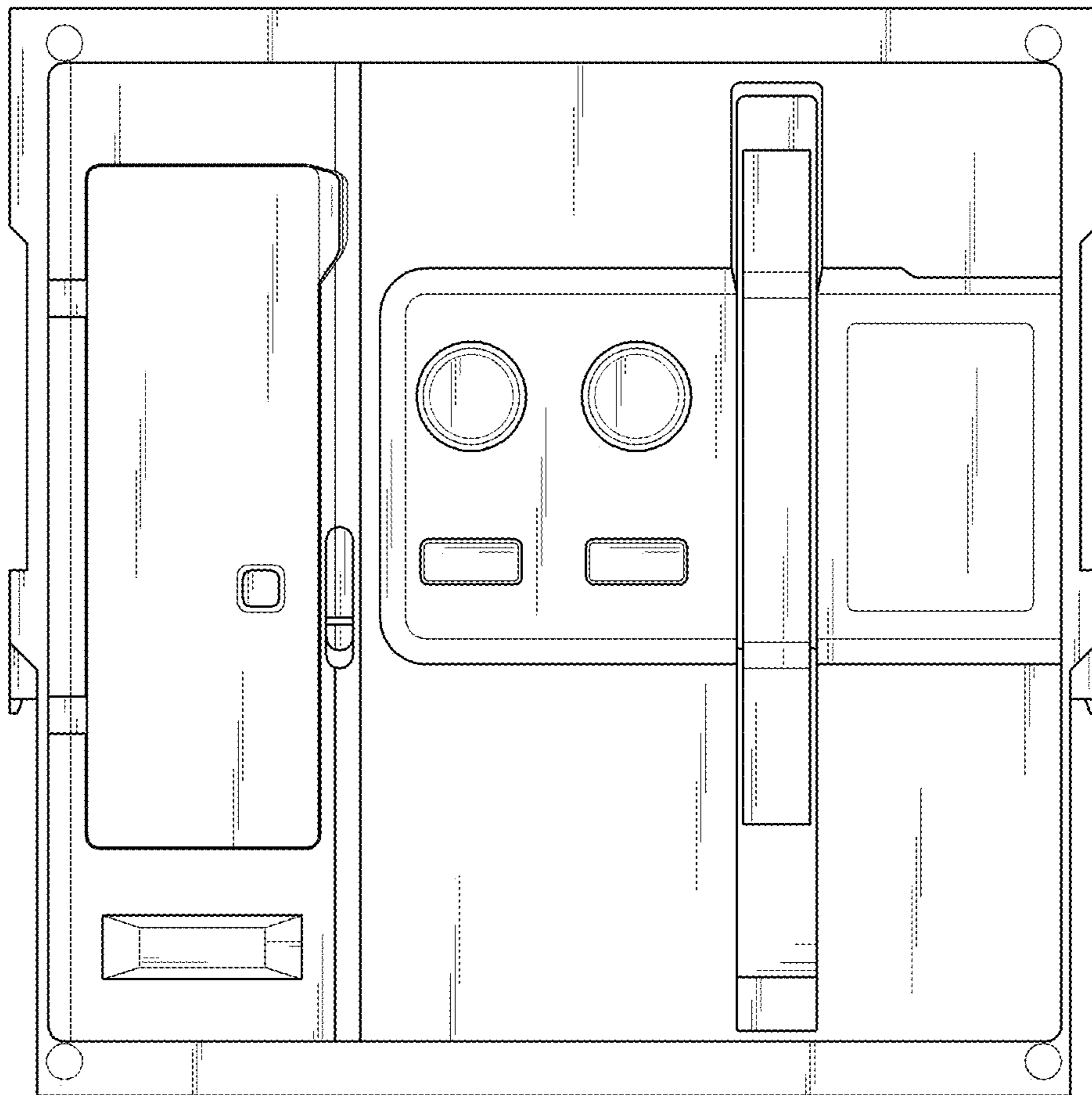


FIG. 3

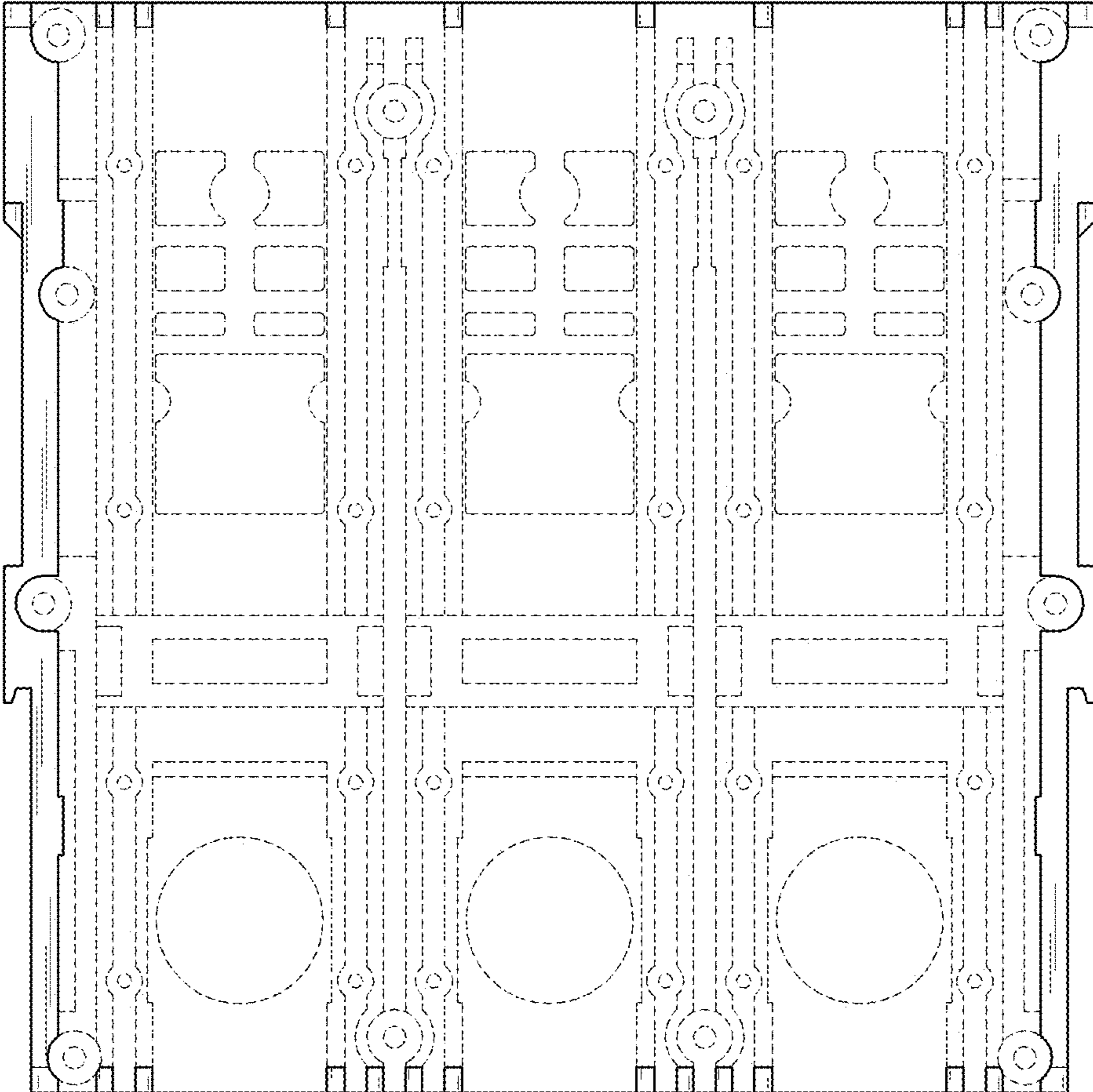


FIG. 4

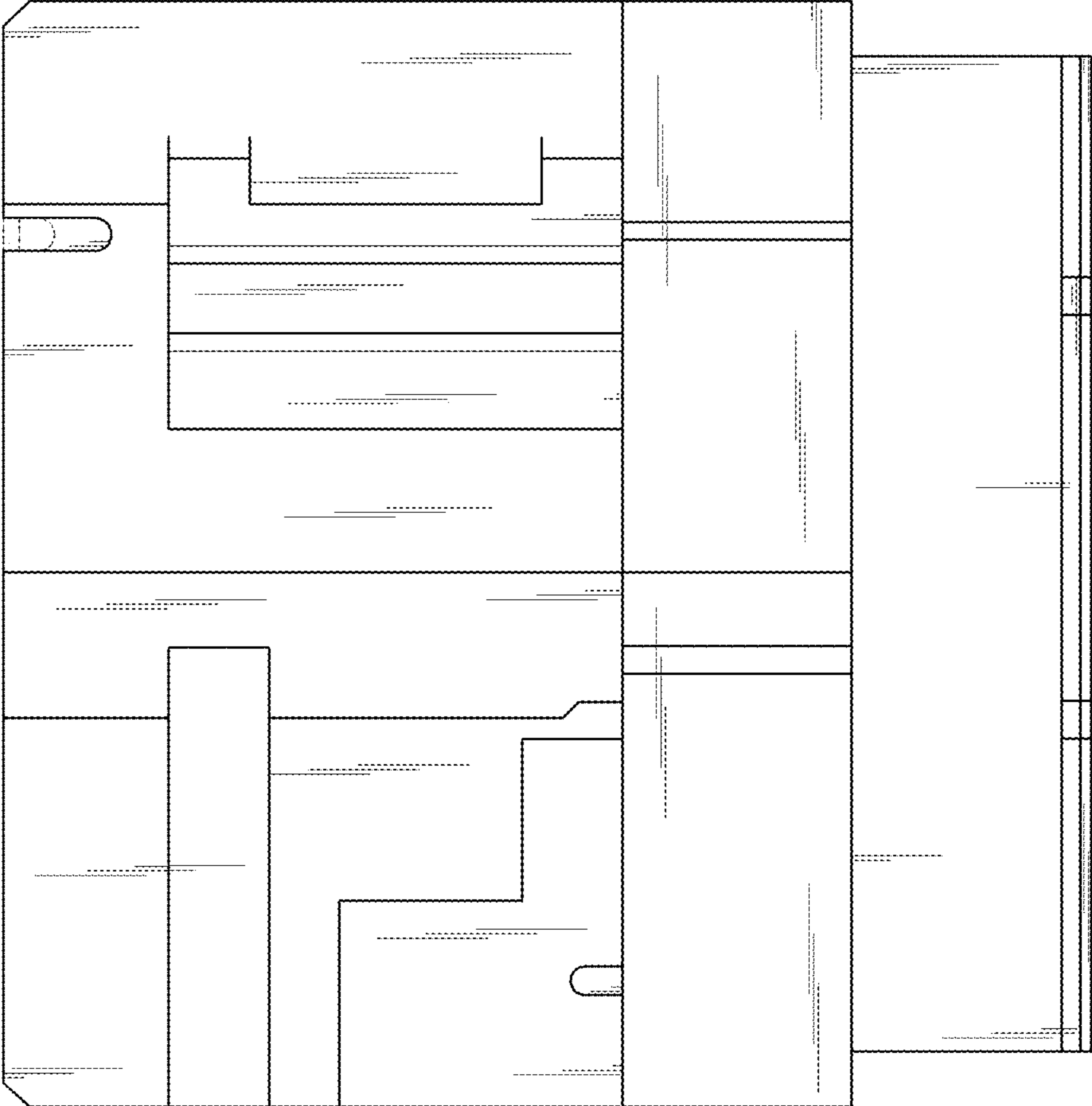


FIG. 5

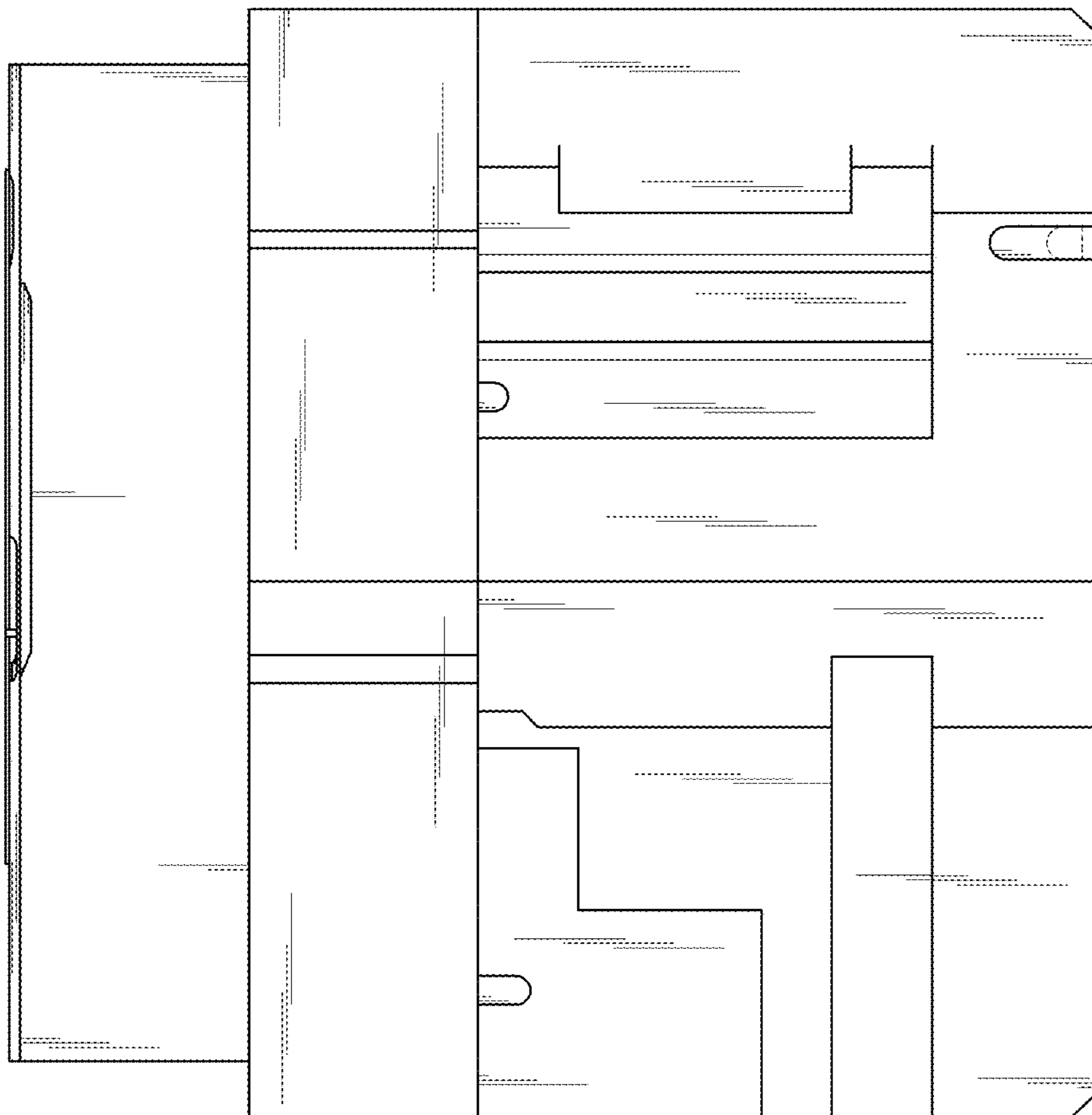


FIG. 6

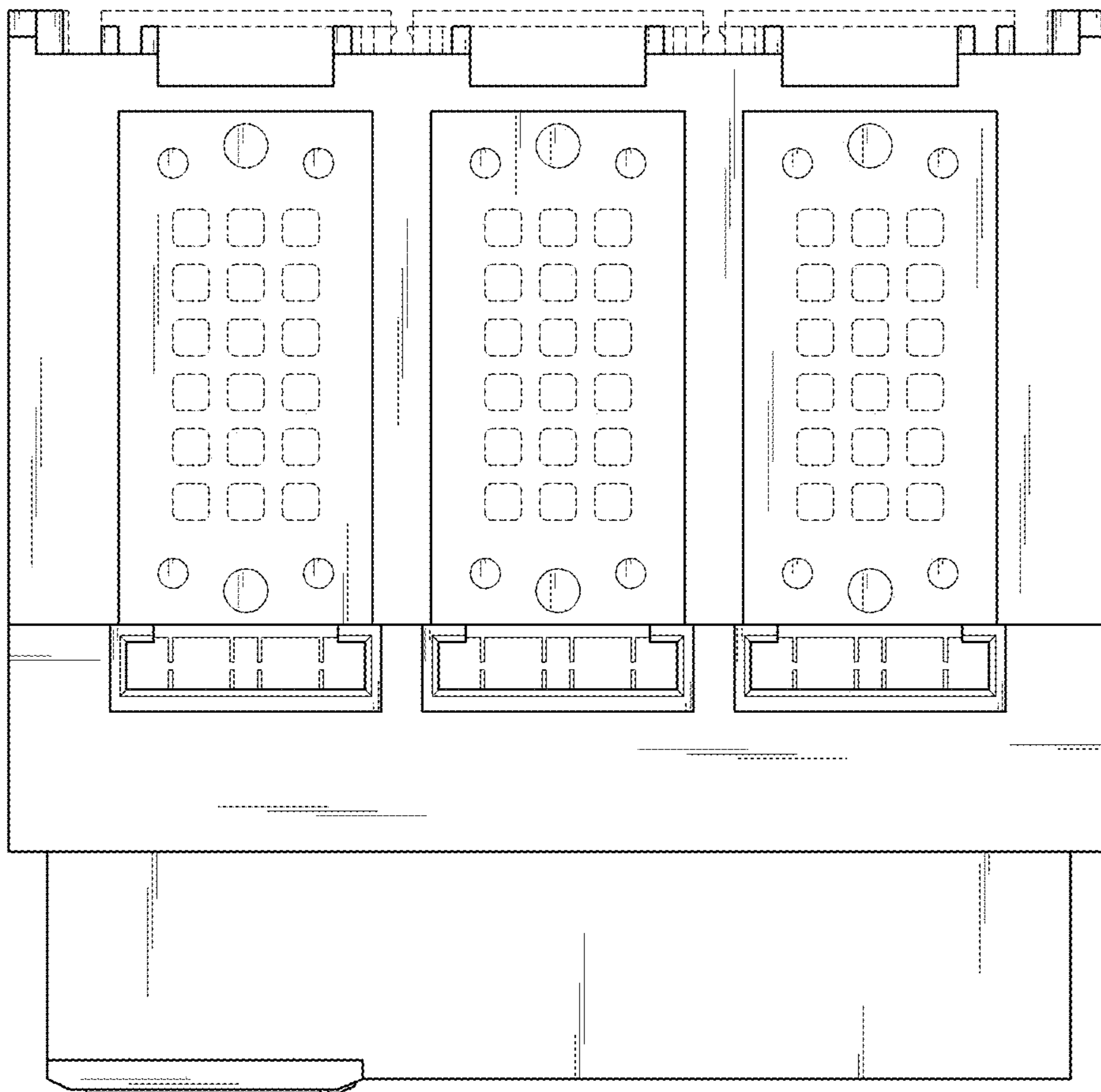


FIG. 7

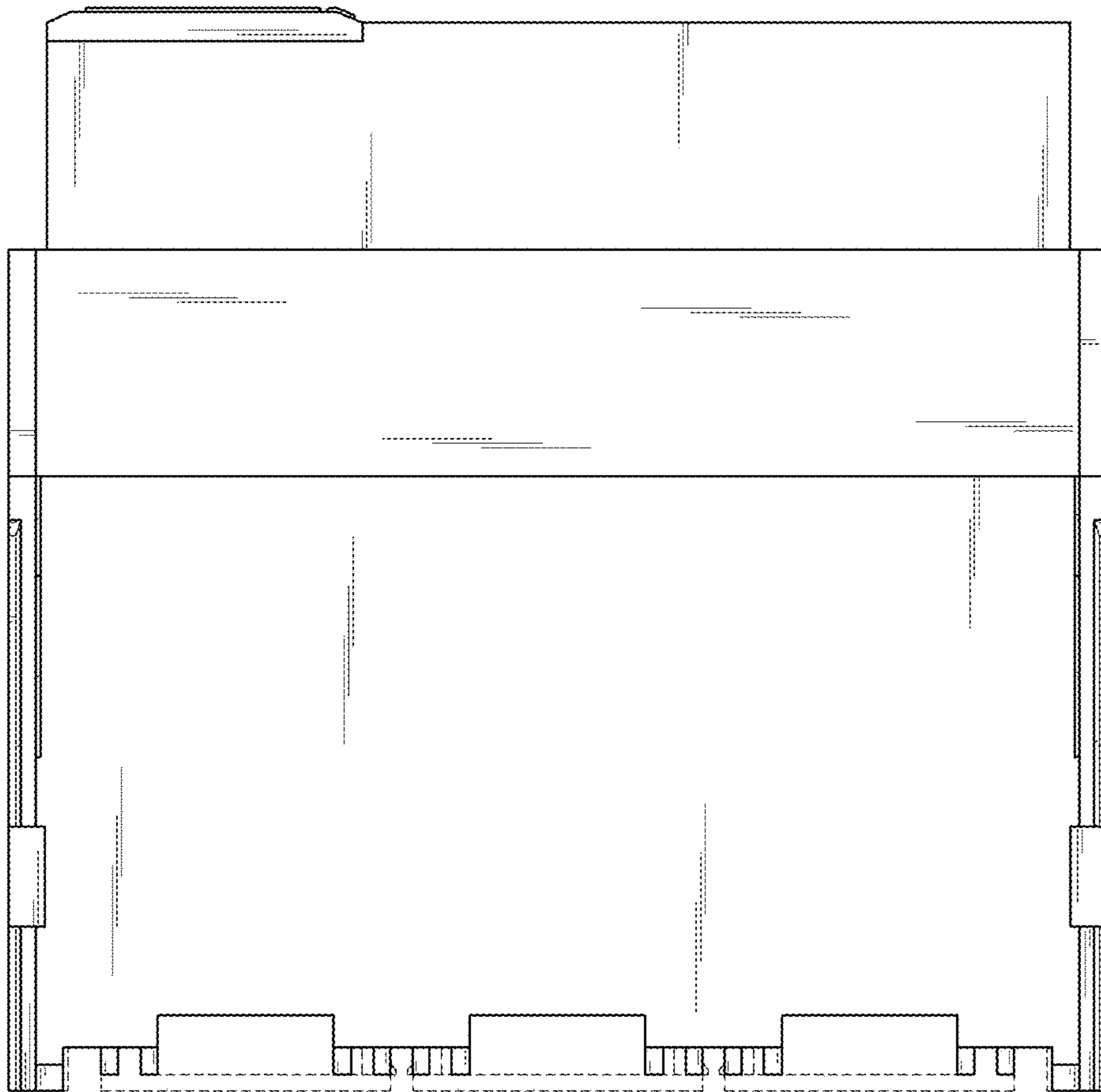


FIG. 8

