



US00D954657S

(12) **United States Design Patent**
Vasquez et al.

(10) **Patent No.:** **US D954,657 S**
(45) **Date of Patent:** **** Jun. 14, 2022**

(54) **SWITCH**

(71) Applicant: **ABL IP Holding LLC**, Atlanta, GA (US)

(72) Inventors: **Charlie Vasquez**, Atlanta, GA (US);
Ryan D. Meldahl, Newark, OH (US);
Paul W. Lewis, Grantville, GA (US)

(73) Assignee: **ABL IP Holding LLC**, Atlanta, GA (US)

(**) Term: **15 Years**

(21) Appl. No.: **29/727,517**

(22) Filed: **Mar. 11, 2020**

(51) **LOC (13) Cl.** **13-03**

(52) **U.S. Cl.**
USPC **D13/158**

(58) **Field of Classification Search**
USPC D13/123, 158-160, 162-164, 167-169,
D13/171, 173, 174, 177, 178, 184, 199
CPC H01H 9/00; H01H 9/16; H01H 13/06;
H01H 85/20; H05K 1/02; H05K 9/00
See application file for complete search history.

(56) **References Cited**

U.S. PATENT DOCUMENTS

- 3,184,574 A * 5/1965 Dennison H01H 13/06
200/302.2
- D305,019 S * 12/1989 Pena D13/171
- D305,531 S * 1/1990 Suzuki D13/126
- D310,202 S * 8/1990 Suck D13/164
- D322,953 S * 1/1992 Brown, Jr. D13/123

- D339,324 S * 9/1993 Ahn D13/110
- D469,059 S * 1/2003 Ando D13/110
- D476,622 S * 7/2003 Ando D13/118
- D616,397 S * 5/2010 Tai D13/184
- D764,420 S * 8/2016 Naka D13/171
- D773,394 S * 12/2016 Marinelli D13/110
- 2004/0110421 A1 * 6/2004 Broman H01G 4/40
439/607.41
- 2016/0044836 A1 * 2/2016 Miller H05K 7/1471
361/740

* cited by examiner

Primary Examiner — Shawn T Gingrich

(74) *Attorney, Agent, or Firm* — Kilpatrick Townsend & Stockton LLP

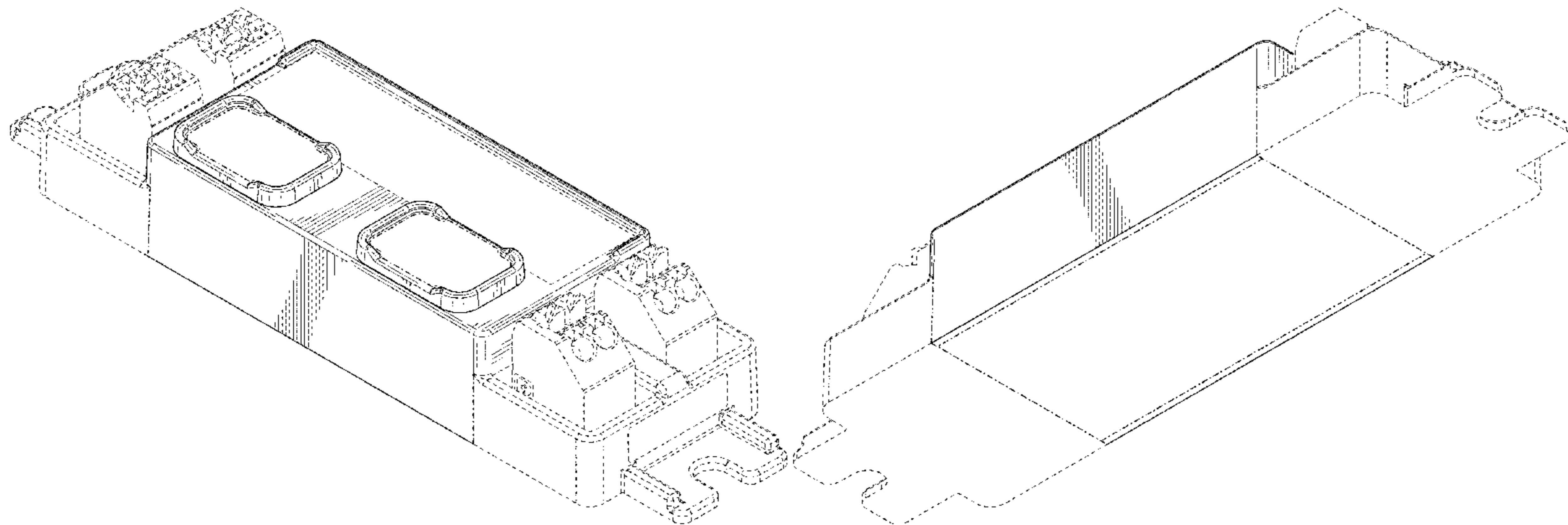
(57) **CLAIM**

The ornamental design for a switch, as shown and described.

DESCRIPTION

FIG. 1 is a top isometric view of an embodiment of the switch.
 FIG. 2 is a bottom isometric view of the switch of FIG. 1.
 FIG. 3 is a rear side elevation view of the switch of FIG. 1.
 FIG. 4 is a right side elevation view of the switch of FIG. 1.
 FIG. 5 is a front side elevation view of the switch of FIG. 1.
 FIG. 6 is a left side elevation view of the switch of FIG. 1.
 FIG. 7 is a top plan view of the switch of FIG. 1; and,
 FIG. 8 is a bottom plan view of the switch of FIG. 1.
 The evenly dotted broken lines in the figures illustrate unclaimed features of the switch and form no part of the claimed design. The dash-dot-dash broken lines in the figures are boundary lines of unclaimed portions of the switch that form no part of the claimed design.

1 Claim, 6 Drawing Sheets



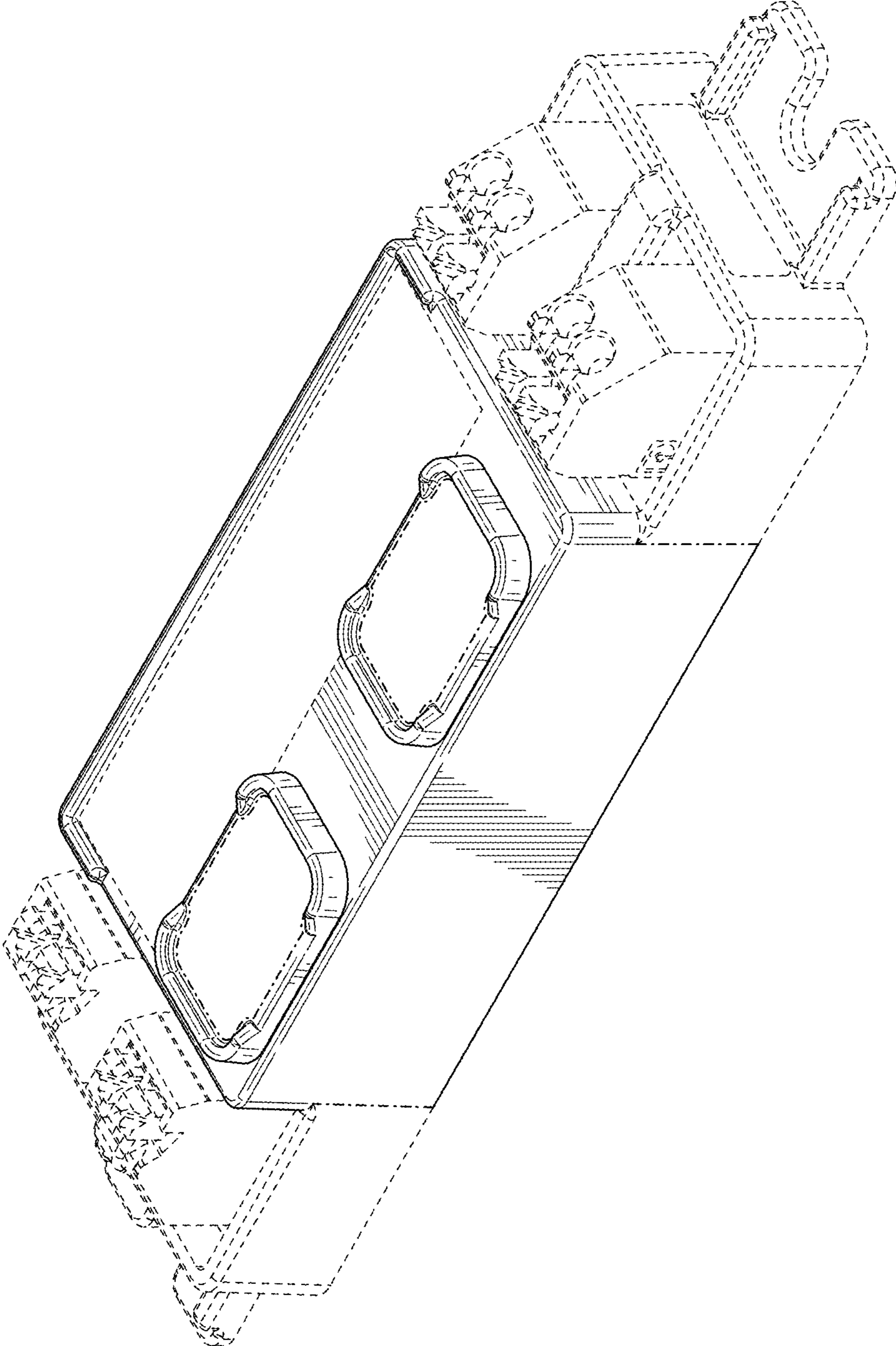


FIG. 1

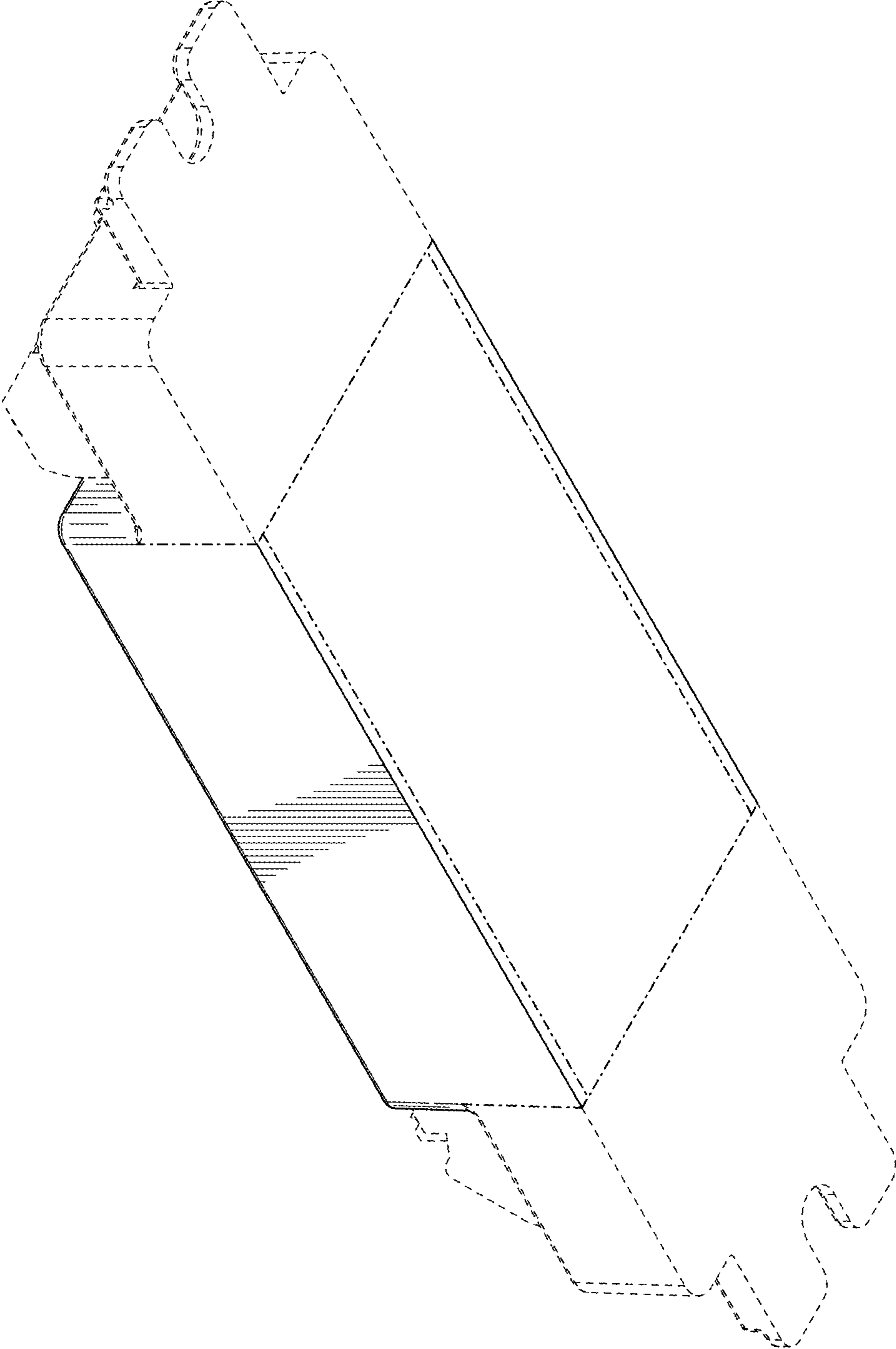


FIG. 2

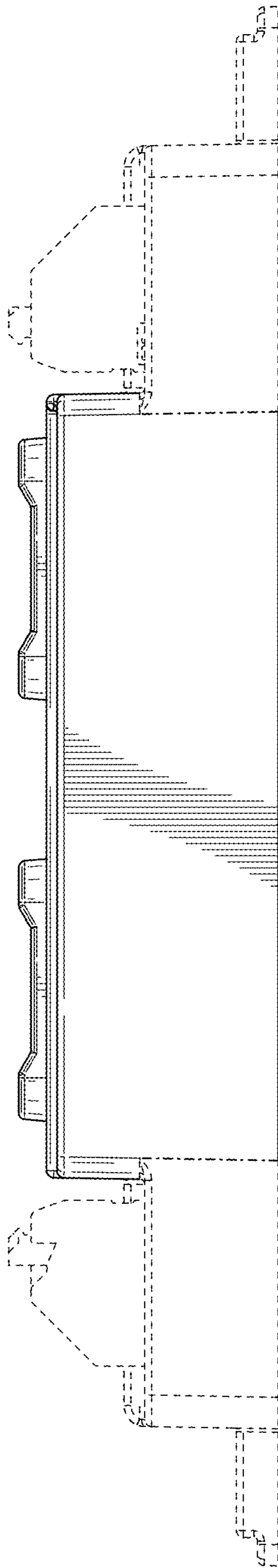


FIG. 3

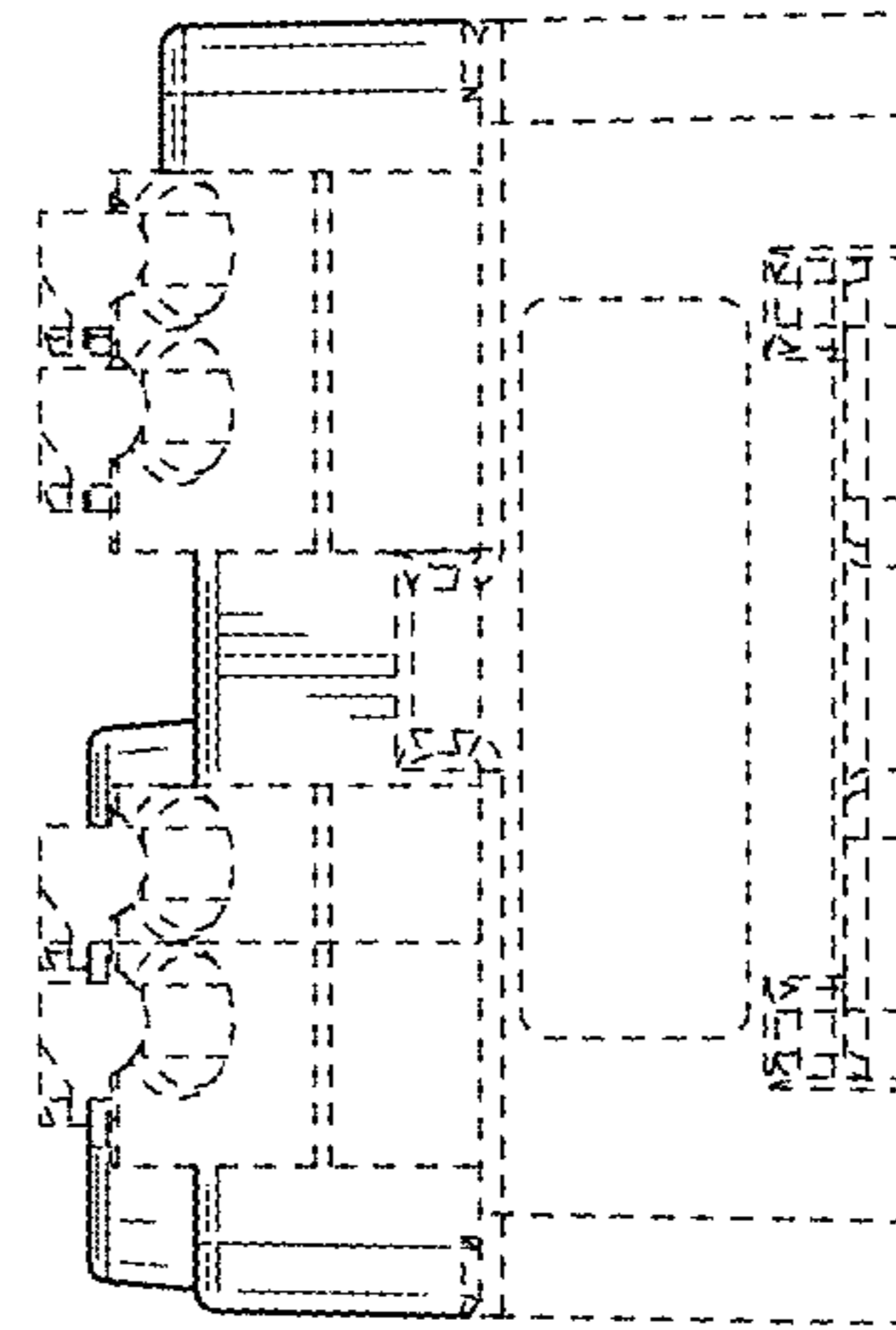


FIG. 4

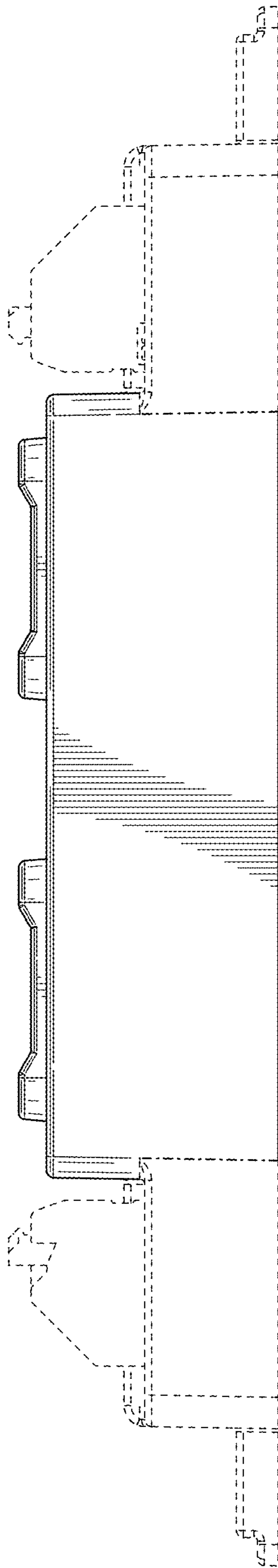


FIG. 5

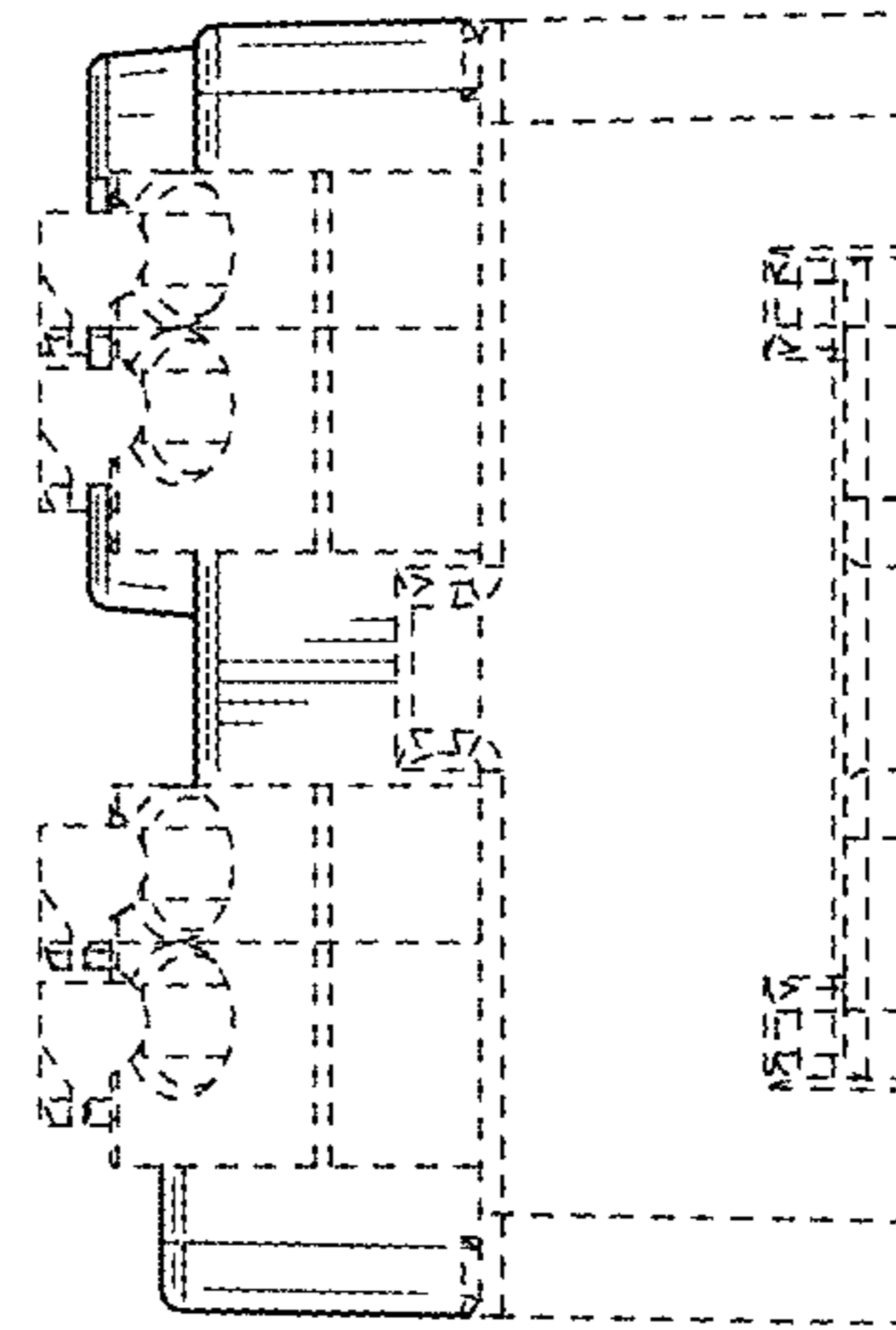


FIG. 6

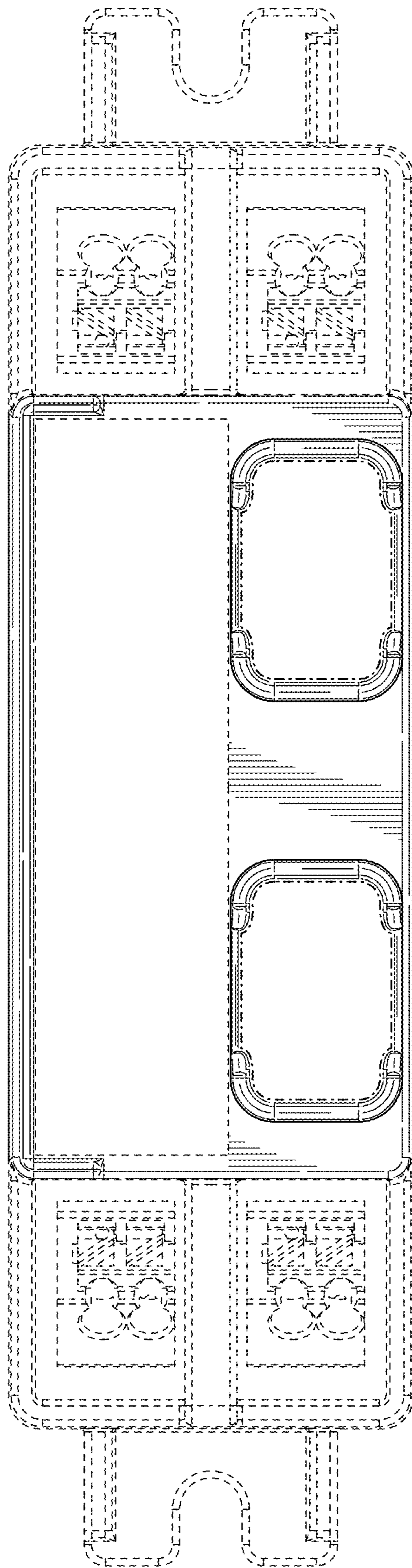


FIG. 7

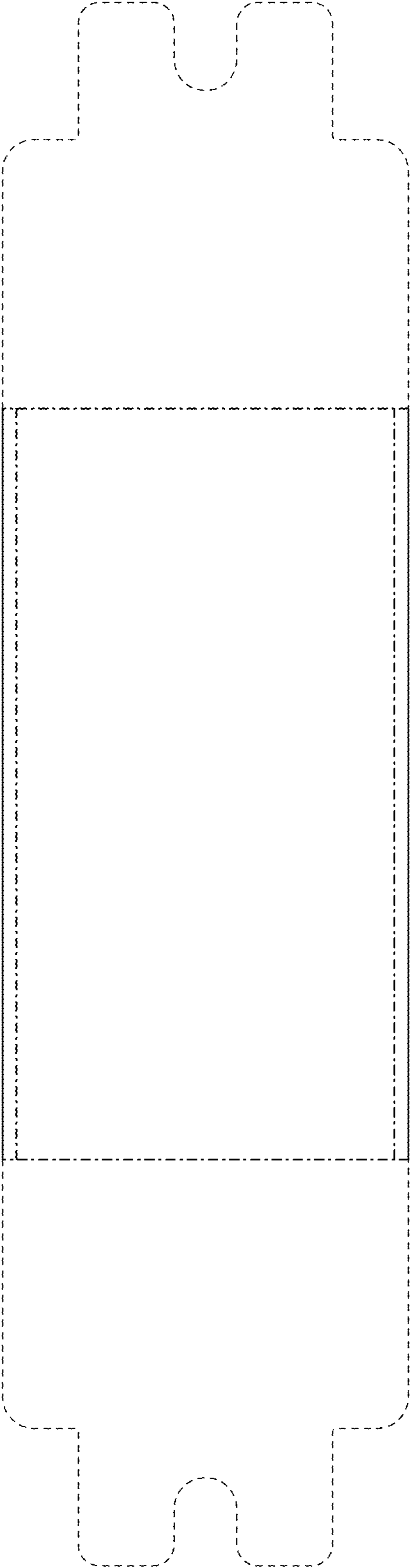


FIG. 8