



US00D954655S

(12) **United States Design Patent**
Platt et al.

(10) **Patent No.:** **US D954,655 S**
(45) **Date of Patent:** **** Jun. 14, 2022**

(54) **JOINER FOR CONDUIT FOR ROUTING CABLE**

(74) *Attorney, Agent, or Firm* — Cantor Colburn LLP

(71) Applicant: **The Siemon Company**, Watertown, CT (US)

(57) **CLAIM**

The ornamental design for the joiner for conduit for routing cable, as shown.

(72) Inventors: **Evan Platt**, Watertown, CT (US);
Jonathan Ciccio, Watertown, CT (US);
Kevin J. Stronkowsky, Middlebury, CT (US);
Scott Nagel, Trumbull, CT (US)

DESCRIPTION

(73) Assignee: **THE SIEMON COMPANY**,
Watertown, CT (US)

FIG. 1 is a top, isometric view of a joiner for conduit for routing cable showing a first embodiment of our new design; FIG. 2 is a bottom, isometric view of a joiner for conduit for routing cable showing a first embodiment of our new design; FIG. 3 is a front elevation view thereof; FIG. 4 is a rear elevation view thereof; FIG. 5 is a left side elevation view thereof; FIG. 6 is a right side elevation view thereof; FIG. 7 is a top-down plan view thereof; FIG. 8 is a bottom-up plan view thereof; FIG. 9 is a top, isometric view of a joiner for conduit for routing cable showing a second embodiment of our new design; FIG. 10 is a bottom, isometric view of a joiner for conduit for routing cable showing a second embodiment of our new design; FIG. 11 is a front elevation view thereof; FIG. 12 is a rear elevation view thereof; FIG. 13 is a left side elevation view thereof; FIG. 14 is a right side elevation view thereof; FIG. 15 is a top-down plan view thereof; FIG. 16 is a bottom-up plan view thereof; FIG. 17 is a top, isometric view of a joiner for conduit for routing cable showing a third embodiment of our new design; FIG. 18 is a bottom, isometric view of a joiner for conduit for routing cable showing a third embodiment of our new design; FIG. 19 is a front elevation view thereof; FIG. 20 is a rear elevation view thereof; FIG. 21 is a left side elevation view thereof; FIG. 22 is a right side elevation view thereof; FIG. 23 is a top-down plan view thereof; FIG. 24 is a bottom-up plan view thereof;

(**) Term: **15 Years**

(21) Appl. No.: **29/719,307**

(22) Filed: **Jan. 2, 2020**

(51) **LOC (13) Cl.** **13-03**

(52) **U.S. Cl.**
USPC **D13/155**

(58) **Field of Classification Search**
USPC D13/110, 133, 149, 154, 155, 156, 157;
D14/433; D8/356

(Continued)

(56) **References Cited**

U.S. PATENT DOCUMENTS

4,954,015 A * 9/1990 McGowan E04D 13/068
52/11

D431,533 S * 10/2000 Berkowitz D13/199
(Continued)

OTHER PUBLICATIONS

Siemon.com. Lightways Fiber Routing System. Date published: Apr. 2021. Date accessed: Jan. 2022. https://web.archive.org/web/*/https://www.siemon.com/en/home/systems/fiber-routing (Year: 2021).*

Primary Examiner — Jennifer O King

(Continued)

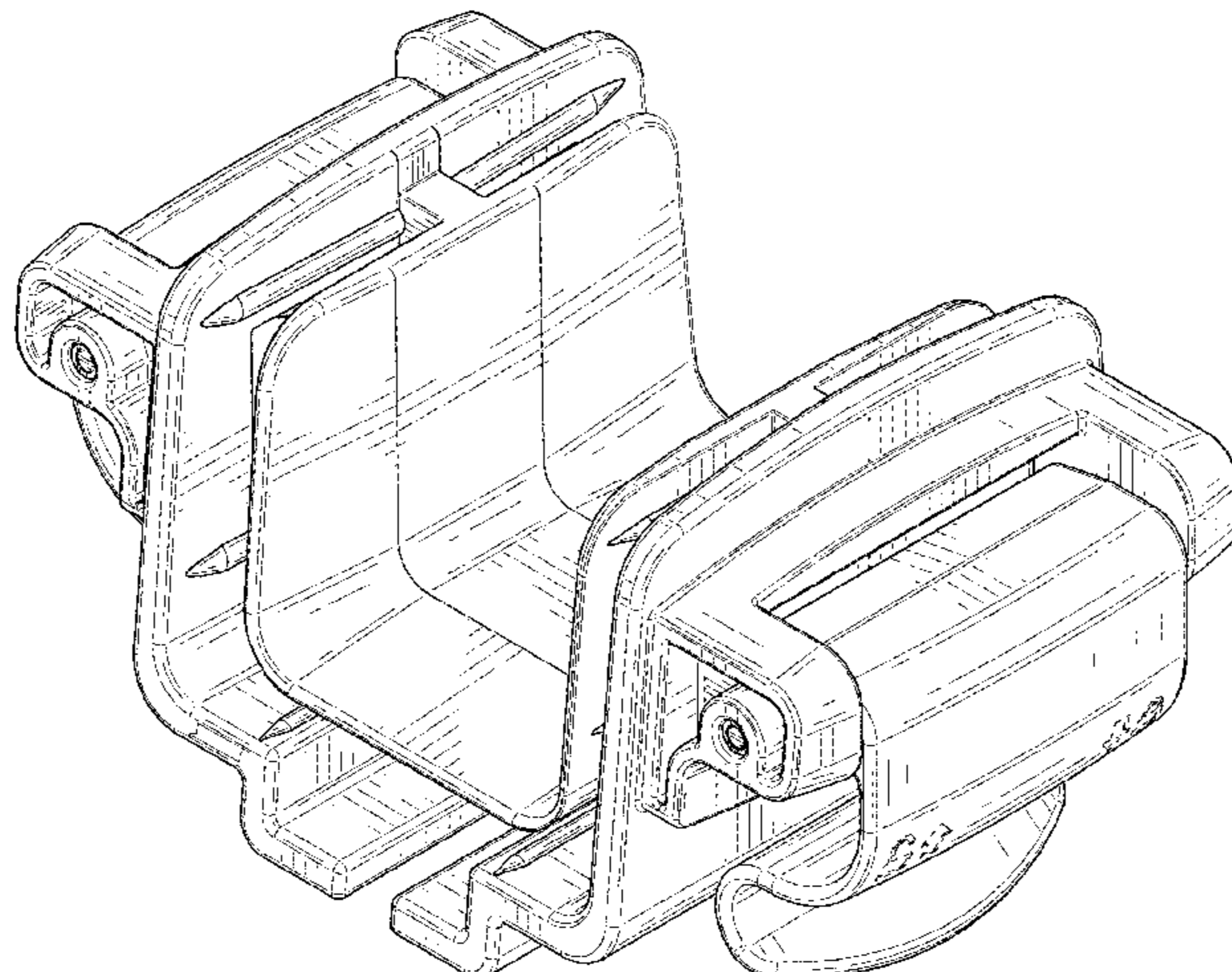


FIG. 25 is a top, isometric view of a joiner for conduit for routing cable showing a fourth embodiment of our new design;
FIG. 26 is a bottom, isometric view of a joiner for conduit for routing cable showing a fourth embodiment of our new design;
FIG. 27 is a front elevation view thereof;
FIG. 28 is a rear elevation view thereof;
FIG. 29 is a left side elevation view thereof;
FIG. 30 is a right side elevation view thereof;
FIG. 31 is a top-down plan view thereof; and,
FIG. 32 is a bottom-up plan view thereof.

1 Claim, 24 Drawing Sheets

(58) **Field of Classification Search**

CPC ... H01R 13/443; H01R 13/447; H02G 3/0608
See application file for complete search history.

(56)

References Cited

U.S. PATENT DOCUMENTS

D450,564	S	*	11/2001	Kane	D8/356
6,424,779	B1	*	7/2002	Ellison	G02B 6/4459 385/134
6,450,458	B1	*	9/2002	Bernard	H02G 3/0608 403/387
6,512,875	B1	*	1/2003	Johnson	H02G 3/0608 248/228.4
6,715,719	B2	*	4/2004	Nault	G02B 6/4439 403/387
8,186,633	B2	*	5/2012	Ferris	H02G 3/0608 403/325
D760,171	S	*	6/2016	Howard	D13/155
D884,655	S	*	5/2020	Maggard	D13/155
D899,232	S	*	10/2020	Banuls Tobaruela	D8/367
D936,612	S	*	11/2021	Endo	D13/156

* cited by examiner

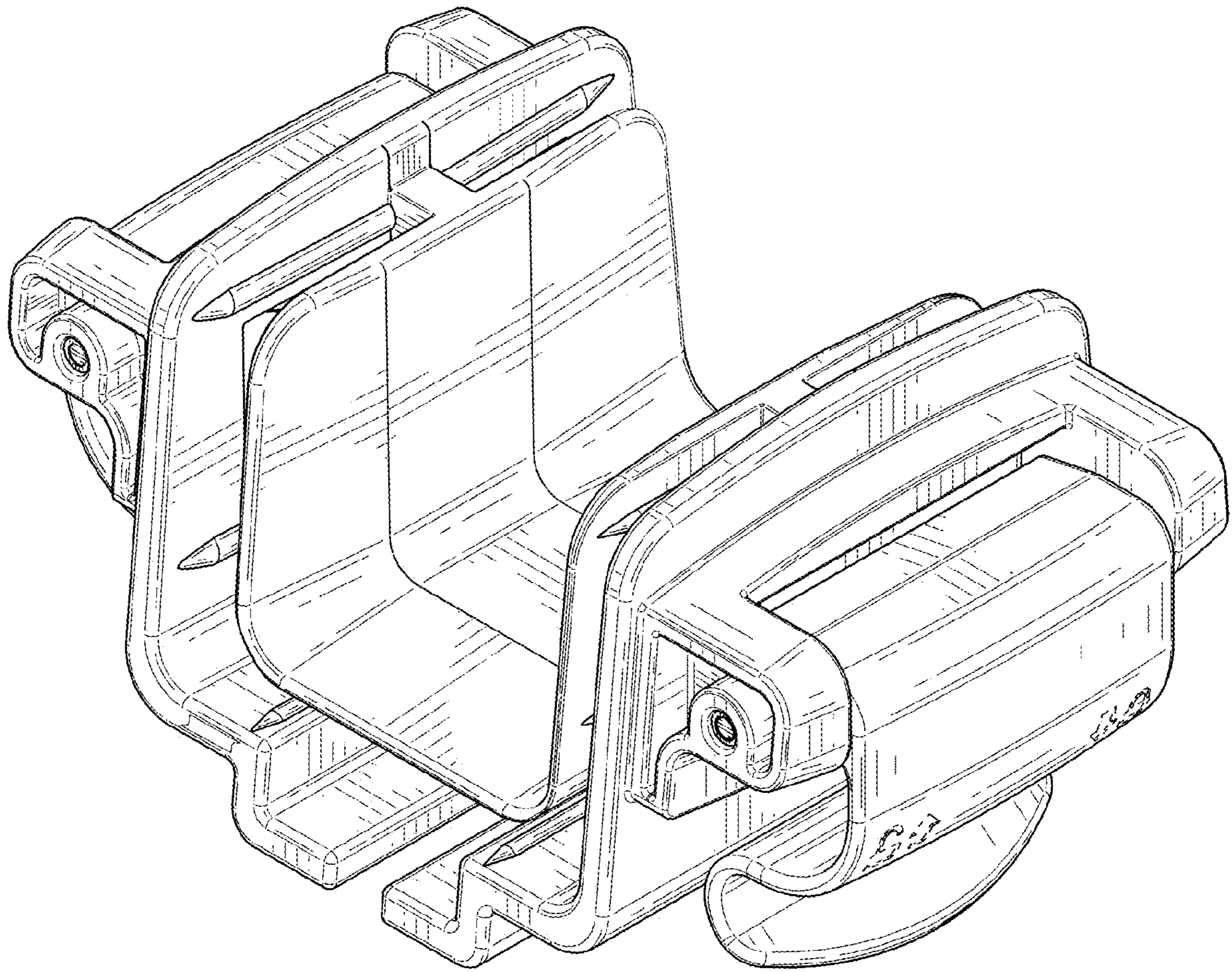


FIG. 1

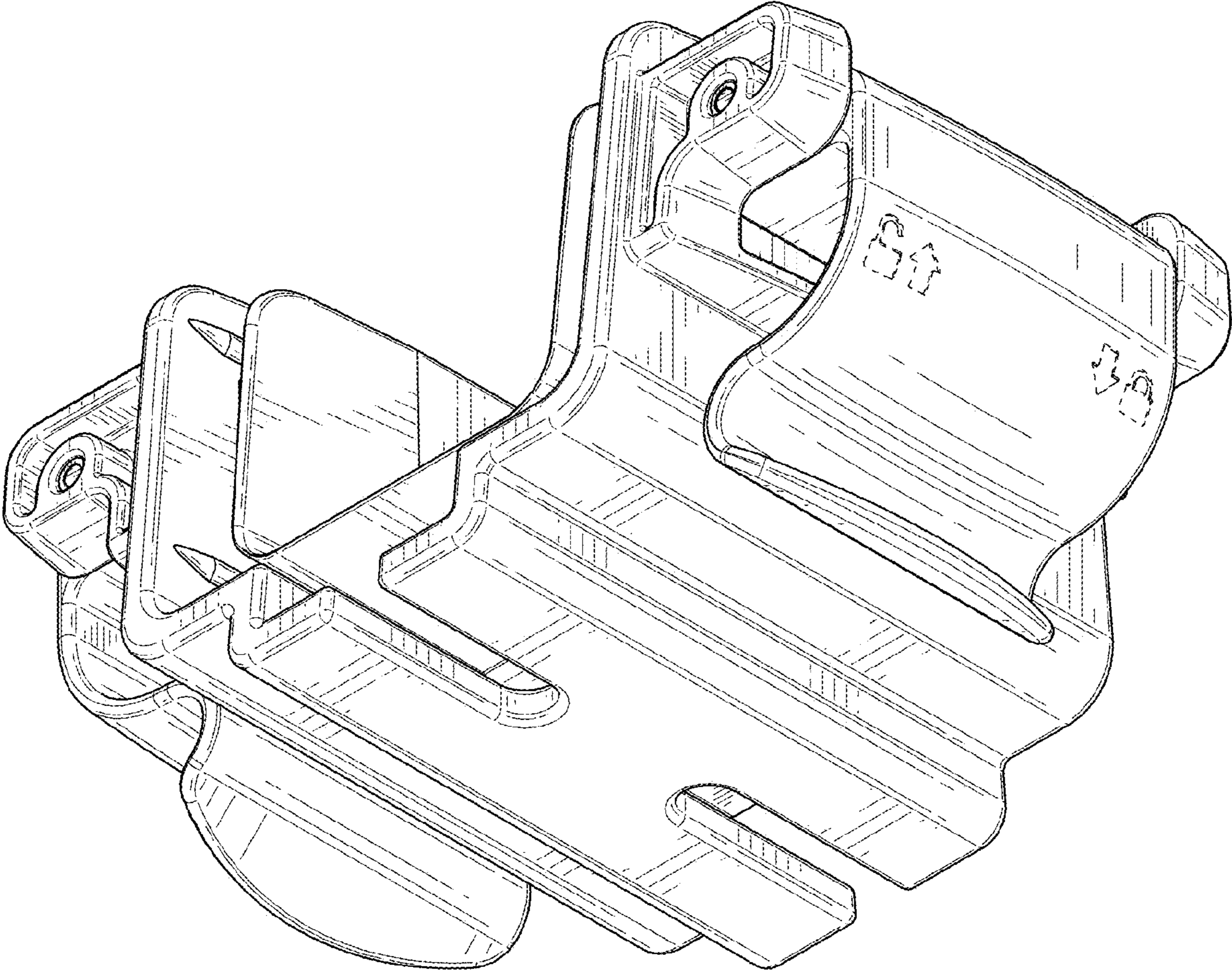


FIG. 2

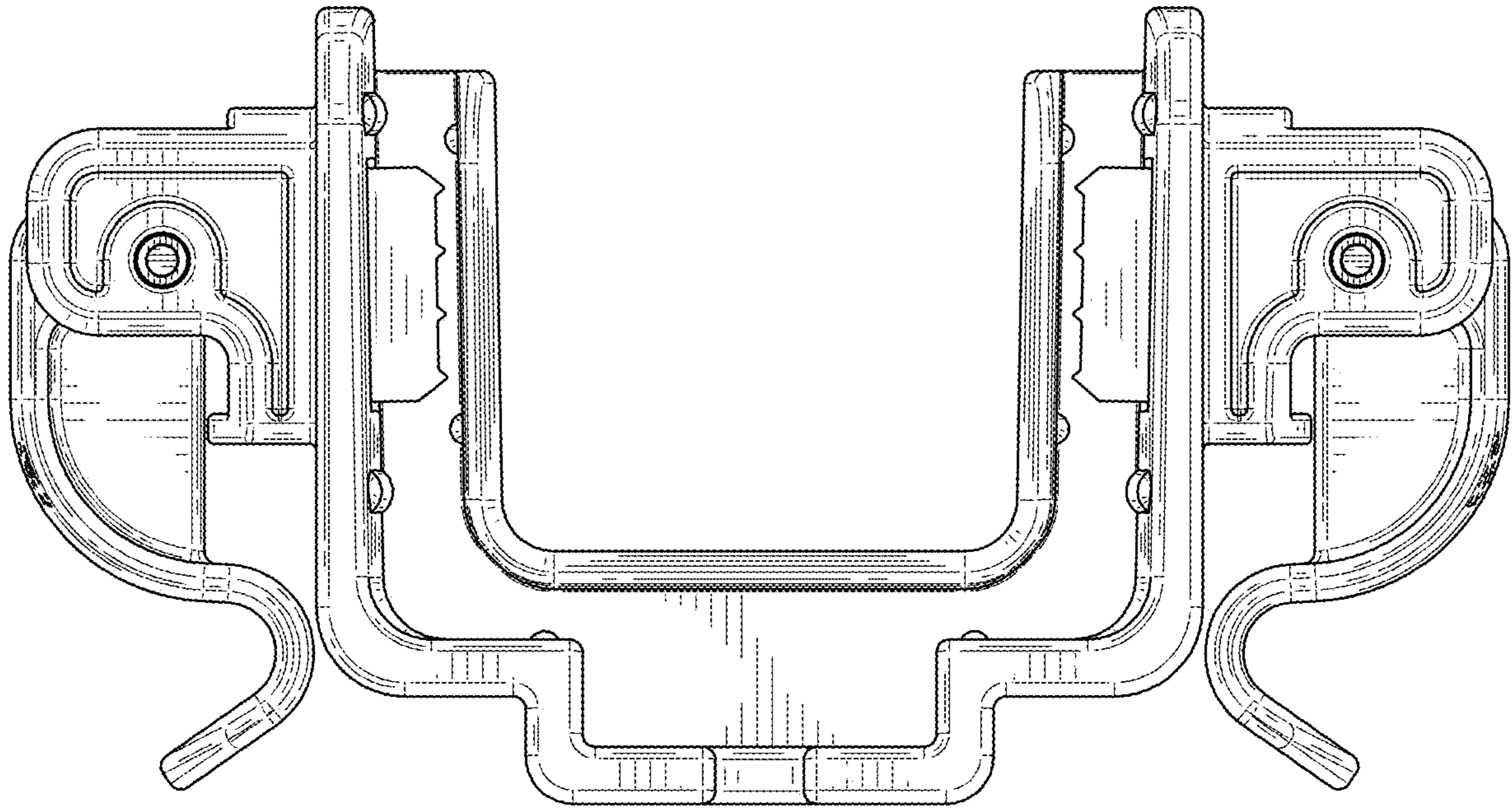


FIG. 3

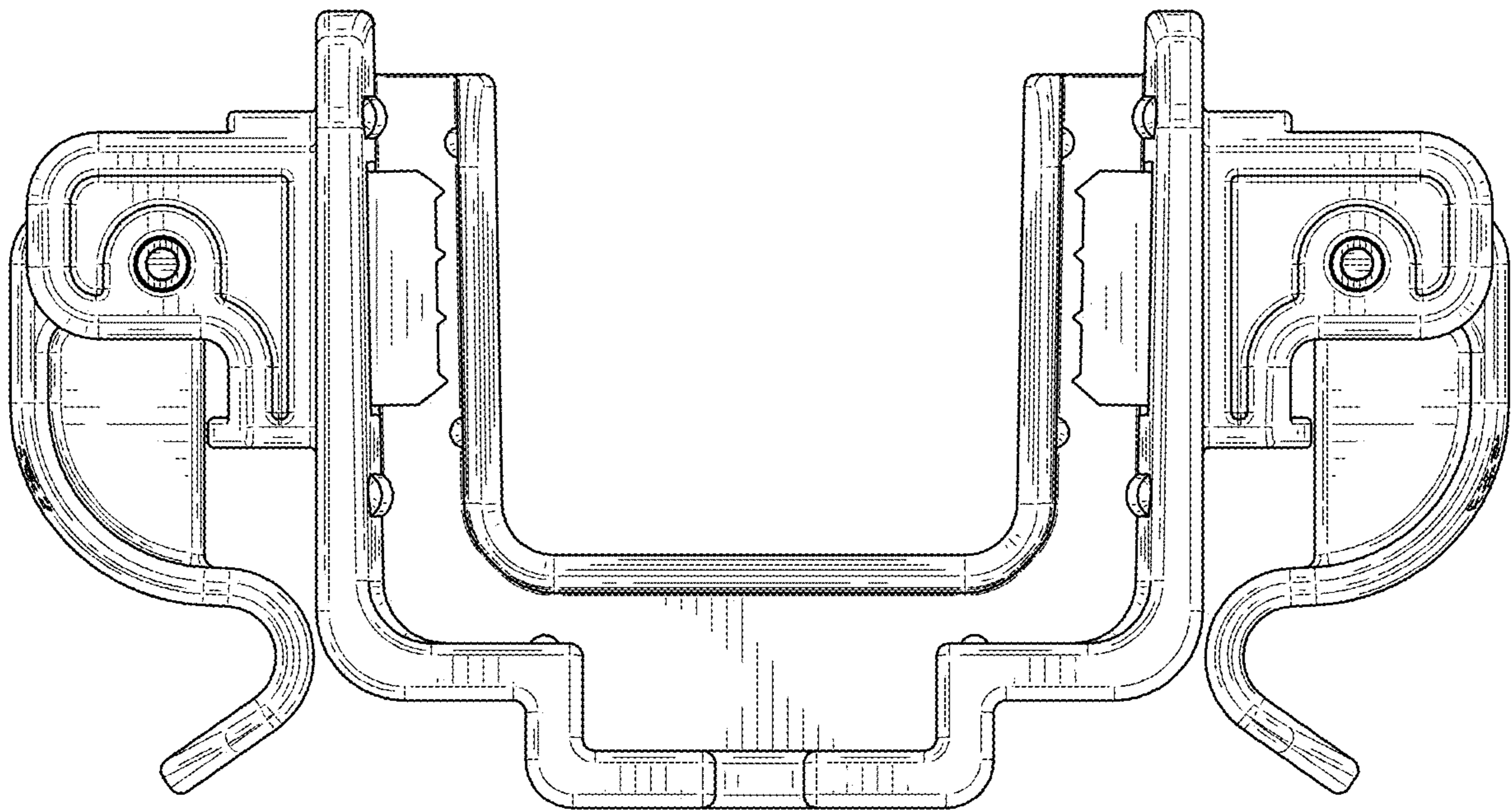


FIG. 4

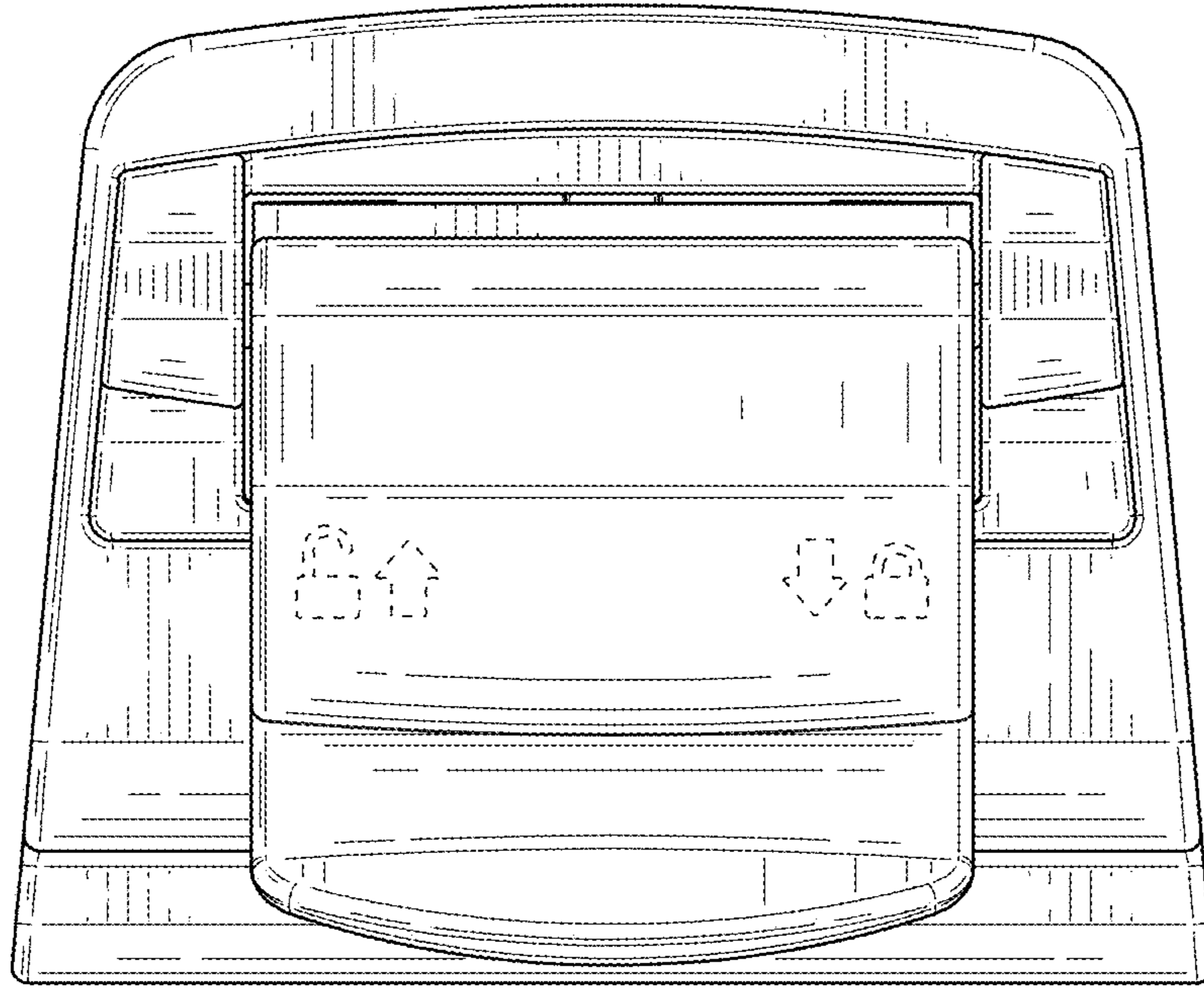


FIG. 5

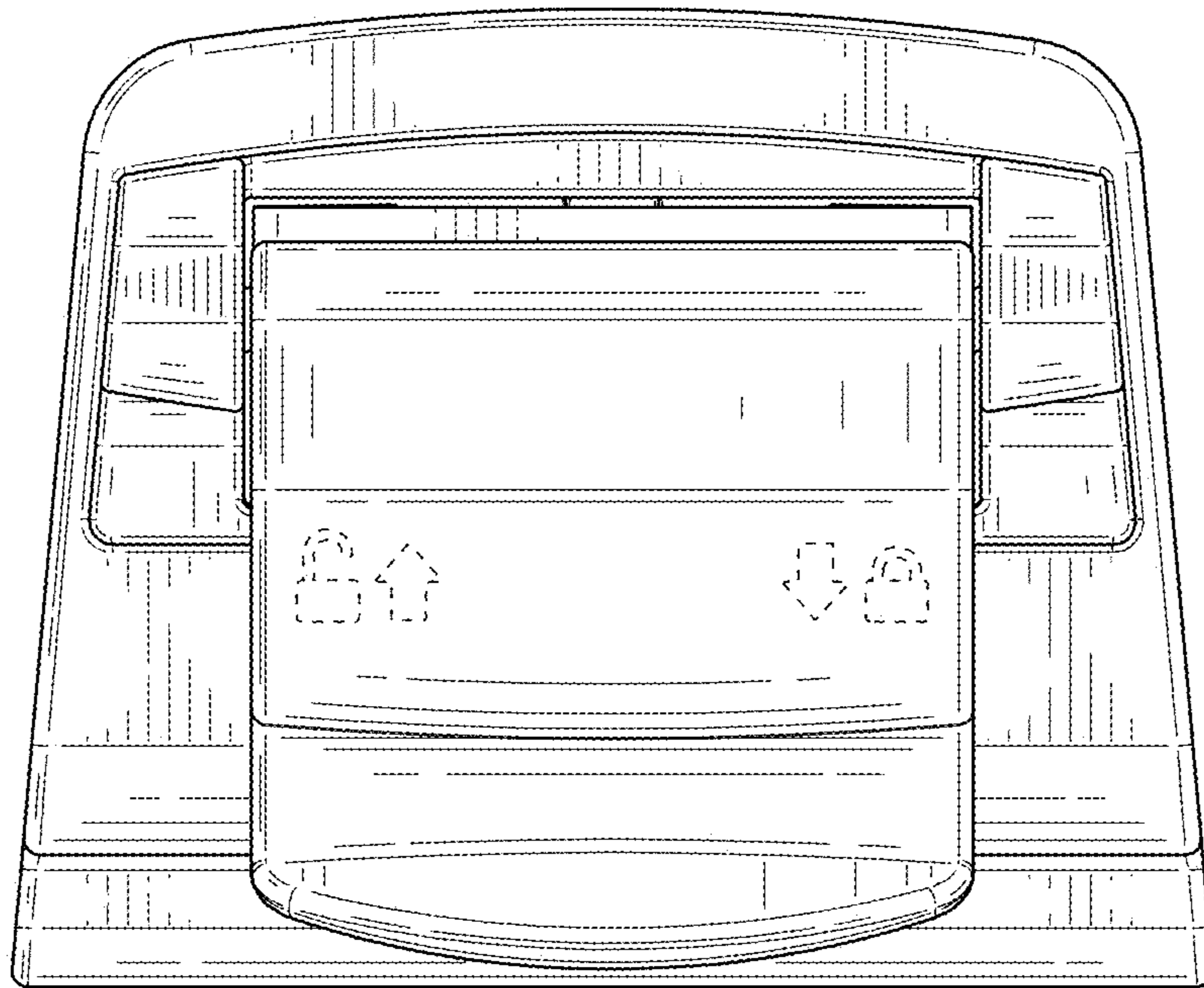


FIG. 6

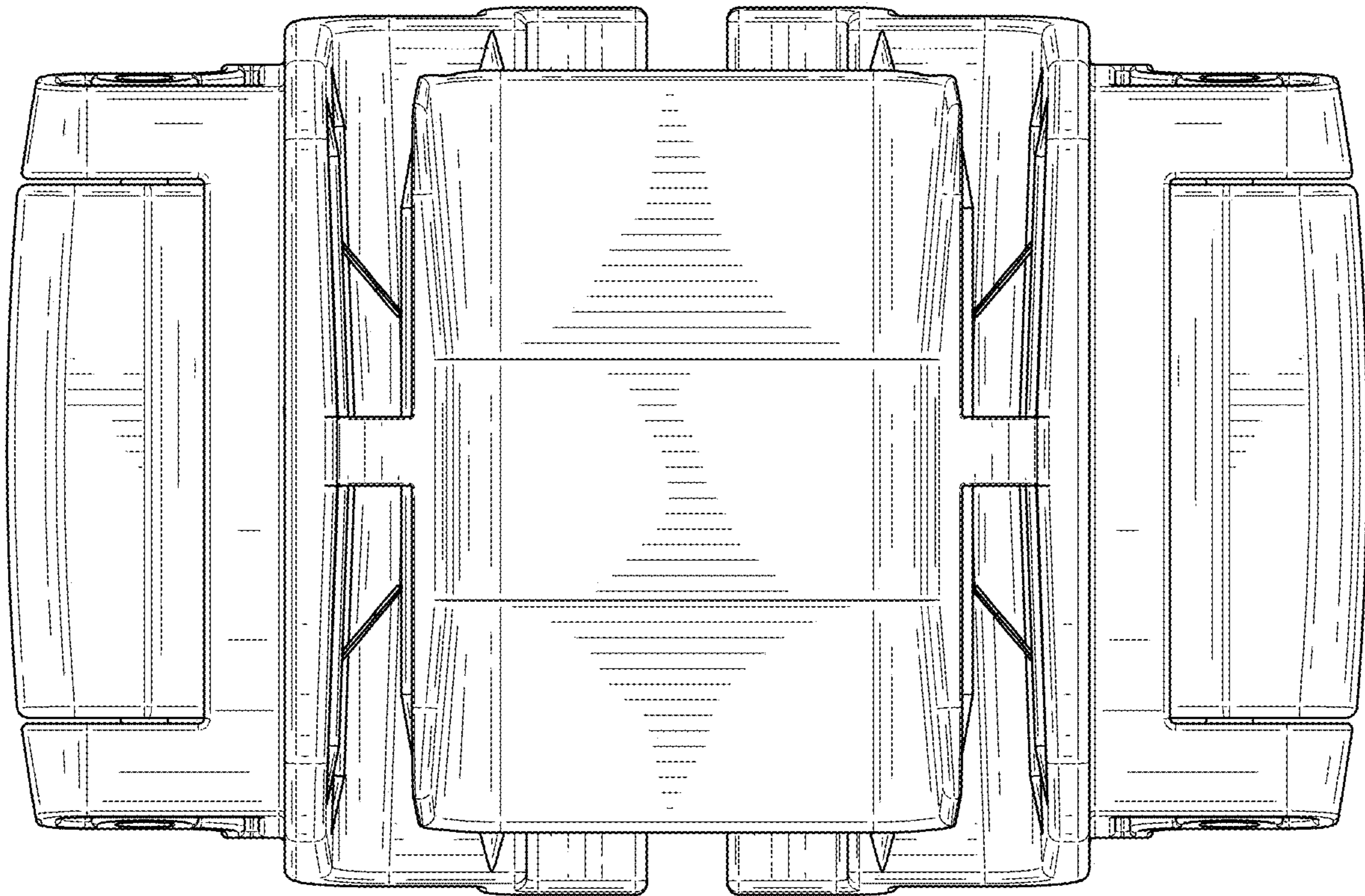


FIG. 7

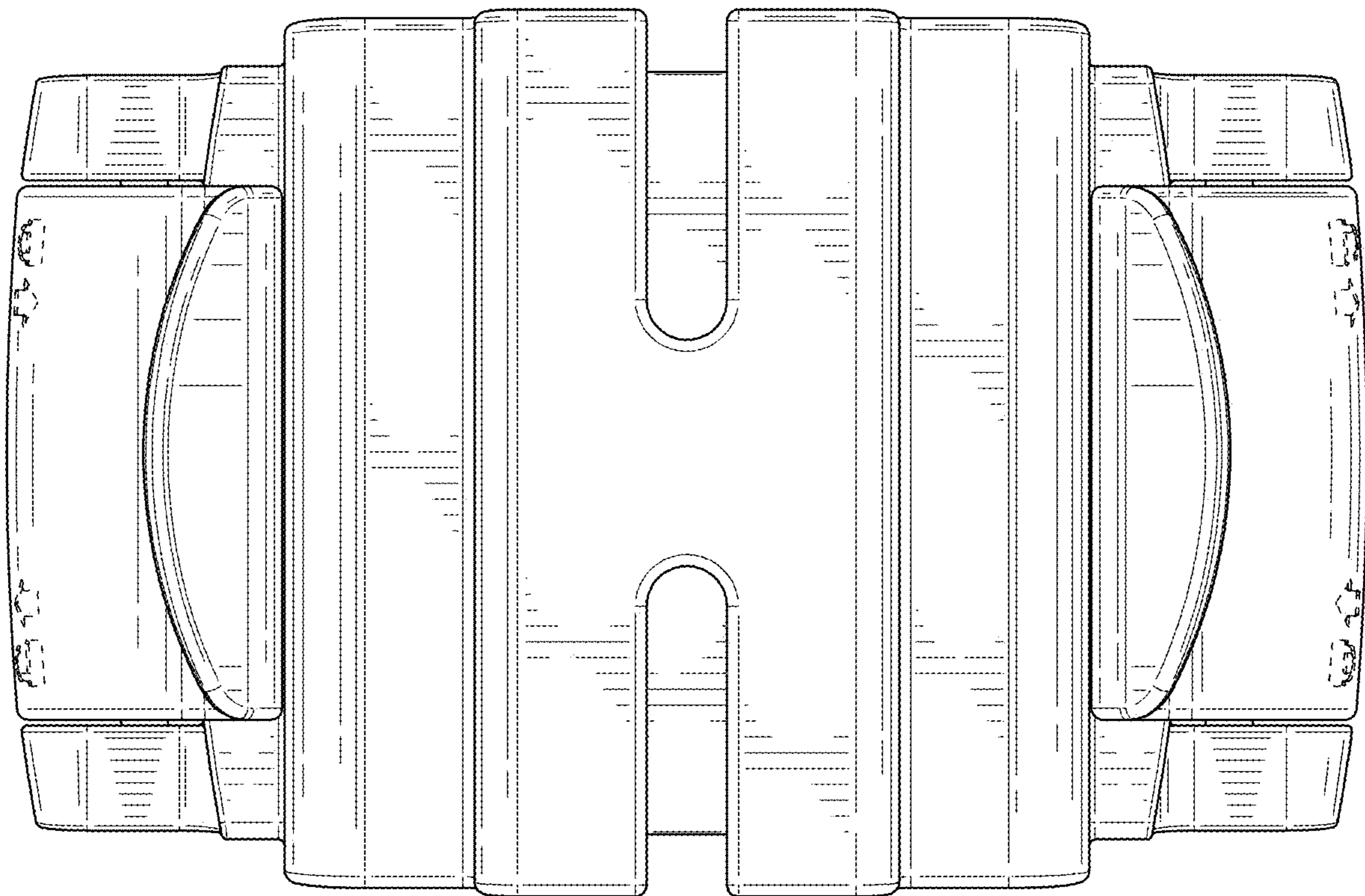


FIG. 8

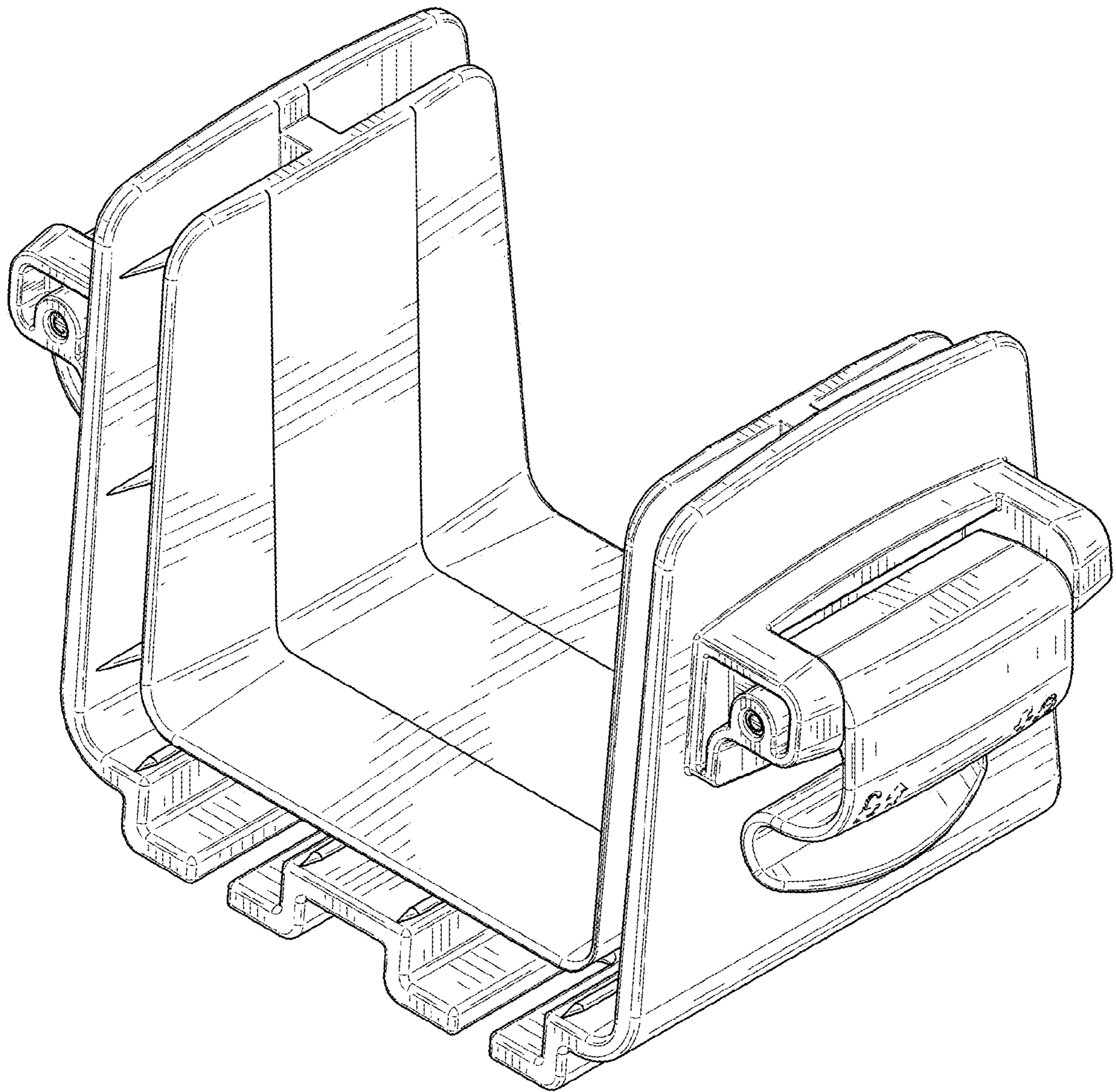


FIG. 9

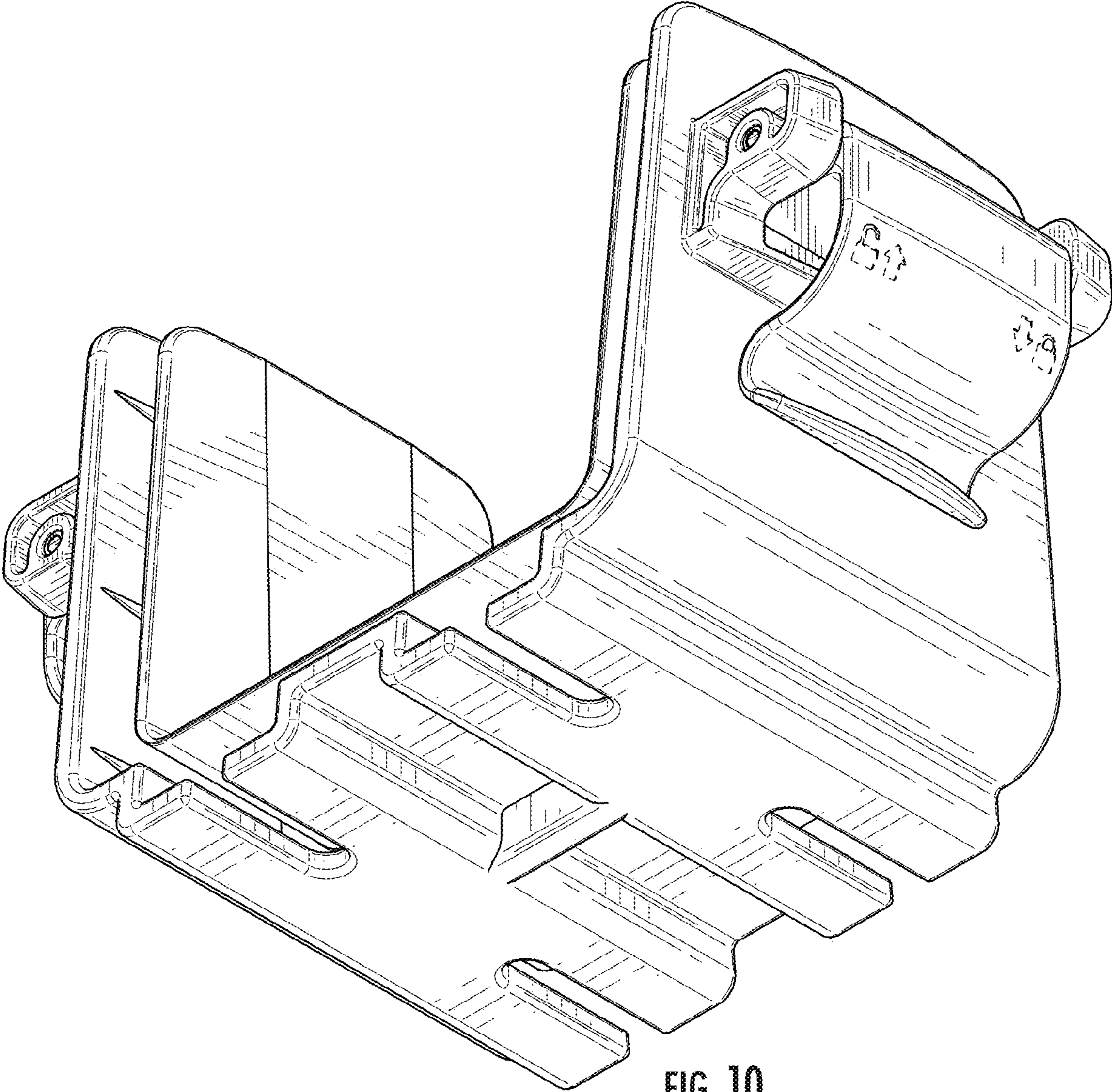
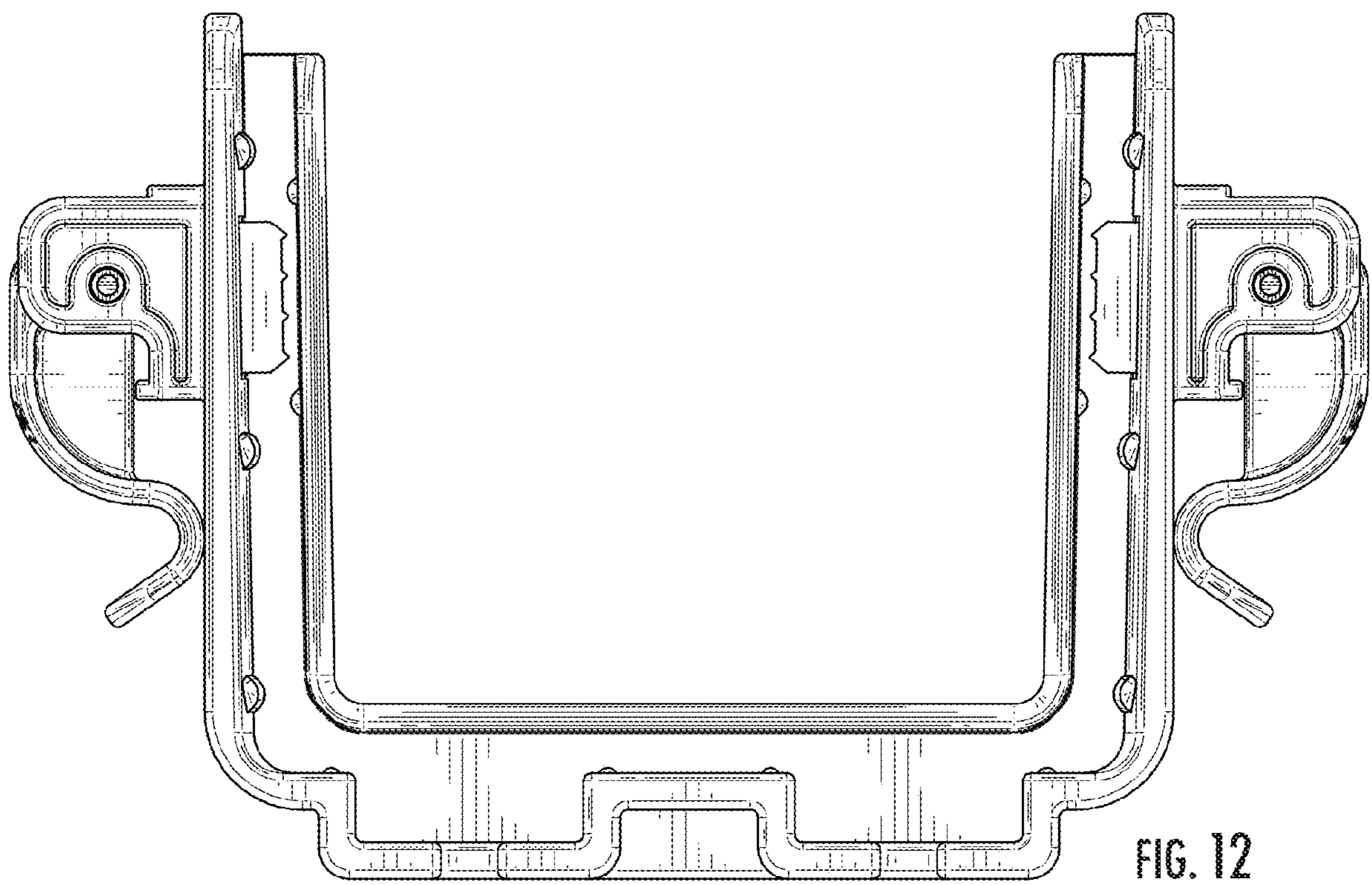
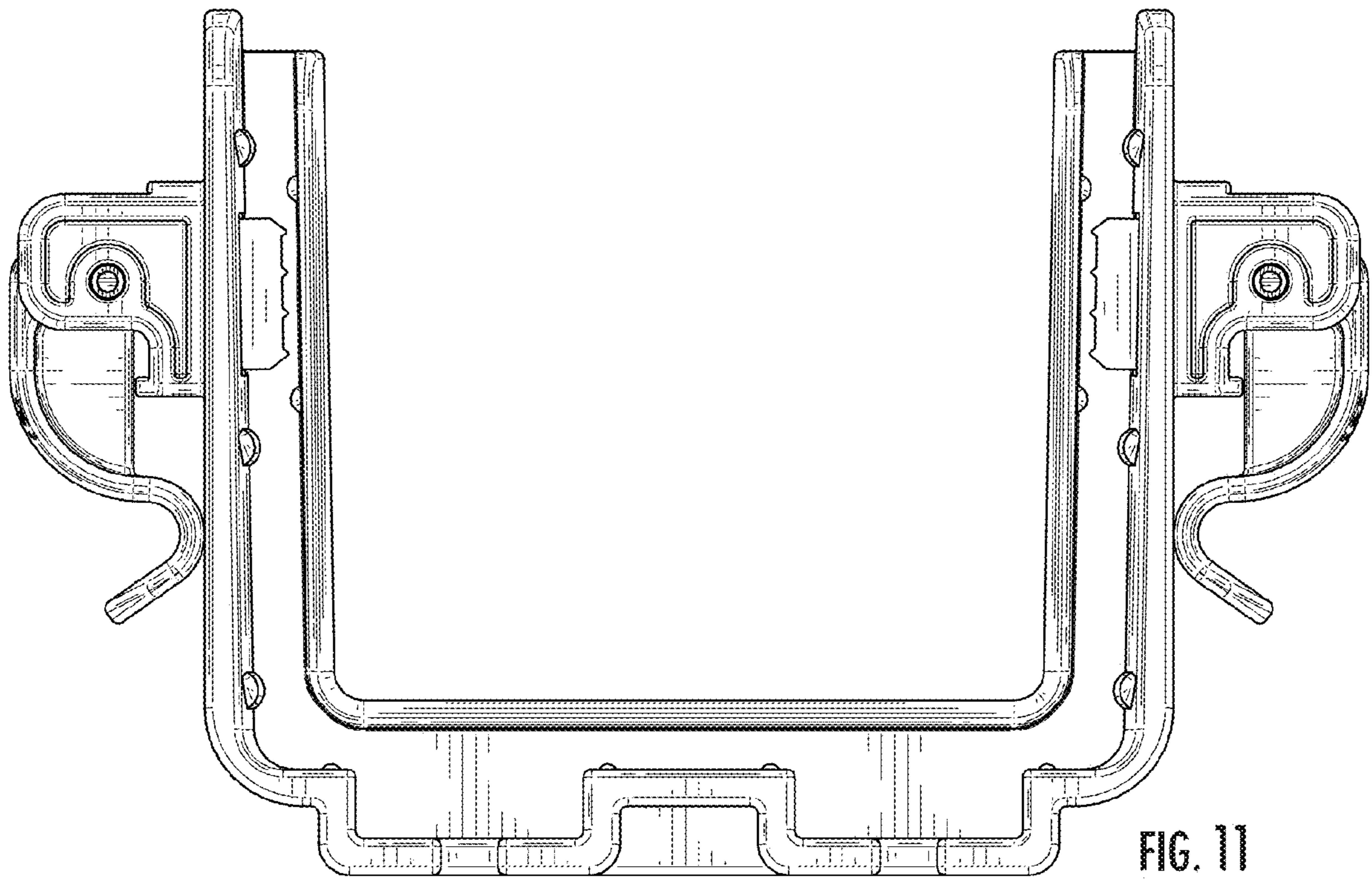


FIG. 10



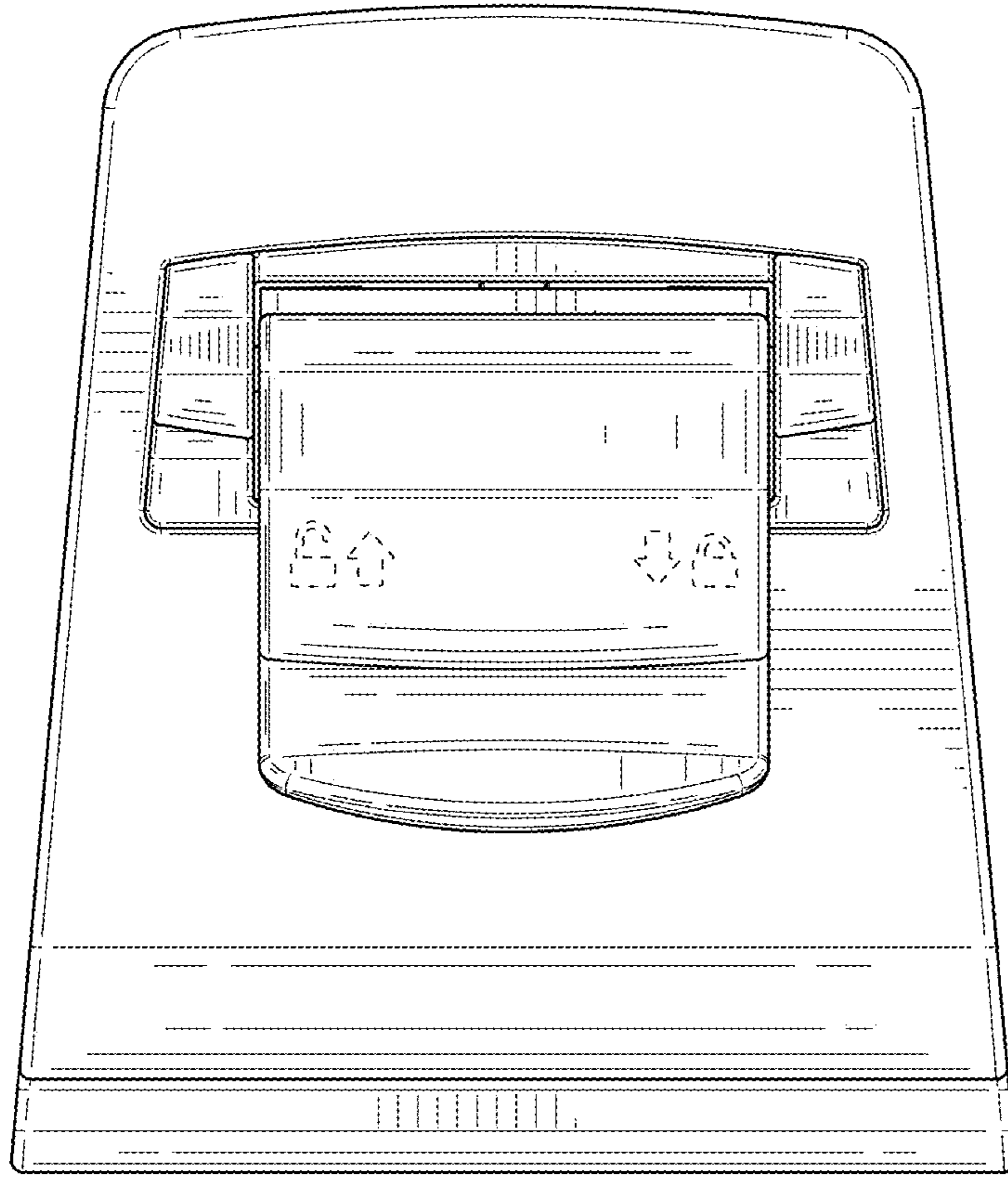


FIG. 13

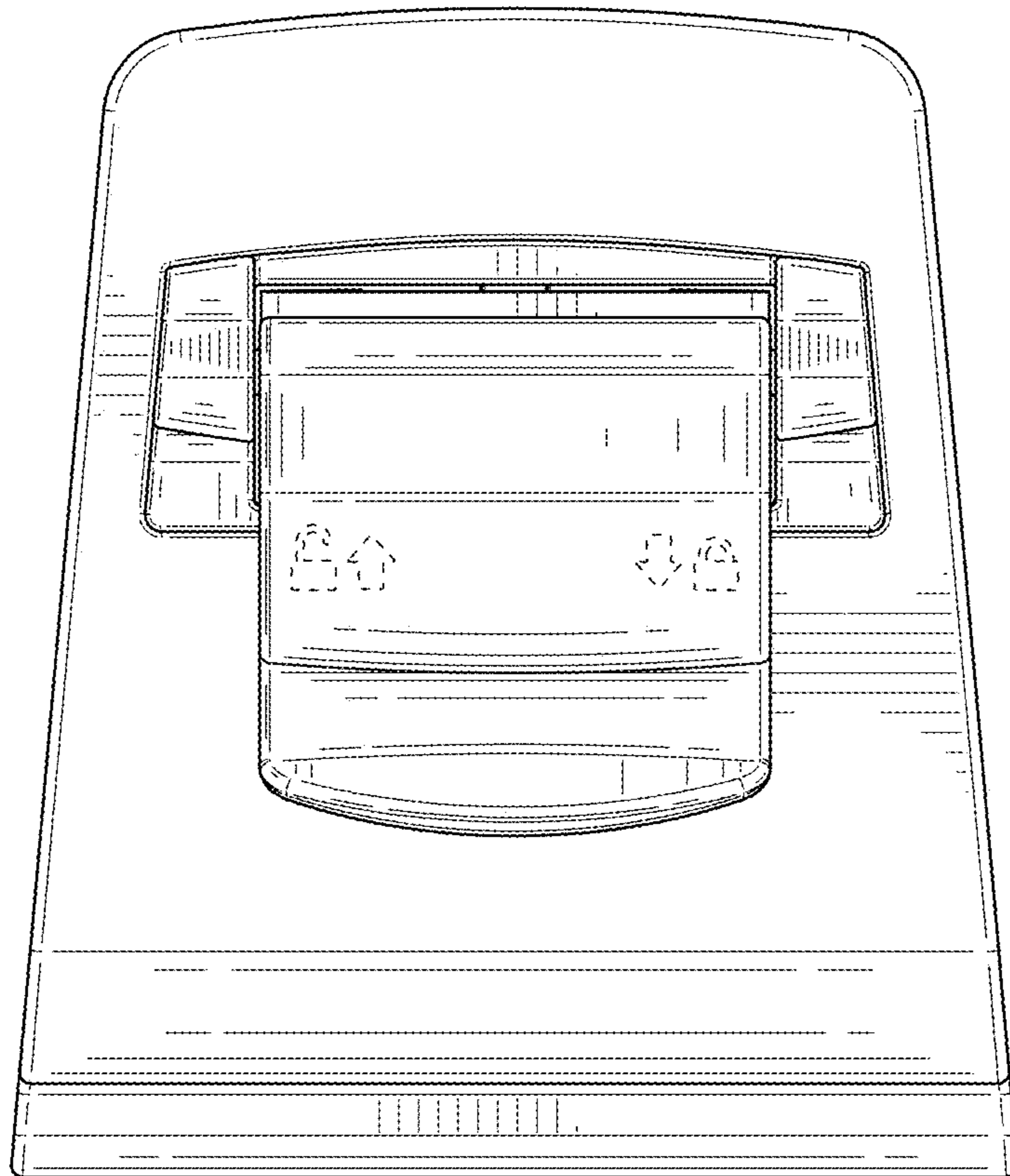


FIG. 14

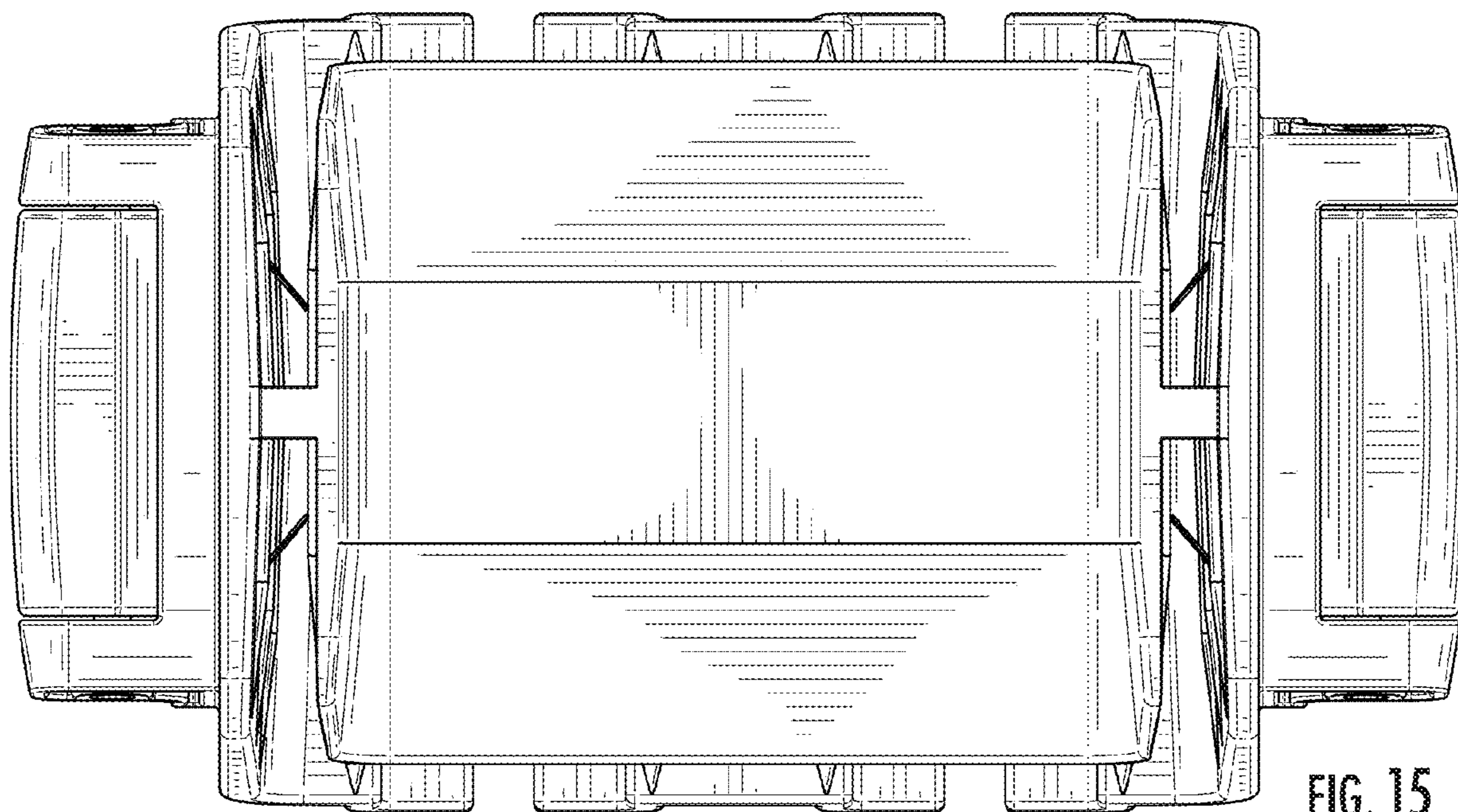


FIG. 15

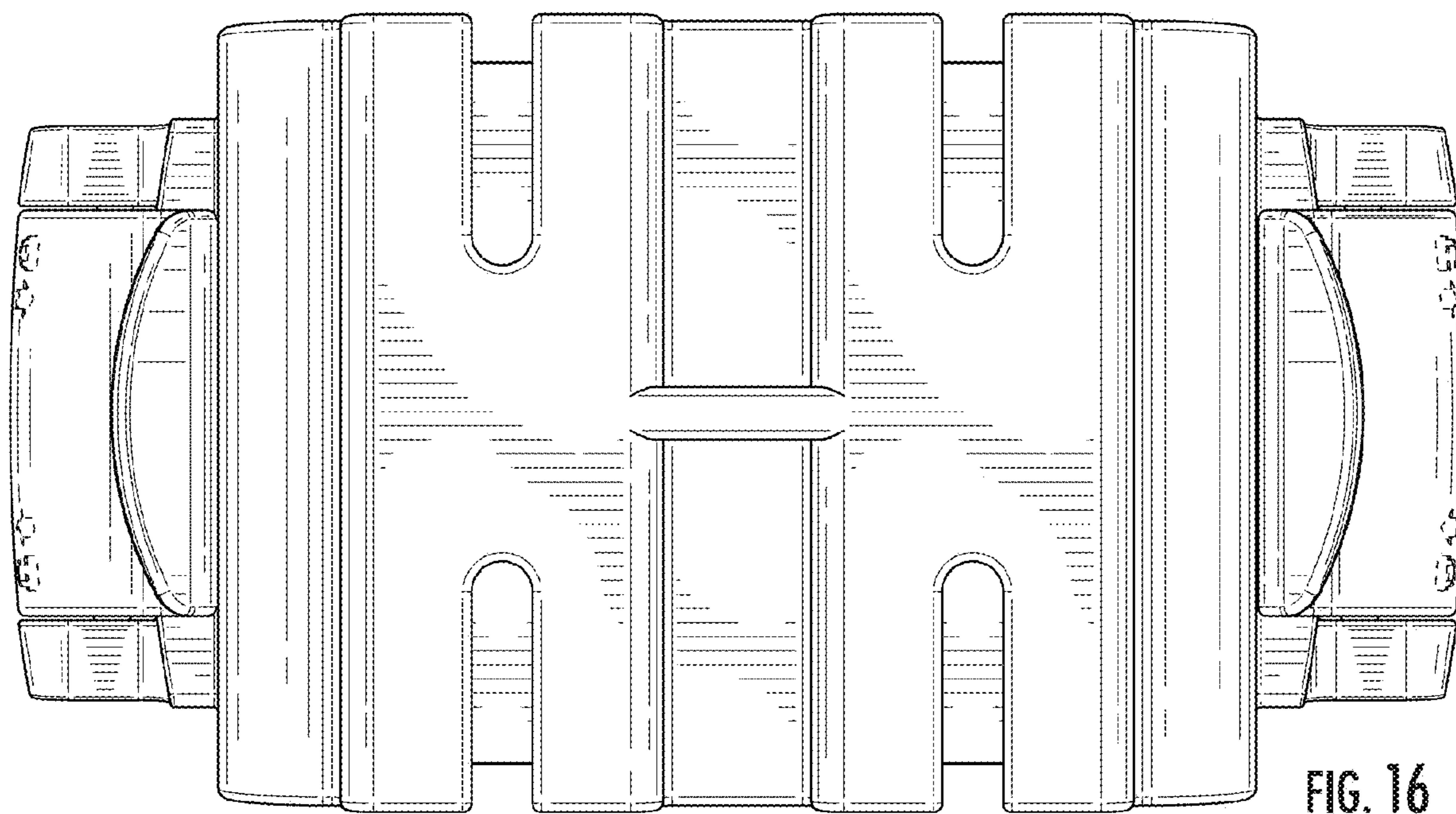


FIG. 16

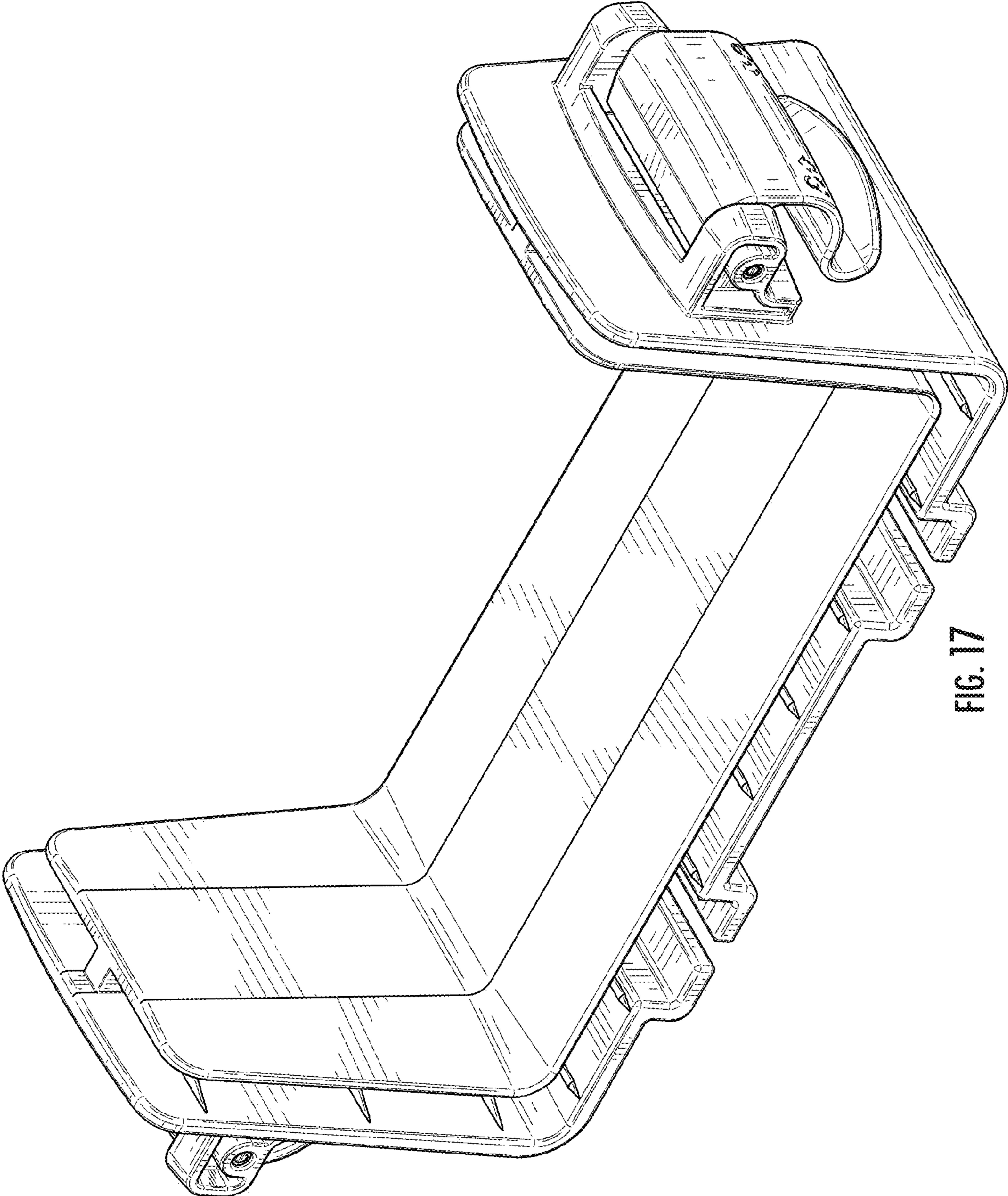


FIG. 17

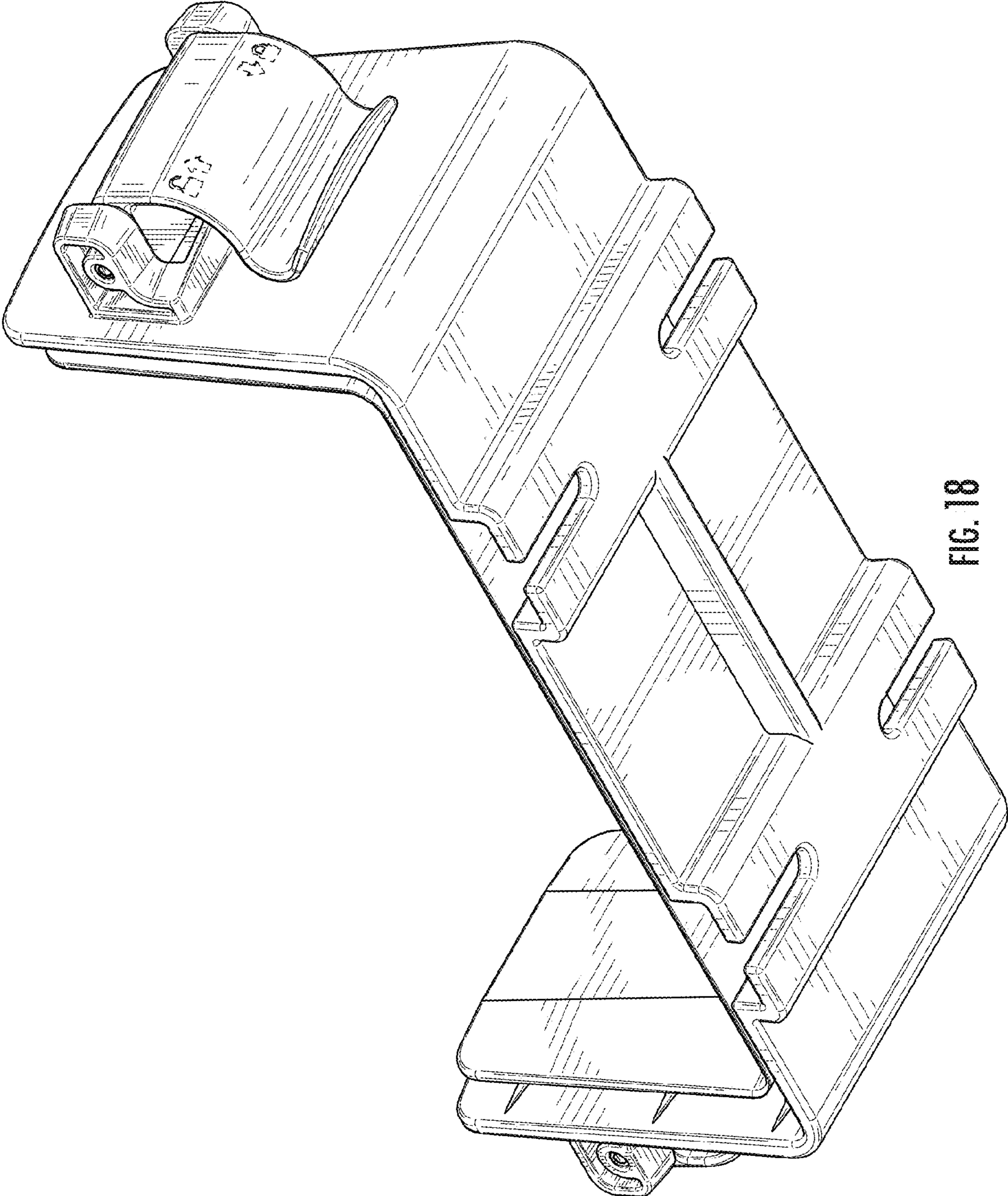


FIG. 18

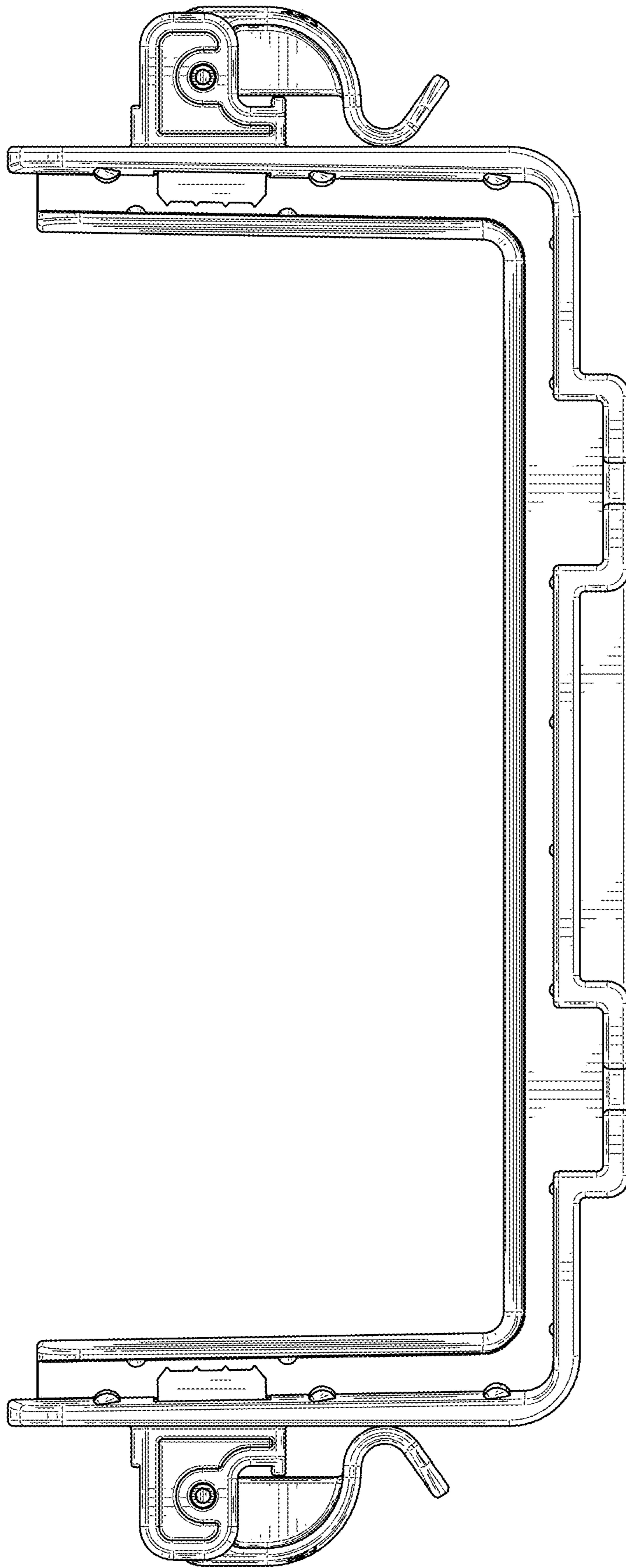


FIG. 19

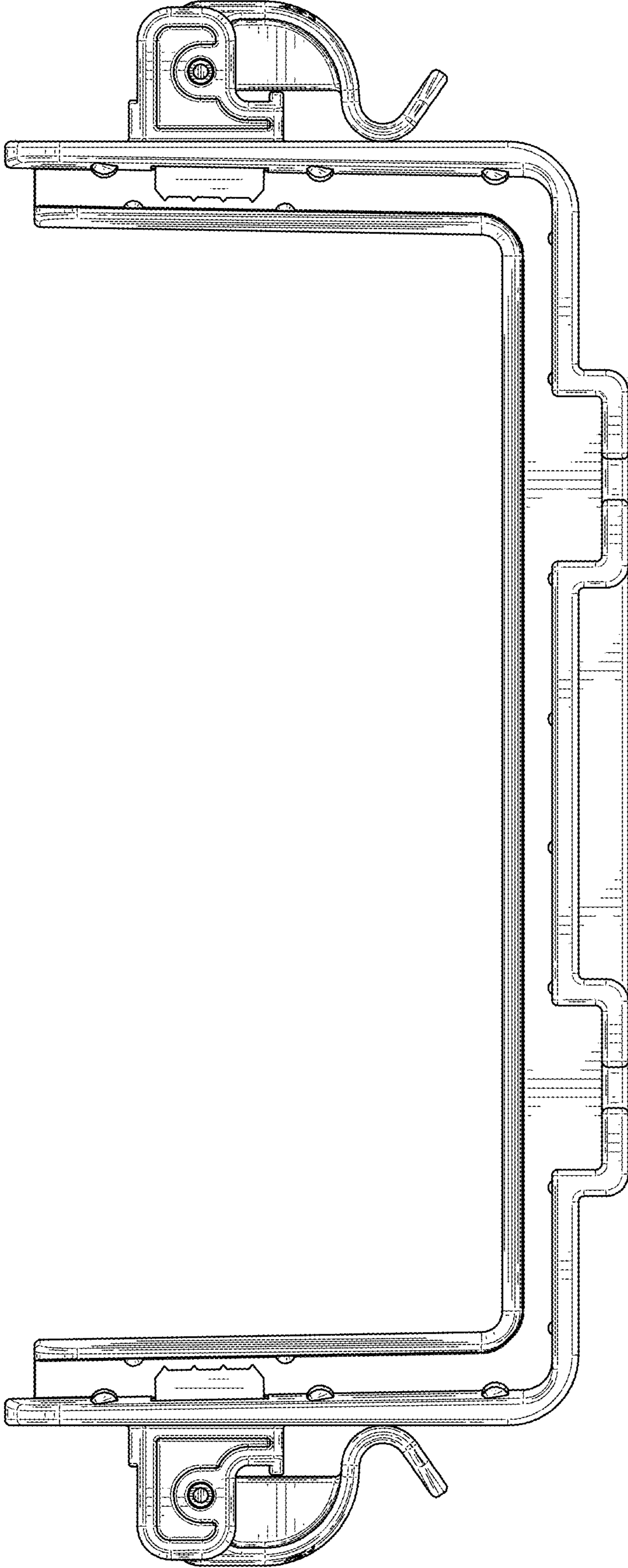


FIG. 20

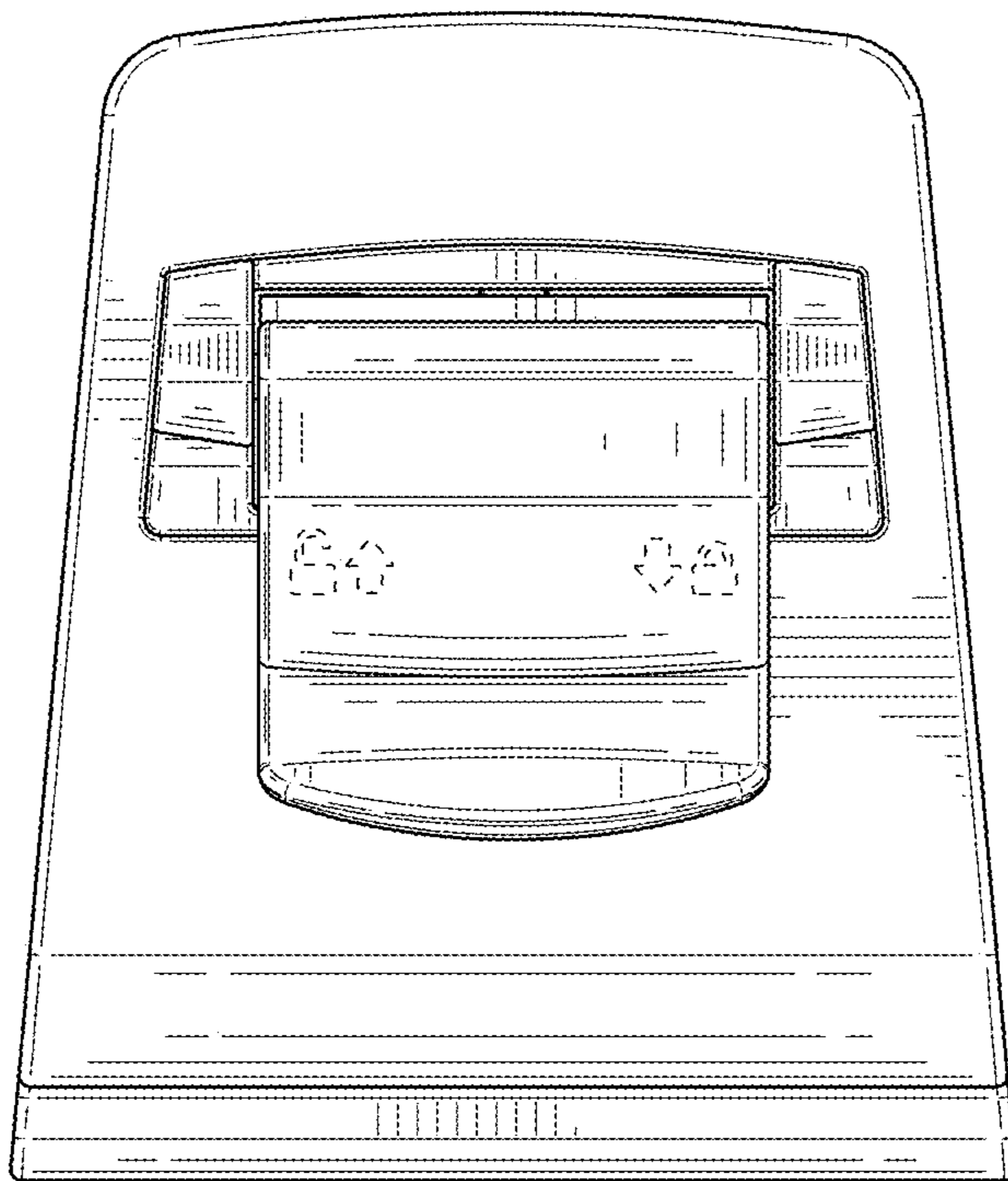


FIG. 21

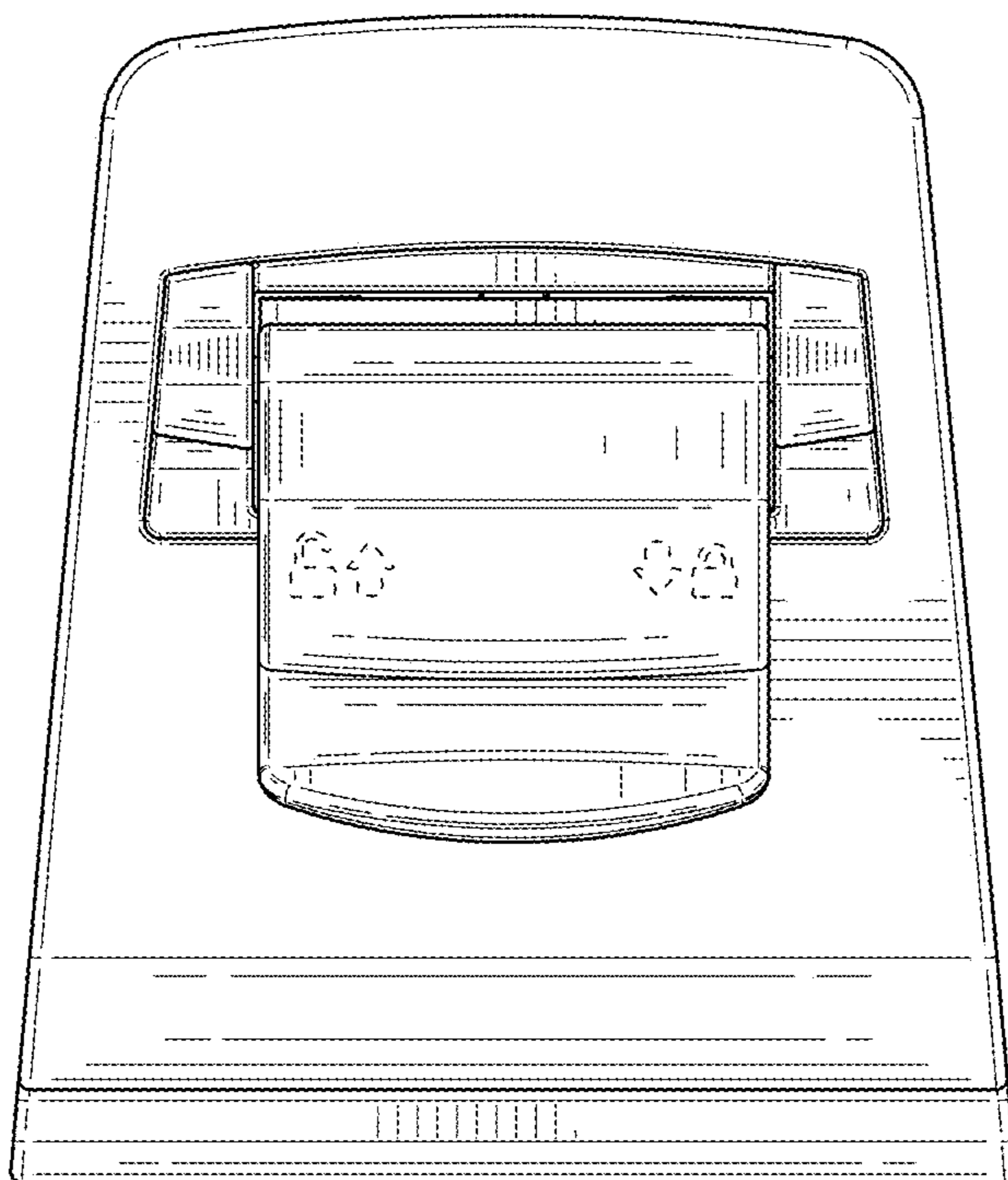


FIG. 22

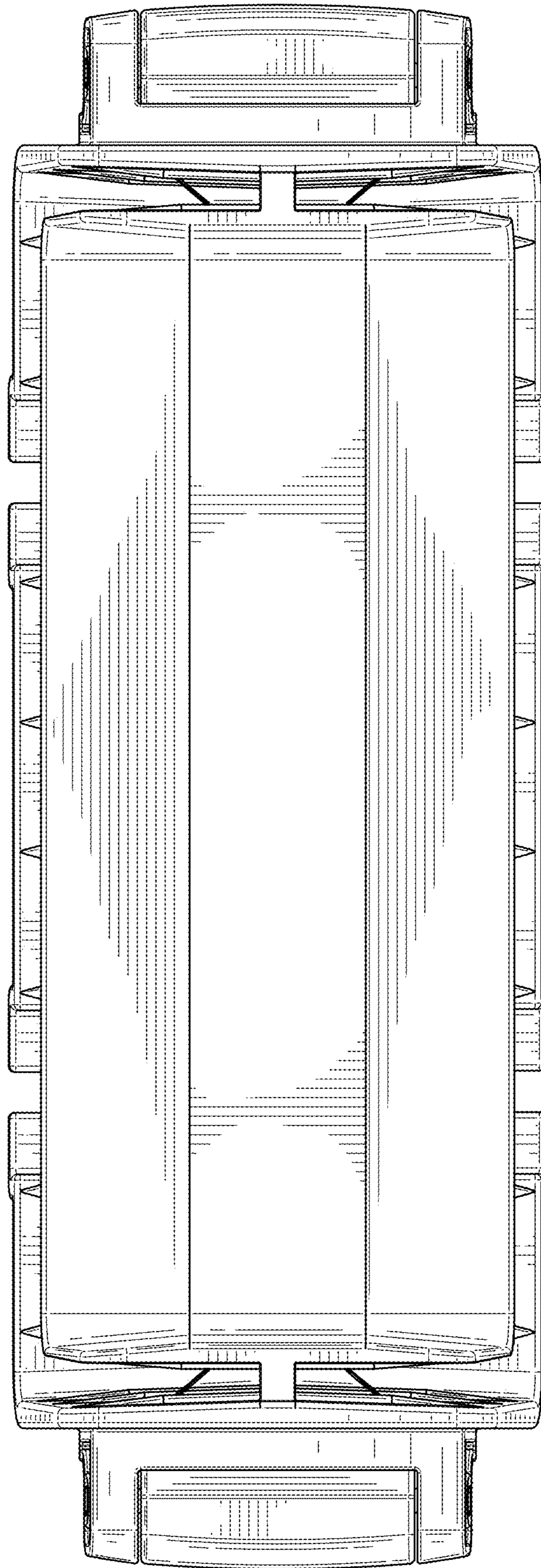


FIG. 23

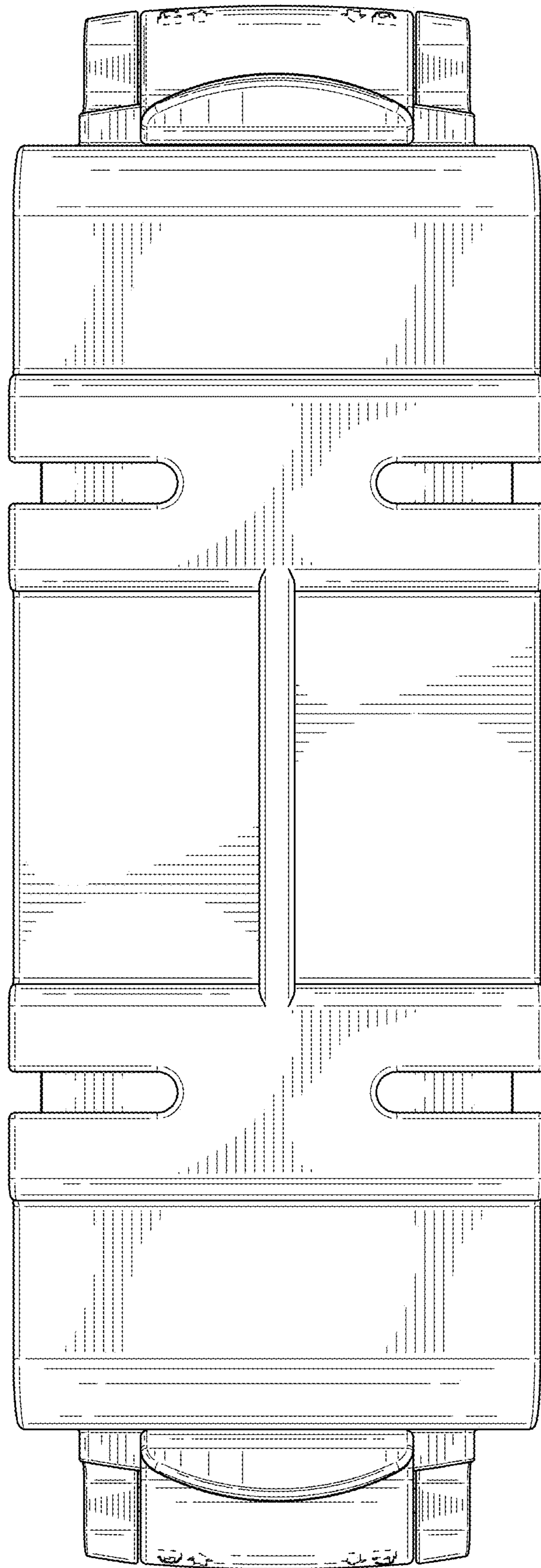


FIG. 24

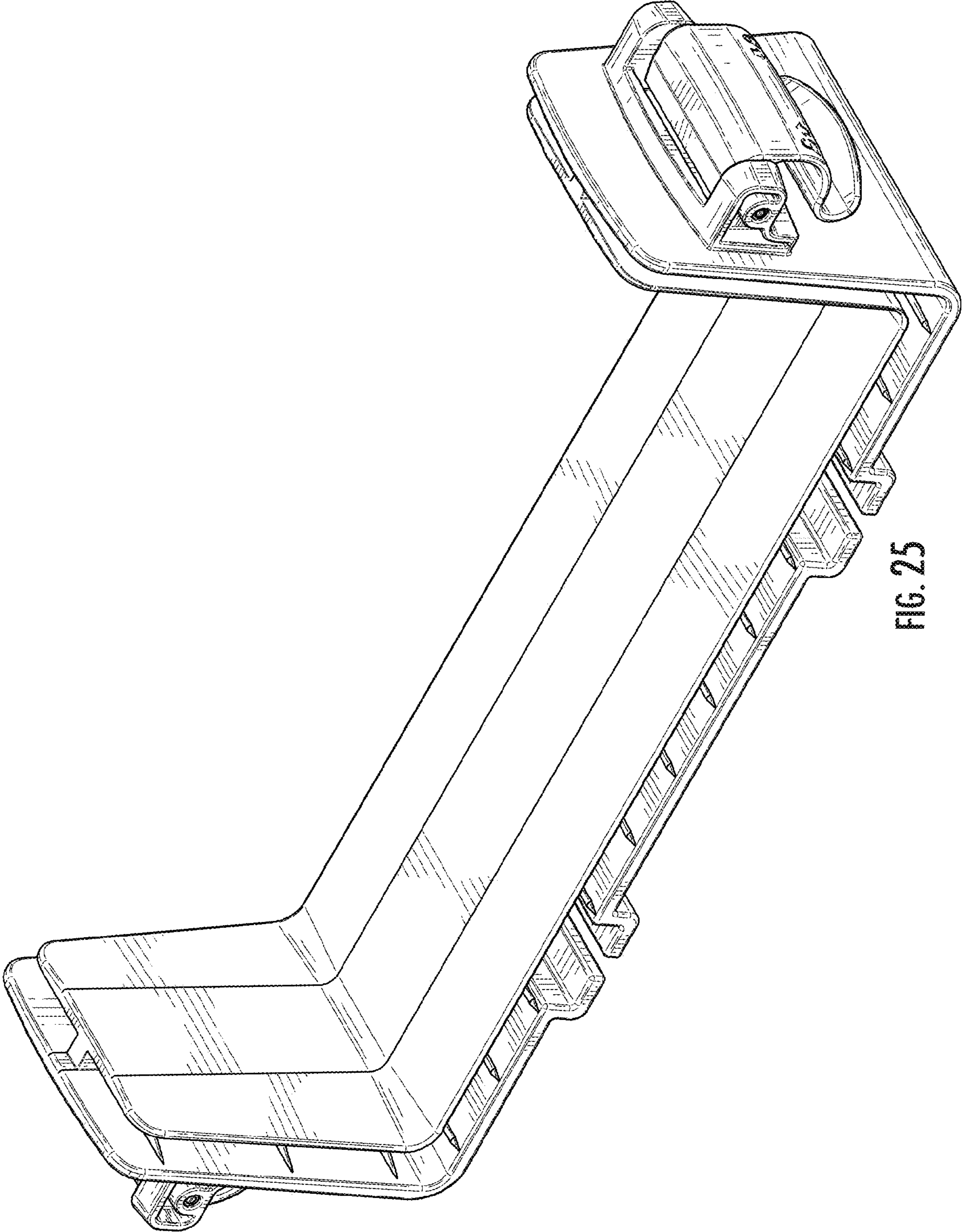


FIG. 25

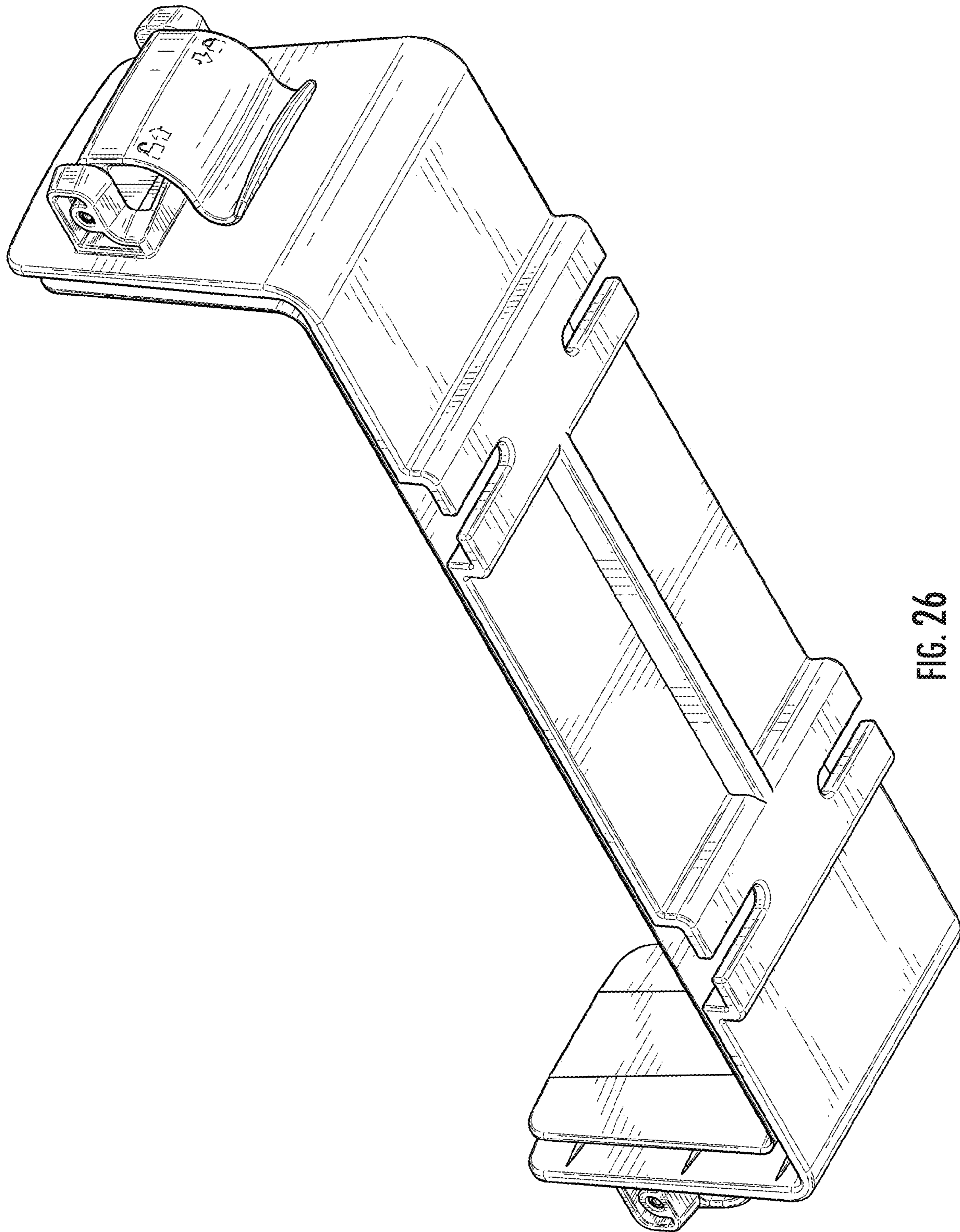


FIG. 26

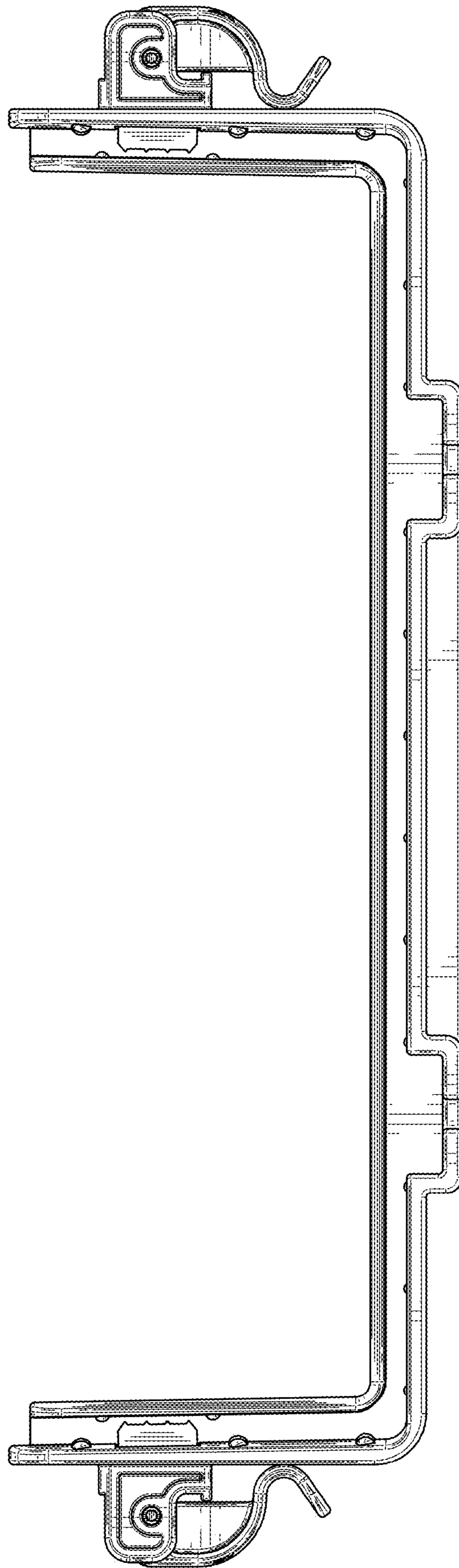


FIG. 27

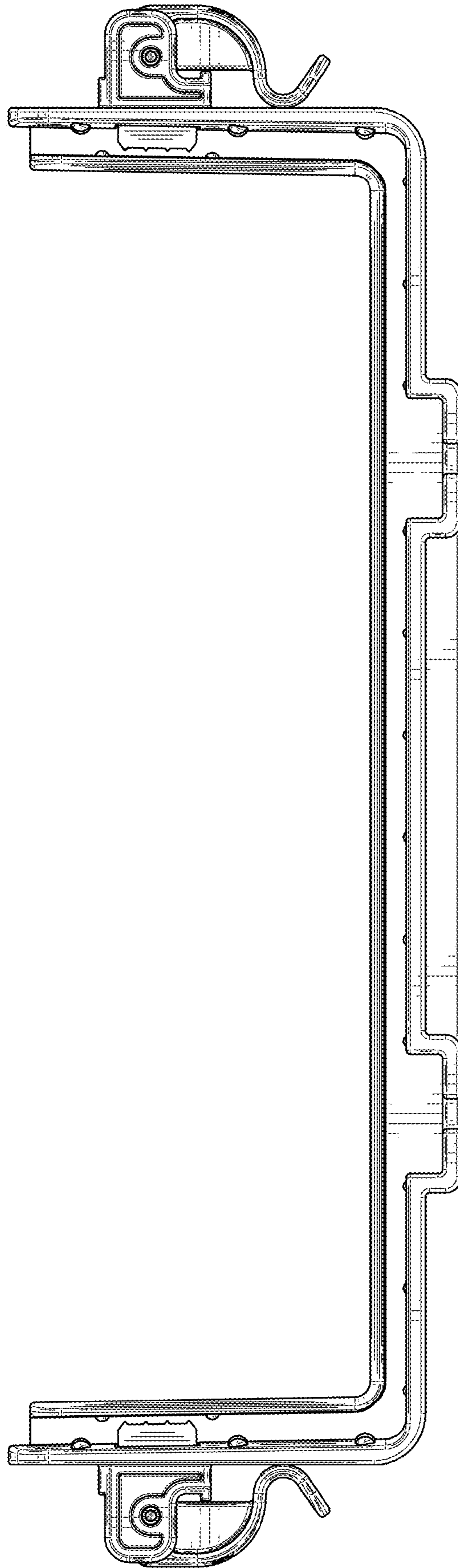


FIG. 28

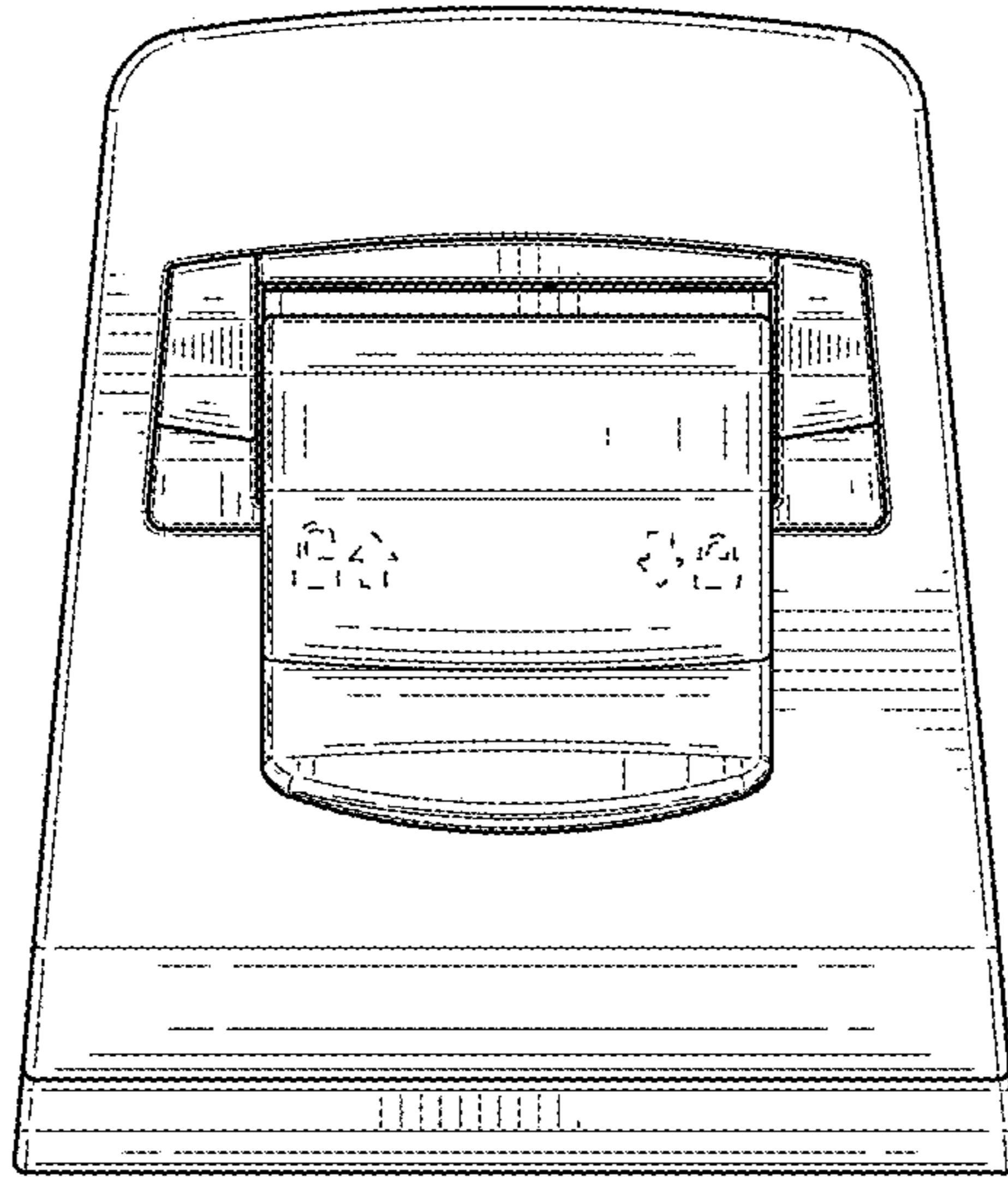


FIG. 29

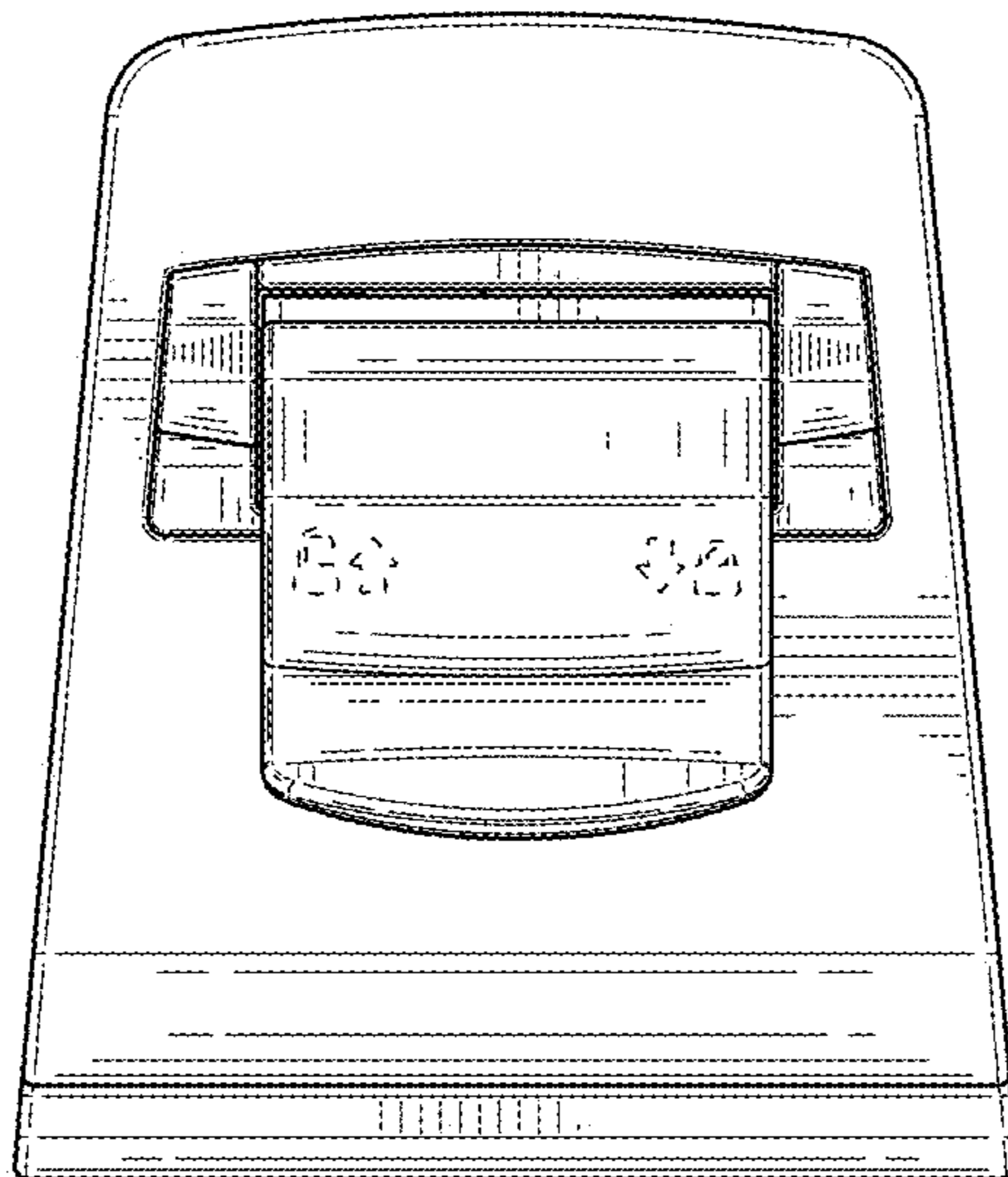


FIG. 30

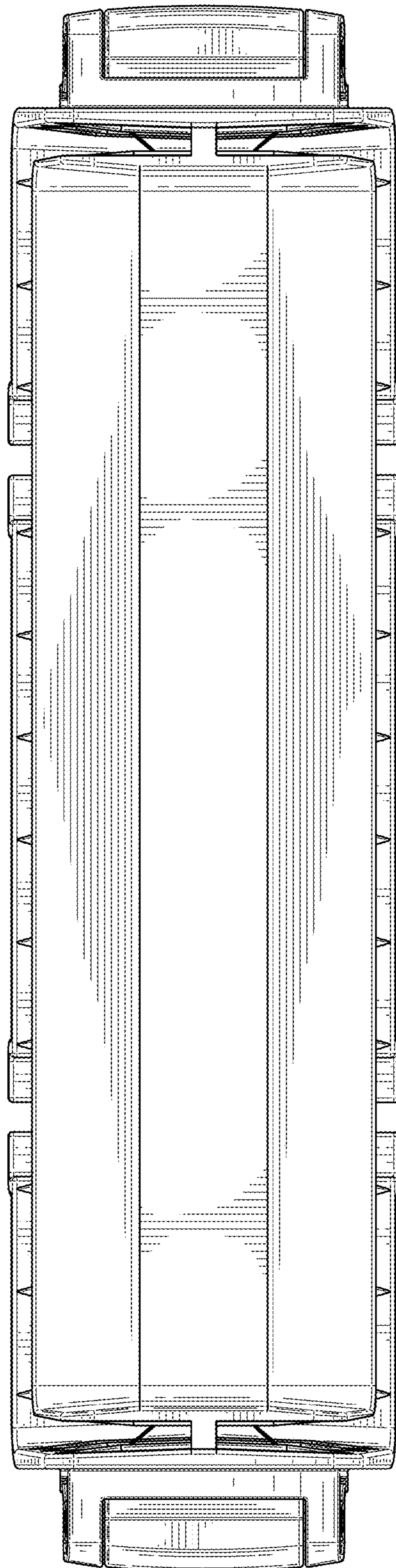


FIG. 31

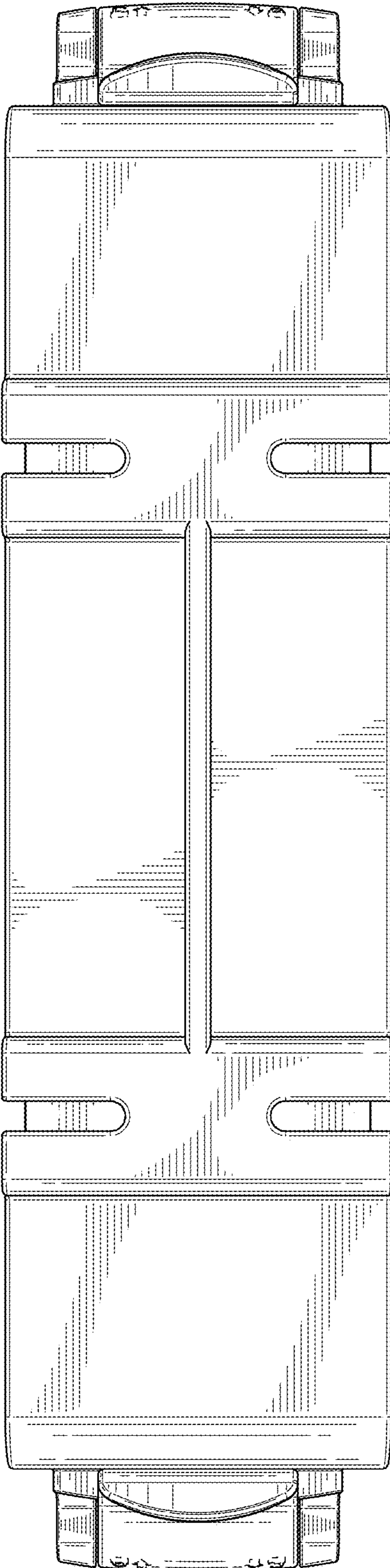


FIG. 32