



US00D954653S

(12) **United States Design Patent** (10) **Patent No.:** **US D954,653 S**
Byrne et al. (45) **Date of Patent:** **** Jun. 14, 2022**

(54) **ELECTRICAL POWER UNIT FOR A WORK SURFACE**

(71) Applicants: **Norman R. Byrne**, Ada, MI (US);
Daniel P. Byrne, Lowell, MI (US);
Shane Rogers, Rockford, MI (US)

(72) Inventors: **Norman R. Byrne**, Ada, MI (US);
Daniel P. Byrne, Lowell, MI (US);
Shane Rogers, Rockford, MI (US)

(**) Term: **15 Years**

(21) Appl. No.: **29/713,083**

(22) Filed: **Nov. 13, 2019**

(51) **LOC (13) Cl.** **13-03**

(52) **U.S. Cl.**
USPC **D13/139.4**

(58) **Field of Classification Search**
USPC D13/139.1–139.8, 147, 154, 108, 152,
D13/137.1–137.4
CPC . H01R 25/006; H01R 13/6675; G06F 1/1632;
H02G 3/086
See application file for complete search history.

(56) **References Cited**

U.S. PATENT DOCUMENTS

| | | | |
|--------------|---------|----------------|-----------|
| D78,966 S | 7/1929 | Conner | |
| D194,870 S * | 3/1963 | Hill | D13/139.4 |
| 4,453,059 A | 6/1984 | Fukushima | |
| D325,723 S | 4/1992 | Gary et al. | |
| D362,841 S | 10/1995 | Roza | |
| D389,459 S | 1/1998 | Byrne | |
| 5,705,772 A | 1/1998 | Brown | |
| D405,051 S | 2/1999 | Byrne | |
| D405,416 S | 2/1999 | Byrne | |
| 5,888,093 A | 3/1999 | Polgar et al. | |
| D409,980 S | 5/1999 | Byrne | |
| D418,815 S | 1/2000 | Byrne | |
| 6,024,599 A | 2/2000 | Stathis et al. | |
| 6,081,356 A | 6/2000 | Branc et al. | |

(Continued)

Primary Examiner — Rhea Shields

(74) *Attorney, Agent, or Firm* — Gardner, Linn, Burkhardt & Ondersma LLP

(57) **CLAIM**

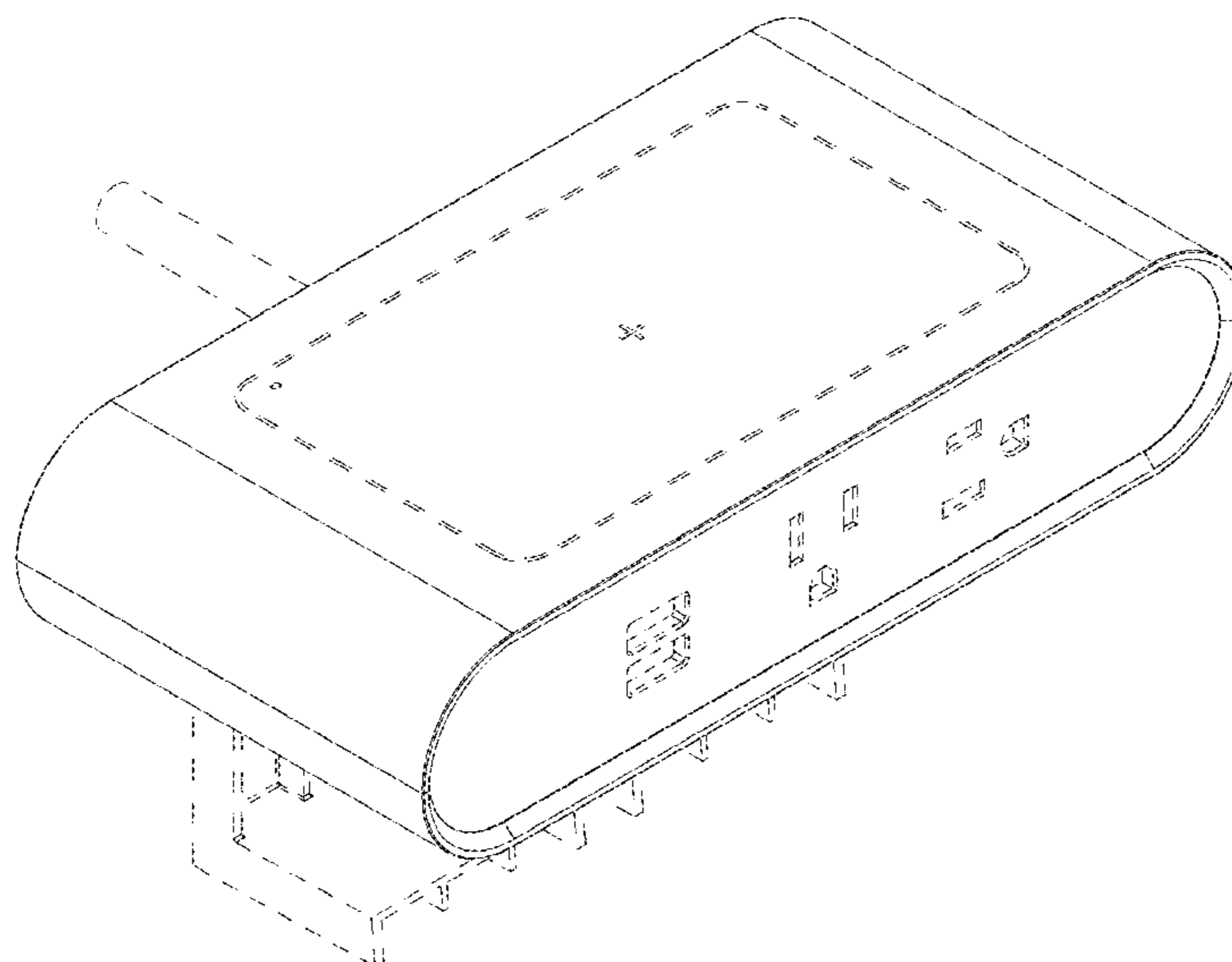
The ornamental design for an electrical power unit for a work surface, as shown and described.

DESCRIPTION

FIG. 1 is a top-left perspective view of an electrical power unit for a work surface showing our new design, viewed toward the front;
 FIG. 2 is another top-left perspective view thereof, viewed toward the rear;
 FIG. 3 is a bottom-right perspective view thereof, viewed toward the front;
 FIG. 4 is a front elevation thereof;
 FIG. 5 is a rear elevation thereof;
 FIG. 6 is a left side elevation thereof;
 FIG. 7 is a right side elevation thereof;
 FIG. 8 is a top plan view thereof;
 FIG. 9 is a bottom plan view thereof;
 FIG. 10 is a top-left perspective view of another electrical power unit for a work surface showing our new design, viewed toward the front;
 FIG. 11 is another top-left perspective view thereof, viewed toward the rear;
 FIG. 12 is a bottom-right perspective view thereof, viewed toward the front;
 FIG. 13 is a front elevation thereof;
 FIG. 14 is a rear elevation thereof;
 FIG. 15 is a left side elevation thereof;
 FIG. 16 is a right side elevation thereof;
 FIG. 17 is a top plan view thereof; and,
 FIG. 18 is a bottom plan view thereof.

The broken lines in the drawings are for the purpose of illustrating portions of the electrical power unit for a work surface that form no part of the claimed design.

1 Claim, 12 Drawing Sheets



(56)

References Cited

U.S. PATENT DOCUMENTS

| | | | | | | | |
|--------------|---------|--------------------|-----------|-------------------|---------|---------------------|---------------------------|
| D441,717 S * | 5/2001 | Echito | D13/139.1 | 9,559,472 B2 | 1/2017 | Chien | |
| 6,296,522 B1 | 10/2001 | Ho | | D779,435 S | 2/2017 | Callahan et al. | |
| 6,307,152 B1 | 10/2001 | Bonilla et al. | | D788,046 S | 5/2017 | Oksengendler et al. | |
| 6,327,129 B1 | 12/2001 | Oertel et al. | | D794,578 S | 8/2017 | Oksengendler et al. | |
| 6,492,591 B1 | 12/2002 | Metcalf | | D798,238 S * | 9/2017 | Grossinger | D13/139.1 |
| D506,441 S * | 6/2005 | Lichtscheidl | D13/139.1 | D812,024 S | 3/2018 | Lewis et al. | |
| 6,923,684 B2 | 8/2005 | Strayer | | D816,037 S | 4/2018 | Byrne et al. | |
| D514,518 S | 2/2006 | Strayer | | D826,873 S | 8/2018 | Shim et al. | |
| 7,053,296 B2 | 5/2006 | Drane et al. | | D840,347 S | 2/2019 | Byrne et al. | |
| D534,495 S | 1/2007 | Gershfeld | | D867,297 S * | 11/2019 | Lu | D13/139.1 |
| D537,039 S | 2/2007 | Pincek | | D874,403 S * | 2/2020 | Canizares | D13/137.2 |
| D553,306 S | 10/2007 | Hansen | | D874,404 S | 2/2020 | Byrne et al. | |
| 7,605,330 B1 | 10/2009 | Black et al. | | D877,091 S | 3/2020 | Rath et al. | |
| D610,435 S | 2/2010 | Schwartz | | D880,432 S | 4/2020 | Tang | |
| 7,806,723 B2 | 10/2010 | Chong et al. | | D900,035 S | 10/2020 | Byrne et al. | |
| 8,021,185 B1 | 9/2011 | Mortum | | D902,864 S * | 11/2020 | Turksu | D13/137.1 |
| D647,853 S | 11/2011 | Kan | | D905,644 S | 12/2020 | Byrne et al. | |
| D653,215 S | 1/2012 | Lam | | D911,970 S * | 3/2021 | Grisack | D13/139.1 |
| D673,912 S | 1/2013 | Benedetti | | D928,093 S | 8/2021 | Byrne et al. | |
| D682,212 S | 5/2013 | Udagawa et al. | | D937,216 S * | 11/2021 | Tao | D13/139.1 |
| D685,741 S | 7/2013 | Byrne et al. | | D939,445 S * | 12/2021 | Hsu | D13/137.1 |
| D689,825 S | 9/2013 | Wenji et al. | | 2003/0019258 A1 | 1/2003 | Irgens et al. | |
| D690,648 S | 10/2013 | Ireland et al. | | 2006/0258195 A1 | 11/2006 | Schwartz et al. | |
| D714,726 S | 10/2014 | Byrne et al. | | 2007/0275594 A1 | 11/2007 | Greenberg | |
| D720,305 S | 12/2014 | Wenji | | 2011/0057576 A1 | 3/2011 | Otake et al. | |
| D731,431 S * | 6/2015 | Lum | D13/139.1 | 2011/0108403 A1 | 5/2011 | Kukita | |
| D736,159 S | 8/2015 | Byrne et al. | | 2013/0210252 A1 | 8/2013 | Ilyes | |
| 9,124,056 B1 | 9/2015 | Lewis, Jr. | | 2015/0331452 A1 * | 11/2015 | Byrne | G06F 1/1632 361/679.44 |
| 9,219,341 B1 | 12/2015 | O'Keefe et al. | | 2020/0388972 A1 * | 12/2020 | Byrne | H01R 13/6675 |
| D752,517 S | 3/2016 | Scott et al. | | 2021/0135390 A1 * | 5/2021 | Byrne | H02G 3/086 |
| | | | | 2021/0281029 A1 * | 9/2021 | Byrne | H01R 25/006 |

* cited by examiner

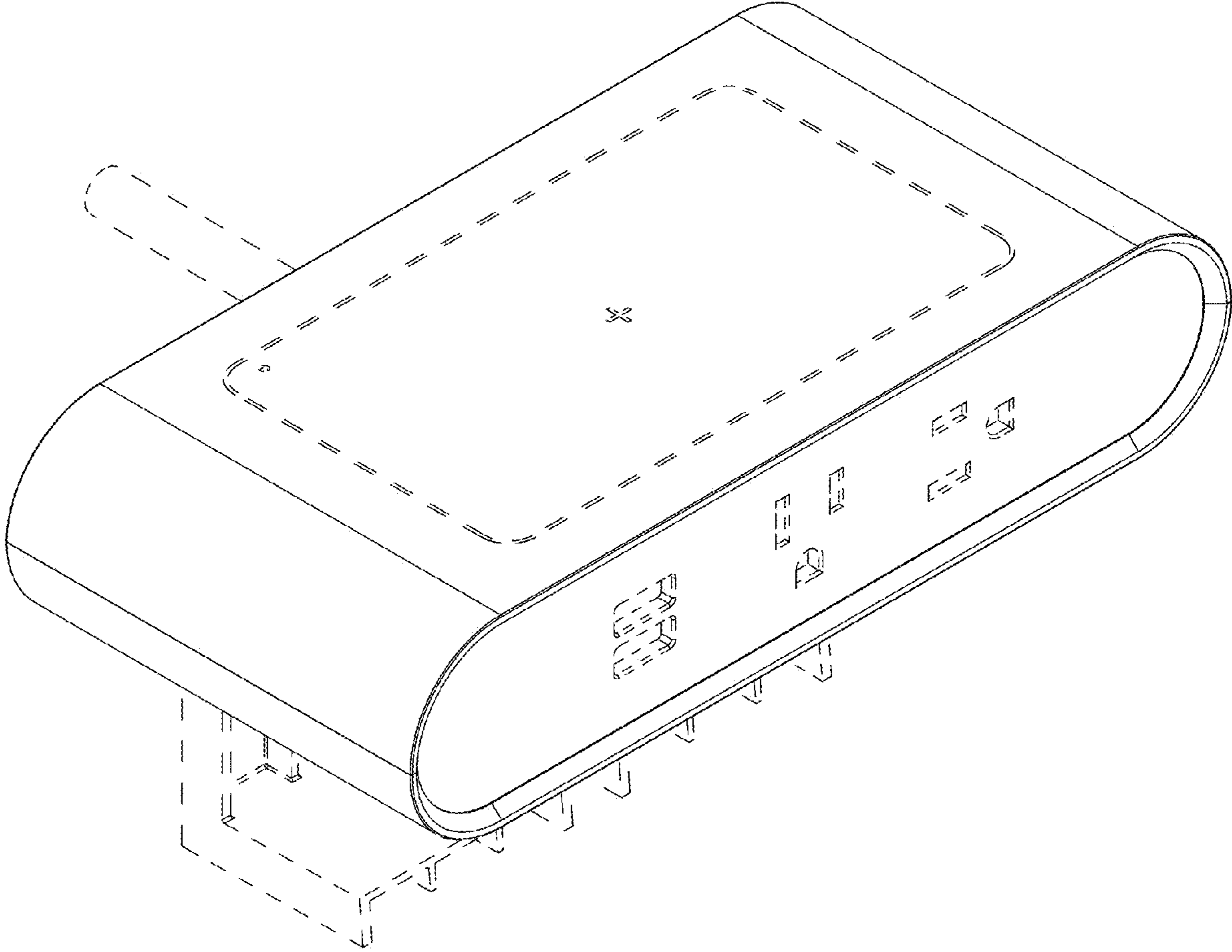


FIG. 1

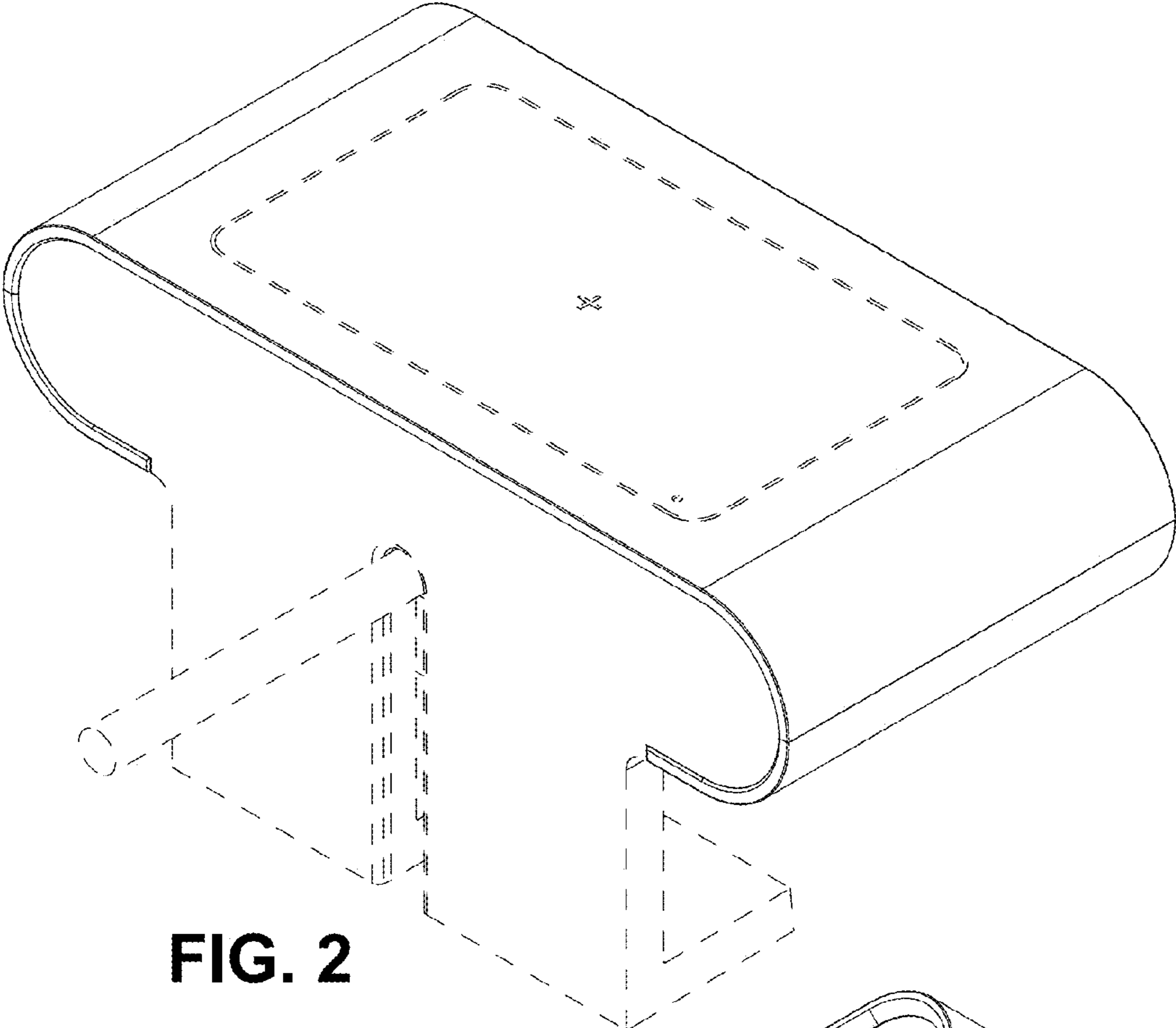


FIG. 2

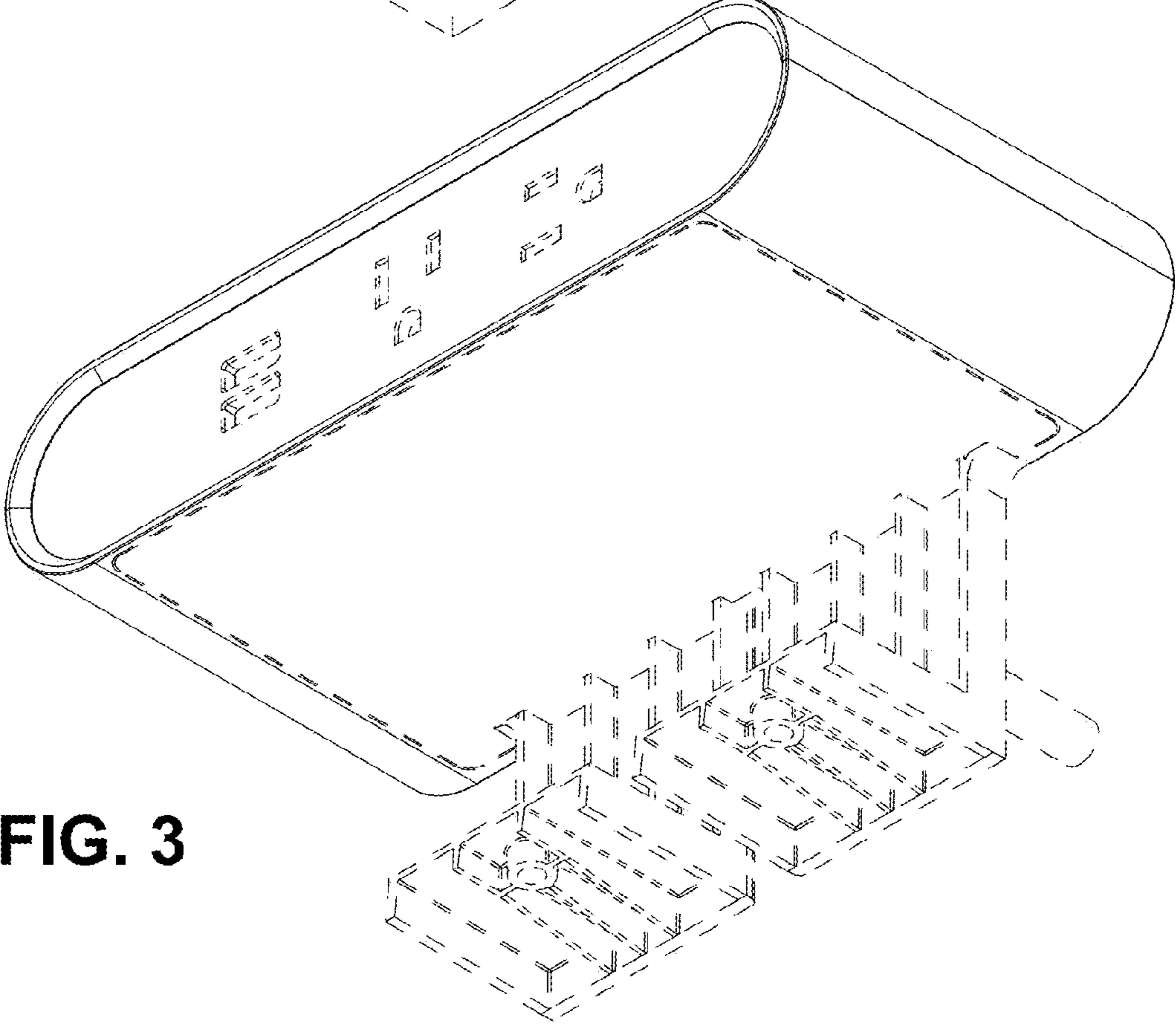


FIG. 3

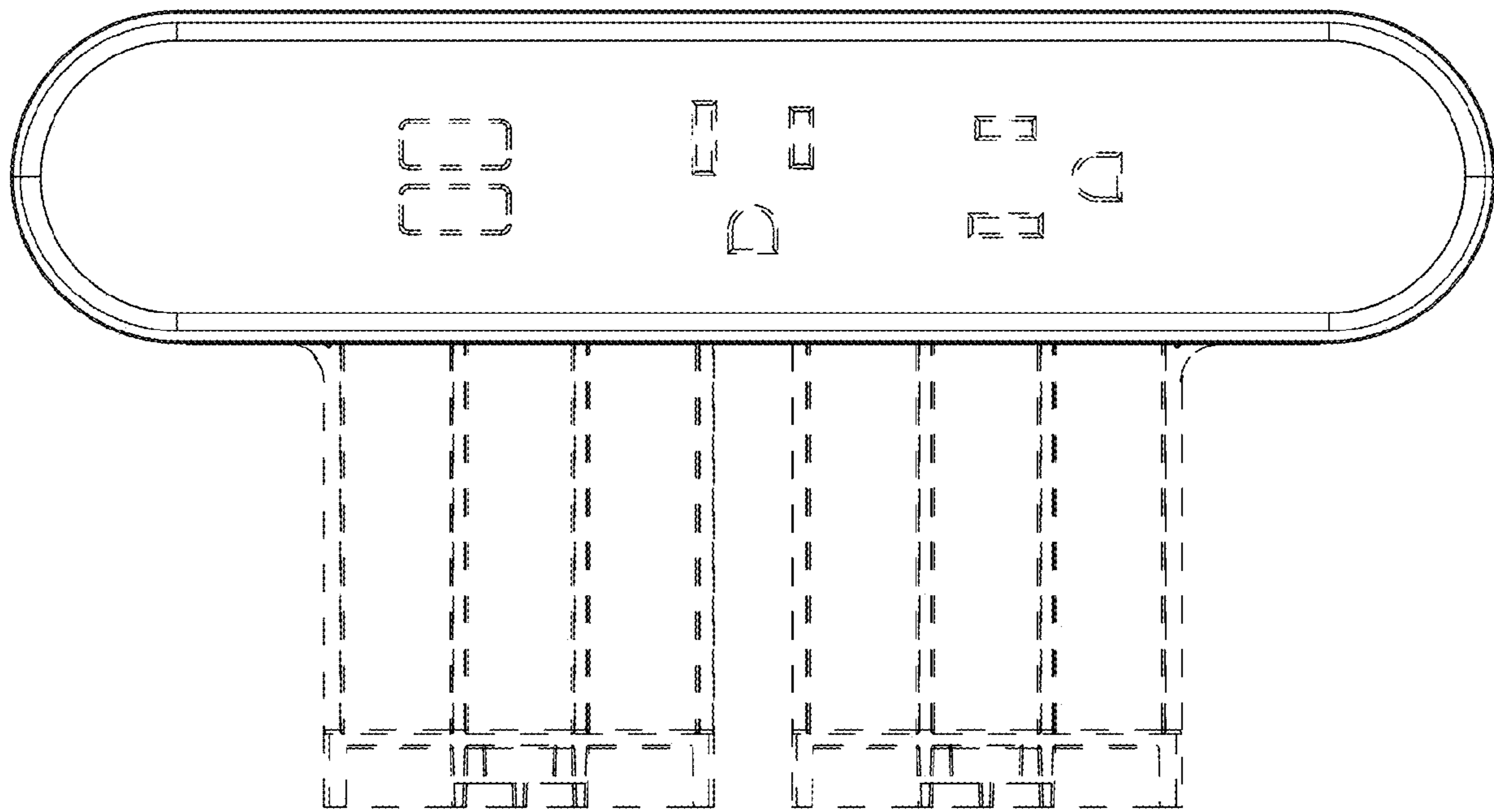


FIG. 4

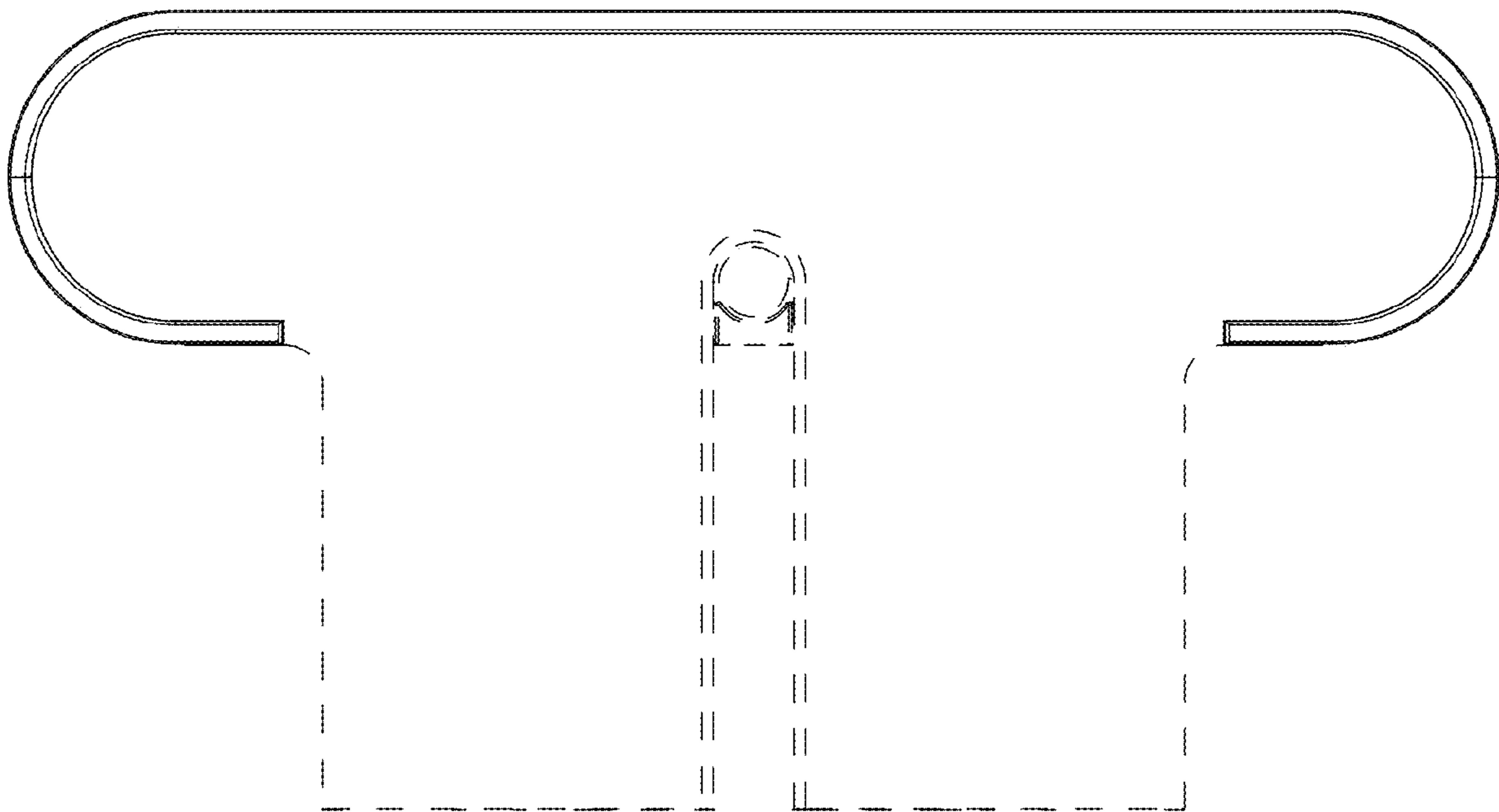


FIG. 5

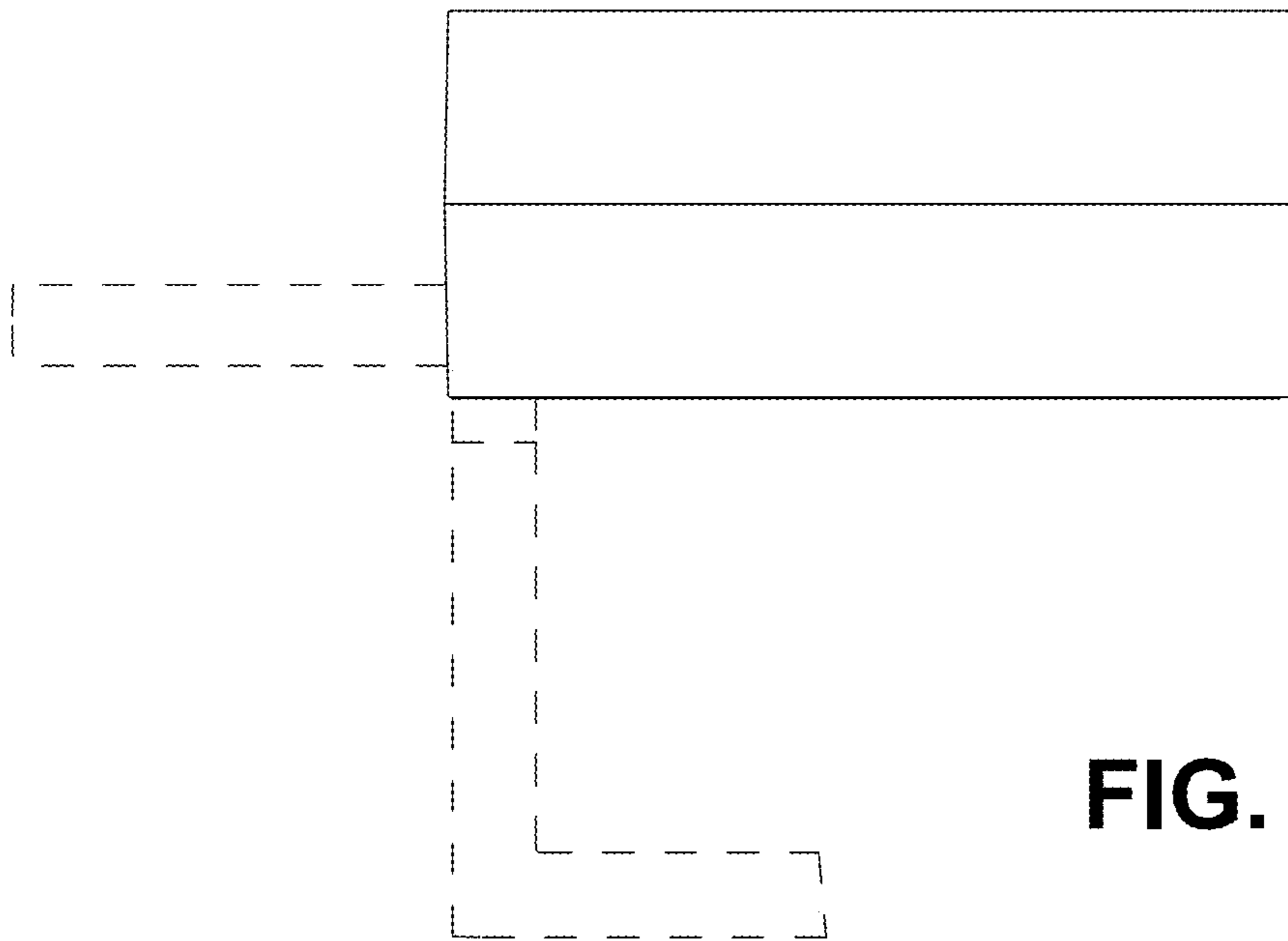


FIG. 6

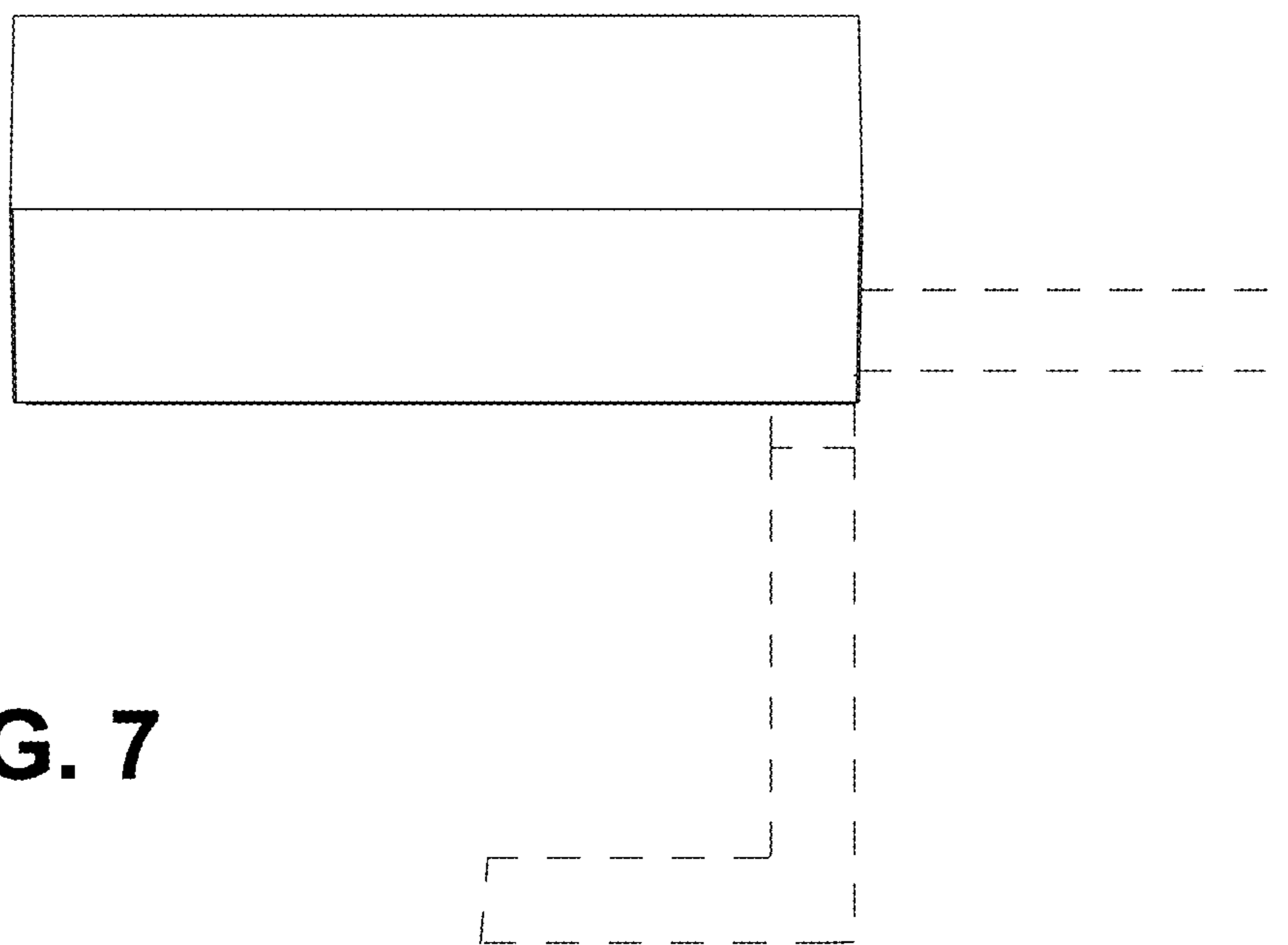
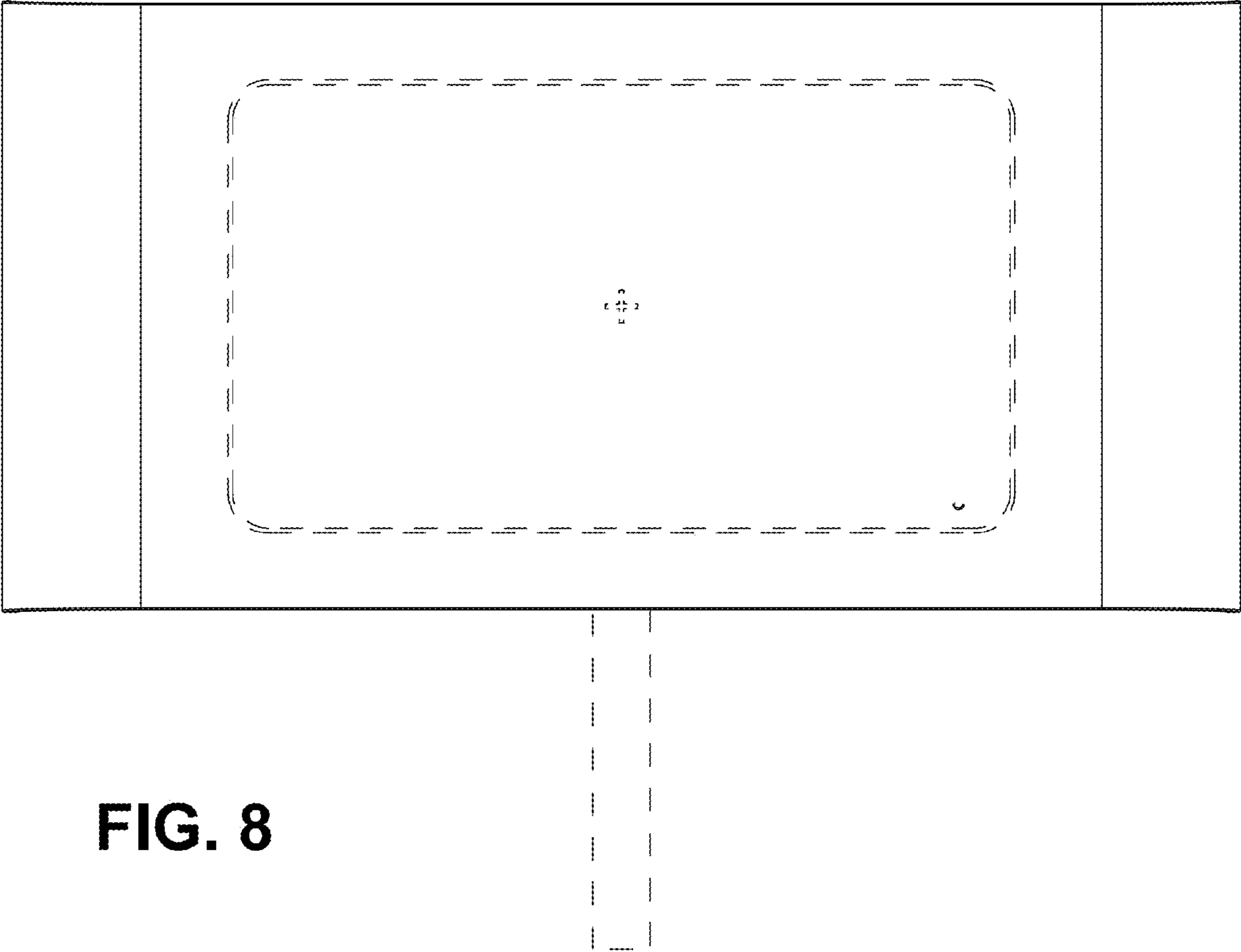


FIG. 7



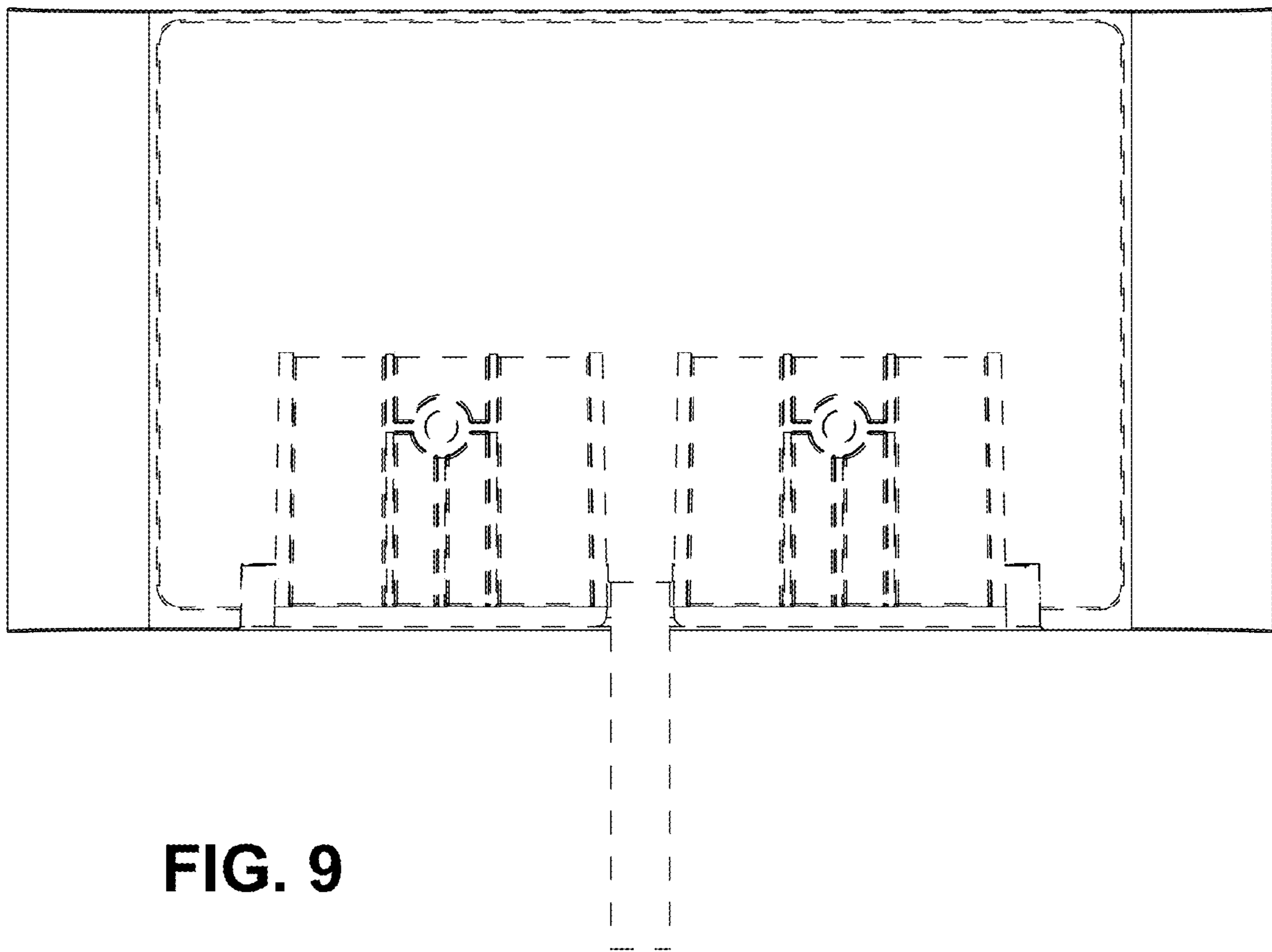


FIG. 9

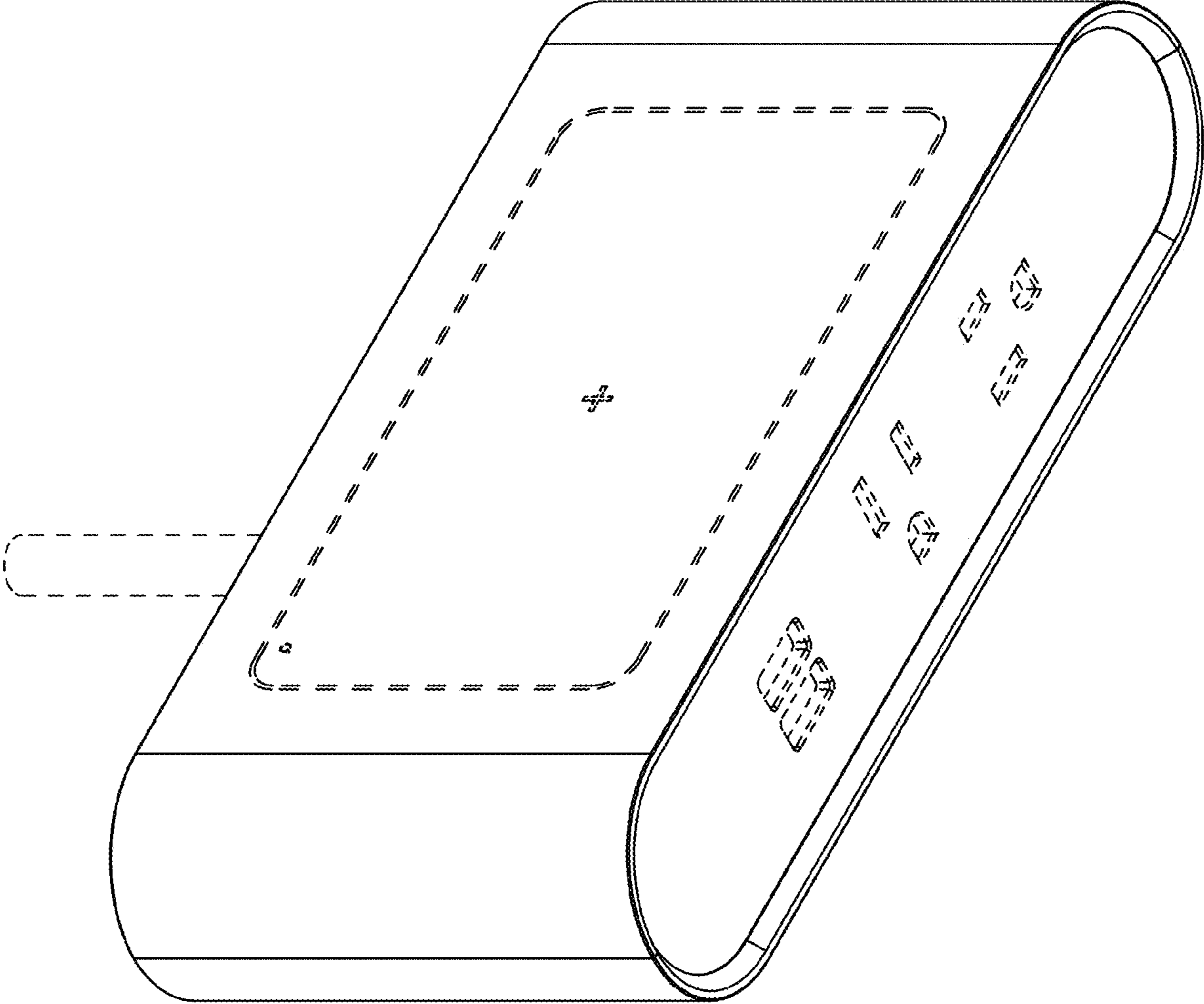


FIG. 10

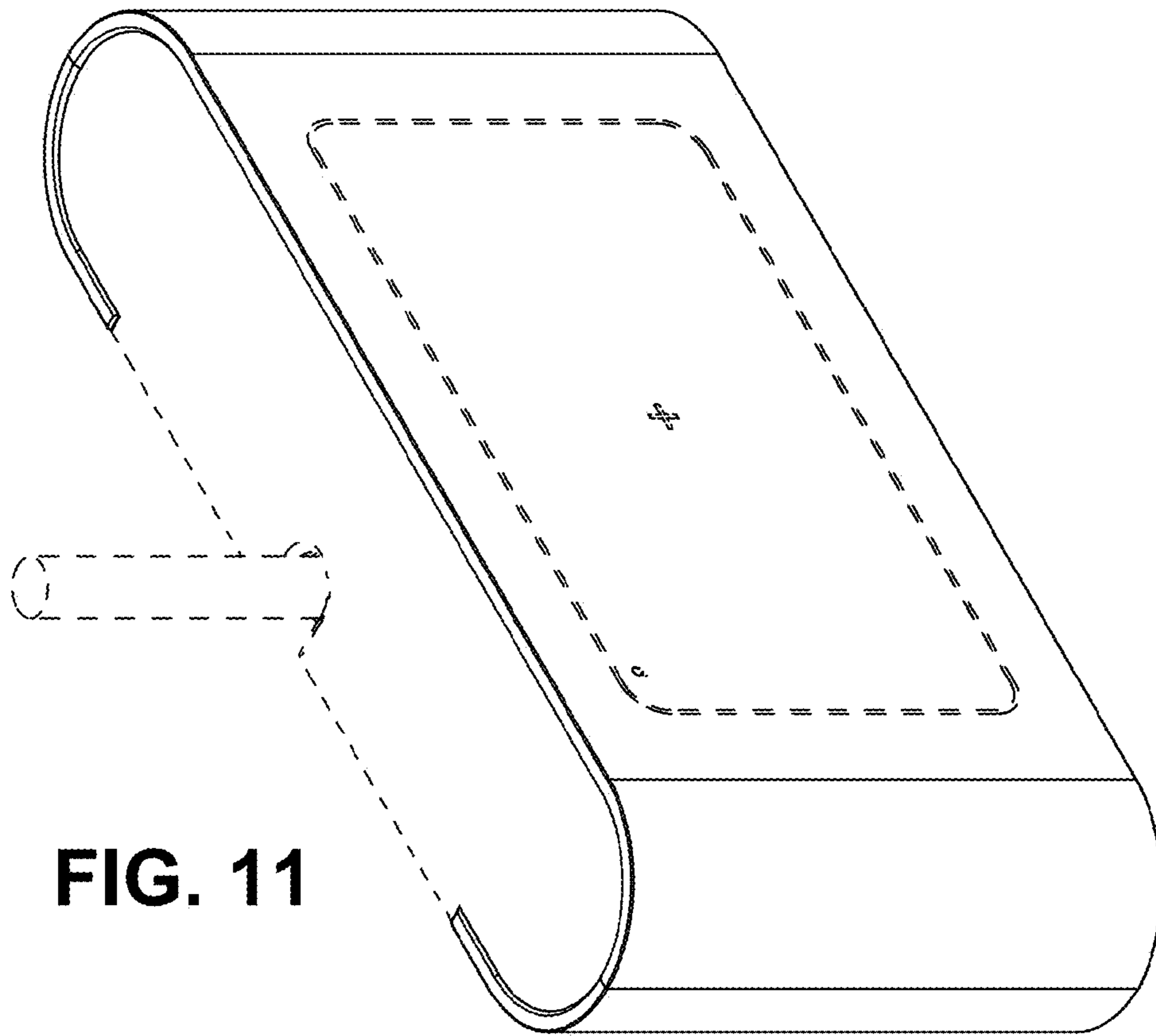


FIG. 11

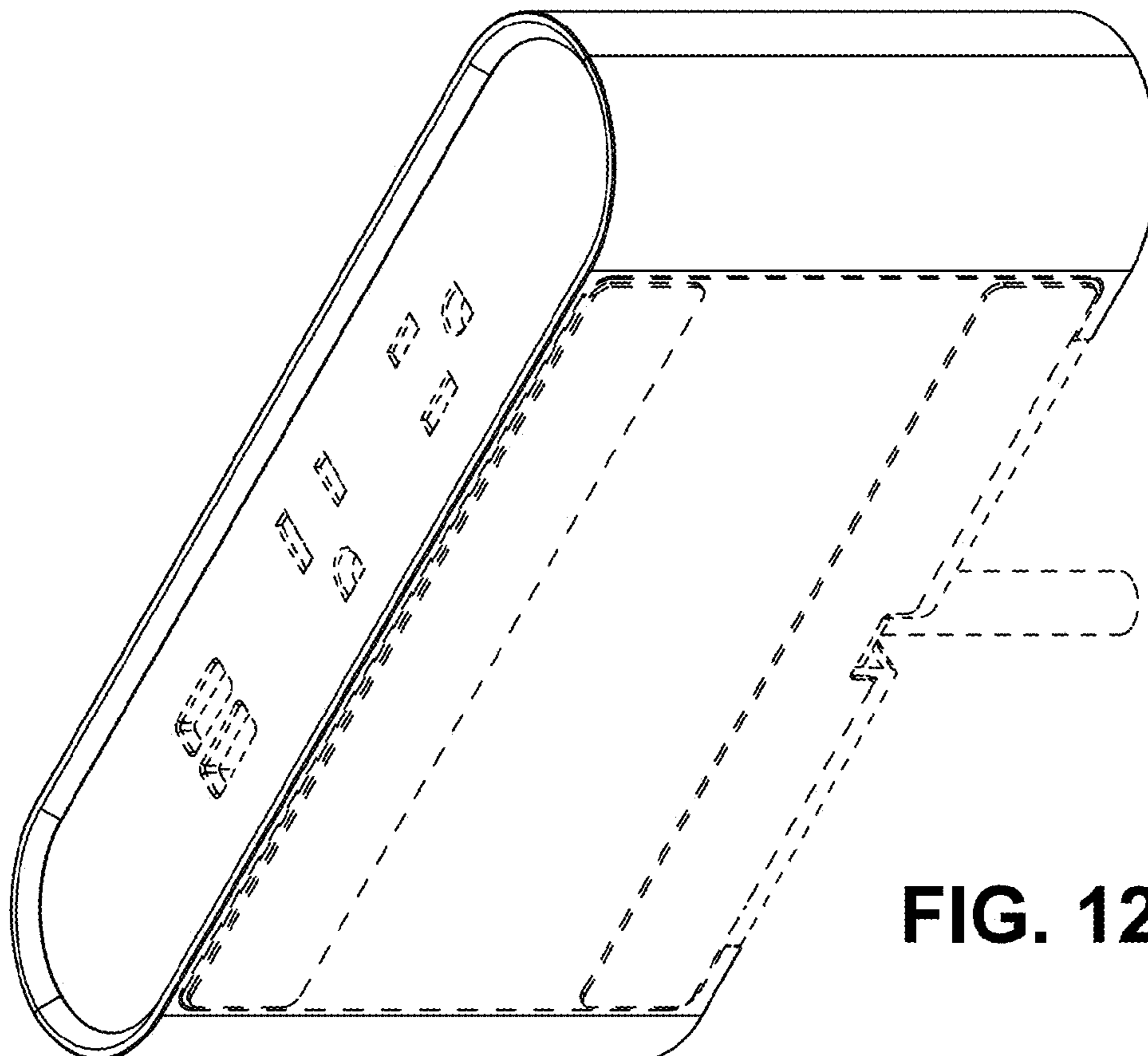


FIG. 12

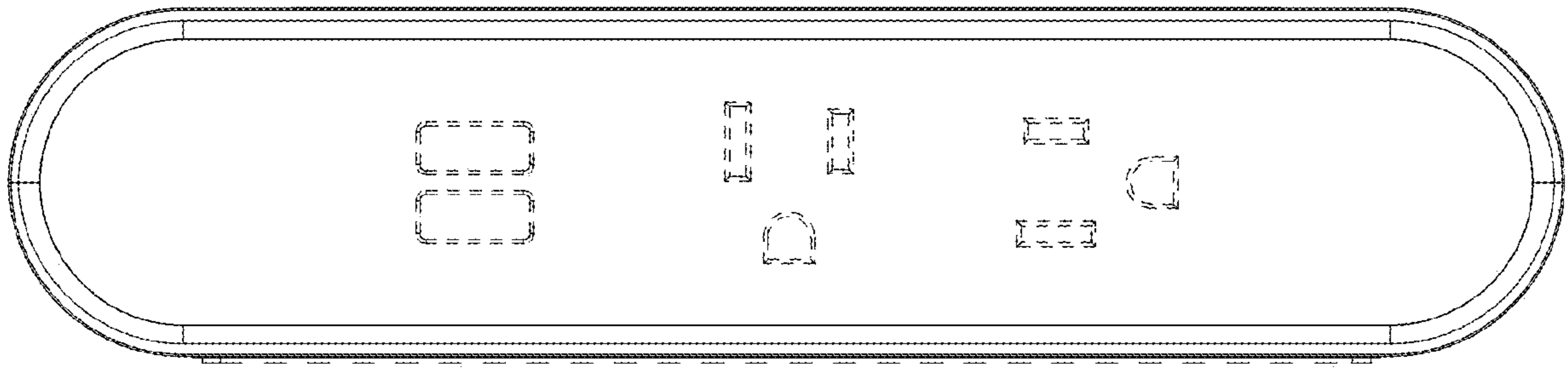


FIG. 13

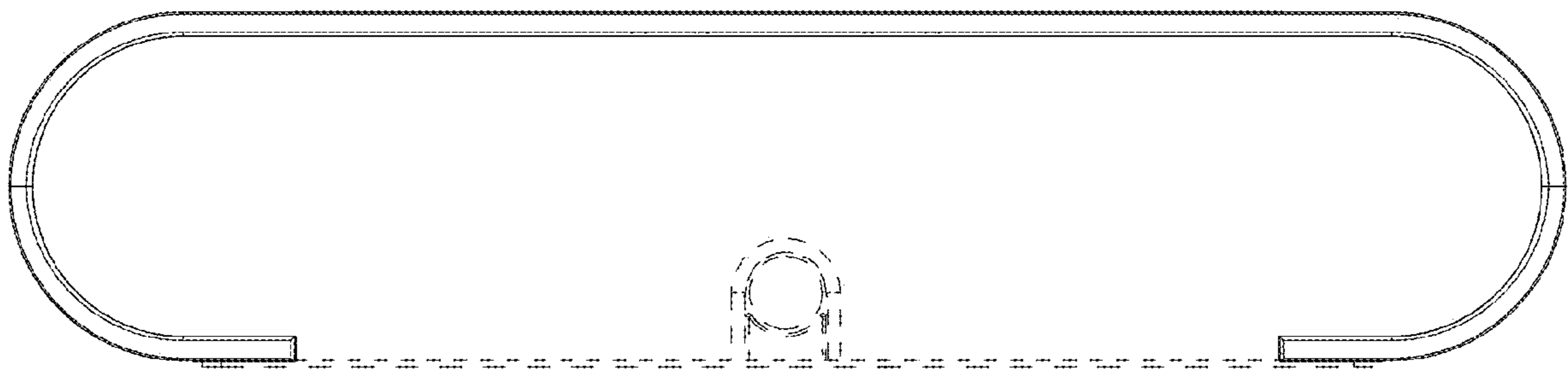


FIG. 14

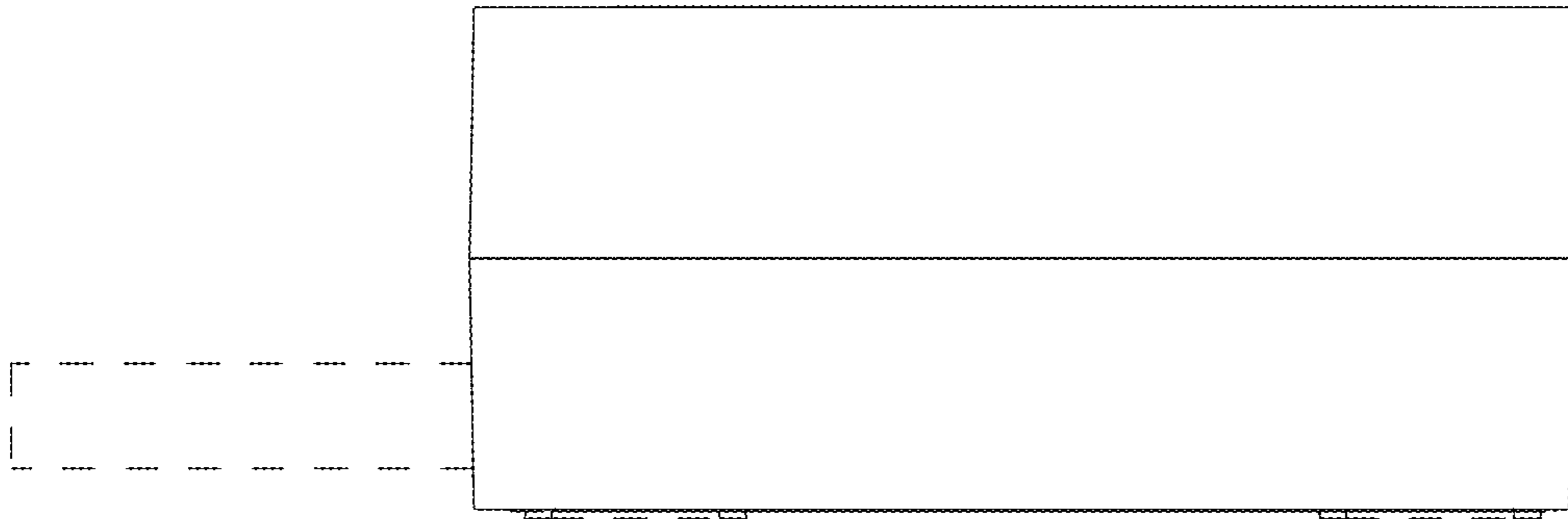


FIG. 15

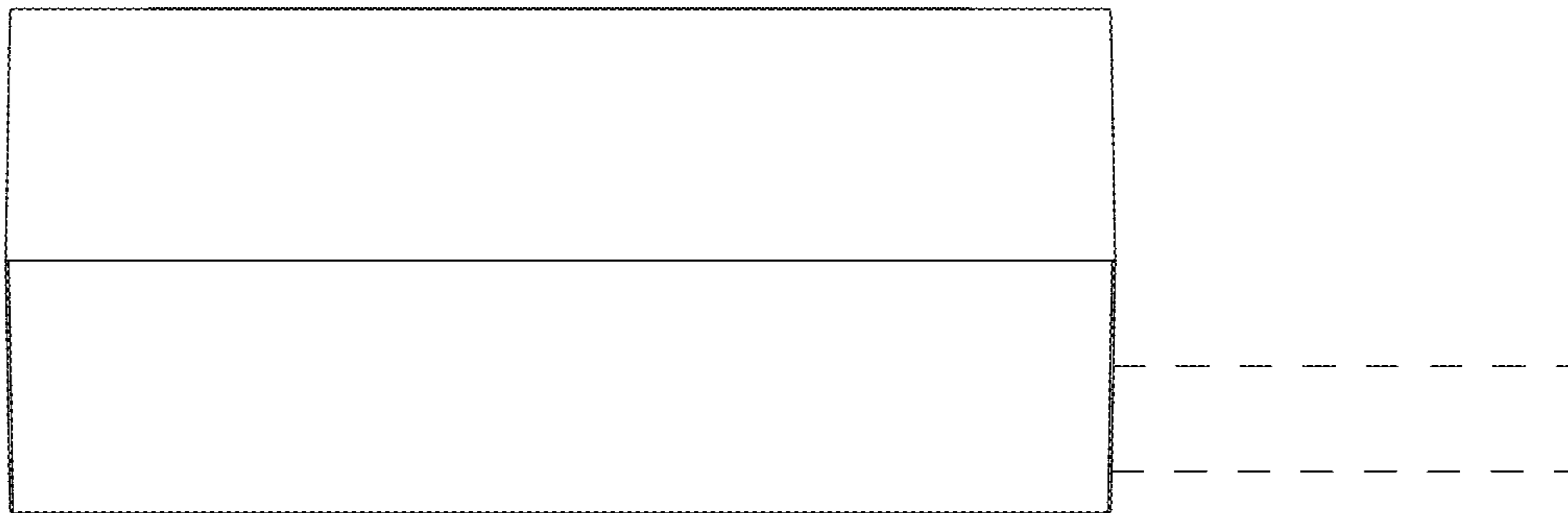


FIG. 16

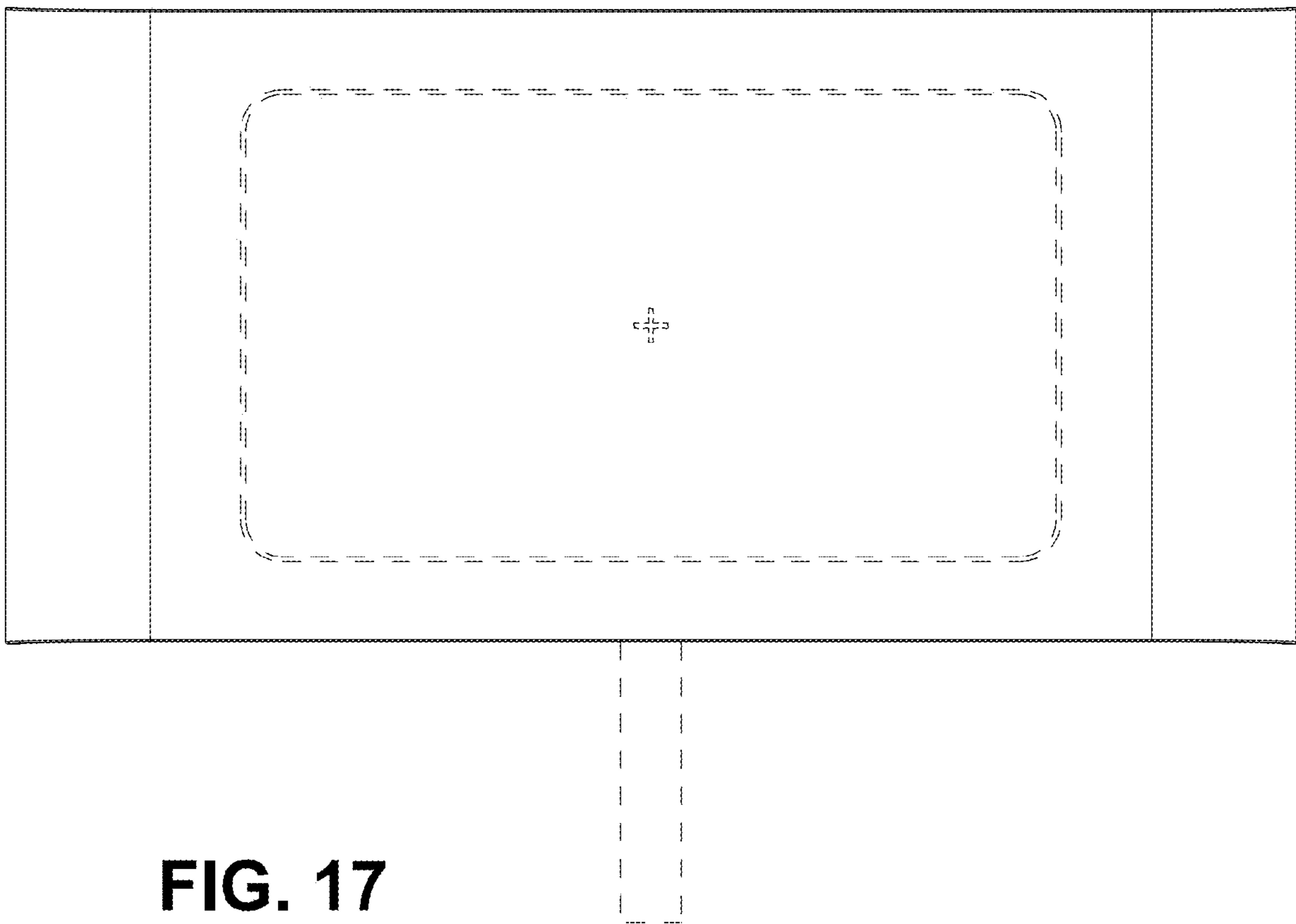


FIG. 17

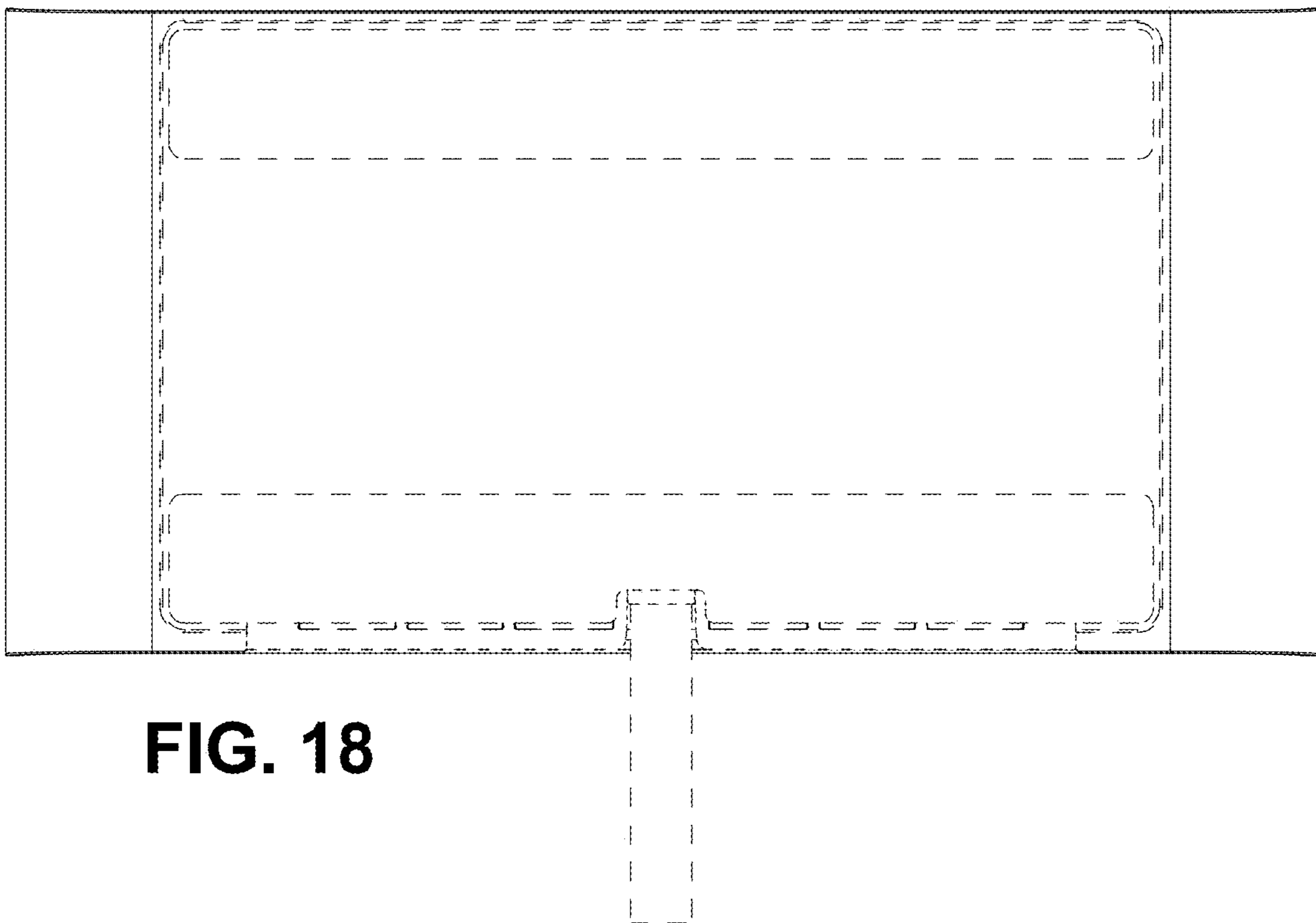


FIG. 18