



US00D954647S

(12) **United States Design Patent**  
**Yin**

(10) **Patent No.:** **US D954,647 S**  
(45) **Date of Patent:** **\*\* Jun. 14, 2022**

(54) **POWER SUPPLY**

D918,139 S \* 5/2021 Helgesen ..... D13/110  
D936,581 S \* 11/2021 Chao ..... D13/110  
D942,398 S \* 2/2022 Yang ..... D13/139.6

(71) Applicant: **SHENZHEN ANGNUI TECHNOLOGY CO., LTD.**, Shenzhen (CN)

(72) Inventor: **Chengwei Yin**, Zhoukou (CN)

(73) Assignee: **SHENZHEN ANGNUI TECHNOLOGY CO., LTD.**, Shenzhen (CN)

(\*\*) Term: **15 Years**

(21) Appl. No.: **29/764,384**

(22) Filed: **Dec. 30, 2020**

(51) **LOC (13) Cl.** ..... **13-02**

(52) **U.S. Cl.**  
USPC ..... **D13/110**

(58) **Field of Classification Search**  
USPC ..... D13/103, 104, 107, 110, 112, 119, 120, D13/133, 156  
CPC ..... H01R 13/641; H02B 1/20; H01M 2/1022; H01M 2/1027; H01M 2/1072; H01M 2/105; H01M 2/1077  
See application file for complete search history.

(56) **References Cited**

**U.S. PATENT DOCUMENTS**

D742,313 S	*	11/2015	Gao	.....	D13/110
D769,820 S	*	10/2016	Rucareanu	.....	D13/110
D798,234 S	*	9/2017	Bryant	.....	D13/110
D828,953 S	*	9/2018	Chen	.....	D27/167
D875,044 S	*	2/2020	Chen	.....	D13/110
D875,680 S	*	2/2020	Chou	.....	D13/110
D883,927 S	*	5/2020	Chan	.....	D13/110
D886,077 S	*	6/2020	Chen	.....	D14/205
D897,289 S	*	9/2020	Busl	.....	D13/110
D909,970 S	*	2/2021	Jokinen	.....	D13/110

**OTHER PUBLICATIONS**

Power Supplies. (Design—© Questel) orbit.com. [Online PDF compilation of references] 67 pgs. Print Dates Range Nov. 12, 2020-Sep. 2, 2021 [Retrieved Feb. 28, 2022].\*  
HP Server Power Supply. Dec. 17, 2012. Amazon. <https://www.amazon.com/HP-DL180-G5-Server-Power-Supply/dp/B004MU2E44>.\*  
Dell PowerEdge 2950 Server Power Supply. Oct. 20, 2012. Amazon. <https://www.amazon.com/PowerEdge-Server-Power-Supply-7001072-Y000/dp/B009TZRDAC>.\*  
Supermicro PWS Multi Output Power Supply. Nov. 2017. Super Micro, <https://store.supermicro.com/260w-1u-pws-0055.html>.\*

\* cited by examiner

*Primary Examiner* — Manpreet S Matharu

*Assistant Examiner* — Suzanne E Tisdell

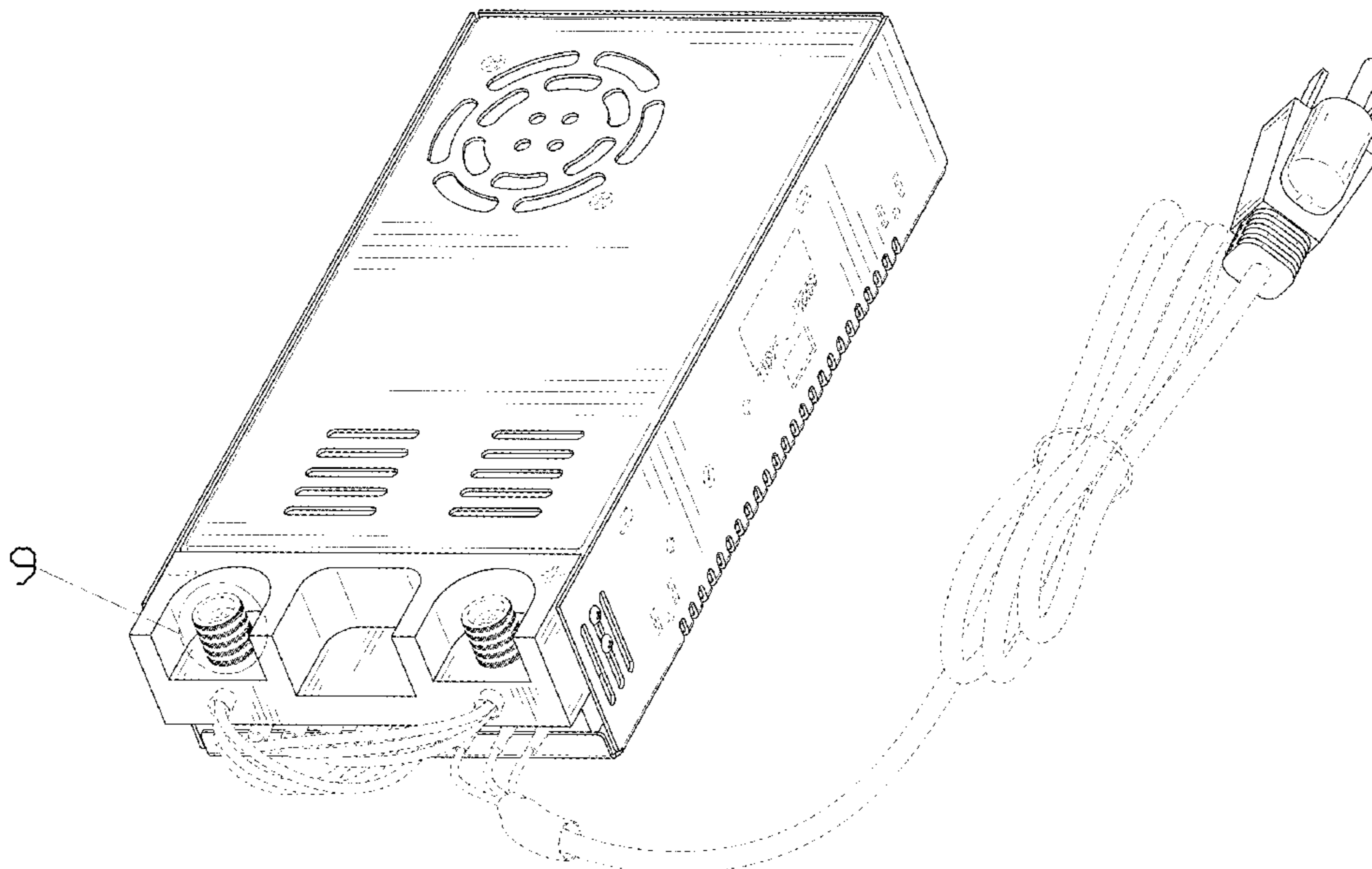
(57) **CLAIM**

The ornamental design for a power supply, as shown and described.

**DESCRIPTION**

FIG. 1 is a perspective view of a power supply showing my new design;  
FIG. 2 is another perspective view thereof;  
FIG. 3 is a front elevational view thereof;  
FIG. 4 is a rear elevational view thereof;  
FIG. 5 is a left side elevational view thereof;  
FIG. 6 is a right side elevational view thereof;  
FIG. 7 is a top plan view thereof;  
FIG. 8 is a bottom plan view thereof; and,  
FIG. 9 is an enlarged view of portion 9 shown in FIG. 1.  
The broken lines in the drawings depict portions of the power supply that form no part of the claimed design.

**1 Claim, 9 Drawing Sheets**



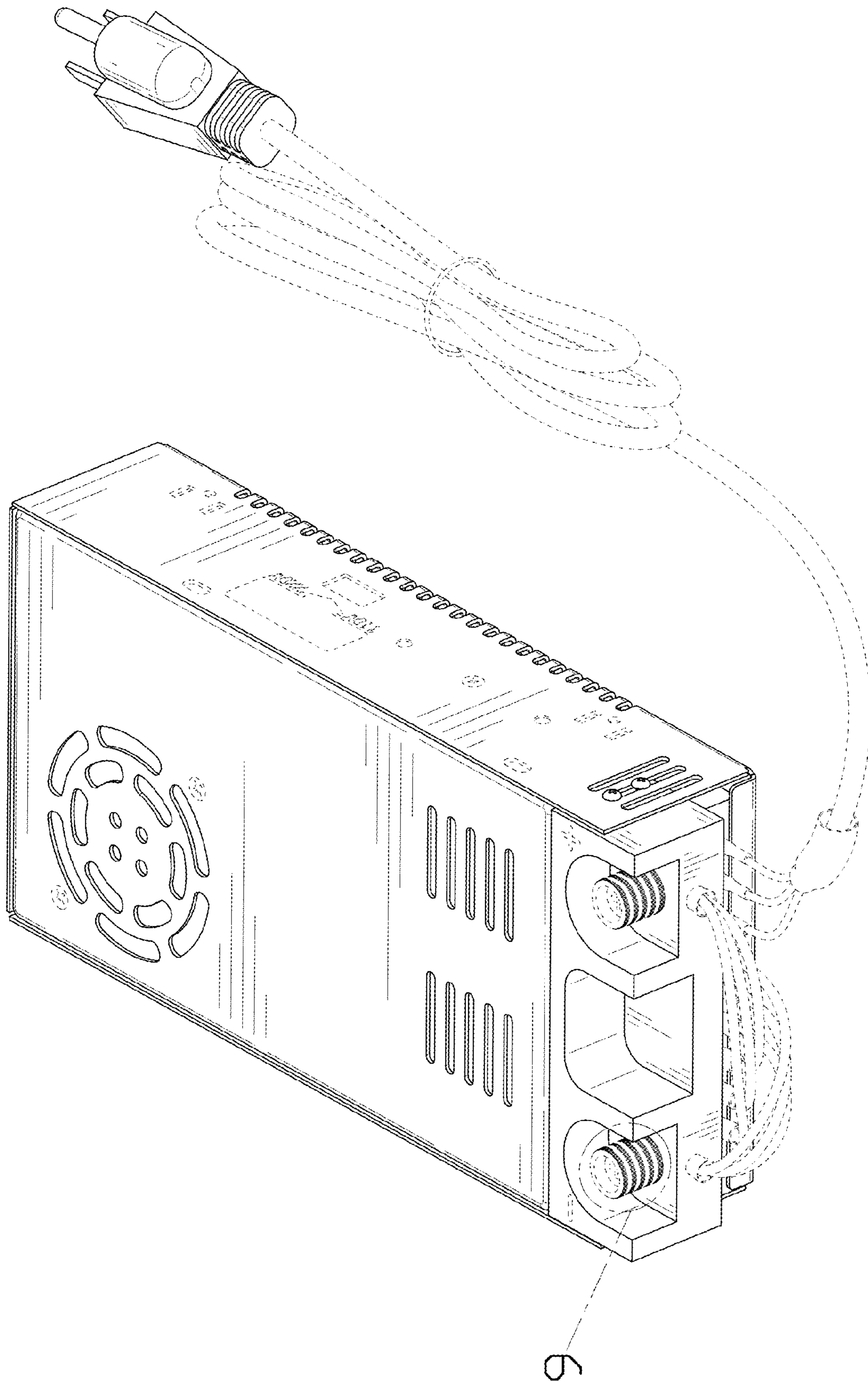


FIG. 1

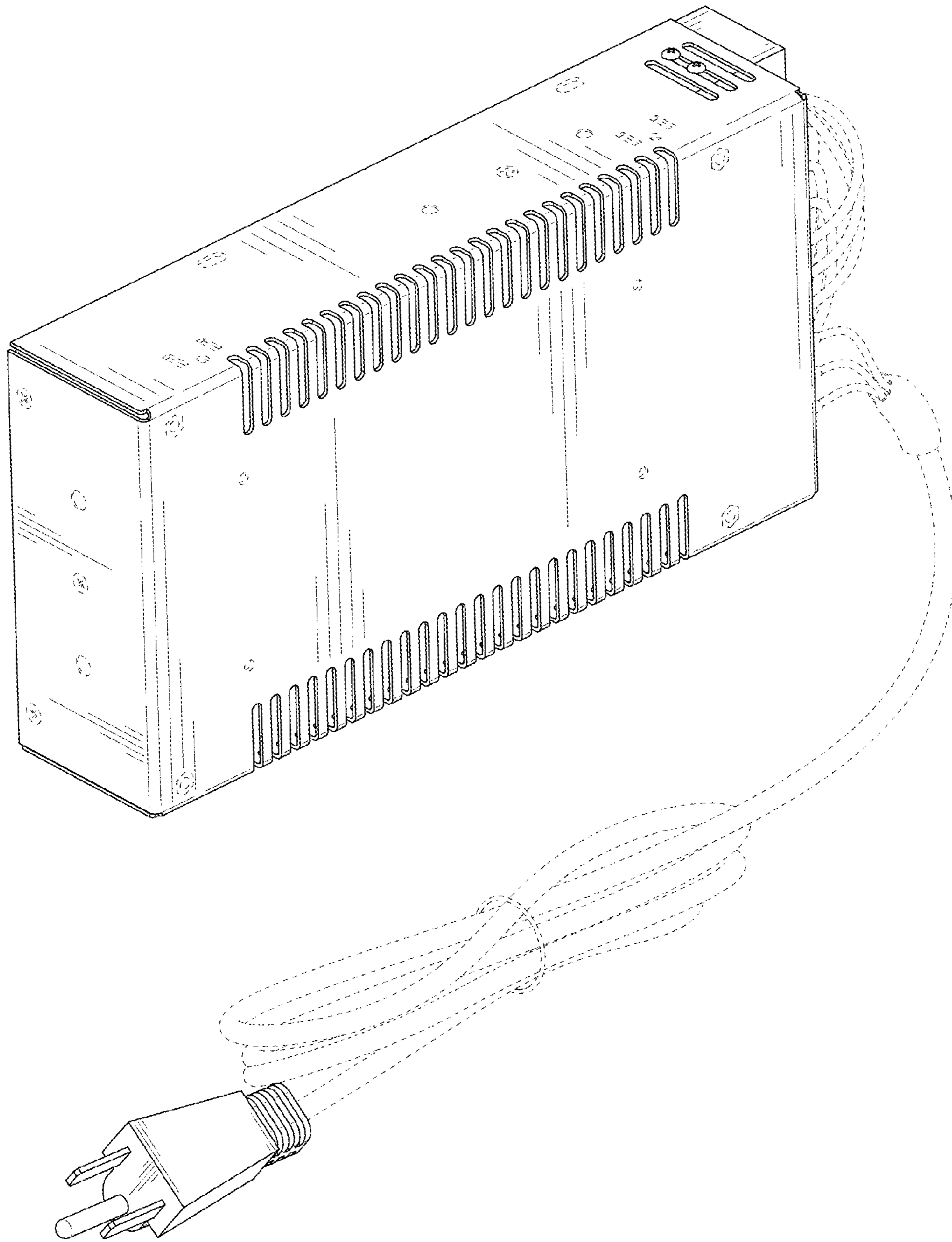


FIG. 2

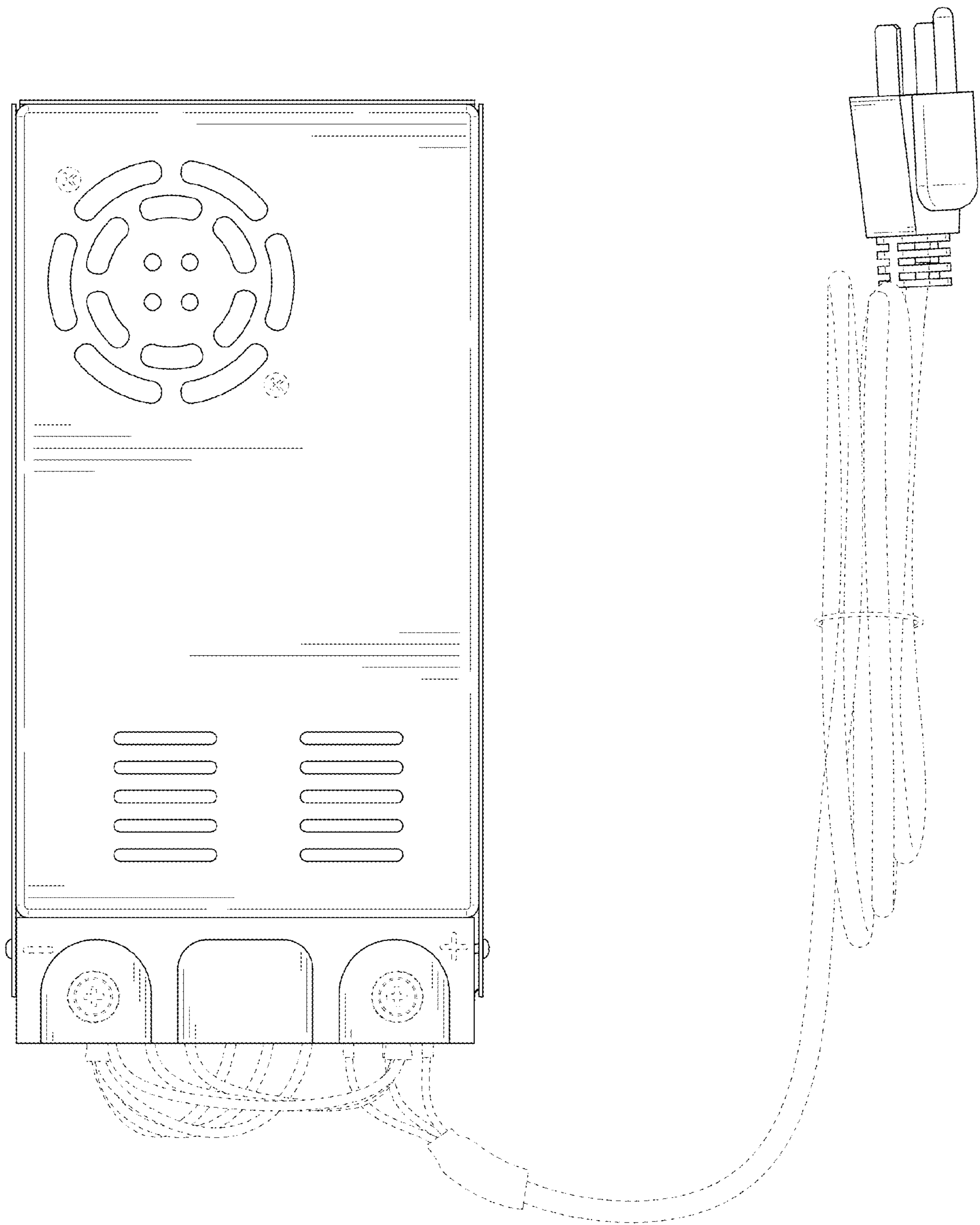


FIG. 3

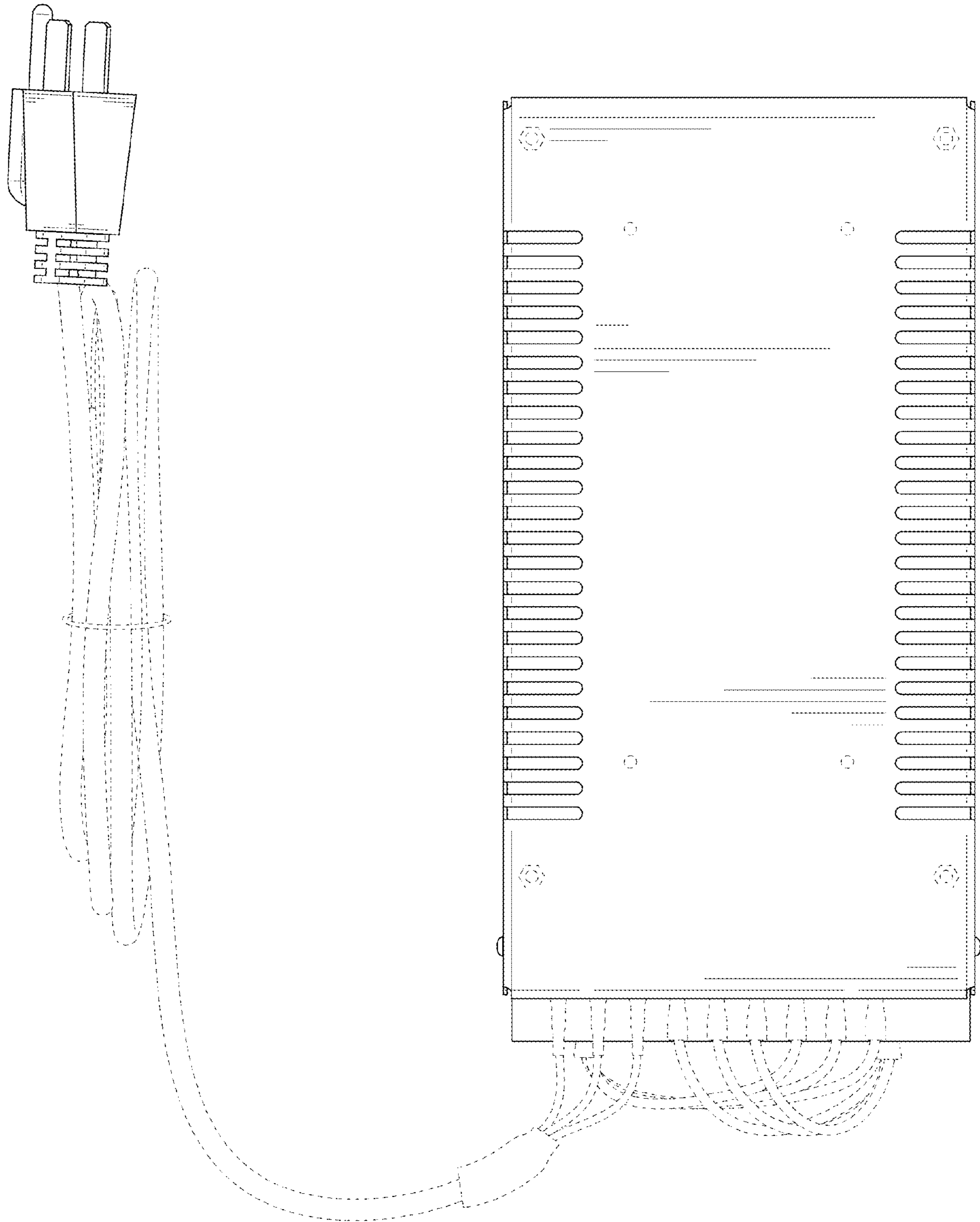


FIG. 4

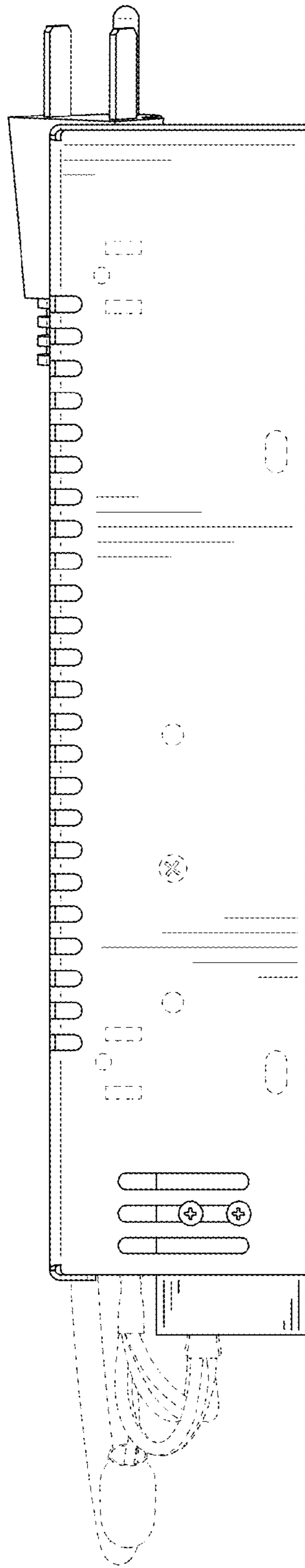


FIG. 5

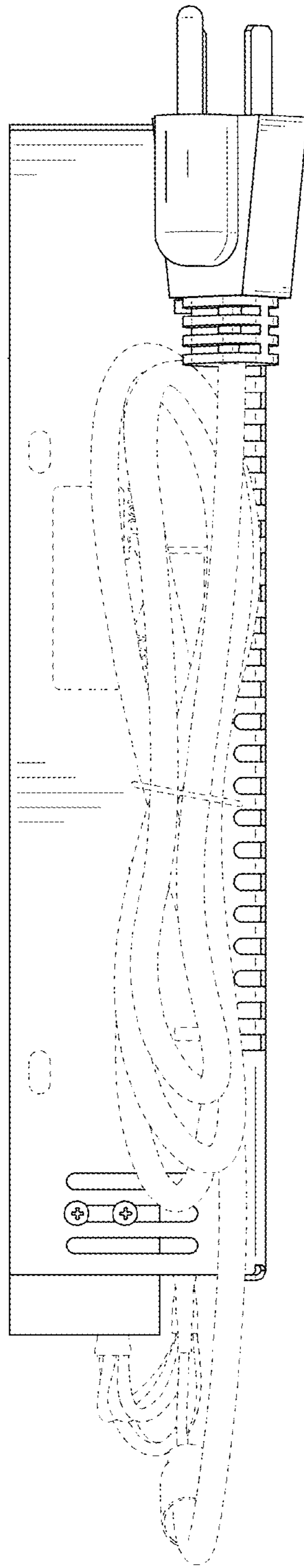


FIG. 6

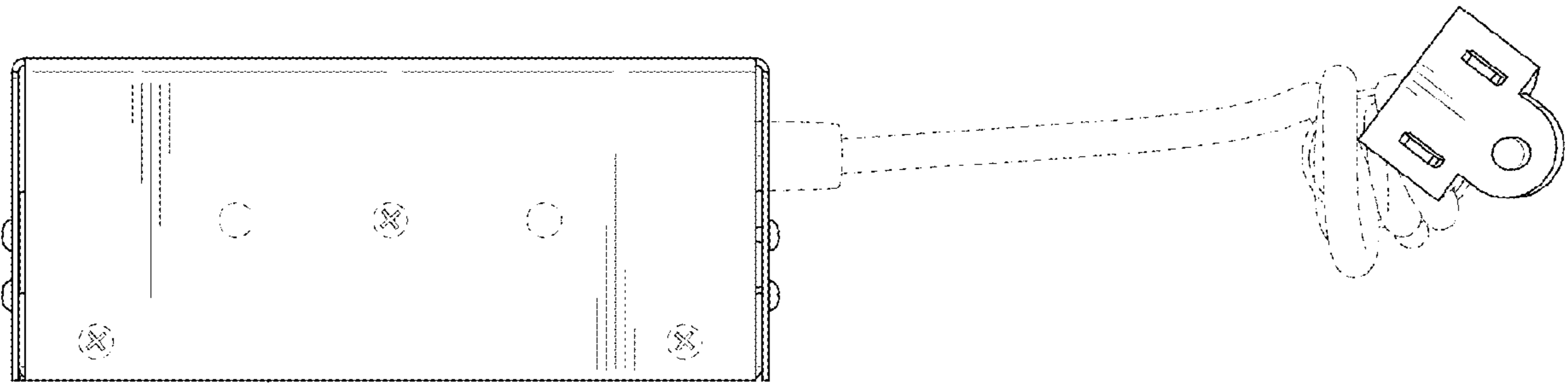


FIG. 7



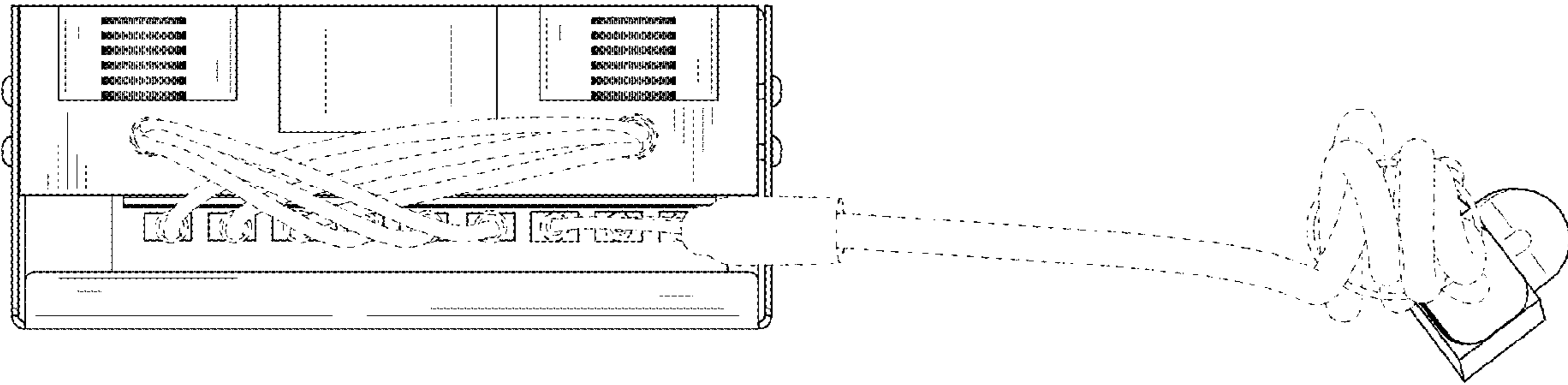


FIG. 8

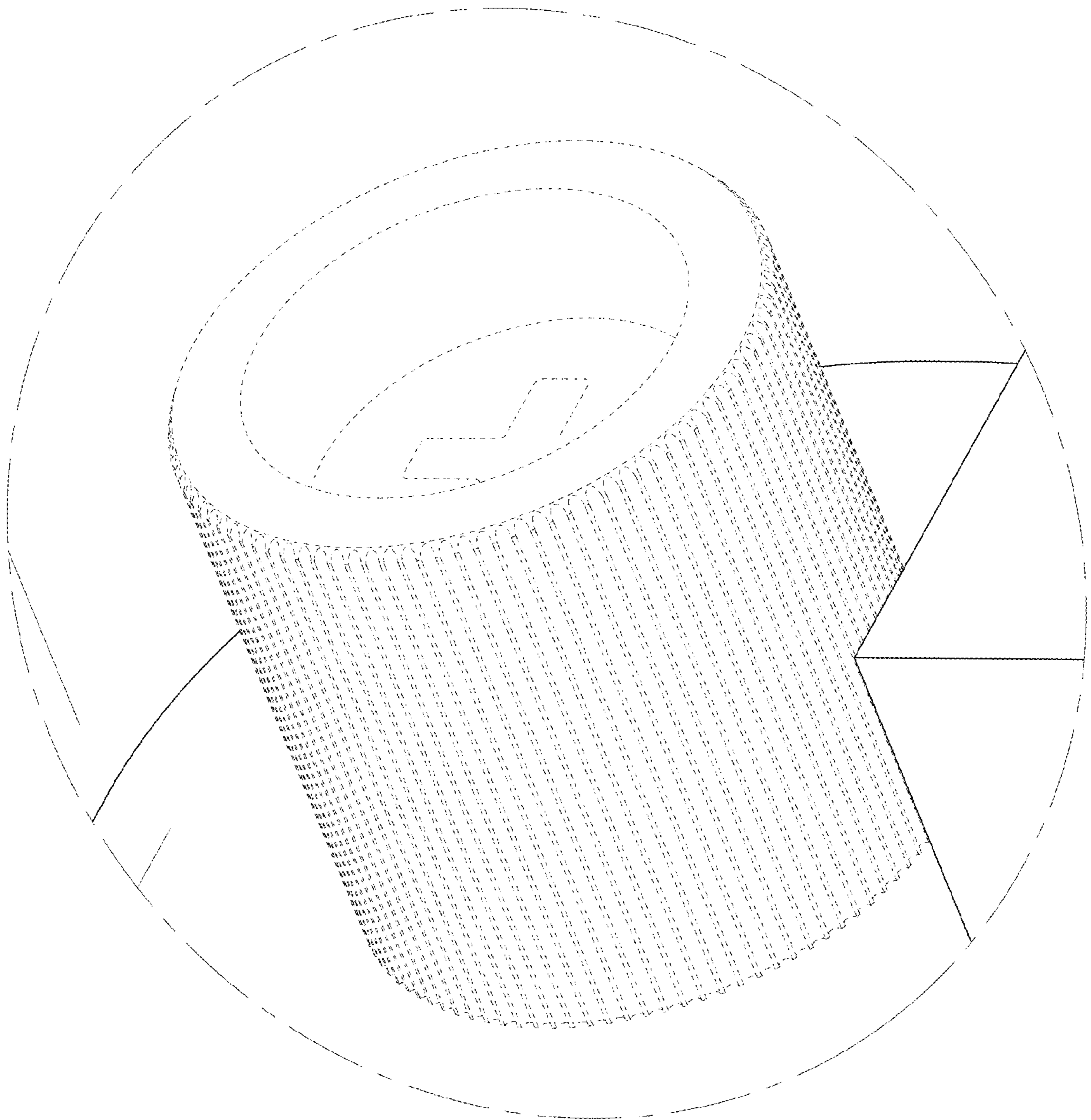


FIG. 9