



US00D954645S

(12) **United States Design Patent**  
**Chen et al.**

(10) **Patent No.:** **US D954,645 S**  
(45) **Date of Patent:** **\*\* Jun. 14, 2022**

(54) **EARPHONE CASE**

D812,000 S \* 3/2018 Li ..... D13/108  
D821,867 S \* 7/2018 Oligschlaeger ..... D9/422  
D826,854 S \* 8/2018 Roberts ..... D13/108

(71) Applicant: **BEIJING XIAOMI MOBILE SOFTWARE CO., LTD.**, Beijing (CN)

(Continued)

(72) Inventors: **Hongyu Chen**, Beijing (CN); **Long Chen**, Beijing (CN)

**FOREIGN PATENT DOCUMENTS**

CN 304995165 \* 1/2019  
KR 300834340.0000 \* 1/2016

(73) Assignee: **BEIJING XIAOMI MOBILE SOFTWARE CO., LTD.**, Beijing (CN)

**OTHER PUBLICATIONS**

(\*\*) Term: **15 Years**

Amazon.com, Site visited Nov. 18, 2021, Samson Airline Micro Wireless Earset System, First available May 8, 2017 <https://www.amazon.com/Samson-AirLine-Wireless-Water-Resistant-Transmitter/dp/B071HLW6QL> (Year: 2017).\*

(21) Appl. No.: **29/735,500**

(Continued)

(22) Filed: **May 21, 2020**

(30) **Foreign Application Priority Data**

*Primary Examiner* — Brett Miller

Nov. 25, 2019 (CN) ..... 201930651771.0

*Assistant Examiner* — Jessica M Gebhart

(51) **LOC (13) Cl.** ..... **13-02**

(74) *Attorney, Agent, or Firm* — Syncoda LLC; Feng Ma

(52) **U.S. Cl.**  
USPC ..... **D13/108; D3/201**

(57) **CLAIM**

The ornamental design for an earphone case, as shown and described.

(58) **Field of Classification Search**  
USPC ..... D3/272, 273, 274, 201, 205, 206, 218, D3/269, 282, 294; D6/315; D7/391, D7/601, 641; D13/107, 108; D14/201, D14/223; D9/420, 423, 426, 428, 430, D9/431, 432, 436, 499, 558, 717, 721  
CPC ..... H04R 1/1025; H02J 7/0044; Y02E 60/12; Y01R 13/6675; B65D 73/02  
See application file for complete search history.

**DESCRIPTION**

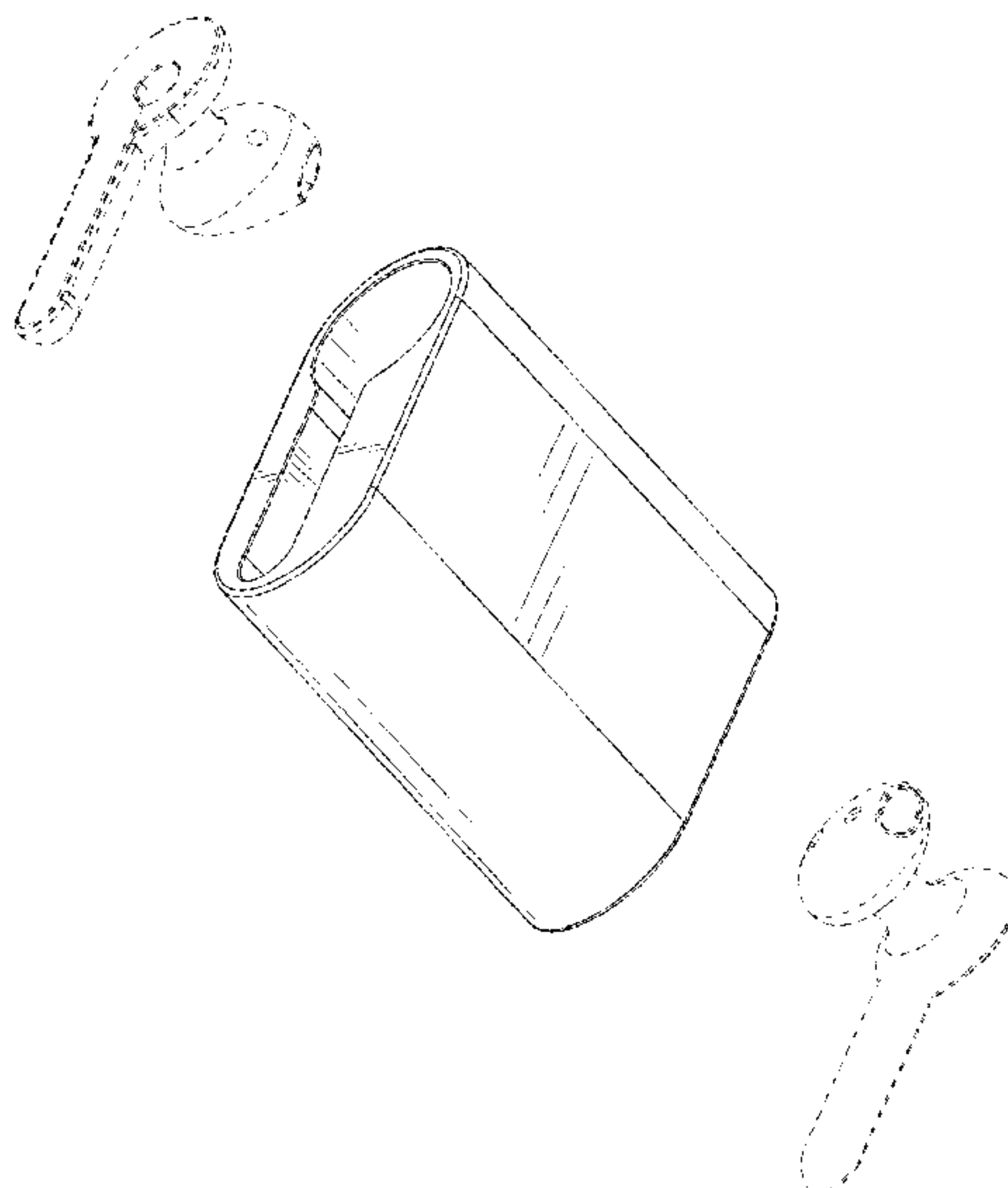
FIG. 1 is a front view of an earphone case showing our new design;  
FIG. 2 is a back view thereof;  
FIG. 3 is a left-side view thereof;  
FIG. 4 is a right-side view thereof;  
FIG. 5 is a top view thereof;  
FIG. 6 is a bottom view thereof;  
FIG. 7 is a perspective view thereof;  
FIG. 8 is another perspective view thereof;  
FIG. 9 is a top view thereof showing the earphone case with earphones; and,  
FIG. 10 is a front, right side perspective view thereof showing the earphones taking off the earphone case.  
The broken lines shown in the drawings depict environmental subject matter and form no part of the claimed design.

(56) **References Cited**

**U.S. PATENT DOCUMENTS**

D612,329 S \* 3/2010 Guccione ..... D13/108  
D650,738 S \* 12/2011 Leung ..... D13/107  
D732,023 S \* 6/2015 Asao ..... D14/358  
D791,077 S \* 7/2017 Tsou ..... D13/108  
D807,818 S \* 1/2018 Mathias ..... D13/107

**1 Claim, 10 Drawing Sheets**



(56)

**References Cited**

U.S. PATENT DOCUMENTS

D835,338	S	*	12/2018	Oligschlaeger	.....	D27/186
D839,823	S	*	2/2019	Lemelson	.....	D13/103
D853,958	S	*	7/2019	Lei	.....	D13/108
D886,054	S	*	6/2020	Liao	.....	D13/108
D894,828	S	*	9/2020	Chen	.....	D13/108
D899,358	S	*	10/2020	Reilly	.....	D13/108
D903,588	S	*	12/2020	Shoemake	.....	D13/108
D919,565	S	*	5/2021	Liu	.....	D13/108
D927,420	S	*	8/2021	Lee	.....	D13/108
D930,233	S	*	9/2021	Liu	.....	D27/162
2020/0153276	A1	*	5/2020	Ahmad Mughal	.....	H02J 50/90
2021/0160607	A1	*	5/2021	Liu	.....	H04B 1/3888

OTHER PUBLICATIONS

Amazon.com, Site visited Nov. 18, 2021, Defunc Tree Wireless Bluetooth 5.0 Earbuds with Power Bank Battery, First Available Jul. 1, 2019, <https://www.amazon.com/Wireless-Bluetooth-Earbuds-Battery-POWERBANK-Charge/dp/B07SX99L7S> (Year: 2019).\*

Amazon.com, Site visited Nov. 18, 2021, True Wireless Earbuds for iPhone and Android, First available Sep. 25, 2019, <https://www.amazon.com/FIIL-True-Wireless-Earbuds-Ear/dp/B07YBYN3P9> (Year: 2019).\*

\* cited by examiner

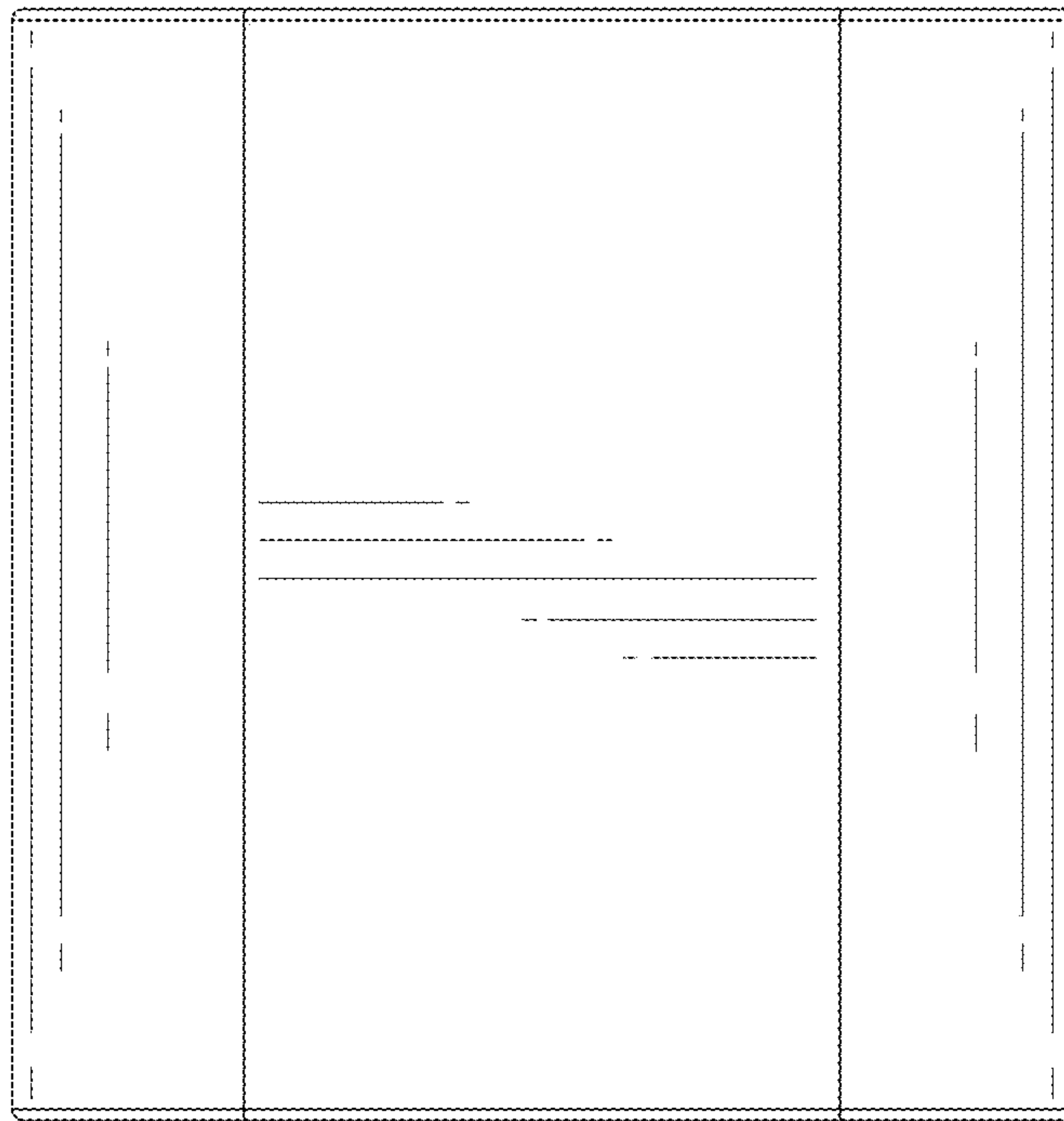


FIG. 1

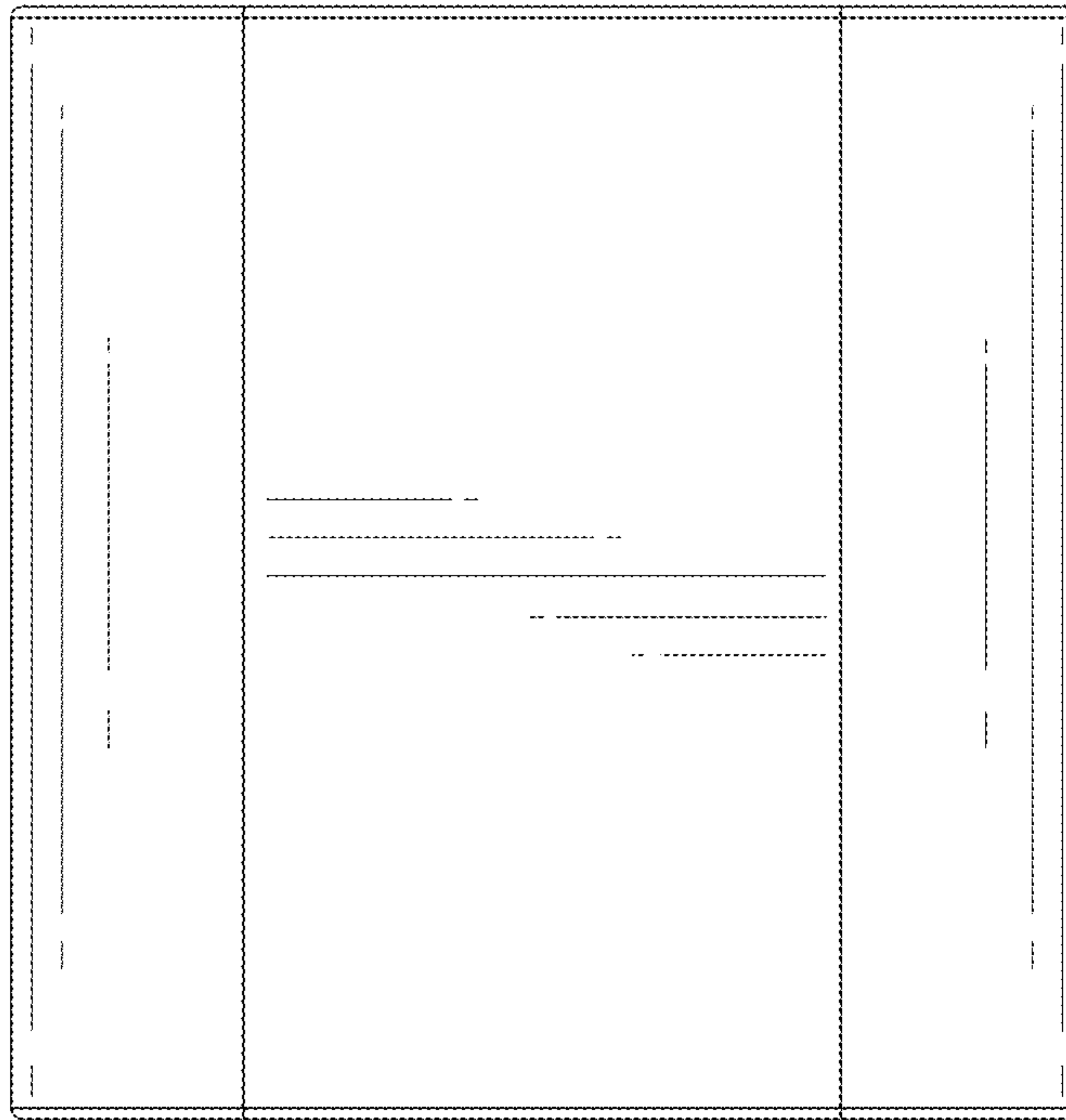


FIG. 2

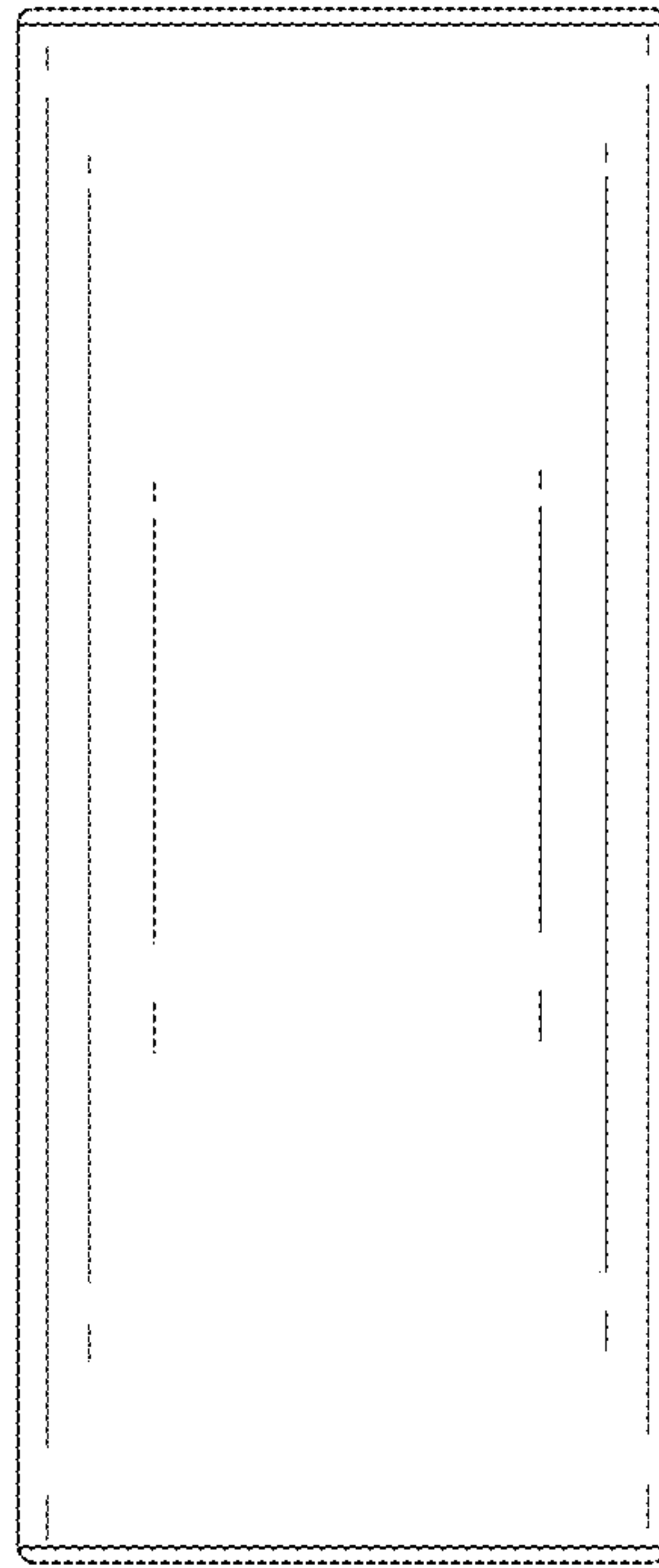


FIG. 3

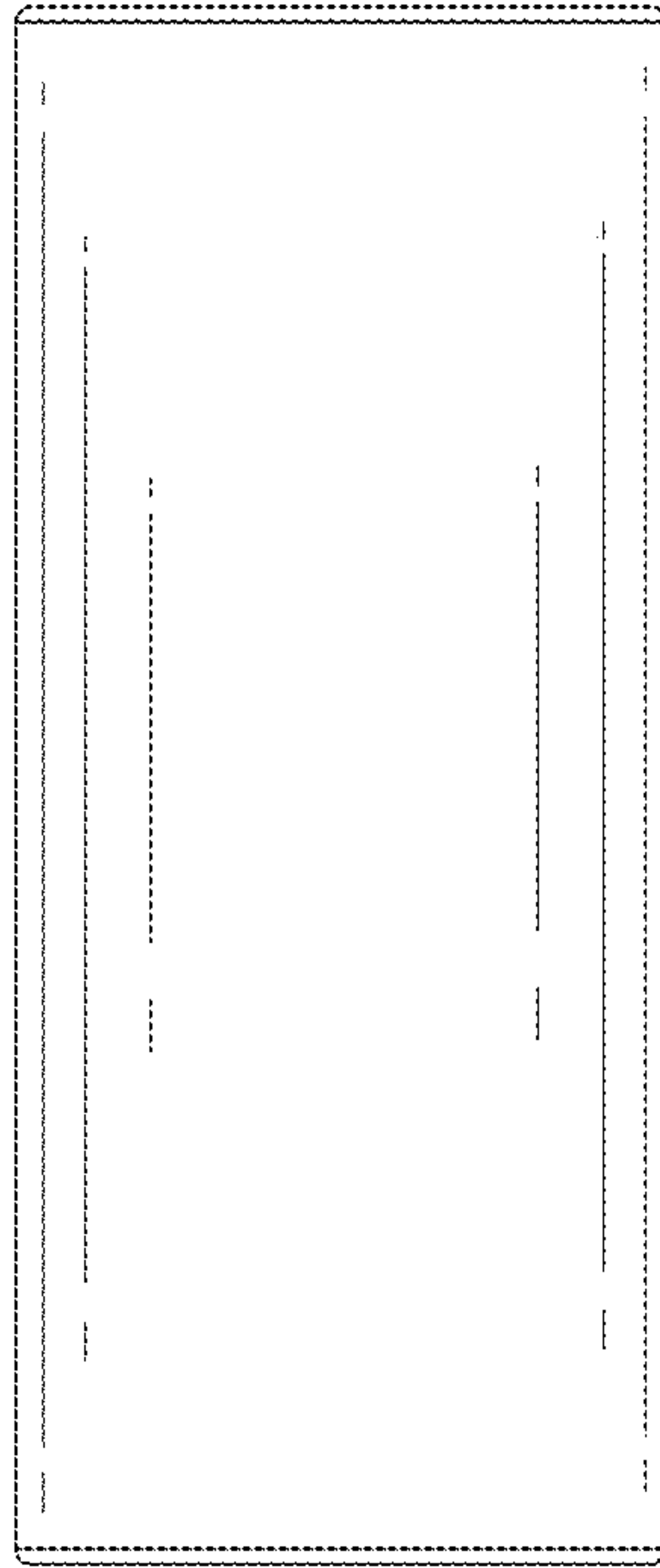


FIG. 4

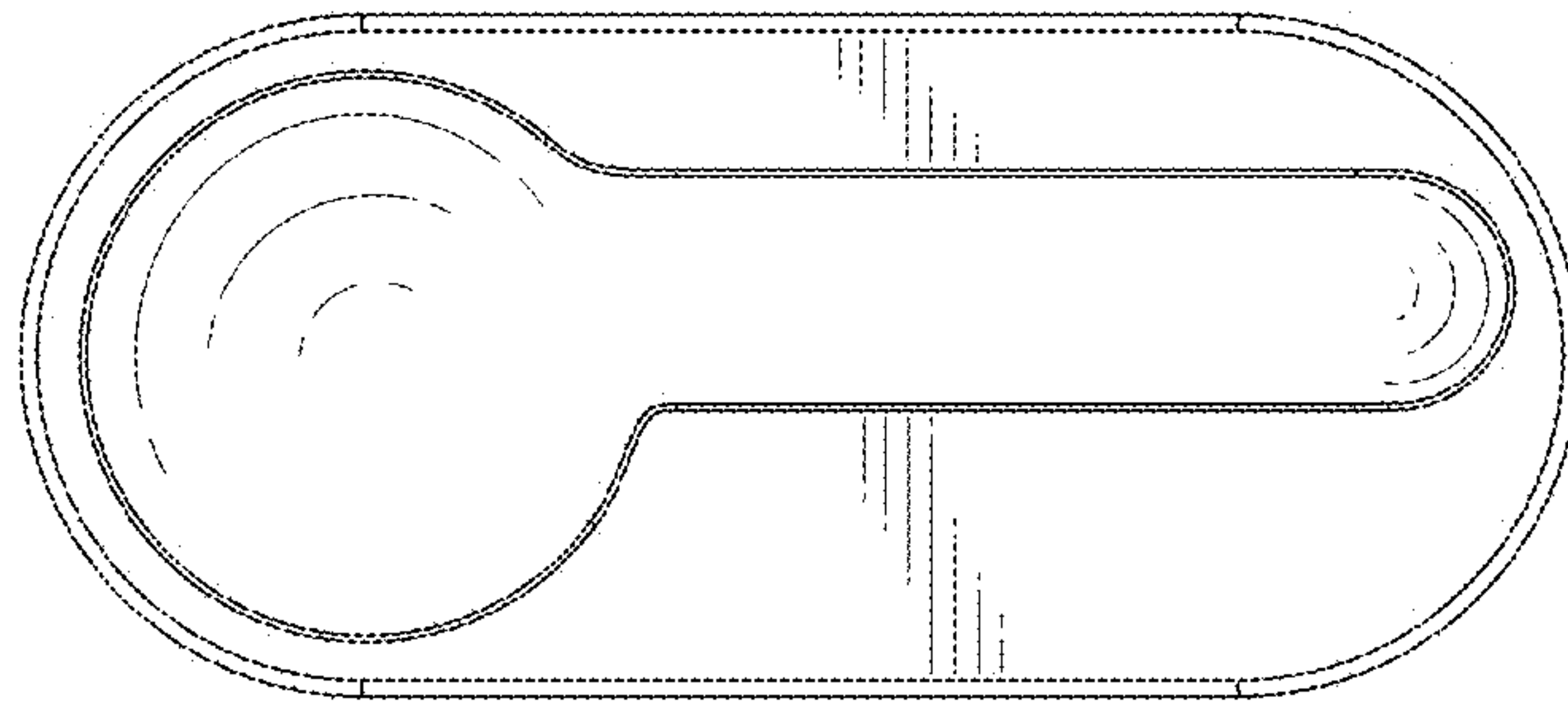


FIG. 5

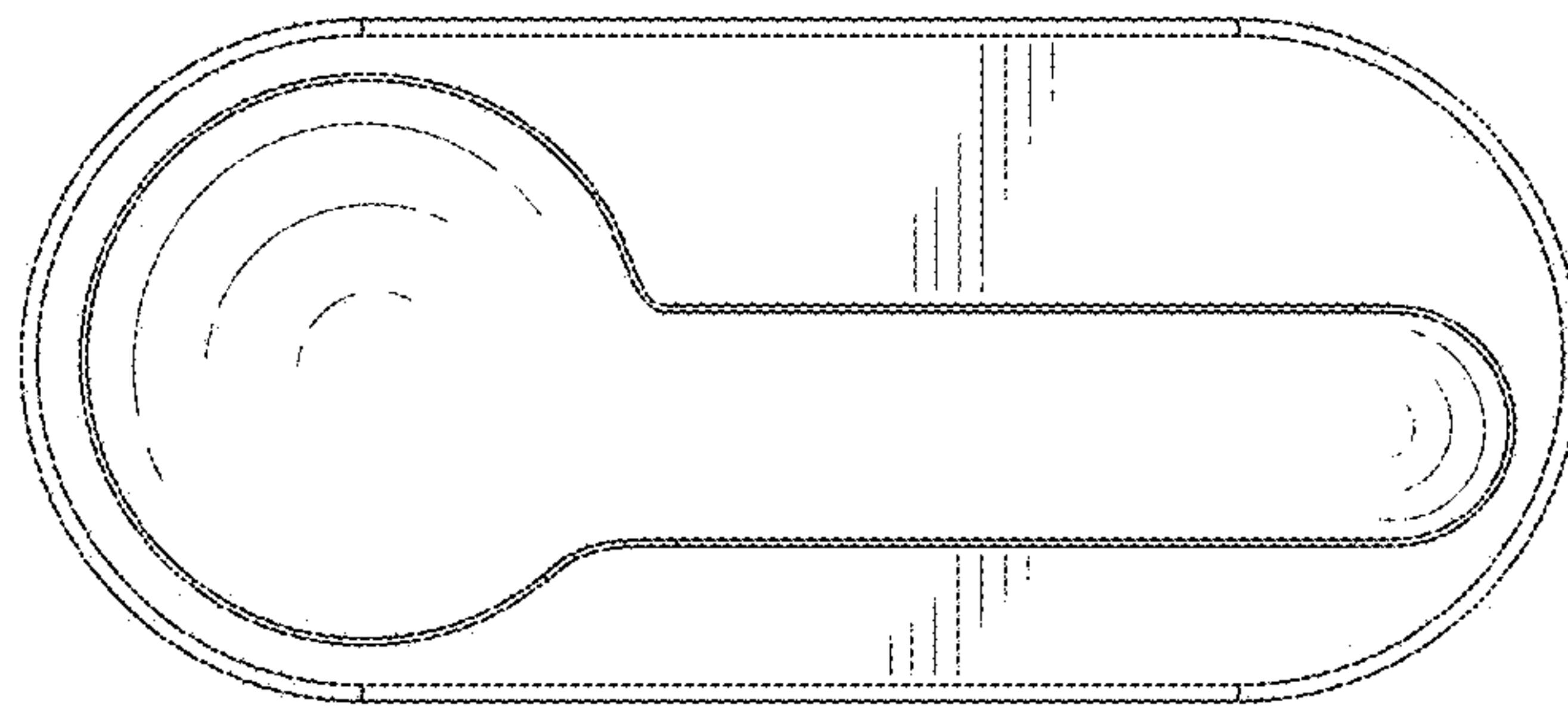


FIG. 6



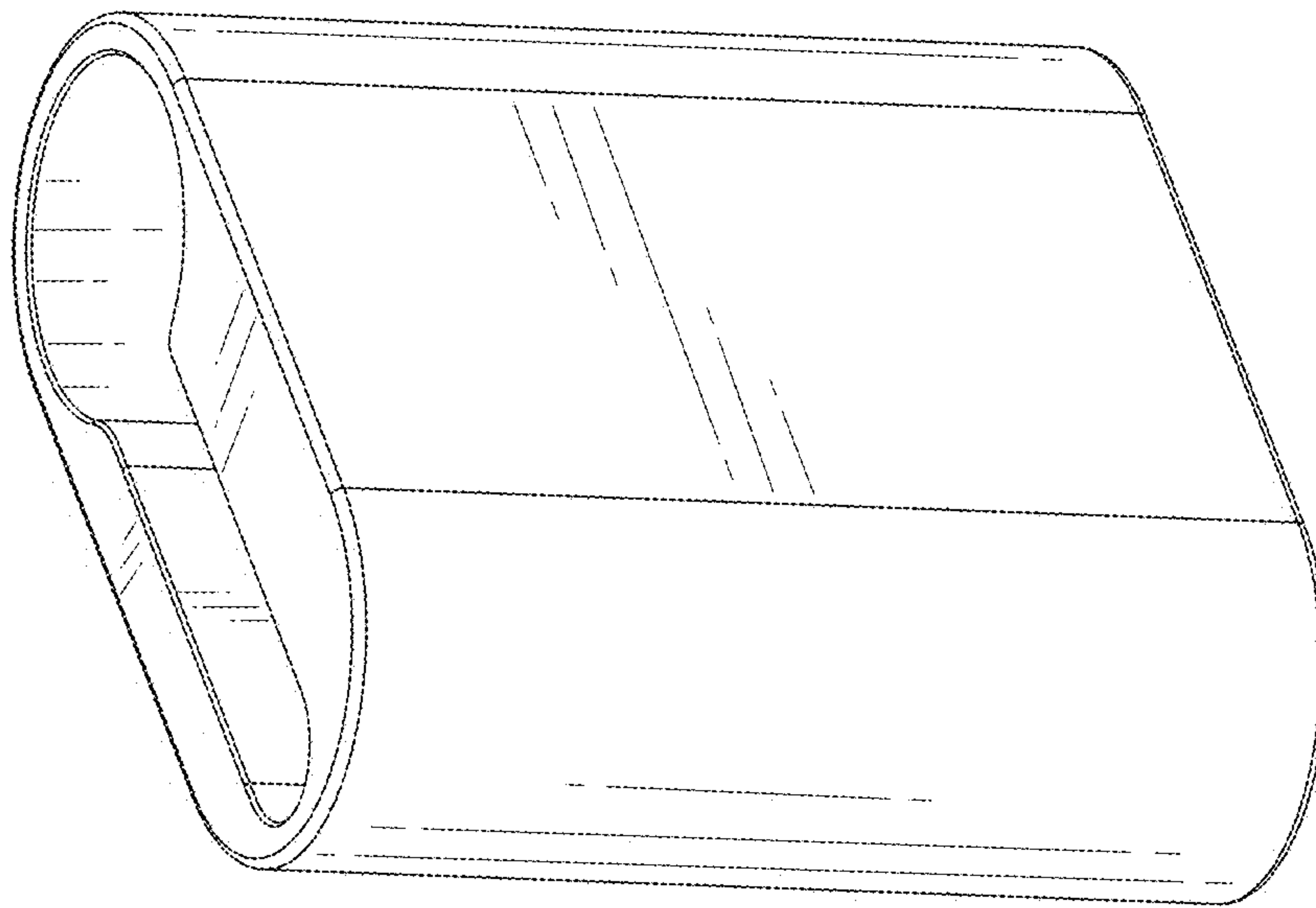


FIG. 7

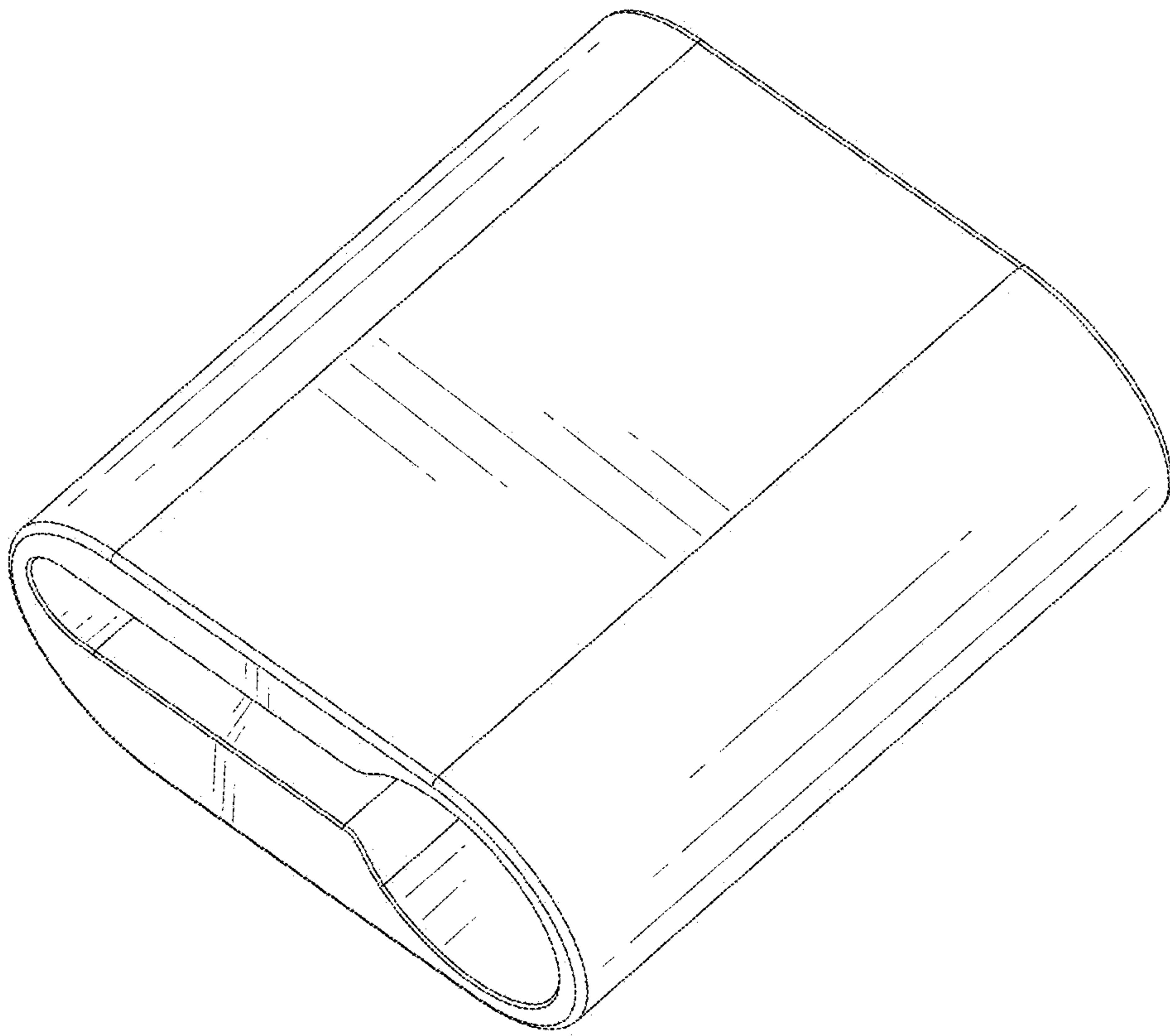


FIG. 8

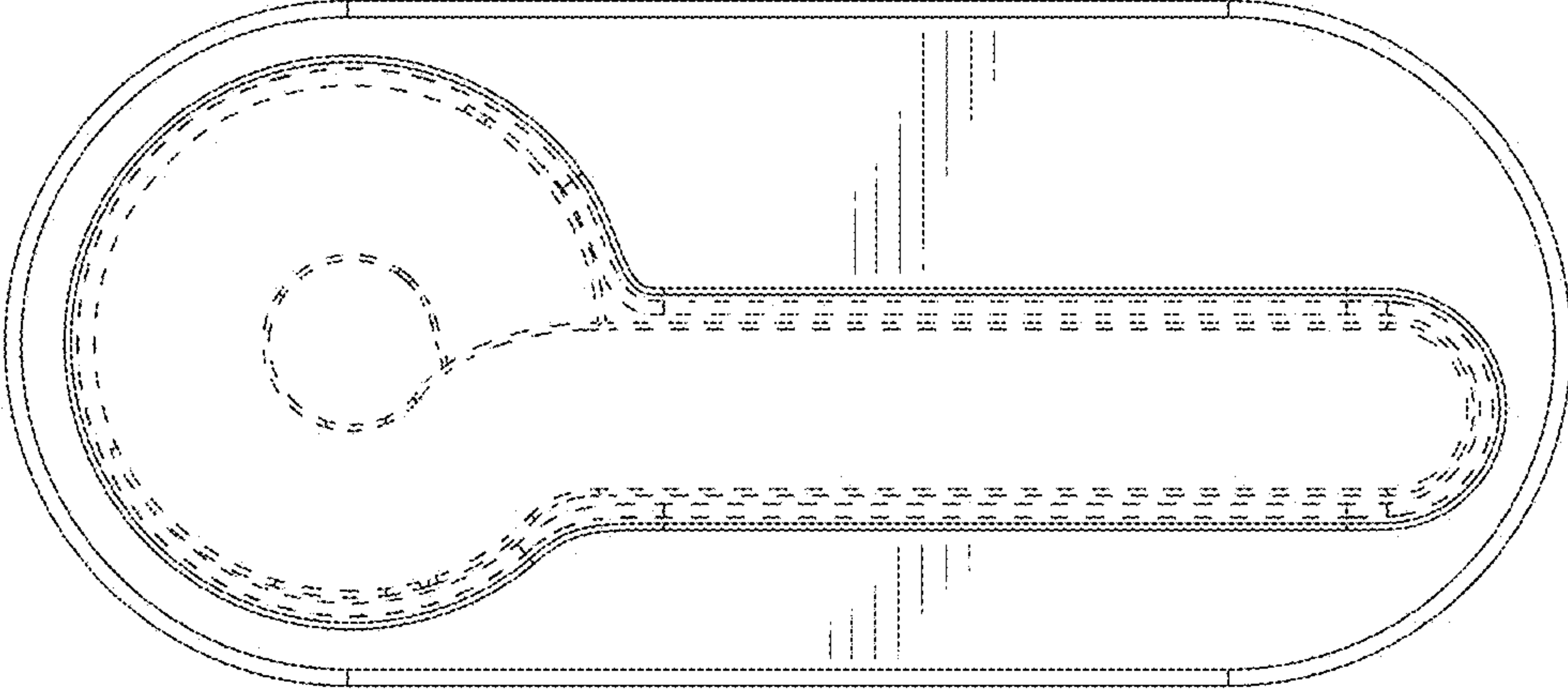


FIG. 9

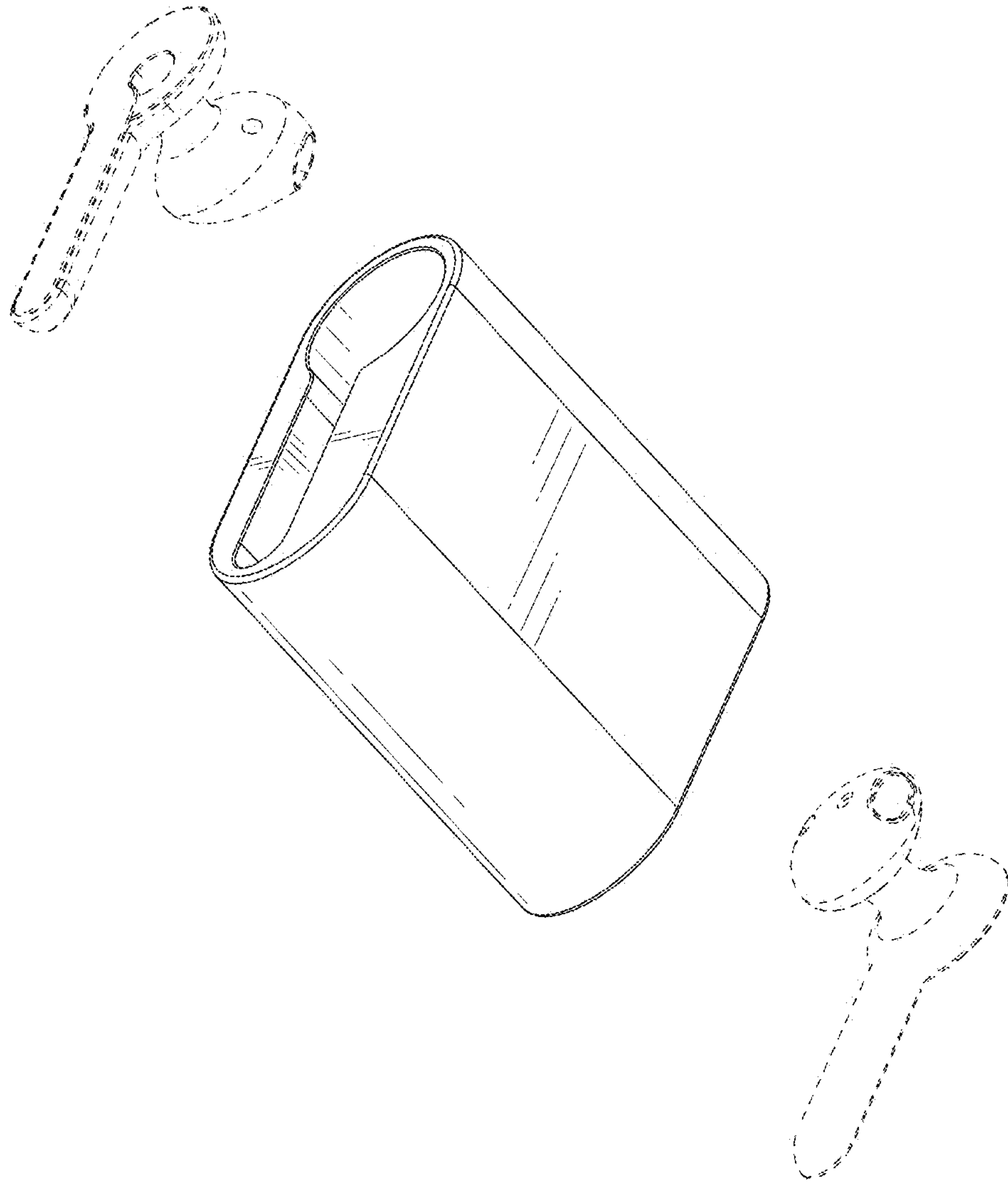


FIG. 10