



US00D954644S

(12) **United States Design Patent**
Mai

(10) **Patent No.:** **US D954,644 S**
(45) **Date of Patent:** **** Jun. 14, 2022**

(54) **POWER SUPPLY**

(71) Applicant: **SHENZHEN XUNWEIJIA TECHNOLOGY DEVELOPMENT CO., LTD.**, Shenzhen (CN)

(72) Inventor: **Qibin Mai**, Shenzhen (CN)

(73) Assignee: **SHENZHEN XUNWEIJIA TECHNOLOGY DEVELOPMENT CO., LTD.**, Shenzhen (CN)

(**) Term: **15 Years**

(21) Appl. No.: **29/784,948**

(22) Filed: **May 21, 2021**

(51) **LOC (13) Cl.** **13-03**

(52) **U.S. Cl.**
USPC **D13/107**

(58) **Field of Classification Search**
USPC D13/103, 106, 107, 108, 109, 110, 112, D13/114, 116, 118, 119, 184, 199
CPC H01M 10/46; H02J 7/0044; F02B 63/04
See application file for complete search history.

(56) **References Cited**

U.S. PATENT DOCUMENTS

D421,245 S	2/2000	Weng	
6,198,233 B1 *	3/2001	McConaughy H05B 41/02 315/291
6,577,501 B2 *	6/2003	Lin G06F 1/184 361/759
D491,523 S *	6/2004	Chi D13/110
D503,679 S *	4/2005	Andre D13/110
D506,977 S *	7/2005	Lee D13/110
D516,020 S *	2/2006	Wong D13/103
D559,777 S	1/2008	Hu et al.	
D615,035 S *	5/2010	Farris-Gilbert D13/110

D632,650 S *	2/2011	Rashid D13/110
D670,245 S	11/2012	Du	
D699,179 S	2/2014	Alexander	
D699,669 S *	2/2014	Kasaba D13/103
D773,992 S *	12/2016	Krantz D13/110
D798,234 S	9/2017	Bryant	
D837,149 S *	1/2019	Yin D13/103
D840,334 S *	2/2019	Concari D13/110
D864,866 S	10/2019	Dong et al.	
D868,707 S *	12/2019	Lin D13/158
D872,023 S *	1/2020	Huang D13/124
D877,062 S	3/2020	Yin et al.	
D886,047 S *	6/2020	Hung D13/103
D897,283 S	9/2020	Sun et al.	
D911,953 S *	3/2021	Yin D13/103
D942,391 S *	2/2022	Yin D13/110
D942,933 S *	2/2022	Yin D13/107

* cited by examiner

Primary Examiner — Khawaja Anwar

(74) *Attorney, Agent, or Firm* — Law Offices of Steven W. Weinrieb

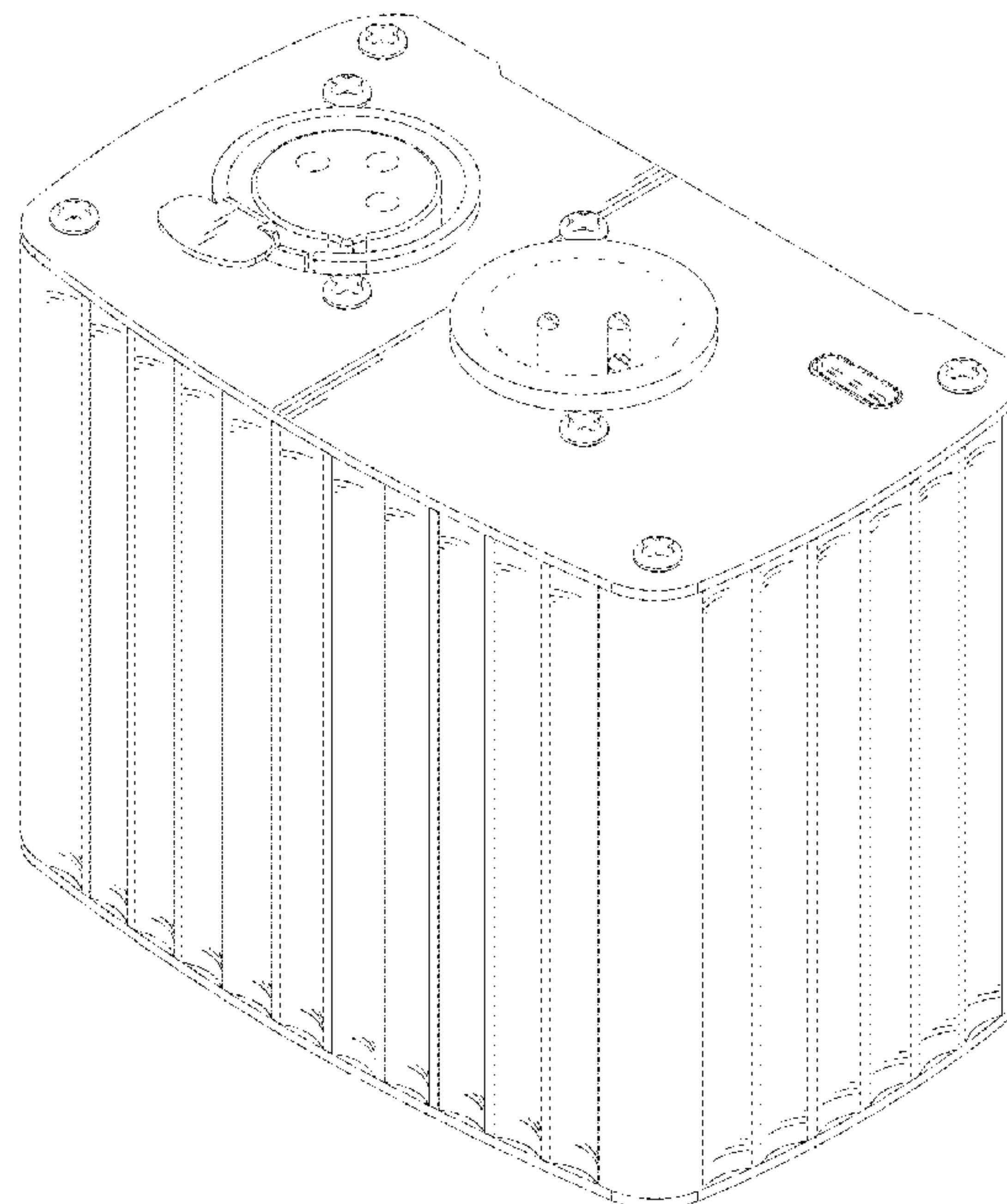
(57) **CLAIM**

The ornamental design for a power supply, as shown and described.

DESCRIPTION

FIG. 1 is a front, right side, top perspective view of a power supply showing my new design;
FIG. 2 is a front elevational view thereof;
FIG. 3 is a rear elevational view thereof;
FIG. 4 is a left side elevational view thereof;
FIG. 5 is a right side elevational view thereof;
FIG. 6 is a top plan view thereof; and,
FIG. 7 is a bottom plan view thereof.
The broken lines depict portions of the power supply that form no part of the claimed design.

1 Claim, 7 Drawing Sheets



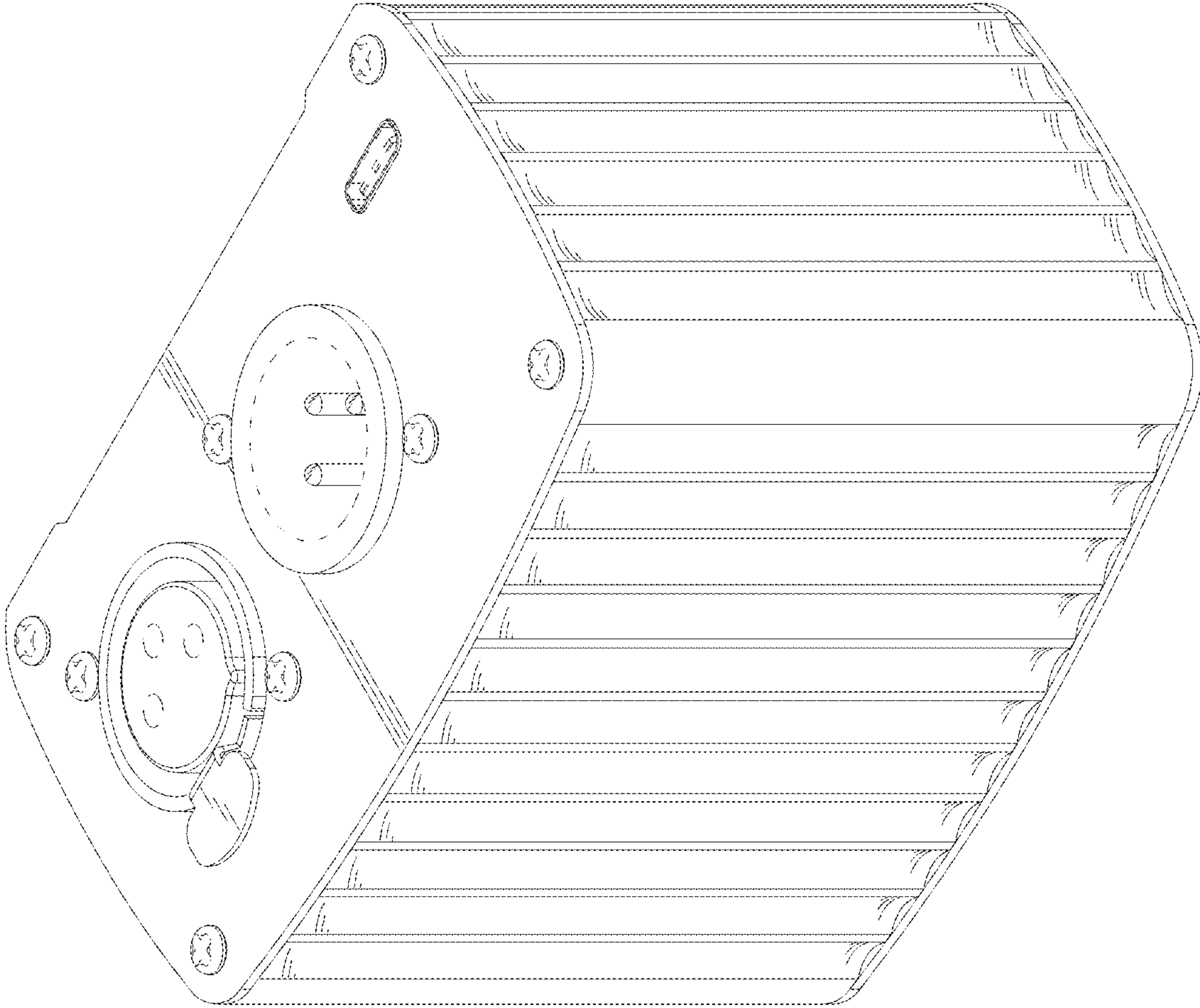


FIG. 1

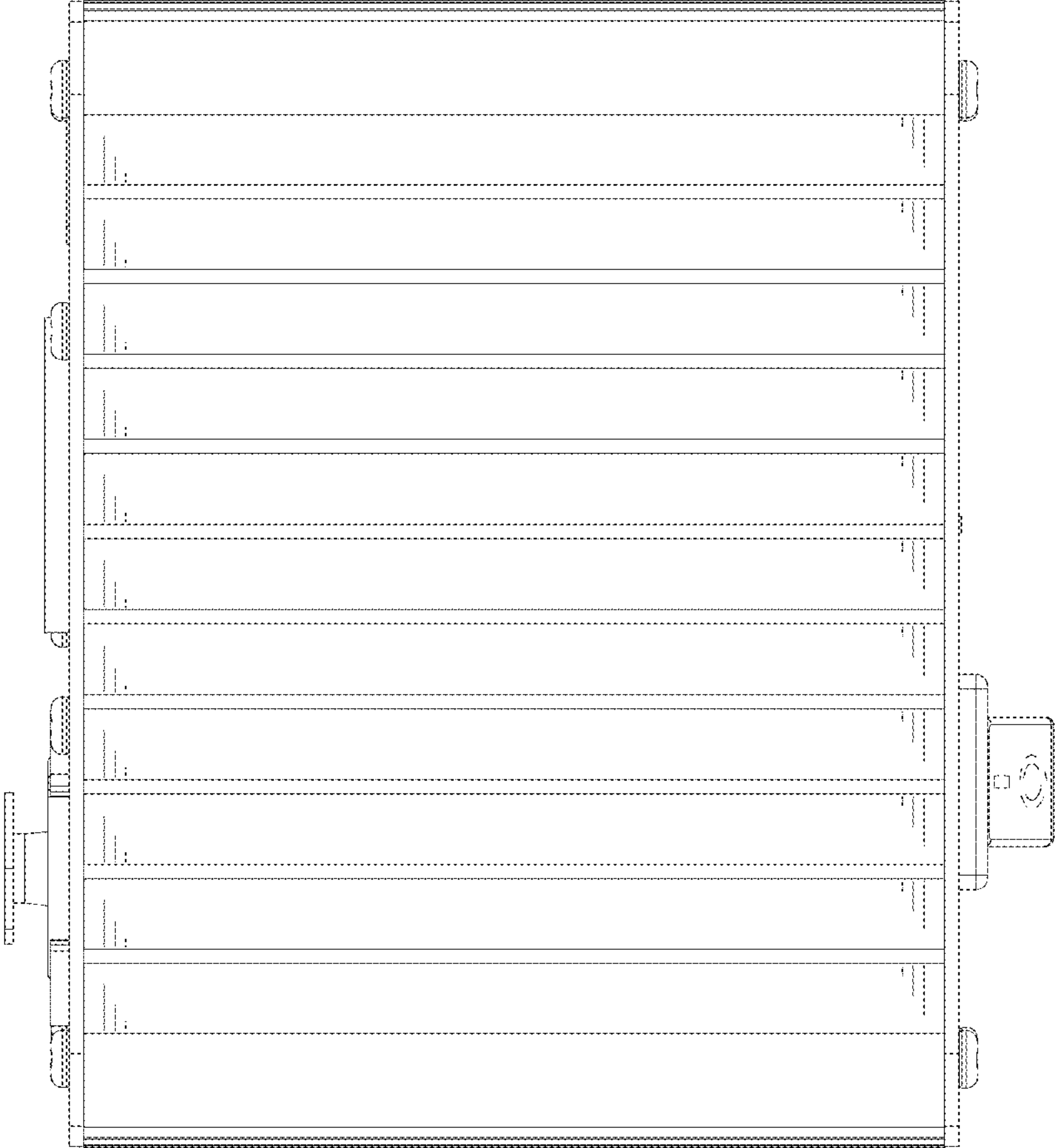


FIG. 2

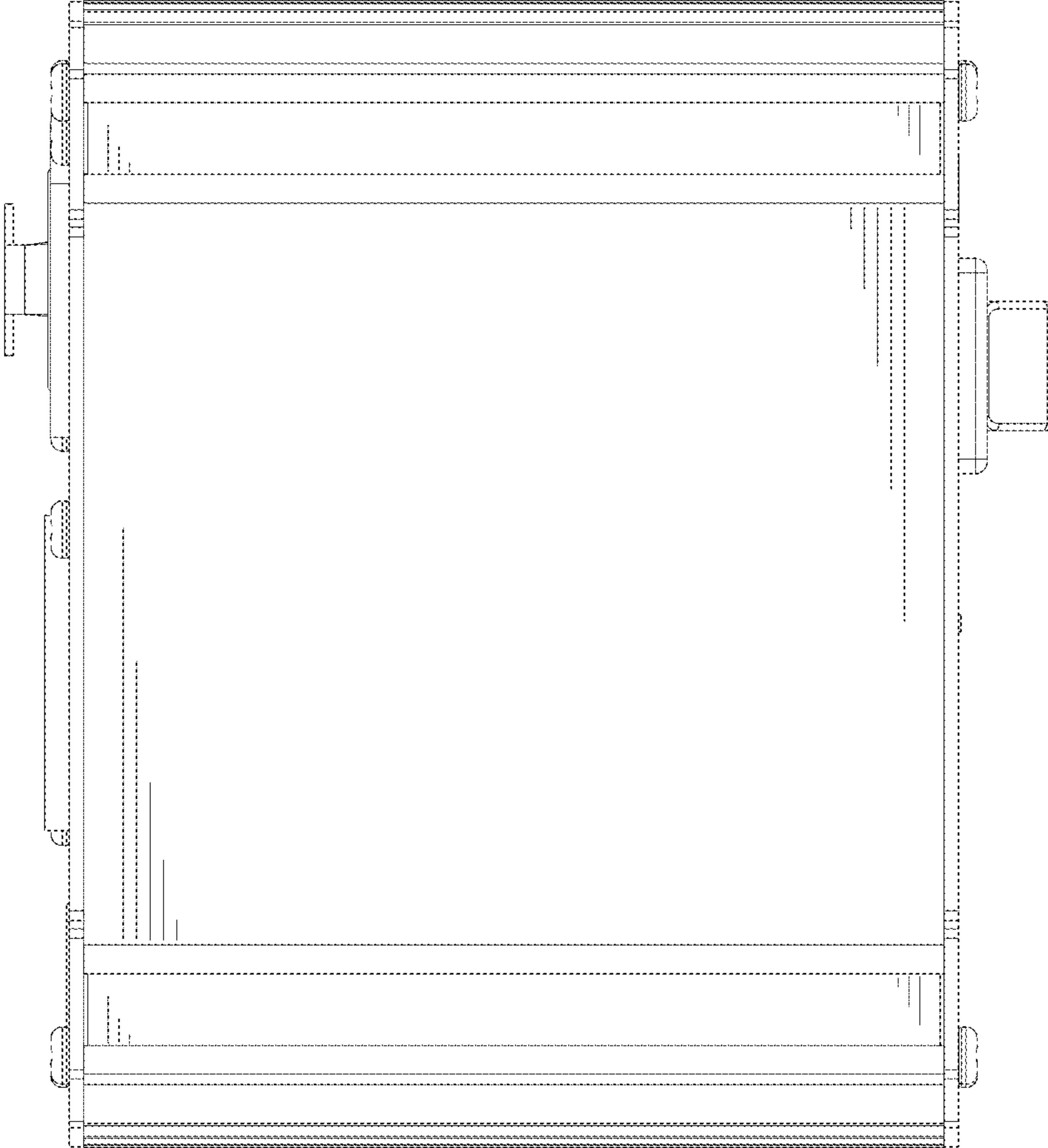


FIG. 3

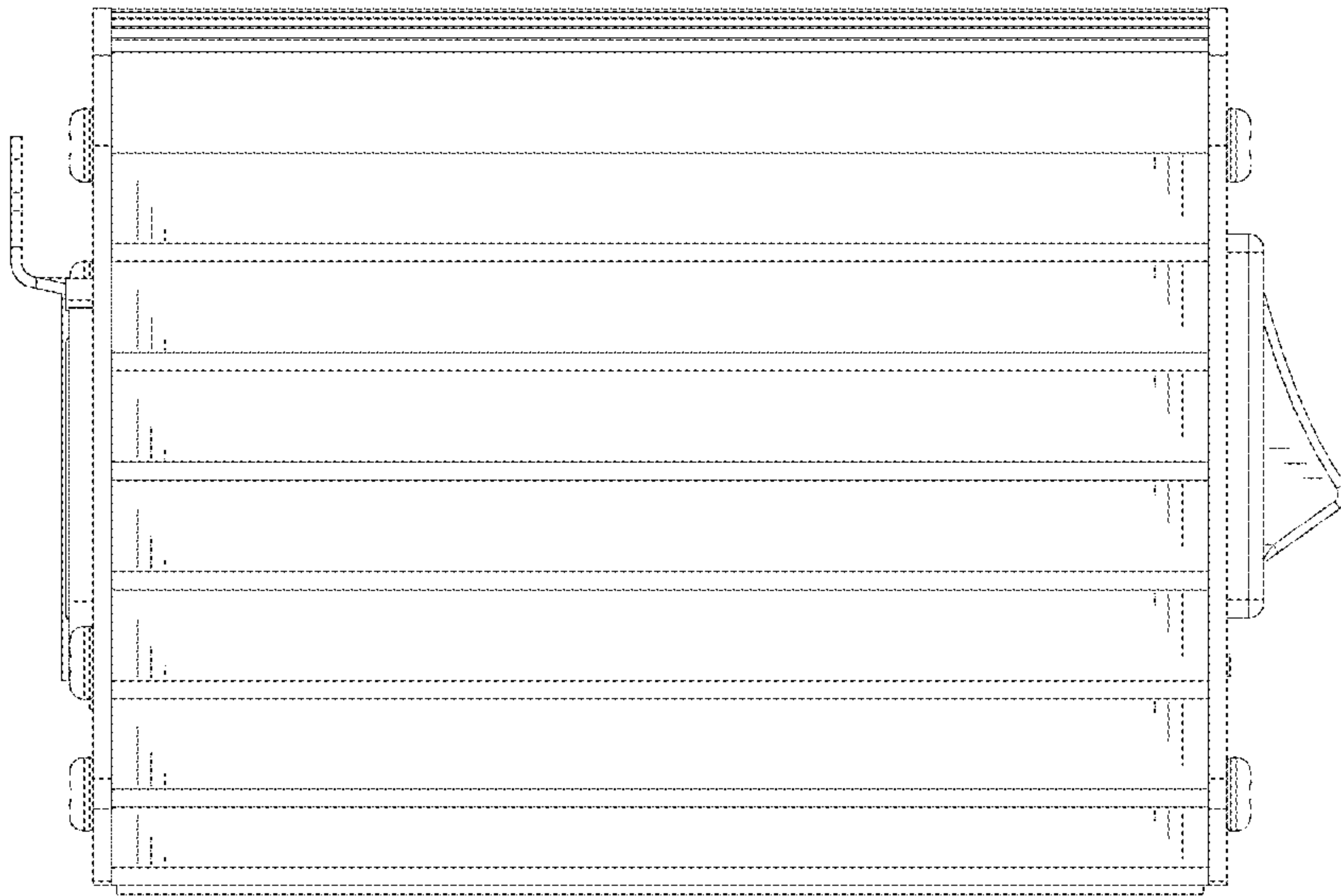


FIG. 4

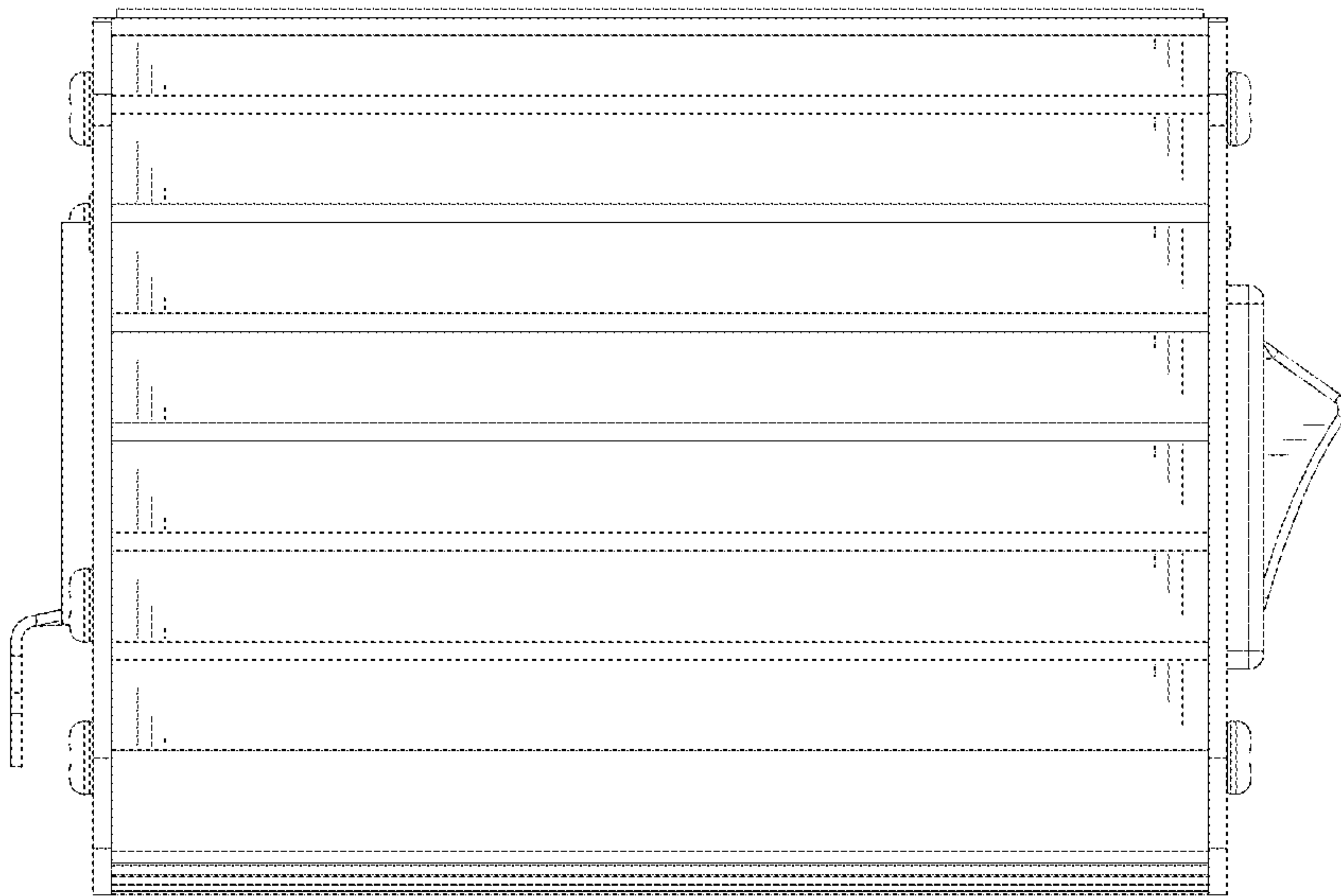


FIG. 5

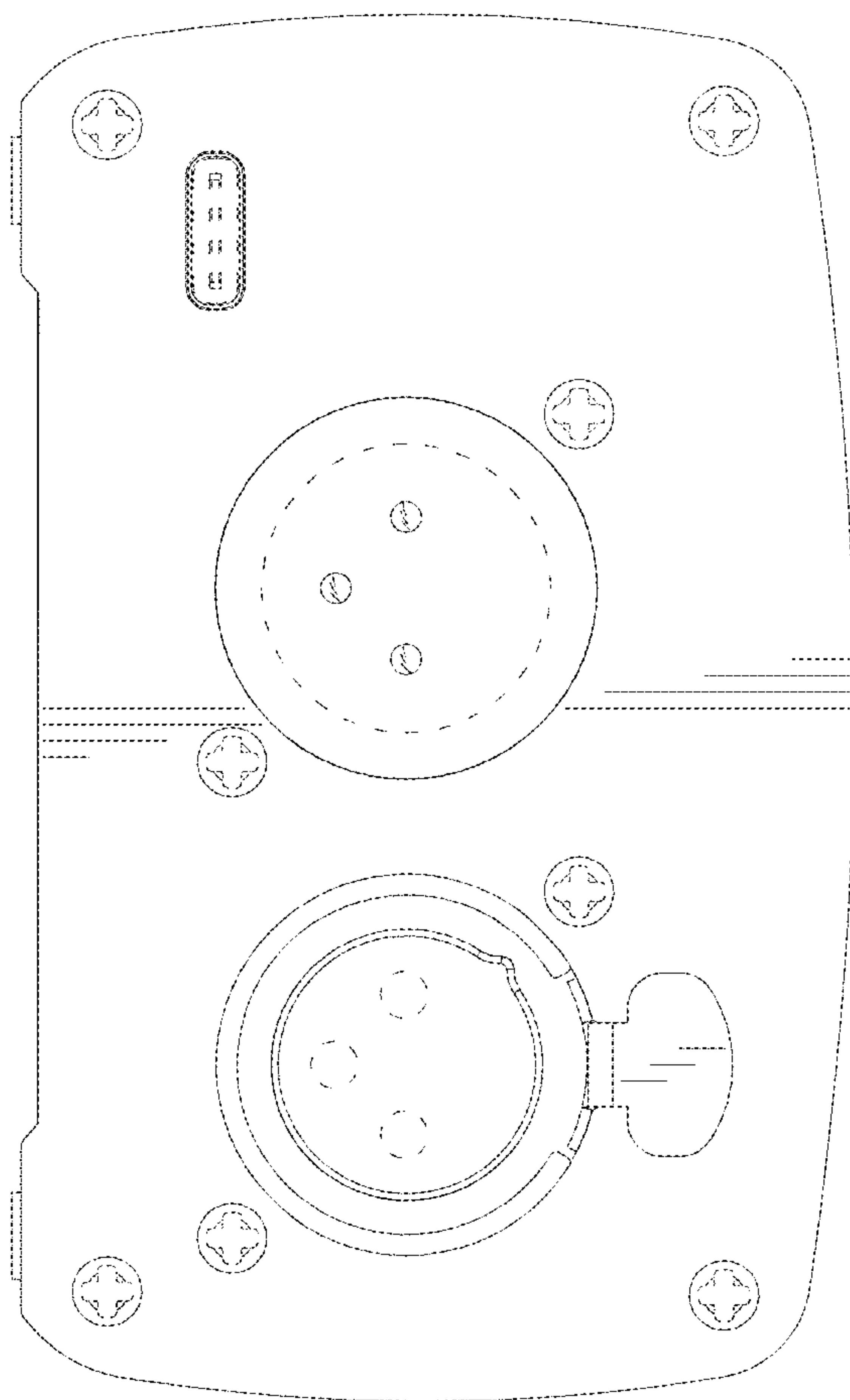


FIG.6

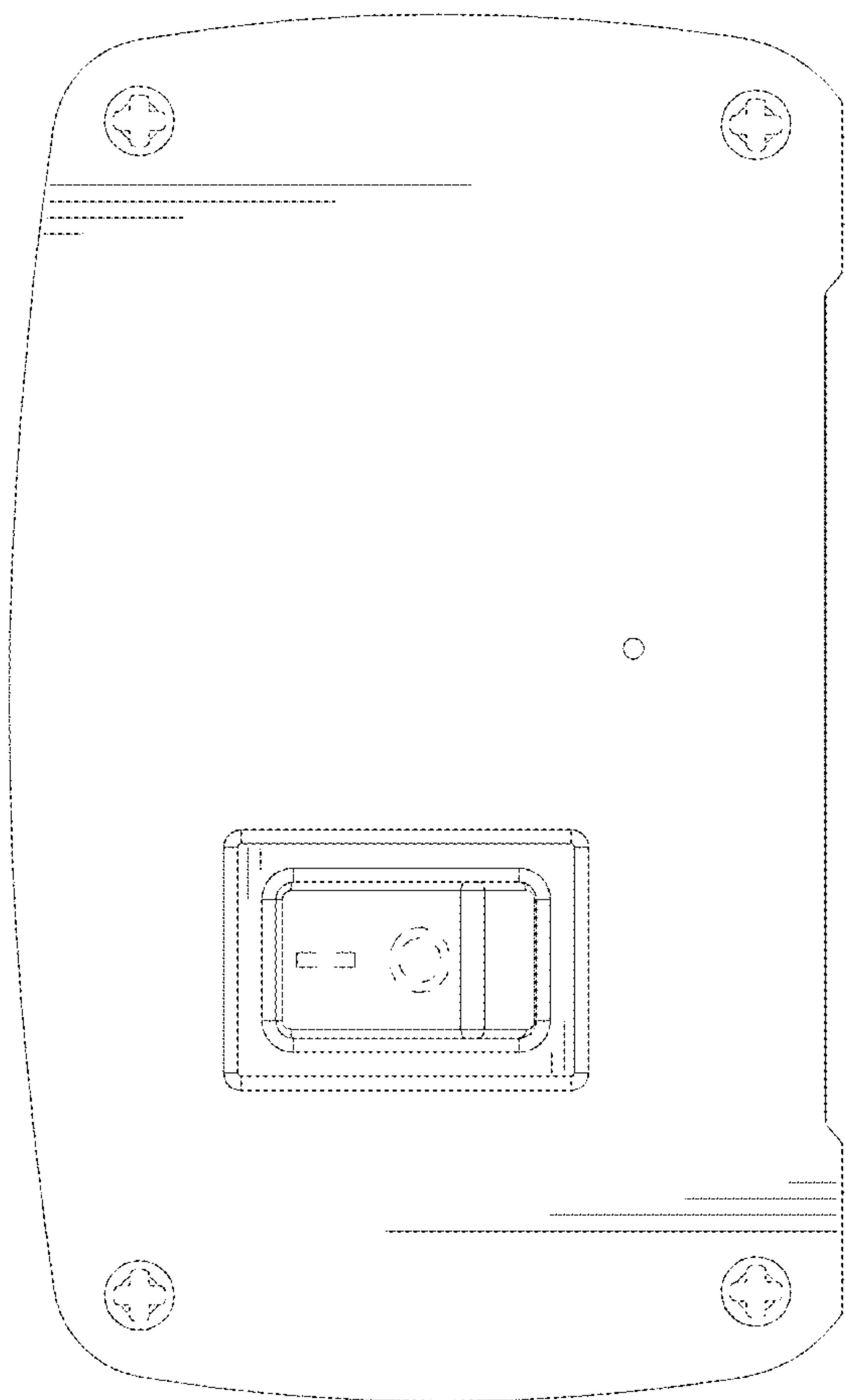


FIG. 7