

US00D954643S

(12) **United States Design Patent** (10) **Patent No.:** **US D954,643 S**
Antonio et al. (45) **Date of Patent:** **** Jun. 14, 2022**

(54) **BATTERY CHARGER**

(71) Applicant: **Clarius Mobile Health Corp.**, Burnaby (CA)

(72) Inventors: **Alex Barcenas Antonio**, Burnaby (CA); **Daniel Christian Rahardja**, Burnaby (CA); **Binda Zhang**, Surrey (CA)

(73) Assignee: **Clarius Mobile Health Corp.**, Vancouver (CA)

(**) Term: **15 Years**

(21) Appl. No.: **29/690,498**

(22) Filed: **May 8, 2019**

(51) **LOC (13) Cl.** **13-02**

(52) **U.S. Cl.**
USPC **D13/107**

(58) **Field of Classification Search**
USPC D13/107–110, 118–119, 184; D14/251, D14/253, 432, 434
CPC Y02E 60/12; Y02T 90/14; Y02T 90/122; Y02T 90/128; Y02T 90/163; H02J 7/025; H02J 7/0042; H02J 7/0044; H02J 7/0045; H02J 7/0013; H02J 7/0003; H01F 38/14; H01R 13/6675; H01M 2/1022; H01M 2/1055; H01M 10/44; H01M 10/46; H01M 10/425; B60L 11/182

See application file for complete search history.

(56) **References Cited**

U.S. PATENT DOCUMENTS

D310,203 S	8/1990	Takahashi et al.	
D322,060 S	12/1991	Iino	
D477,823 S *	7/2003	Lavello, Sr.	D14/149
D532,365 S *	11/2006	Shen	D13/107

D585,367 S	1/2009	Dunbar et al.	
D632,648 S	2/2011	Yang	
D634,270 S *	3/2011	Brickstad	D13/108
D654,019 S *	2/2012	Ikegame	D13/108
D657,308 S	4/2012	Fahrendorff et al.	
D659,092 S *	5/2012	Kawano	D13/108
D675,157 S *	1/2013	Lacotta	D13/108
D720,687 S	1/2015	Hasbrook	
D780,824 S *	3/2017	Li	D16/237
D822,597 S *	7/2018	Wai Hung	D13/107
D823,240 S	7/2018	Zhang et al.	
D902,212 S *	11/2020	Sjogren	D14/434
D926,680 S *	8/2021	Wang	D13/108
D926,681 S *	8/2021	Wang	D13/108
D926,684 S *	8/2021	Cheung	D13/108
D927,418 S *	8/2021	Jones	D13/108

* cited by examiner

Primary Examiner — Nathaniel D. Buckner

(74) *Attorney, Agent, or Firm* — Julian Ho; Susan Ben-Oliel

(57) **CLAIM**

The ornamental design for a battery charger, as shown and described.

DESCRIPTION

FIG. 1 is a front perspective view of a battery charger showing our new design

FIG. 2 is a rear perspective view thereof;

FIG. 3 is a top view thereof;

FIG. 4 is a front view thereof;

FIG. 5 is a right side view thereof;

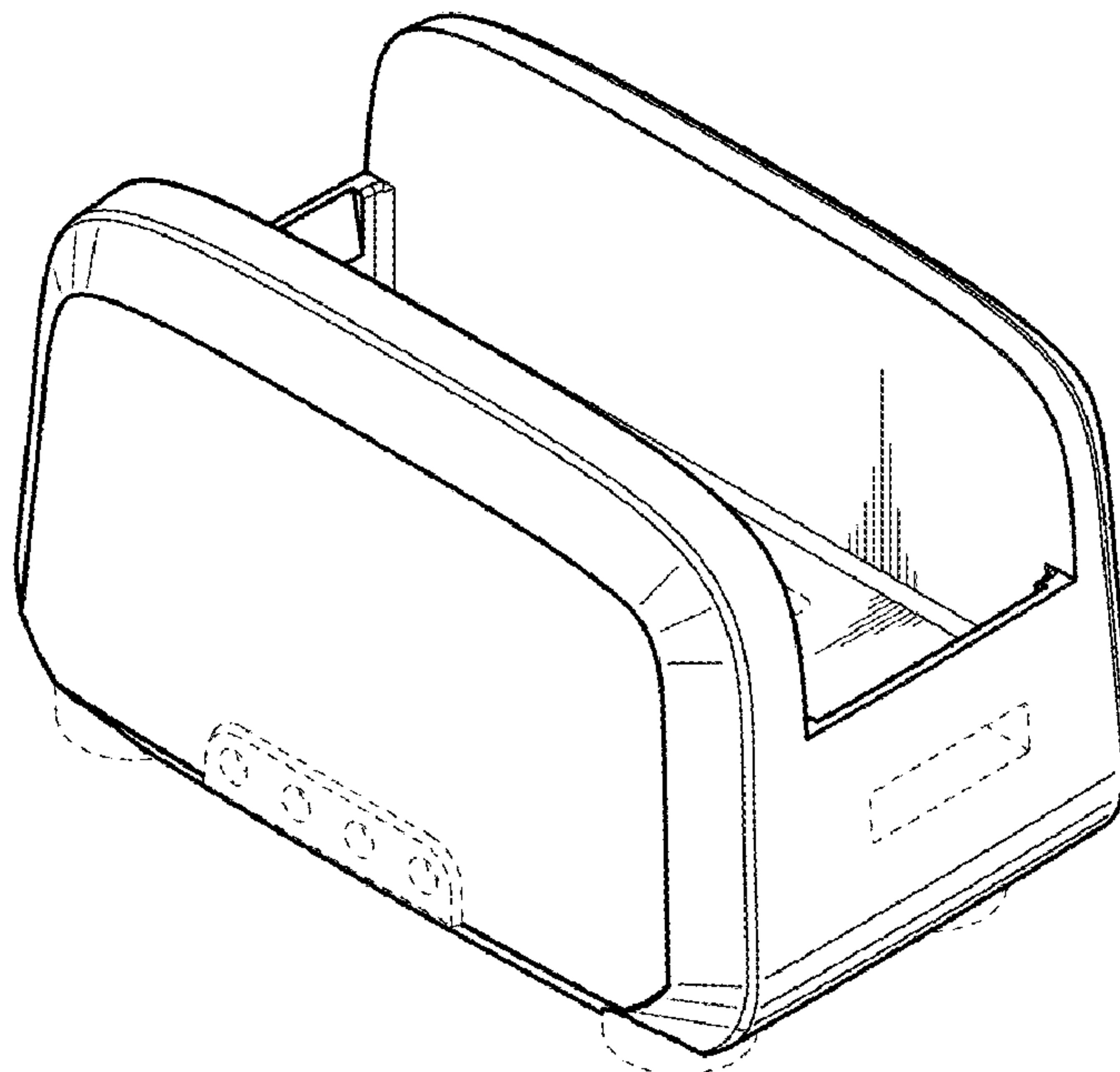
FIG. 6 is a left side view thereof;

FIG. 7 is a rear view thereof; and,

FIG. 8 is a bottom view thereof.

The broken lines in the figures depict portions of the battery charger which form no part of the claimed design.

1 Claim, 3 Drawing Sheets



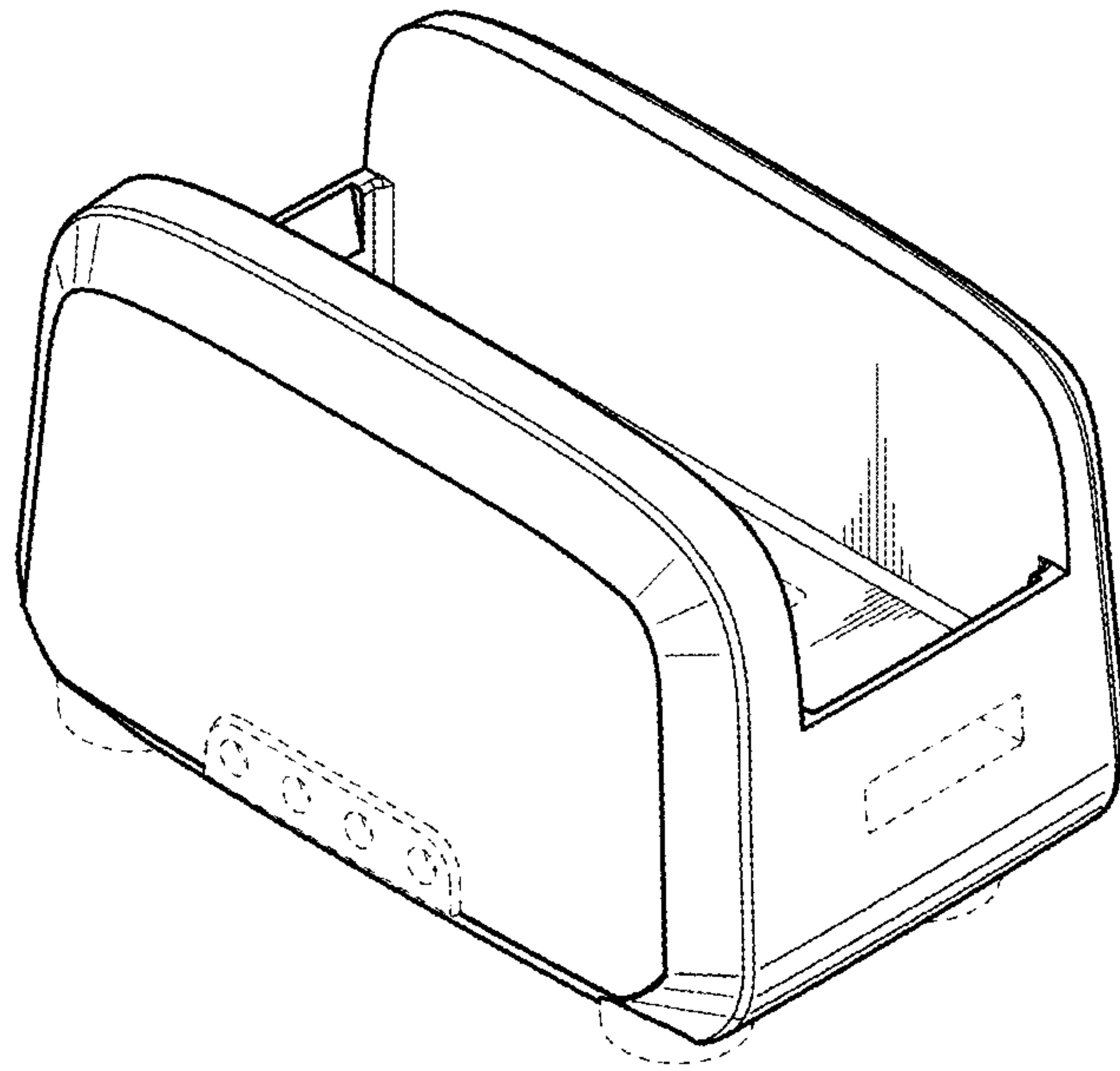


FIG. 1

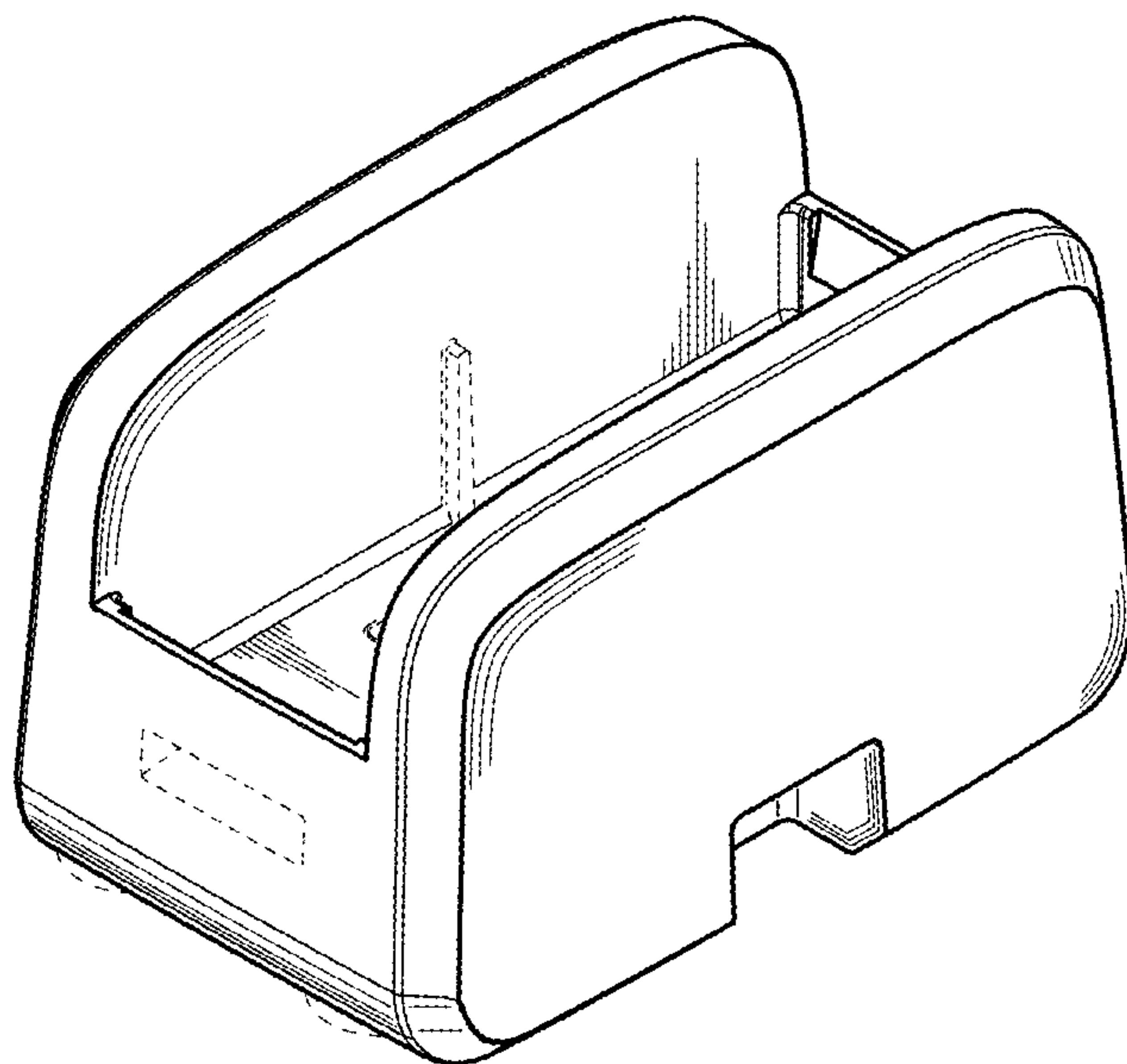


FIG. 2

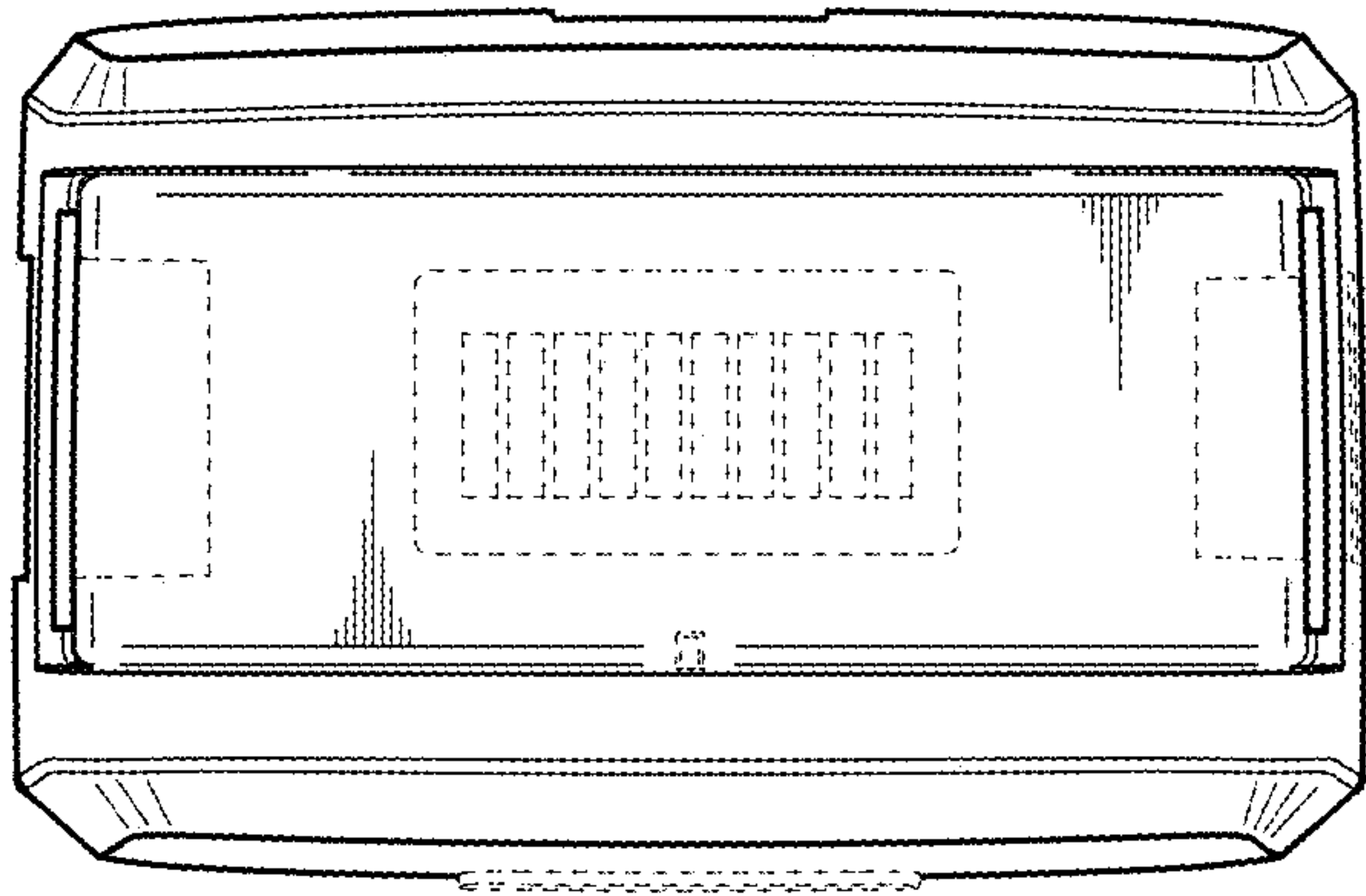


FIG. 3

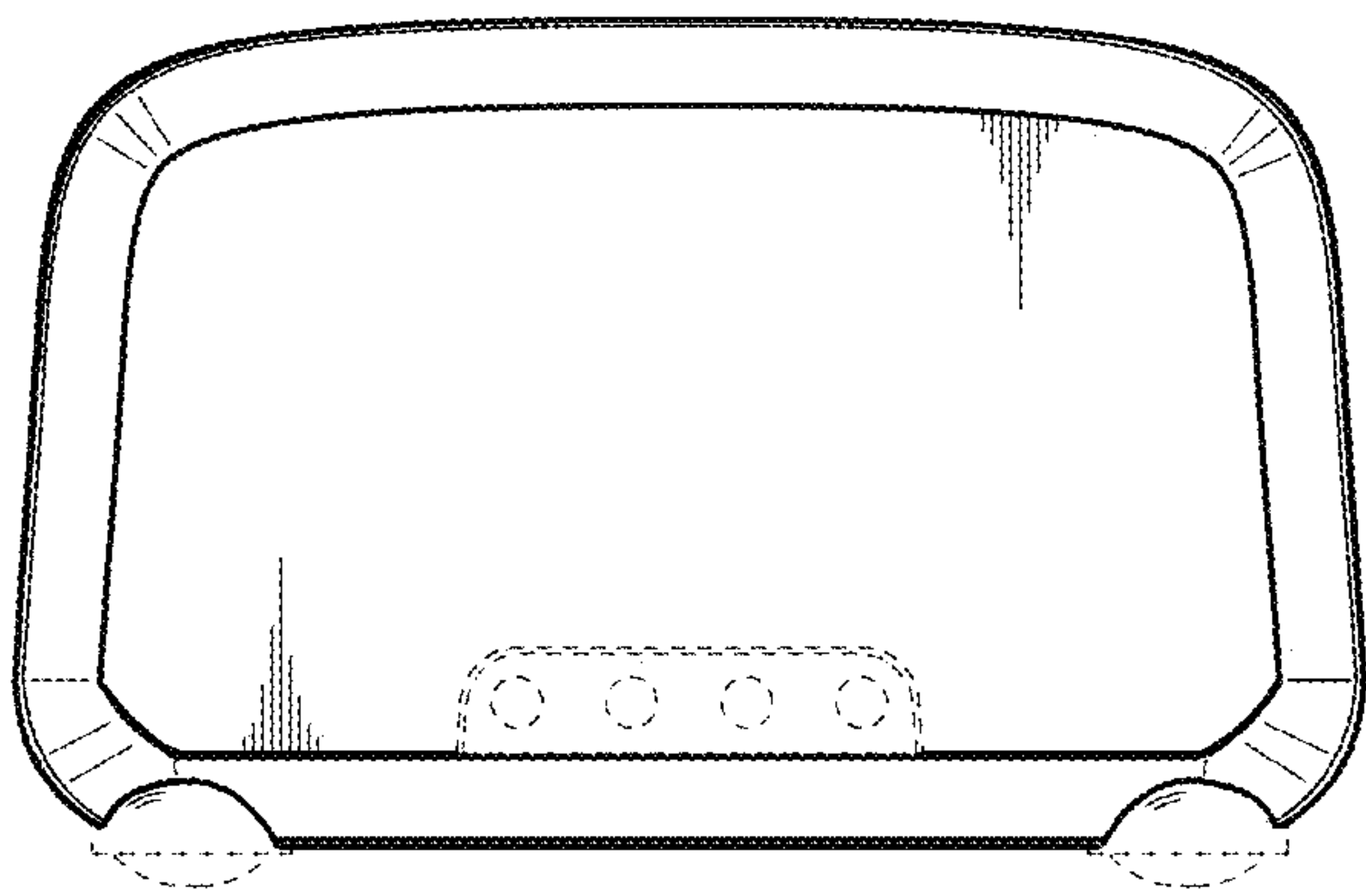


FIG. 4

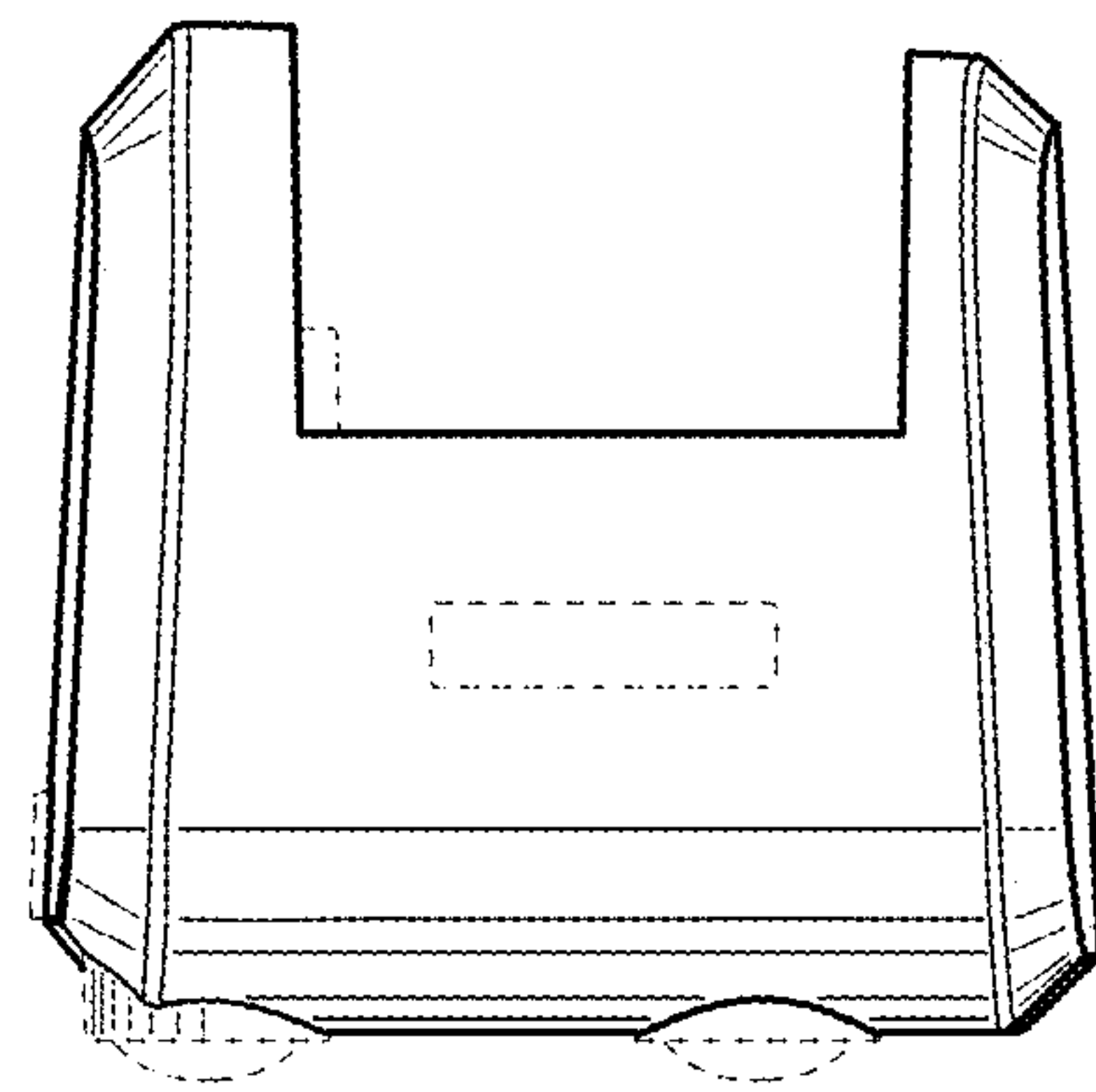


FIG. 5

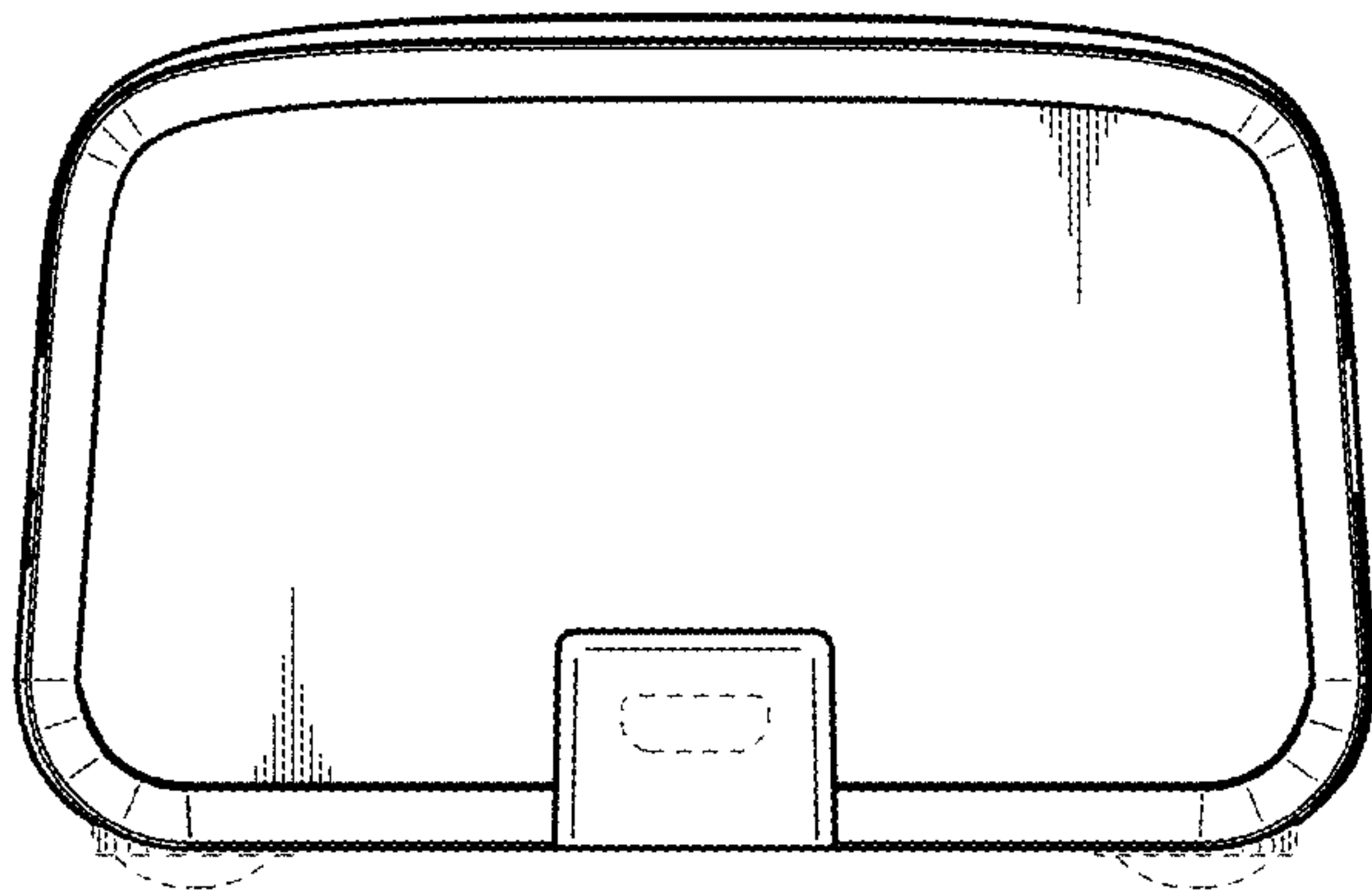


FIG. 7

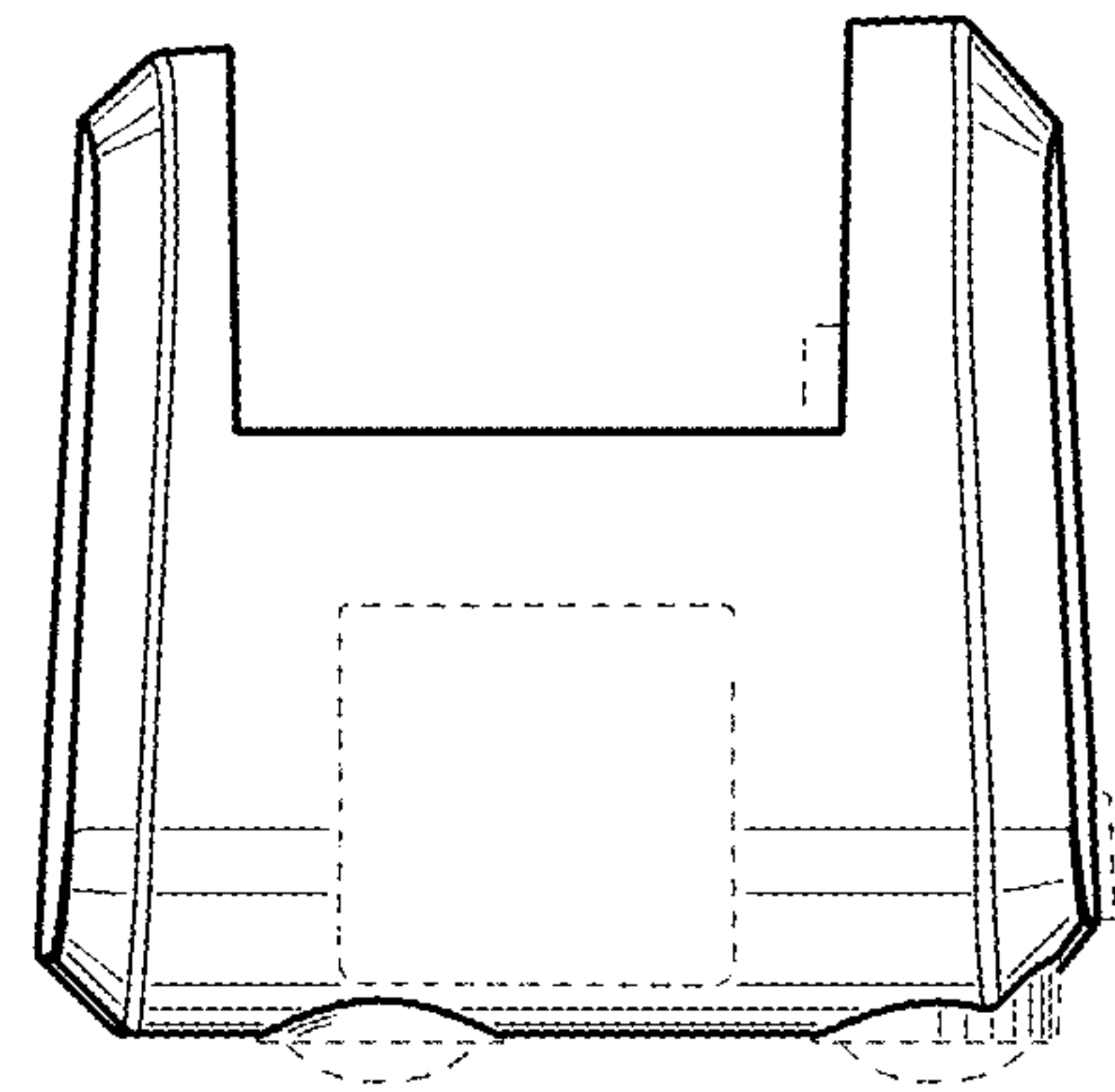


FIG. 6

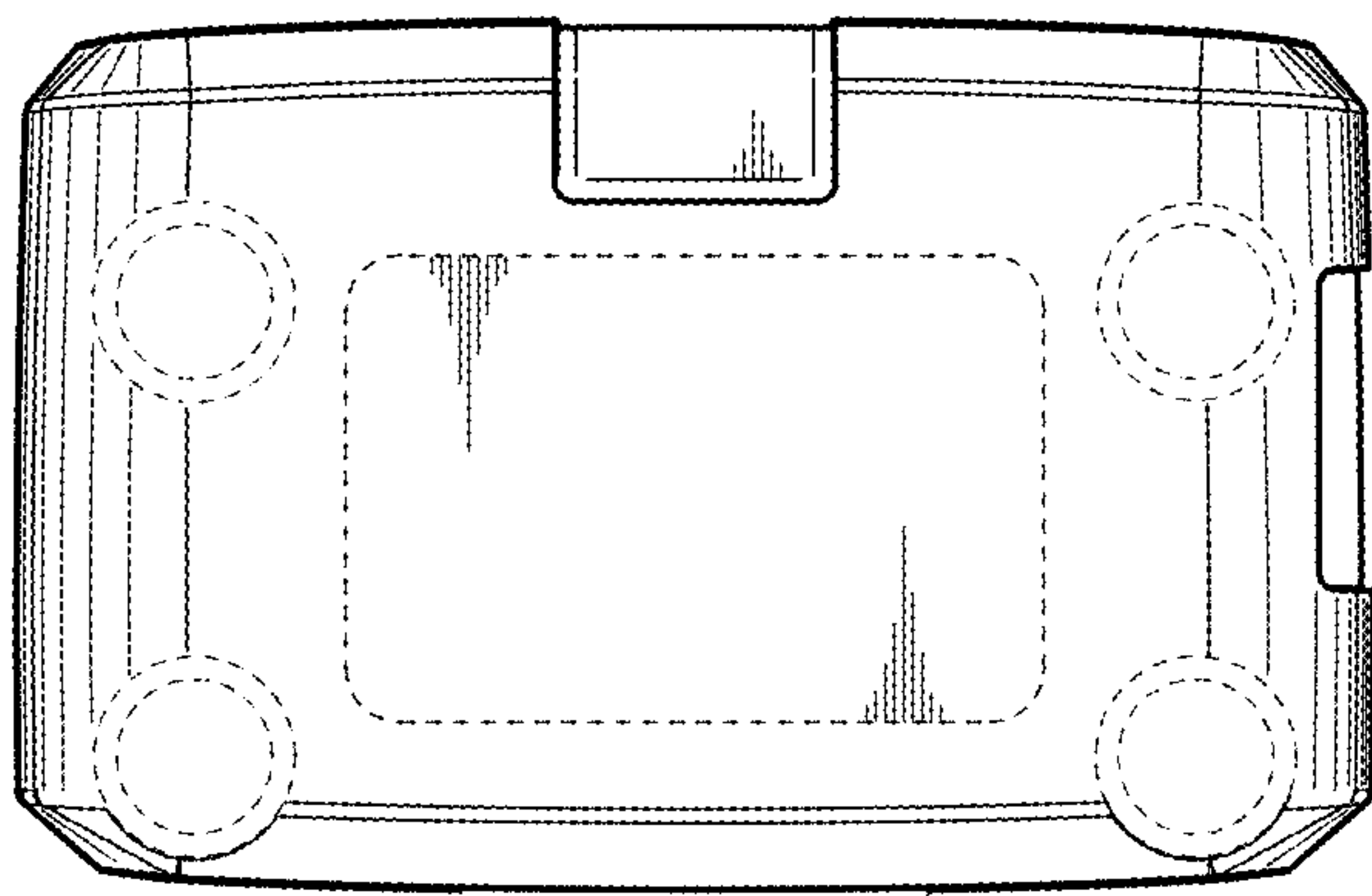


FIG. 8