



US00D954638S

(12) **United States Design Patent**
Liu

(10) **Patent No.:** **US D954,638 S**
(45) **Date of Patent:** **** Jun. 14, 2022**

- (54) **TIRE**
- (71) Applicant: **Trademark, LLC**, La Mirada, CA (US)
- (72) Inventor: **Zhao Liu**, NanJing (CN)
- (73) Assignee: **Trademark, LLC**, La Mirada, CA (US)
- (**) Term: **15 Years**
- (21) Appl. No.: **29/741,445**
- (22) Filed: **Jul. 13, 2020**

- D530,266 S 10/2006 Hutz et al.
- D531,110 S 10/2006 Miyazaki et al.
- D549,155 S 8/2007 Umstot et al.
- D549,156 S 8/2007 Umstot et al.
- D558,664 S 1/2008 HerbeuVal et al.
- D563,311 S 3/2008 Brainerd, II et al.
- D580,347 S 11/2008 Lo
- D591,225 S 4/2009 Ashton et al.
- D594,401 S 6/2009 Guidry
- D597,474 S 8/2009 Yamakawa et al.
- D601,939 S 10/2009 Fontaine et al.
- D606,002 S 12/2009 Yamakawa et al.
- D610,532 S 2/2010 Brainerd, II et al.
- D610,975 S 3/2010 Osaka

(Continued)

Related U.S. Application Data

- (63) Continuation of application No. 29/678,705, filed on Jan. 30, 2019, now Pat. No. Des. 890,080.
- (51) **LOC (13) Cl.** **12-15**
- (52) **U.S. Cl.**
USPC **D12/605**
- (58) **Field of Classification Search**
USPC D12/568-605, 900
CPC Y10T 152/10027; B60C 1/0016; B60C 11/0306; B60C 11/0302; B60C 3/06; B60C 9/17
See application file for complete search history.

OTHER PUBLICATIONS

Atturo Tyres, 2015 Catalog, Published in United States, 2015.
Atturo Tyres, 2017 Catalog, Published in United States, 2017.

Primary Examiner — John A Voytek

(74) *Attorney, Agent, or Firm* — Akerman LLP; Peter A. Chiabotti

(57) **CLAIM**

The ornamental design for a tire, as shown and described.

DESCRIPTION

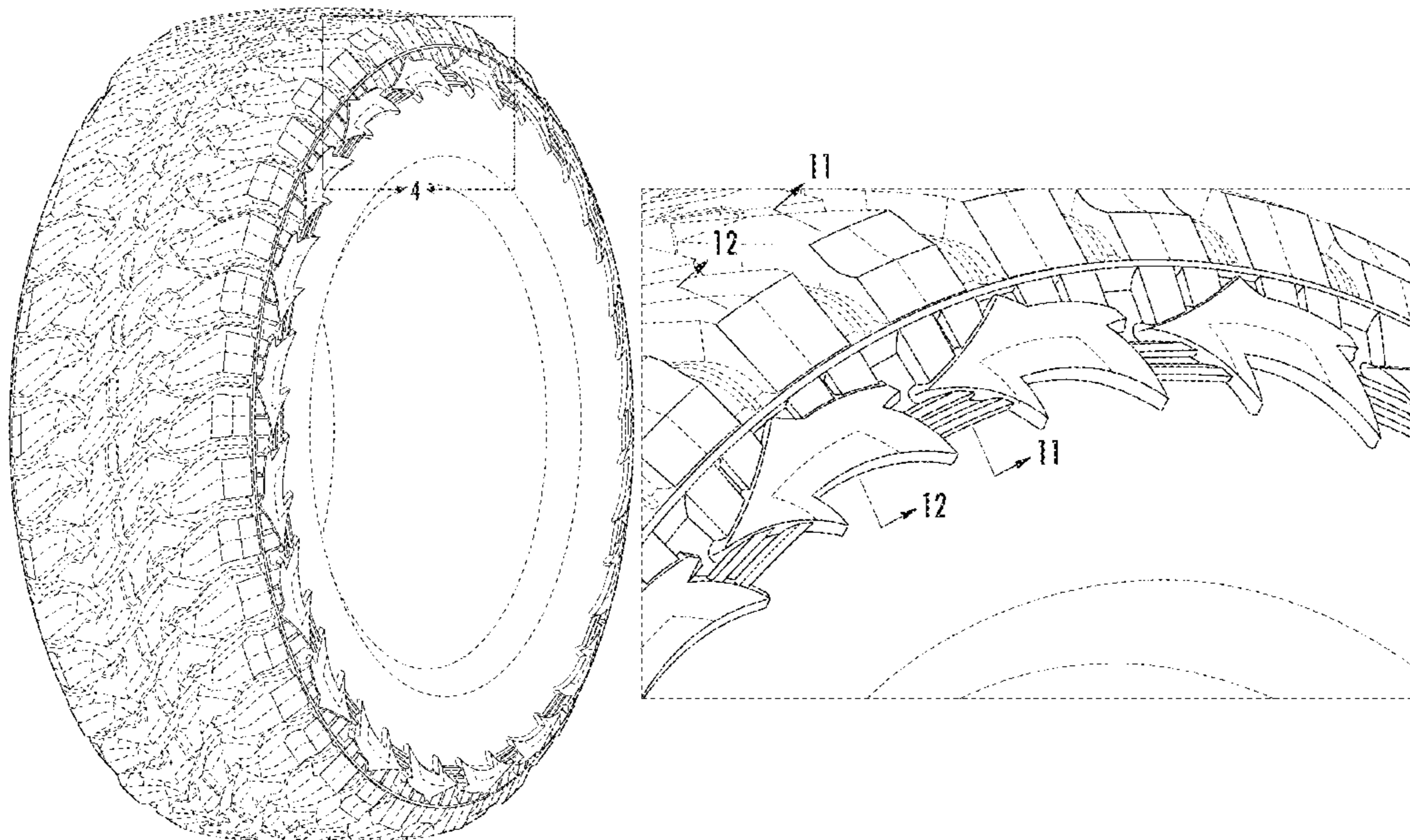
FIG. 1 is a perspective view of my design;
FIG. 2 is a side view thereof;
FIG. 3 is a front view thereof;
FIG. 4 is an enlarged front-top perspective view thereof;
FIG. 5 is an enlarged sectional view taken along line 11-11 of FIG. 3; and,
FIG. 6 is an enlarged sectional view taken along line 12-12 of FIG. 3.
The portions shown in broken lines form no part of the claimed design.

1 Claim, 5 Drawing Sheets

(56) **References Cited**

U.S. PATENT DOCUMENTS

- D157,953 S 4/1950 Hawkinson
- D158,031 S 4/1950 Wilcox
- D412,472 S 8/1999 Brown et al.
- D432,956 S 10/2000 Riquet
- D447,097 S 8/2001 Grass et al.
- D459,289 S 6/2002 Lo
- D469,737 S 2/2003 Guidry
- D483,718 S 12/2003 Hutz et al.
- D490,045 S 5/2004 Delu et al.
- D495,294 S 8/2004 Ochi et al.
- D505,386 S 5/2005 Maxwell et al.



(56)

References Cited

U.S. PATENT DOCUMENTS

D610,976 S	3/2010	Osaka	D777,652 S	1/2017	Lippert et al.
D610,977 S	3/2010	Osaka	D777,655 S	1/2017	Martin
D612,321 S	3/2010	Bott et al.	D778,230 S	2/2017	Haanketo et al.
D612,797 S	3/2010	Lo	D778,233 S	2/2017	Kuwano
D615,031 S	5/2010	Osaka	D778,814 S	2/2017	Sato
D626,910 S	11/2010	Bott et al.	D780,091 S	2/2017	Colletti et al.
D634,261 S	3/2011	Schmalix et al.	D780,103 S	2/2017	Sareen
D638,354 S	5/2011	Strader et al.	D781,226 S	3/2017	Mathis
D643,805 S	8/2011	Lundgren	D782,970 S	4/2017	Sato
D648,668 S	11/2011	Kujime	D784,910 S	4/2017	Hayashi
D650,322 S	12/2011	Takahashi	D784,911 S	4/2017	Hayashi
D651,160 S	12/2011	Jacobs	D784,912 S	4/2017	Hayashi
D653,195 S	1/2012	Sareen	D785,544 S	5/2017	Hayashi
D653,200 S	1/2012	Kuwano	D786,176 S	5/2017	Colletti et al.
D660,786 S	5/2012	Yokomakura	D786,776 S	5/2017	Aoki
D663,259 S	7/2012	Umstot et al.	D786,784 S	5/2017	Mathis
D663,682 S	7/2012	Ohara	D789,280 S	6/2017	Sanae
D664,915 S	8/2012	Maxwell et al.	D791,684 S	7/2017	Takei et al.
D666,964 S	9/2012	Ishida et al.	D792,323 S	7/2017	Colletti et al.
D667,360 S	9/2012	Ishida et al.	D795,149 S	8/2017	Digman et al.
D668,209 S	10/2012	De Benedittis et al.	D795,163 S	8/2017	Digman et al.
D676,801 S	2/2013	Scheifele	D795,179 S *	8/2017	Itoi D12/605
D696,182 S	12/2013	Sakamoto	D798,224 S	9/2017	Zhang et al.
D710,291 S	8/2014	Mosko	D795,797 S	10/2017	Sato
D712,820 S	9/2014	Hutz	D799,413 S	10/2017	Sato
D716,217 S	10/2014	Rittweger	D799,415 S	10/2017	Sato
D717,726 S	11/2014	Buchinger-Barnstorf	D799,416 S	10/2017	Sato
D727,248 S	4/2015	Reim et al.	D800,638 S	10/2017	Kwak
D729,150 S	5/2015	Jacobs et al.	D800,642 S	10/2017	Takahaski
D729,151 S	5/2015	Kim	D800,645 S *	10/2017	Tokizaki D12/605
D729,724 S	5/2015	Mathis	D804,404 S	12/2017	Shondel
D730,272 S	5/2015	Fleckner	D805,469 S	12/2017	Sato et al.
D733,039 S	6/2015	Sareen	D806,006 S	12/2017	Ronan et al.
D734,712 S	7/2015	Kuwano et al.	D806,641 S	1/2018	Fujioka
D736,145 S	8/2015	Jacobs et al.	D811,319 S	2/2018	Haas et al.
D736,699 S *	8/2015	Dixon D12/605	D815,583 S	4/2018	Iwamura
D738,815 S	9/2015	Dixon et al.	D815,586 S	4/2018	Sareen
D743,878 S	11/2015	Mathis	D815,591 S	4/2018	Rogers et al.
D744,415 S	12/2015	Kawaki et al.	D816,020 S	4/2018	Umstot et al.
D755,112 S	3/2016	Jingjing et al.	D821,294 S	6/2018	Franklin et al.
D753,583 S	4/2016	Hao et al.	D826,144 S	8/2018	Ishigaki
D753,584 S	4/2016	Mathis	D827,562 S	9/2018	Rogers et al.
D757,643 S	5/2016	Dixon et al.	D833,381 S	11/2018	Fujioka
D758,285 S	6/2016	Wen et al.	D834,512 S	11/2018	Sakamoto
D763,786 S	8/2016	Mathis	D838,660 S	1/2019	Hiser
D765,019 S	8/2016	Chen et al.	D842,235 S	3/2019	Shondel
D767,474 S	9/2016	Reim et al.	D842,335 S	3/2019	Shondel
D768,054 S	10/2016	Wang et al.	D848,942 S	5/2019	Scheifele et al.
D768,065 S	10/2016	Takahashi et al.	D852,733 S	7/2019	Kuwano
D768,564 S	10/2016	Kuwano	D862,373 S	10/2019	Zhao
D769,181 S	10/2016	Sato et al.	D891,358 S *	7/2020	Kuwahara D12/605
D769,793 S	10/2016	Haanketo et al.	D891,359 S	7/2020	Tokizaki et al.
D769,794 S	10/2016	Kujime et al.	D894,821 S	9/2020	Petr
D773,381 S	12/2016	Chen	D897,277 S	9/2020	Shondel et al.
D774,447 S	12/2016	Mathis	D907,571 S *	1/2021	Shondel D12/605
D775,065 S	12/2016	Hanlon	D932,993 S *	10/2021	Scheifele D12/605
D776,046 S	1/2017	Dixon	2010/0043934 A1 *	2/2010	Harvey B60C 11/0304 152/209.16
D776,609 S	1/2017	Shondel	2010/0059157 A1	3/2010	Ashton

* cited by examiner

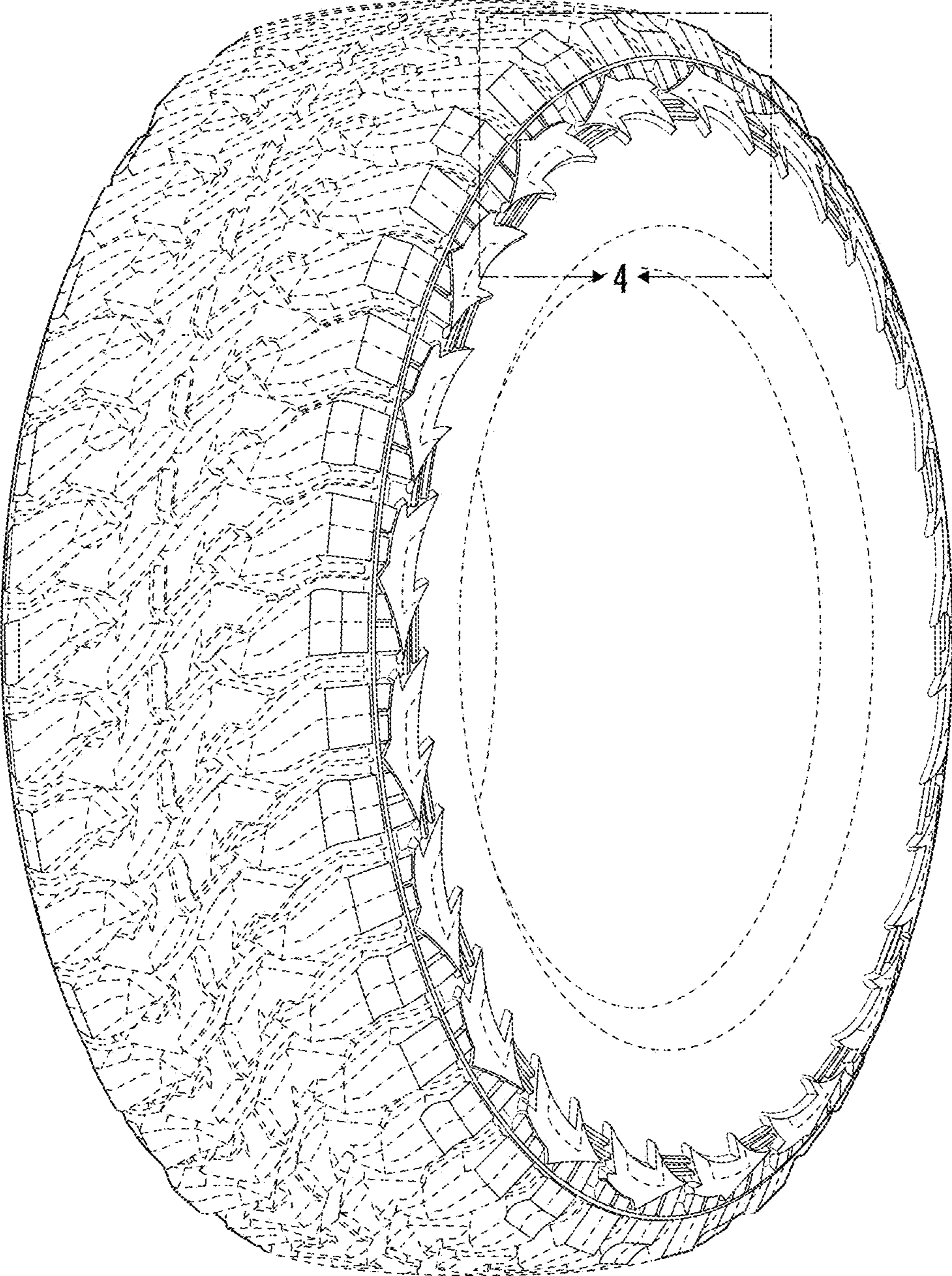


FIG. 1

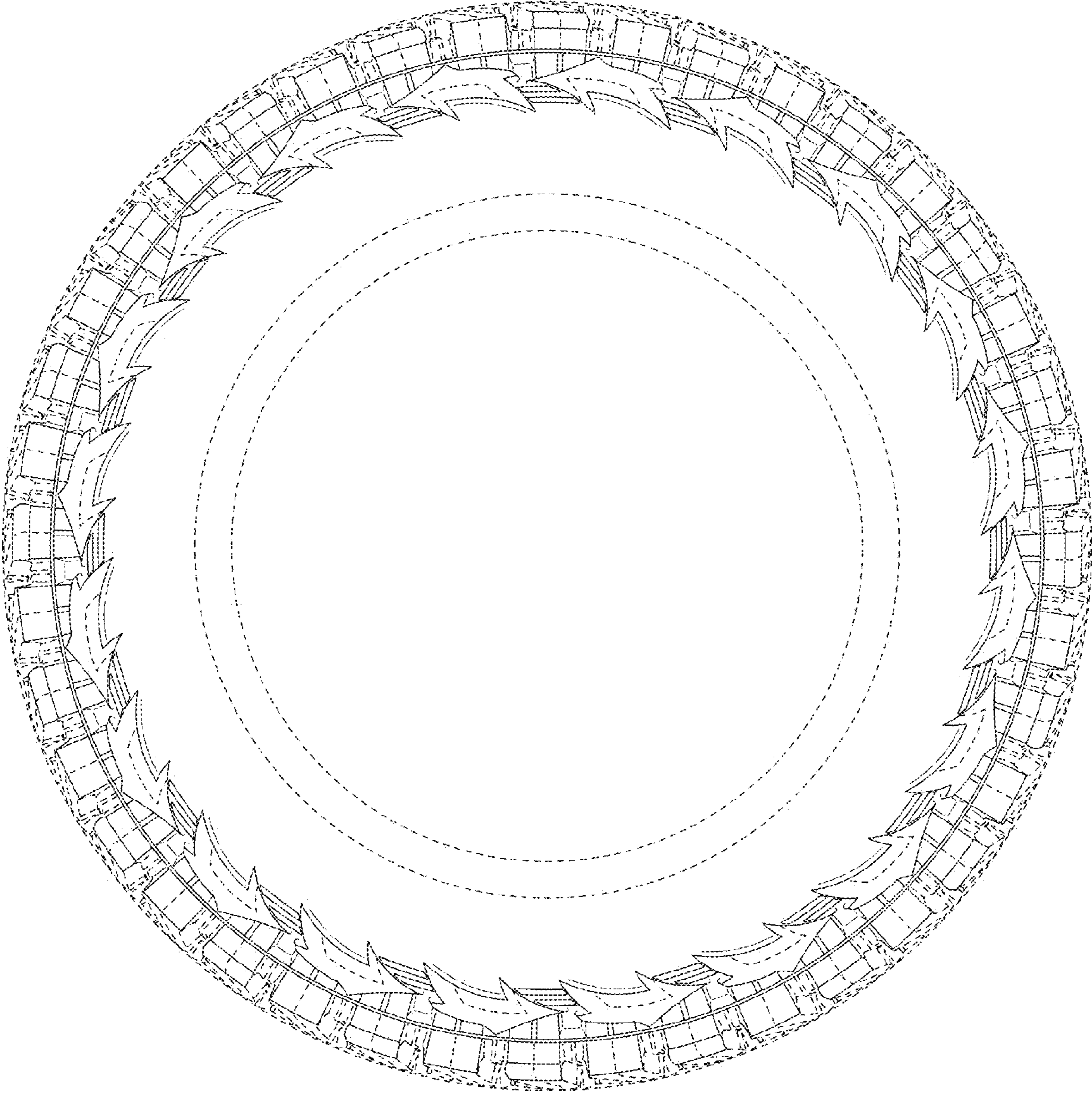


FIG. 2

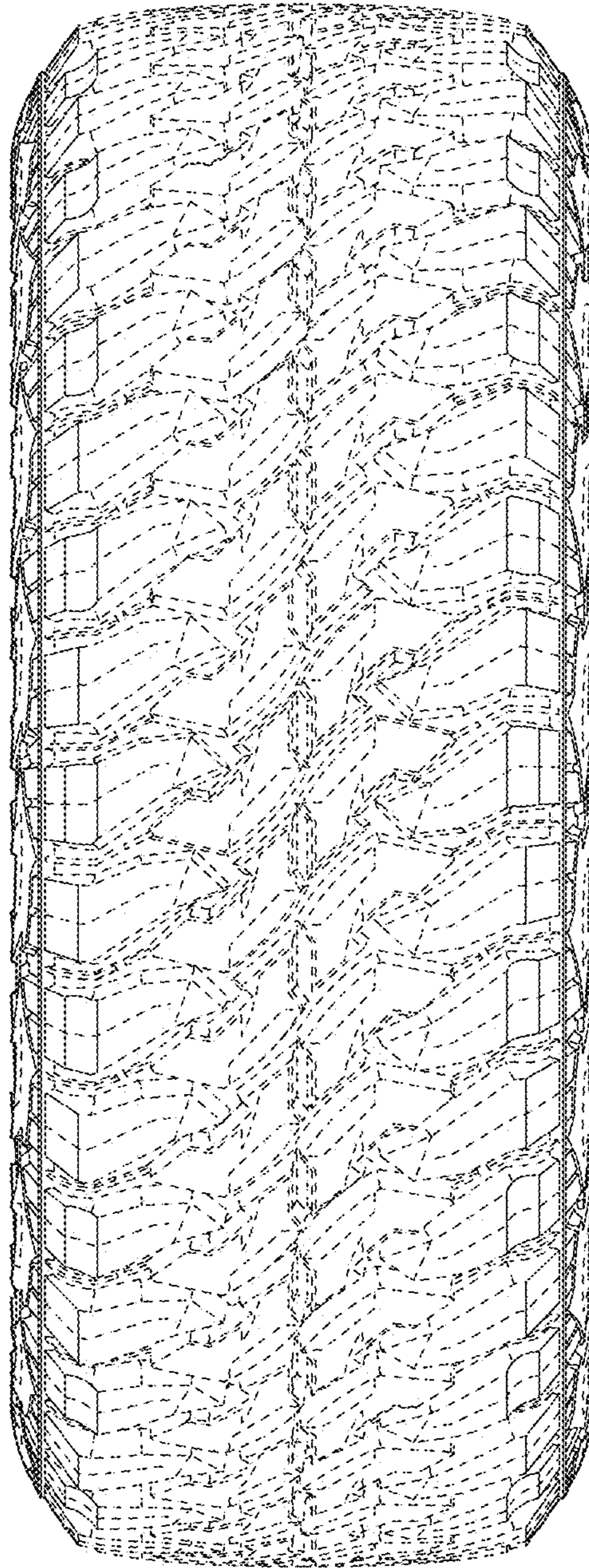


FIG. 3

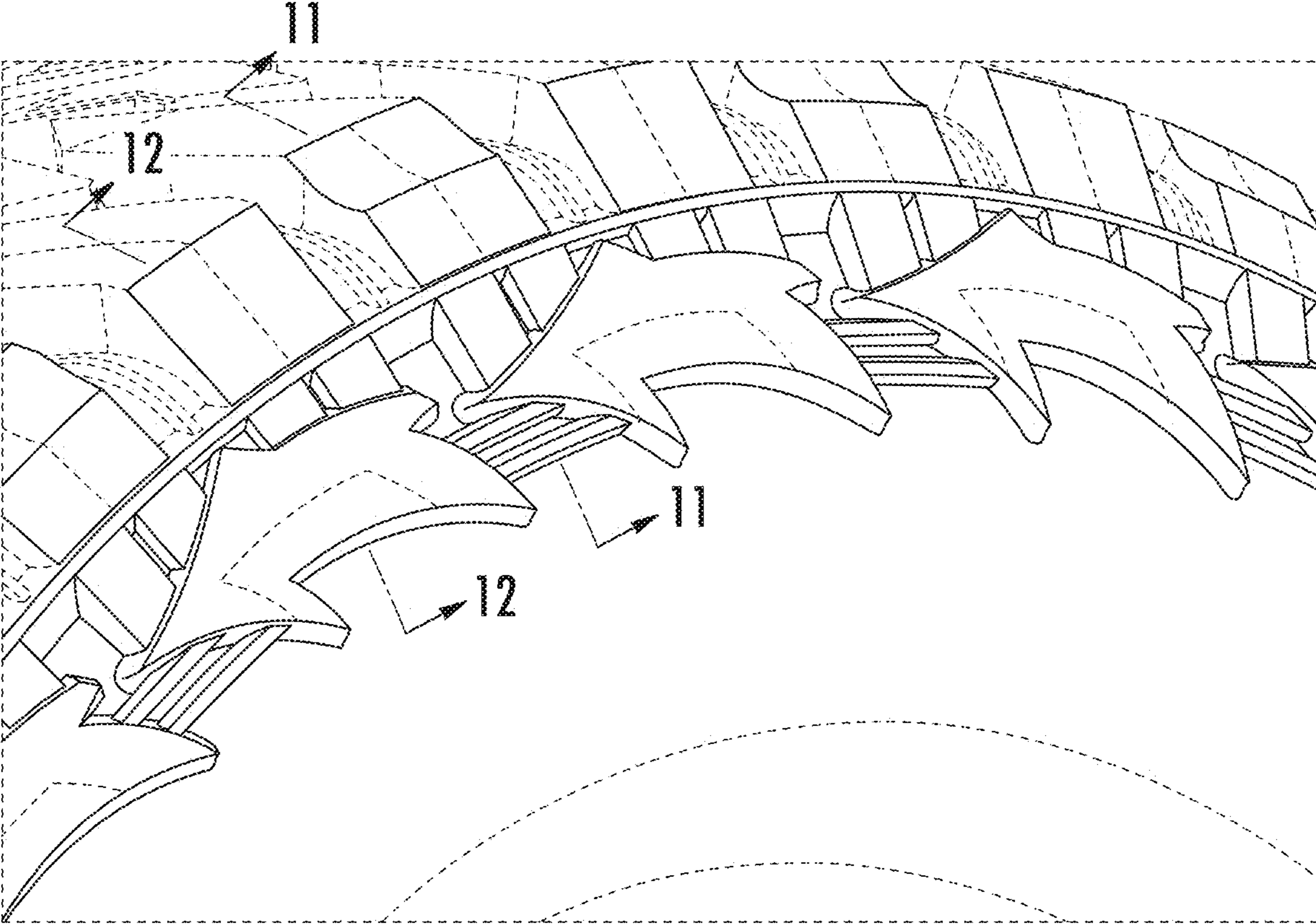


FIG. 4

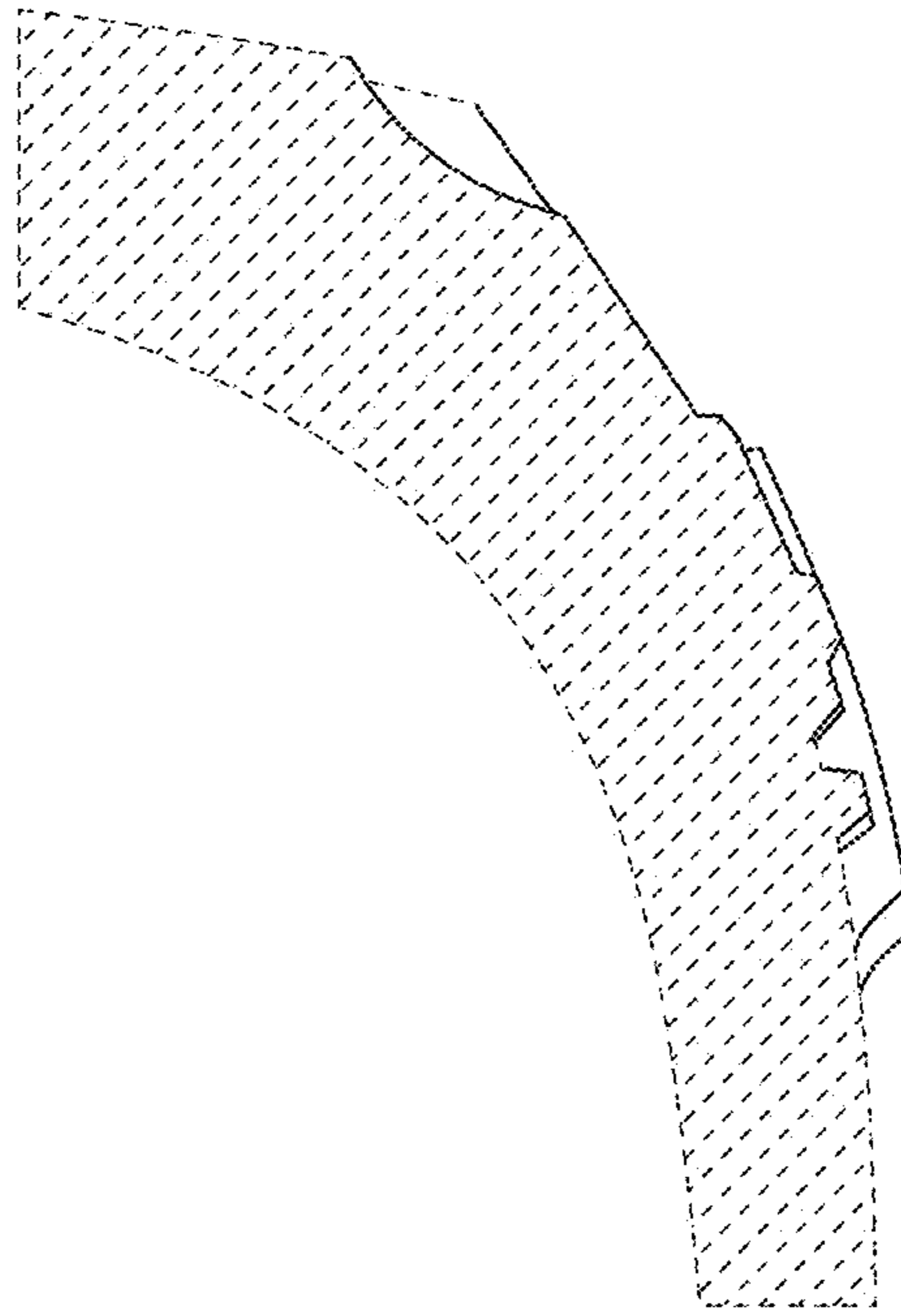


FIG. 5

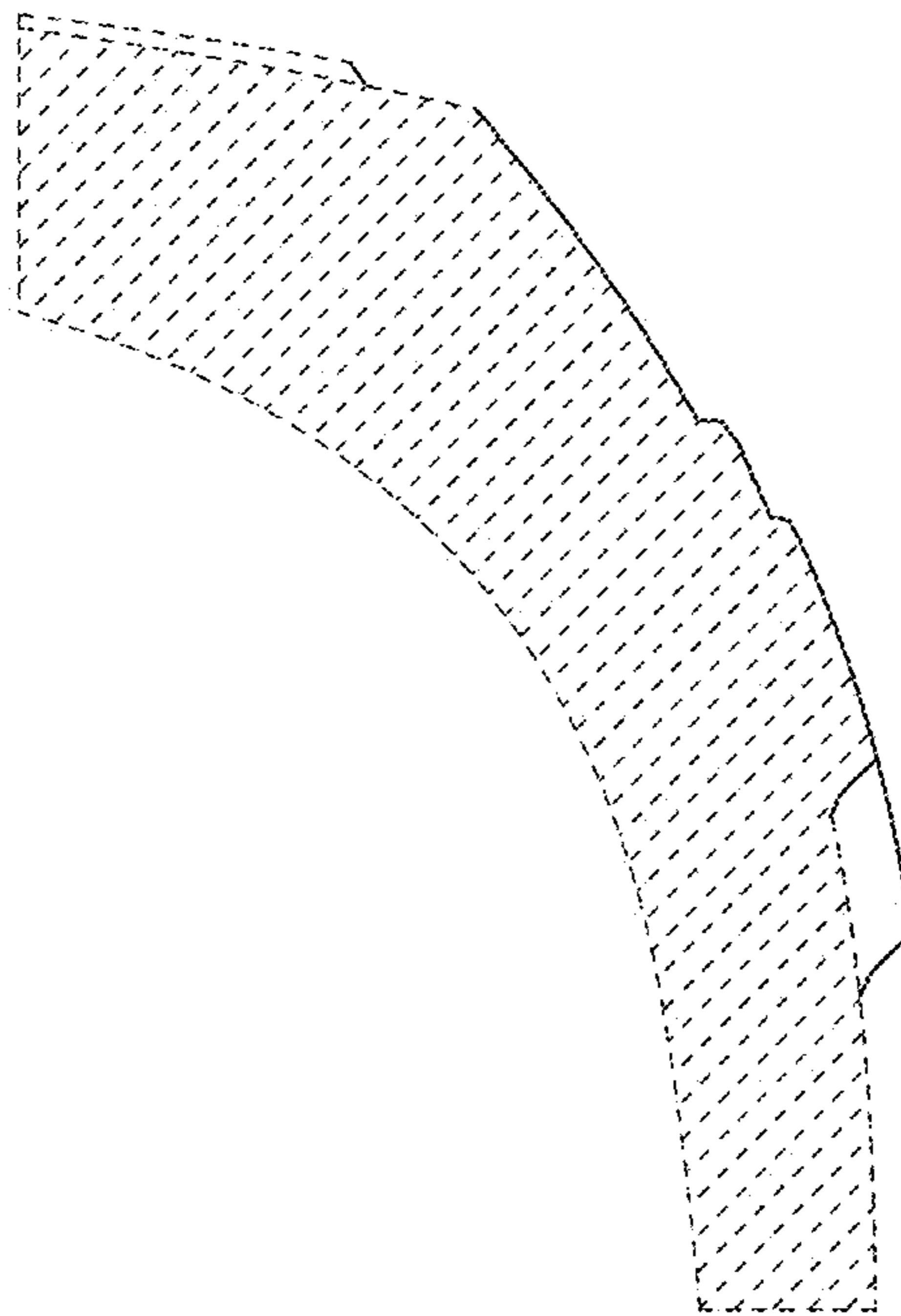


FIG. 6