



US00D954634S

(12) **United States Design Patent** (10) **Patent No.:** **US D954,634 S**
Notaro et al. (45) **Date of Patent:** **** *Jun. 14, 2022**

(54) **TIRE**

- (71) Applicant: **The Goodyear Tire & Rubber Company, Akron, OH (US)**
- (72) Inventors: **Vincent Joseph Notaro, Sagamore Hills, OH (US); David Michael Pribula, Alliance, OH (US)**
- (73) Assignee: **The Goodyear Tire & Rubber Company, Akron, OH (US)**
- (*) Notice: This patent is subject to a terminal disclaimer.
- (**) Term: **15 Years**

- (21) Appl. No.: **29/735,981**
- (22) Filed: **May 27, 2020**
- (51) **LOC (13) Cl.** **12-15**
- (52) **U.S. Cl.**
USPC **D12/588**
- (58) **Field of Classification Search**
USPC D12/568-605, 900
CPC Y10T 152/10027; B60C 1/0016; B60C 11/0306; B60C 11/0302; B60C 3/06; B60C 9/17
See application file for complete search history.

(56) **References Cited**

U.S. PATENT DOCUMENTS

D419,115 S	1/2000	Weber et al.
D419,928 S	2/2000	Blankenship
D421,584 S	3/2000	Lovell et al.
D422,246 S	4/2000	Fierro et al.
D426,178 S	6/2000	Weber et al.
D455,997 S	4/2002	Fierro et al.
D458,897 S	6/2002	Weber et al.
D490,045 S	5/2004	Delu

(Continued)

OTHER PUBLICATIONS

U.S. Appl. No. 29/686,438, filed Apr. 4, 2019, Shondel, et al., Goodyear.
(Continued)

Primary Examiner — John A Voytek
(74) *Attorney, Agent, or Firm* — Robert N. Lipsik; June E. Rickey

(57) **CLAIM**

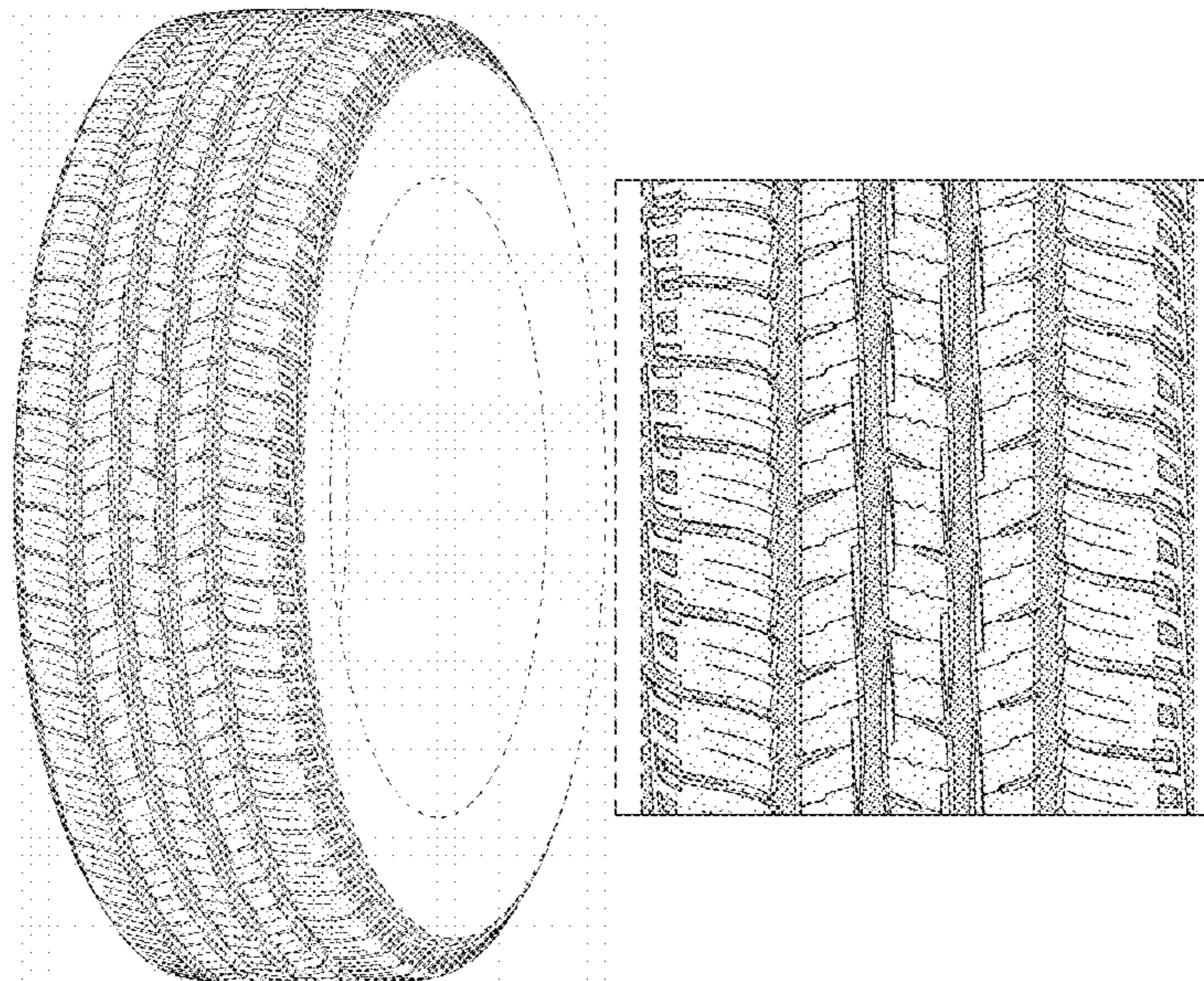
The ornamental Design for a tire, as shown and described.

DESCRIPTION

FIG. 1 is a perspective view of a tire showing our new design, it being understood that the pattern repeats uniformly throughout the circumference of the tread;
 FIG. 2 is a front elevational view thereof;
 FIG. 3 is a right side elevational view thereof; the left side elevational view being identical thereto;
 FIG. 4 is an enlarged fragmentary front elevational view thereof taken along Line 4-4 of FIG. 2;
 FIG. 5 is a perspective view of a second embodiment of a tire showing our new design, it being understood that the interior of the tire forms no part of the claim, that the pattern repeats uniformly throughout the circumference of the tread and that the opposite side view is identical thereto; and,
 FIG. 6 is a front elevational view of a second embodiment, it being understood that an enlarged fragmentary view thereof would be substantially identical to that shown in FIG. 4, with the exception of the inclusion of the sidewall in the claim.

In the drawings, the broken lines immediately adjacent to the outer edges of the tire shoulder represent boundaries of the claim, and the broken lines depict environmental subject matter only and form no part of the claimed design. The dashed broken lines indicating an enlargement portion of the design form no part of the claimed design.

1 Claim, 6 Drawing Sheets



(56)

References Cited

U.S. PATENT DOCUMENTS

D560,600 S 1/2008 Dixon et al.
 D583,310 S 12/2008 Dixon et al.
 D584,213 S 1/2009 Shinkai
 D585,364 S 1/2009 Shondel et al.
 D586,733 S 2/2009 Shinohara
 D593,936 S 6/2009 Maxwell
 D593,937 S 6/2009 Maxwell et al.
 D604,692 S 11/2009 Ebiko et al.
 D619,958 S 7/2010 Maxwell
 D639,234 S 6/2011 Reim
 D669,024 S 10/2012 Oji
 D686,974 S 7/2013 Zhao
 D709,820 S 7/2014 Rohweder et al.
 D712,343 S 9/2014 Wakishima
 D713,325 S 9/2014 Maxwell et al.
 D713,330 S 9/2014 Tomida et al.
 D728,463 S 5/2015 Lindner et al.
 D736,697 S 8/2015 Leocadio et al.
 D756,295 S 5/2016 Pingonat et al.
 D756,900 S 5/2016 Kristen
 D757,641 S 5/2016 Kristen
 D758,288 S 6/2016 Kristen

D758,957 S 6/2016 Kuriyama
 D761,196 S 7/2016 Dixon et al.
 D764,390 S 8/2016 Umstot et al.
 D764,392 S 8/2016 Fu et al.
 D780,678 S 3/2017 Maxwell et al.
 D792,322 S 7/2017 Taniguchi
 D792,839 S 7/2017 Maxwell et al.
 D815,589 S 4/2018 Petr
 D819,555 S 6/2018 Schimmoeller, Jr.
 D822,585 S 7/2018 Wang et al.
 D822,588 S 7/2018 Skurich et al.
 D849,672 S 5/2019 Wang et al.
 D859,300 S 9/2019 Shondel et al.
 D863,213 S 10/2019 Baranger et al.
 D867,978 S 11/2019 Davenport
 D886,716 S * 6/2020 Pribula D12/582
 D886,717 S * 6/2020 Pribula D12/588

OTHER PUBLICATIONS

U.S. Appl. No. 29/694,468, filed Jun. 11, 2019, Roth, et al.,
 Goodyear.
 U.S. Appl. No. 29/706,666, filed Sep. 23, 2019, Pribula, Goodyear.

* cited by examiner

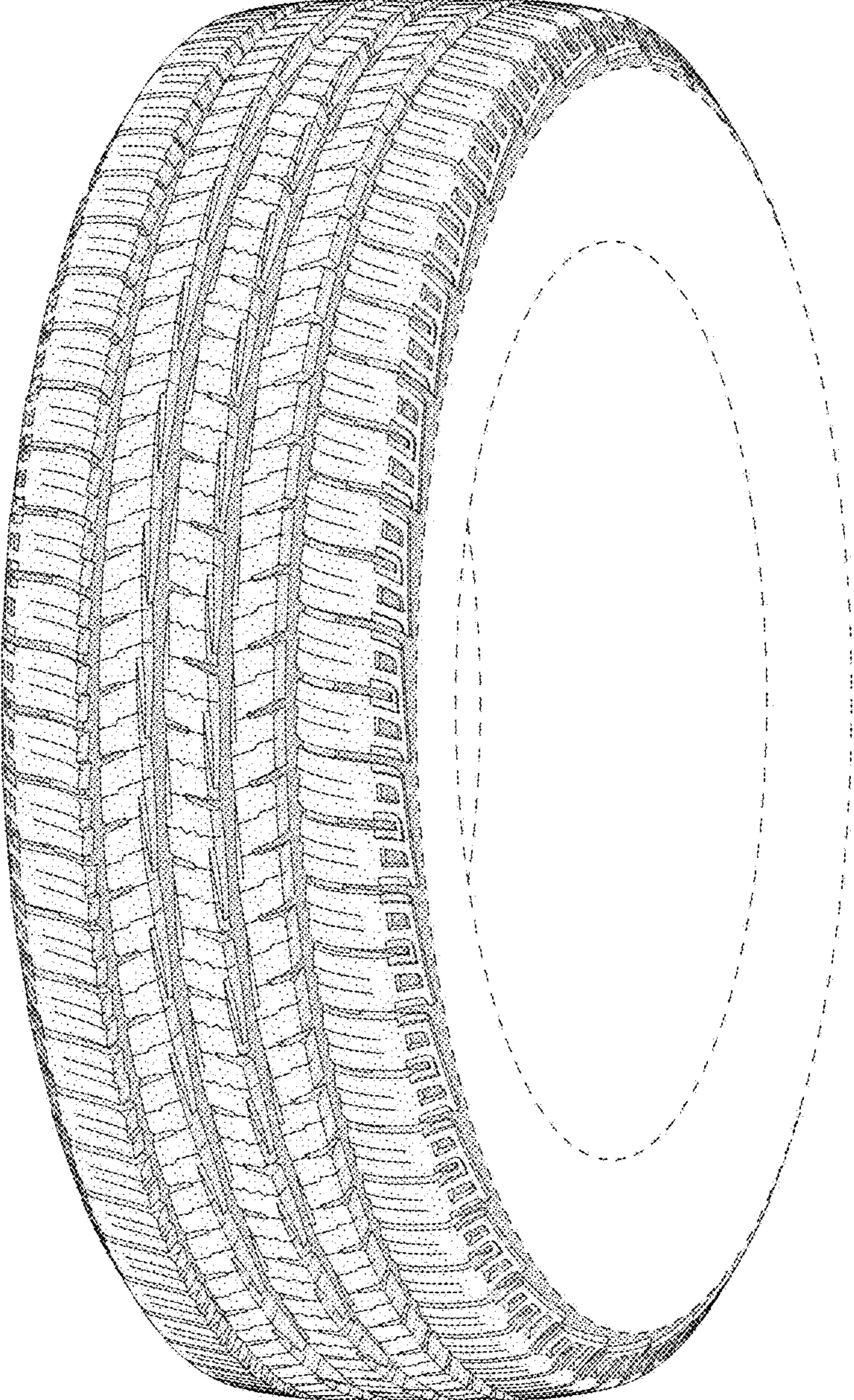


FIG - 1

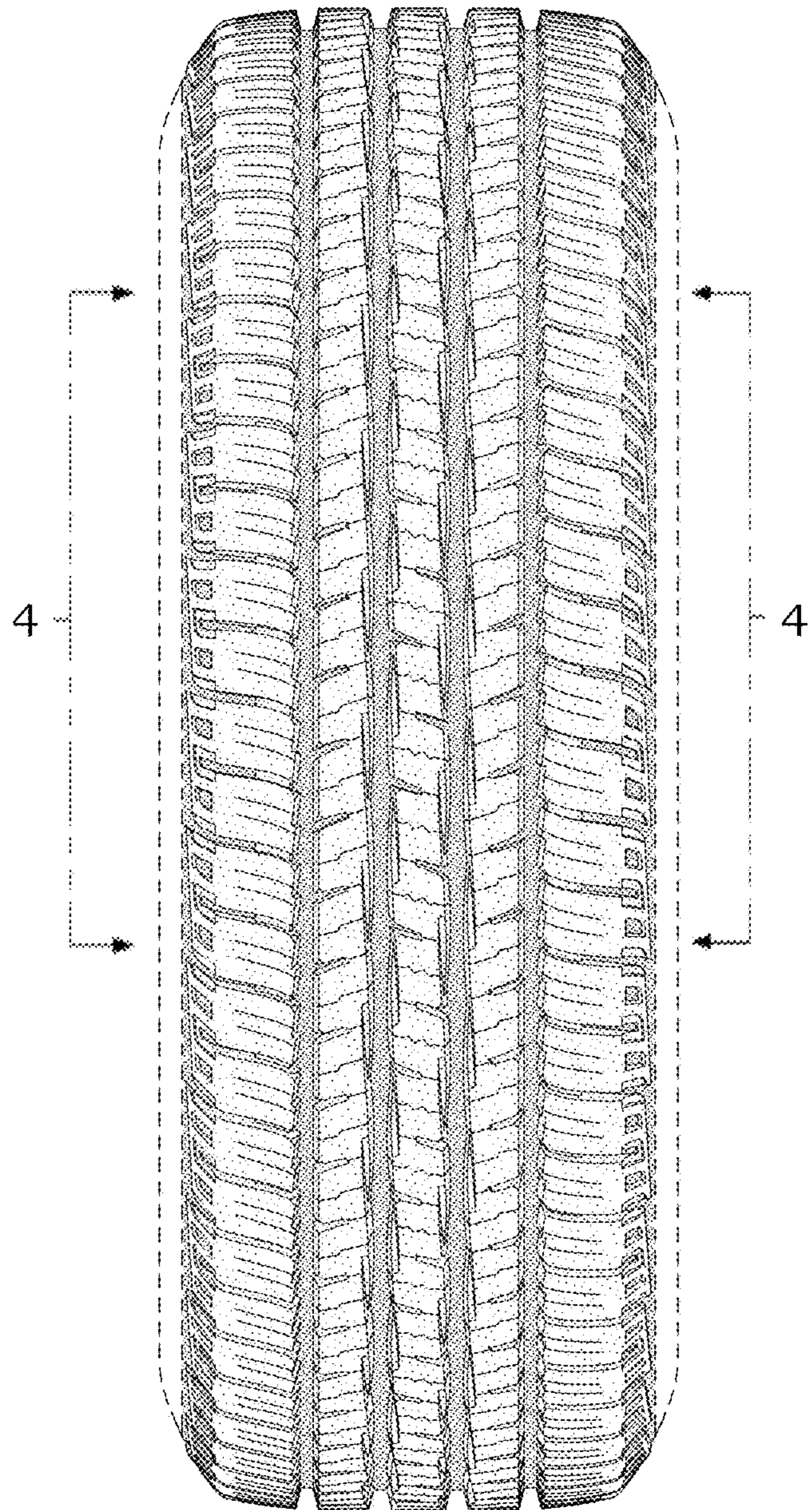


FIG - 2

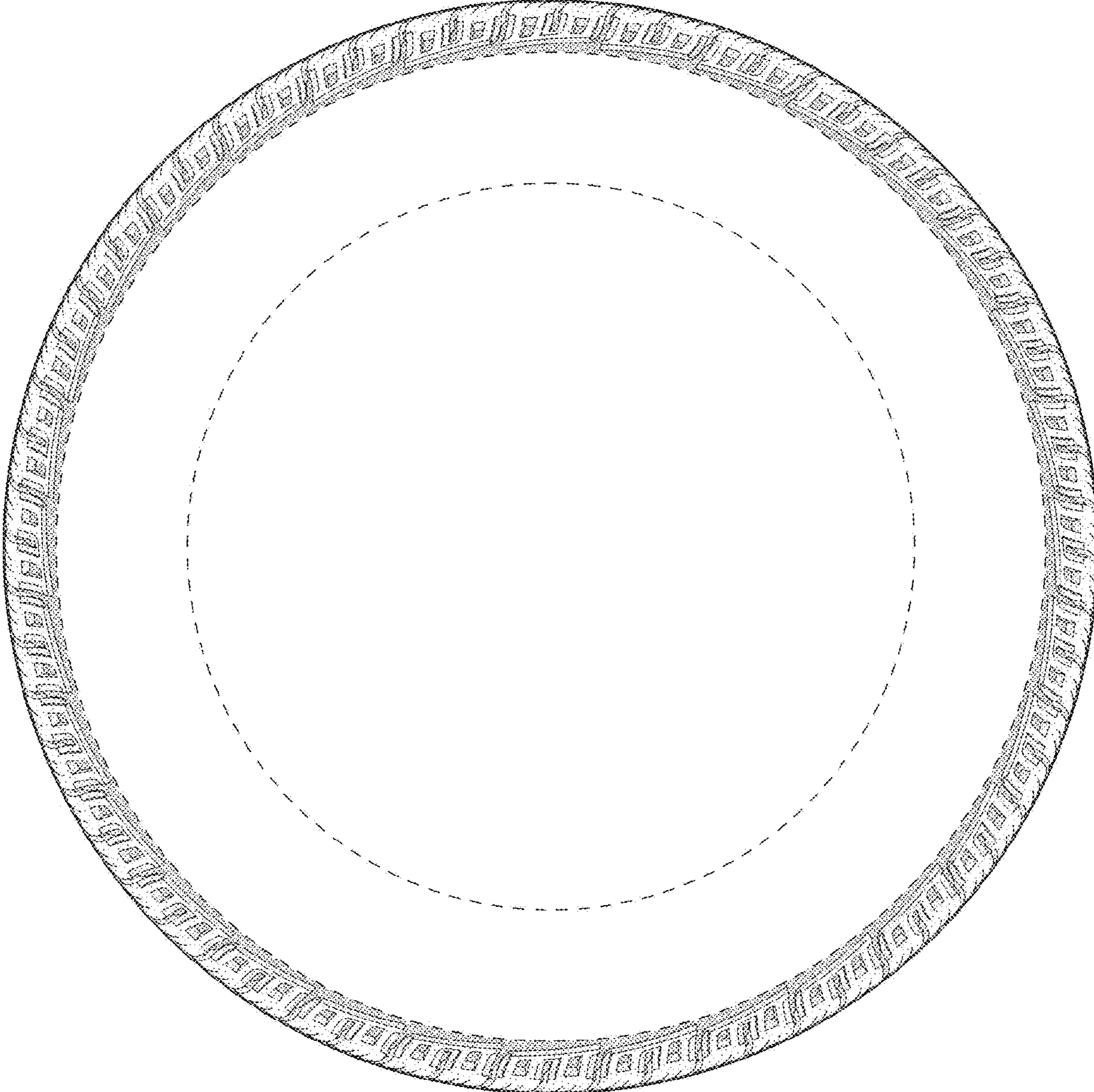


FIG - 3

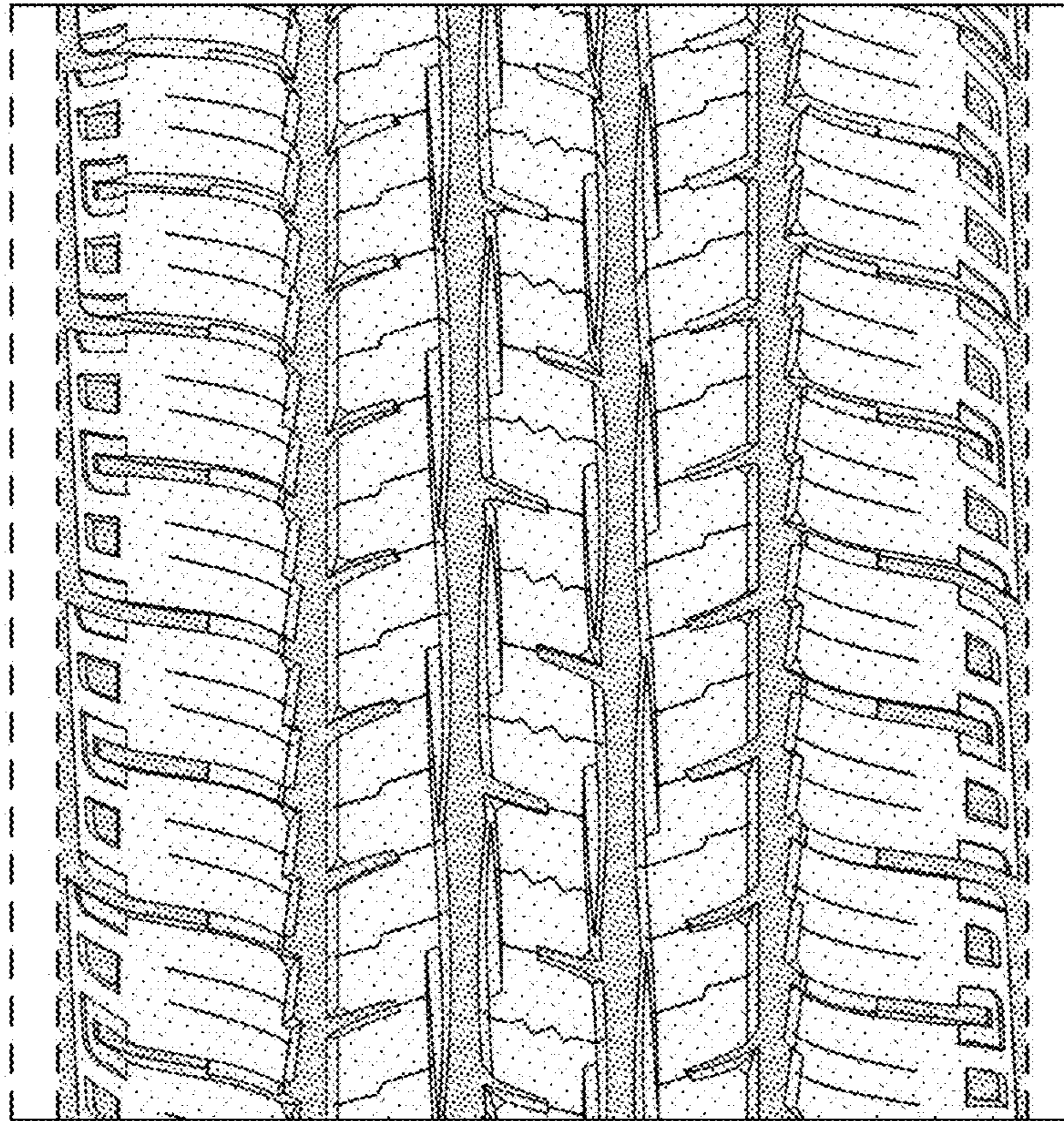


FIG - 4

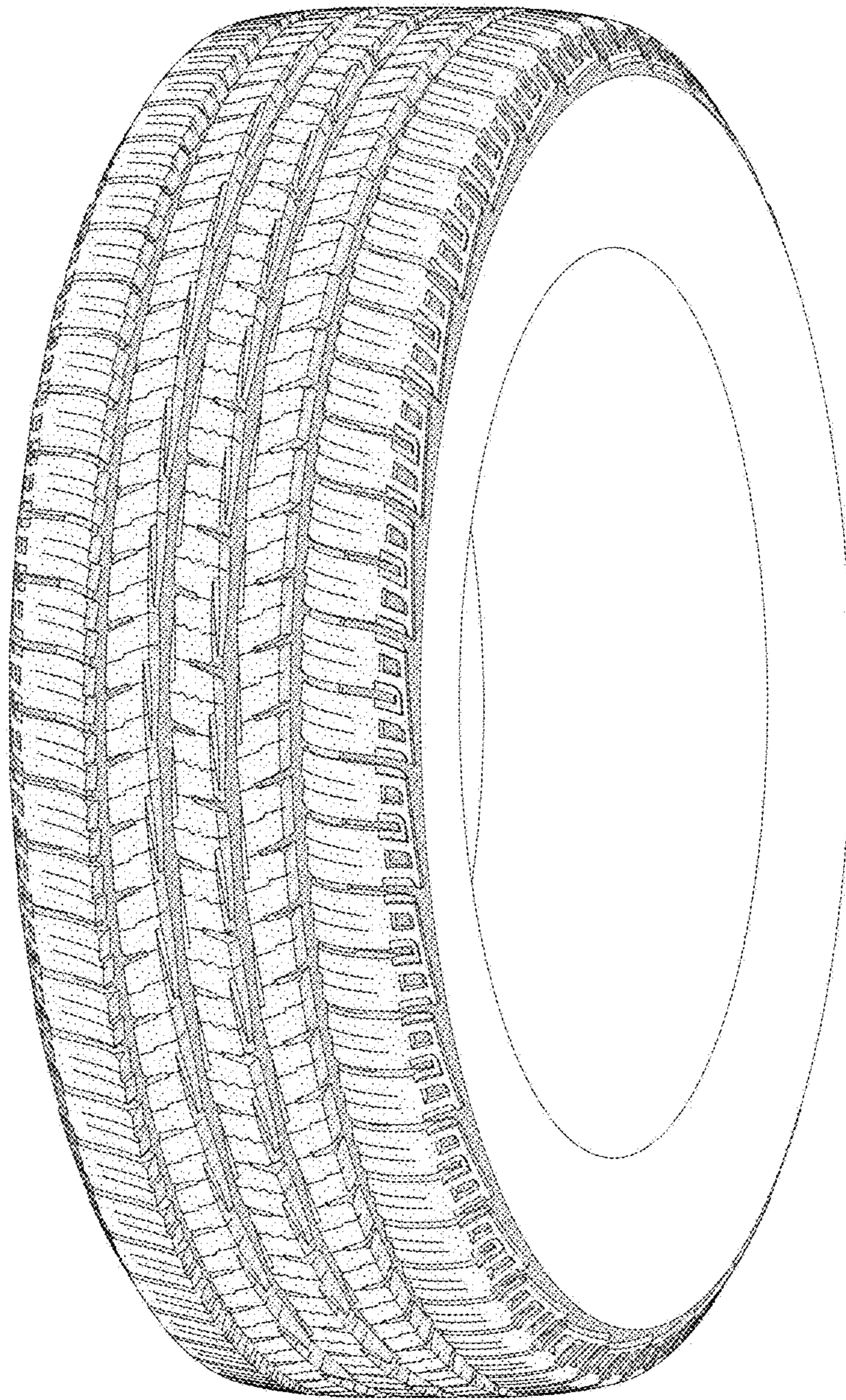


FIG - 5

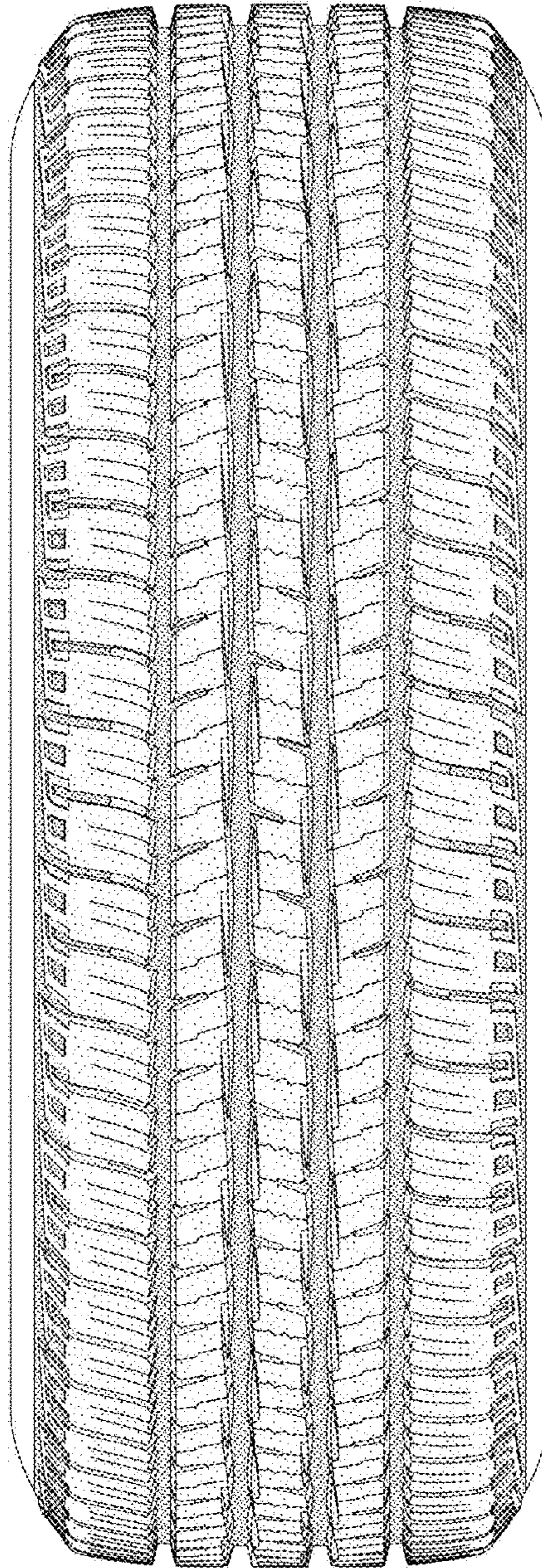


FIG - 6