



US00D954631S

(12) **United States Design Patent**
Park et al.

(10) **Patent No.:** **US D954,631 S**
(45) **Date of Patent:** **** Jun. 14, 2022**

(54) **CONSOLE FOR AUTOMOBILE**

- (71) Applicant: **Samsung Electronics Co., Ltd.**,
Gyeonggi-do (KR)
- (72) Inventors: **Jeisung Park**, Gyeonggi-do (KR);
Kwaneui Hong, Gyeonggi-do (KR)
- (73) Assignee: **SAMSUNG ELECTRONICS CO., LTD.**,
Gyeonggi-do (KR)

(**) Term: **15 Years**

(21) Appl. No.: **29/736,398**

(22) Filed: **May 29, 2020**

(30) **Foreign Application Priority Data**

Dec. 26, 2019 (KR) 30-2019-0063160

(51) **LOC (13) Cl.** **12-16**

(52) **U.S. Cl.**
USPC **D12/415**

(58) **Field of Classification Search**
USPC D12/192, 415, 414, 345; D15/17, 28;
D10/46.98, 102-103, 122-127
CPC B60H 1/34; B60H 1/3407; B60H 1/3414;
B60H 1/3421; B60H 1/3428; B60H
1/3435; B60H 1/3442; B60H 1/345;
B60H 1/3457; B60H 2001/3464; B60H
2001/3471; B60H 2001/3478; B60H
2001/3485
See application file for complete search history.

(56) **References Cited**

U.S. PATENT DOCUMENTS

- D448,720 S * 10/2001 Nash D12/419
- D568,232 S * 5/2008 Motozaki D12/423
- D693,752 S * 11/2013 Jovanoski D12/192
- D826,813 S * 8/2018 Carr D12/192
- D840,325 S * 2/2019 Sandys D12/415
- D876,319 S * 2/2020 Buffery D12/419
- D908,073 S * 1/2021 Warner D12/415
- D911,256 S * 2/2021 Sham D12/415

(Continued)

OTHER PUBLICATIONS

“Samsung Pioneers 5G-Based Mobility with Launch of Digital Cockpit” Samsung., posted date Jan. 8, 2020 [online], [retrieved on Jan. 25, 2022]. Retrieved from the Internet <URL:https://news.samsung.com/global/samsung-pioneers-5g-based-mobility-with-launch-of-digital-cockpit-2020> (Year: 2020).*

(Continued)

Primary Examiner — Darlington Ly

Assistant Examiner — Nasim Abdulaziz Ali

(74) *Attorney, Agent, or Firm* — Cantor Colburn LLP

(57) **CLAIM**

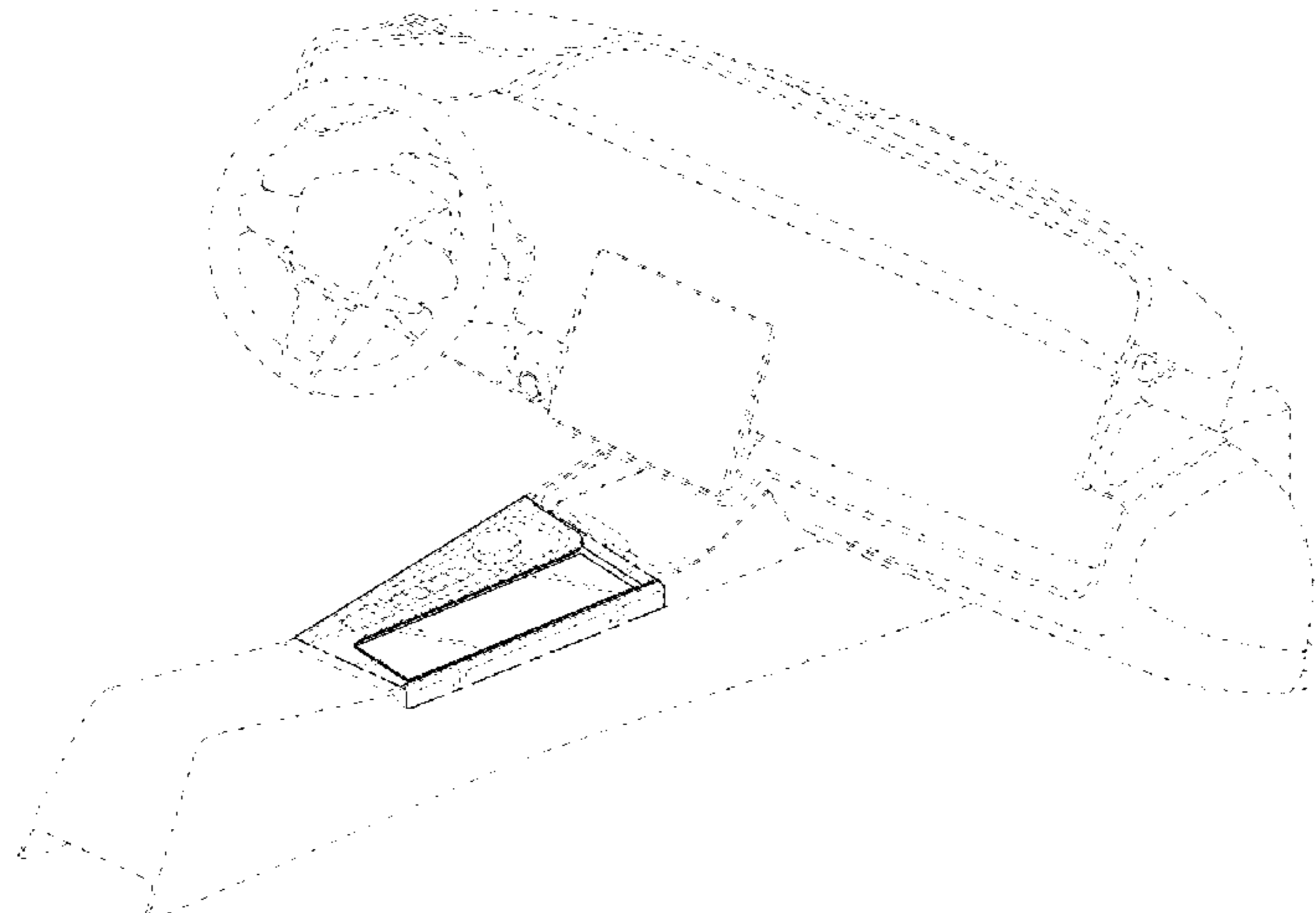
The ornamental design for a console for automobile, as shown and described.

DESCRIPTION

FIG. 1 is a perspective view of a console for automobile, showing our new design;
FIG. 2 is a front elevation view thereof;
FIG. 3 is a rear elevation view thereof;
FIG. 4 is a left side elevation view thereof;
FIG. 5 is a right side elevation view thereof;
FIG. 6 is a top view thereof;
FIG. 7 is a bottom view thereof;
FIG. 8 is an enlarged view of encircled portion 8 of FIG. 1; and,
FIG. 9 is a perspective view as shown in an automobile environment.

The broken line illustrating portions of the console for automobile and environmental structure forms no part of the claimed design. The dot-dash broken lines in the figures depict a boundary of the claimed design and form no part of the claimed design. The dot-dot-dash broken lines encircling enlargement portions of the design form no part of the claimed design.

1 Claim, 8 Drawing Sheets



(56)

References Cited

U.S. PATENT DOCUMENTS

D940,618 S * 1/2022 Hong D12/192
D941,745 S * 1/2022 Sandys D12/415

OTHER PUBLICATIONS

“Geely Geometry A Measure Up to the Tesla Model 3” Geely.,
posted date Apr. 23, 2019 [online], [retrieved on Jan. 25, 2022].
Retrieved from the Internet <URL:[https://www.caranddriver.com/
news/a27206051/geely-geometry-a-vs-tesla-model-3/](https://www.caranddriver.com/news/a27206051/geely-geometry-a-vs-tesla-model-3/)> (Year: 2019).*
“GHSP’s new car controls” GHSP., posted date Jan. 11, 2021
[online], [retrieved on Jan. 25, 2022]. Retrieved from the Internet
<URL:[https://www.cnet.com/roadshow/news/ghsp-dual-stack-
multifunction-controller-automotive-ces/](https://www.cnet.com/roadshow/news/ghsp-dual-stack-multifunction-controller-automotive-ces/)> (Year: 2021).*

* cited by examiner

FIG. 1

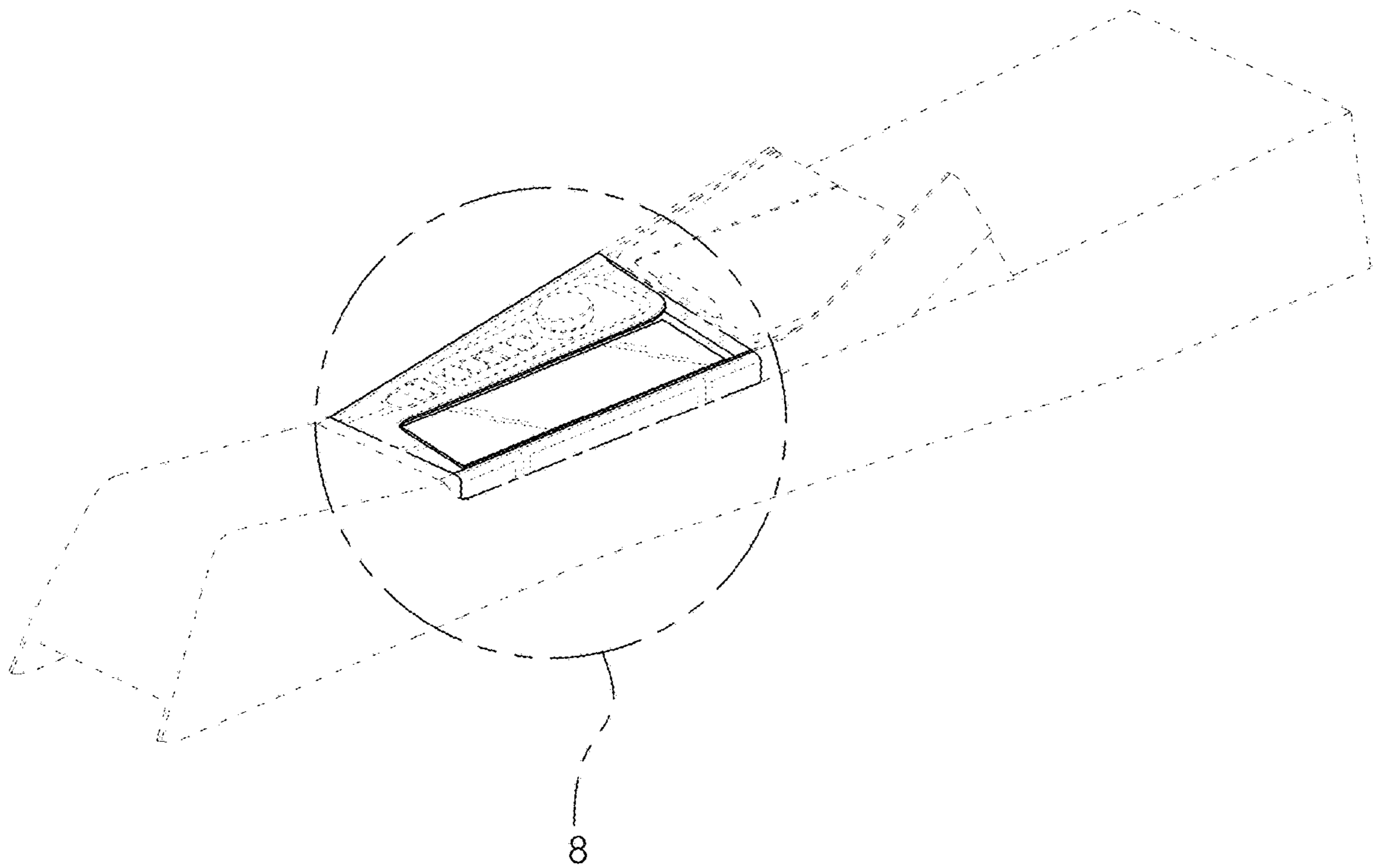


FIG. 2

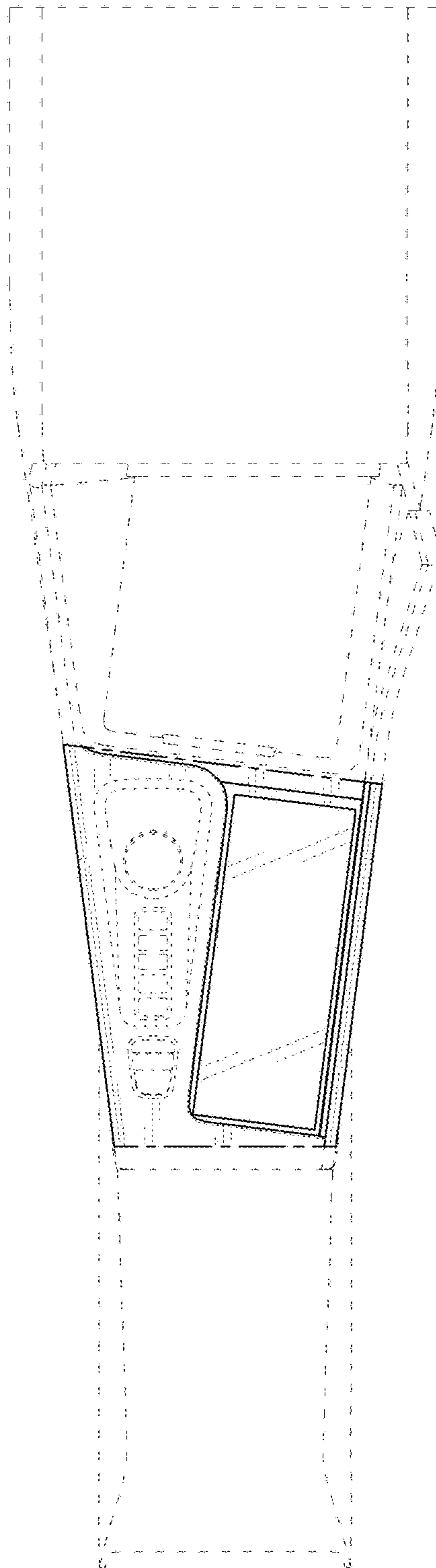


FIG. 3

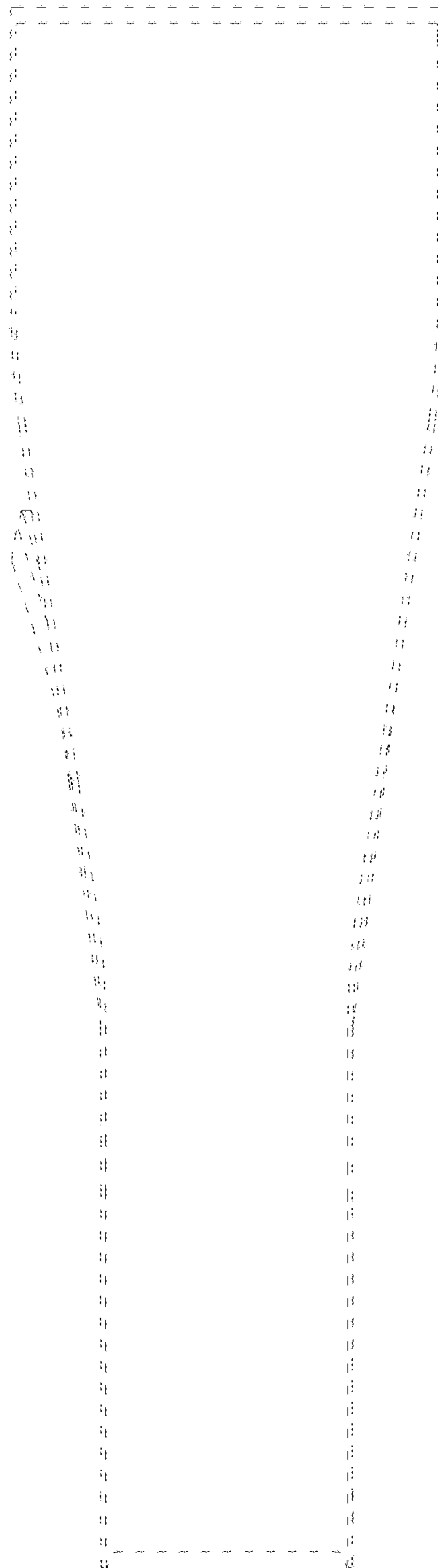


FIG. 4

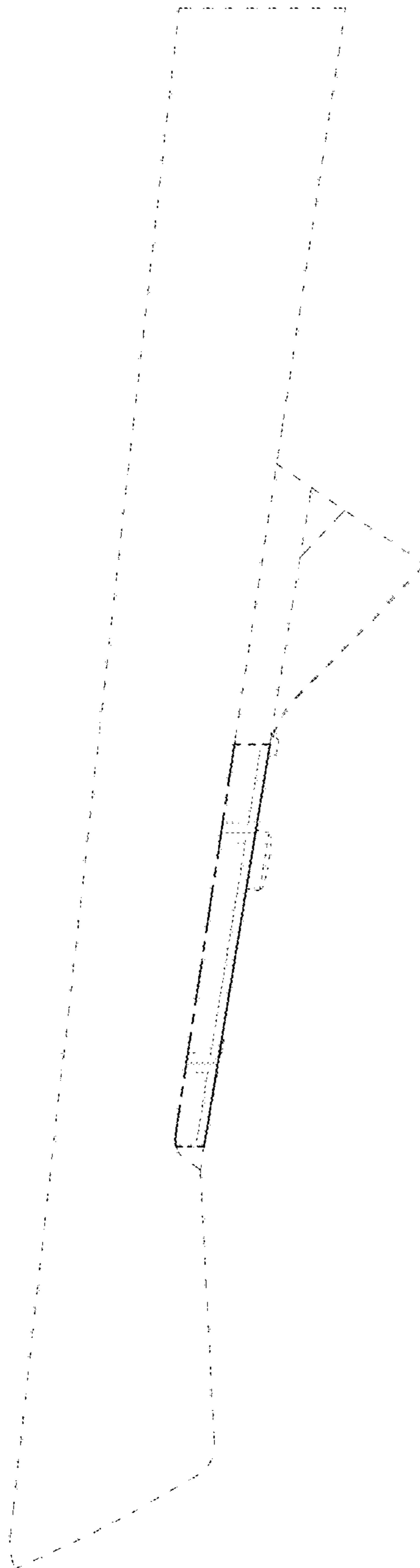


FIG. 5

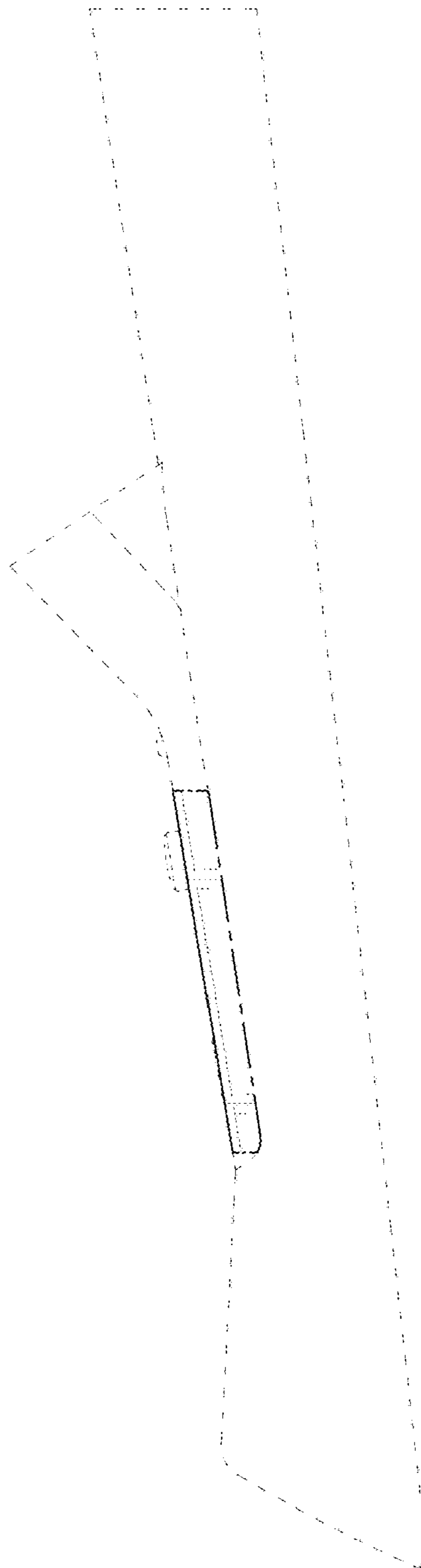


FIG. 6

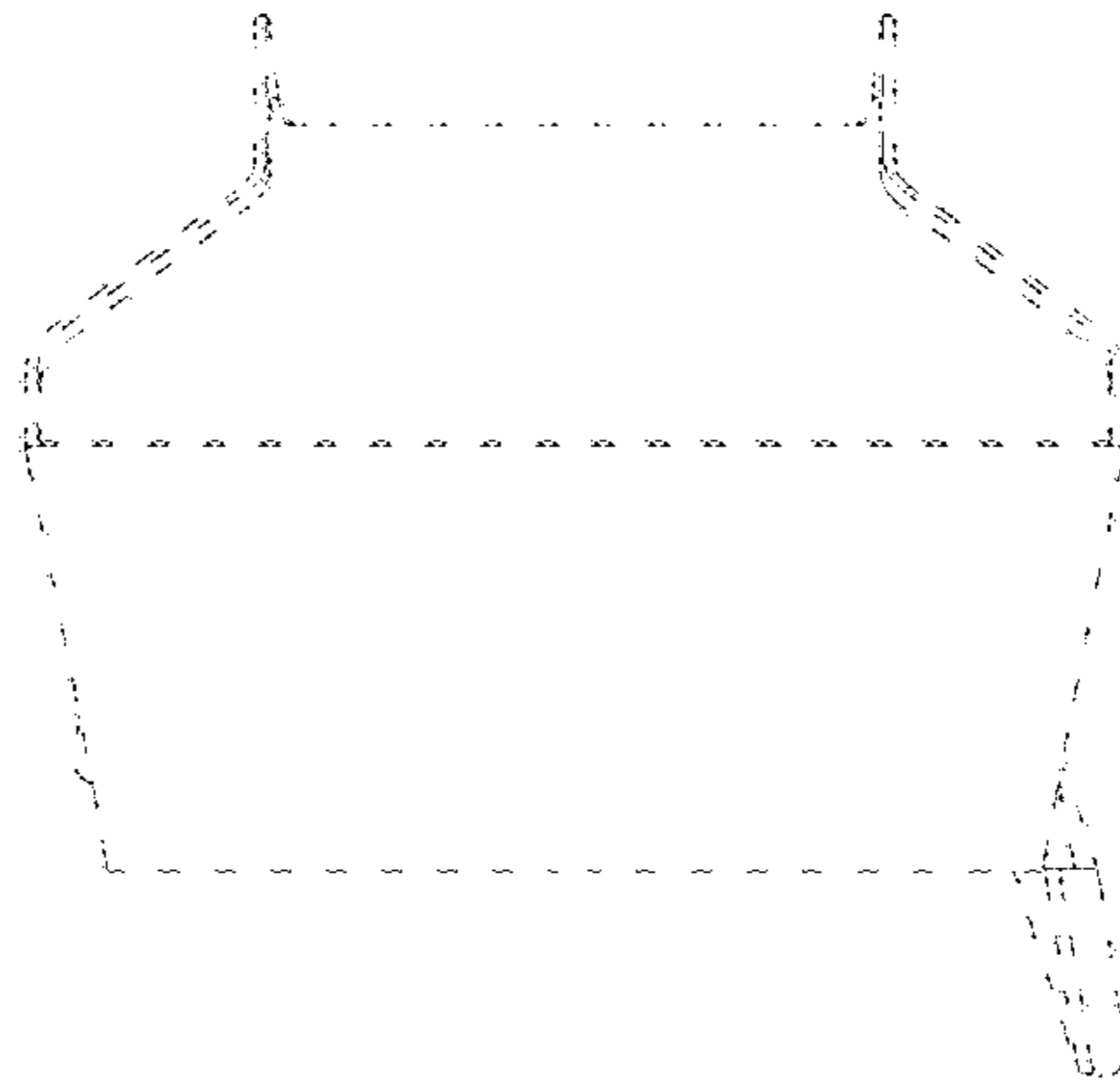


FIG. 7

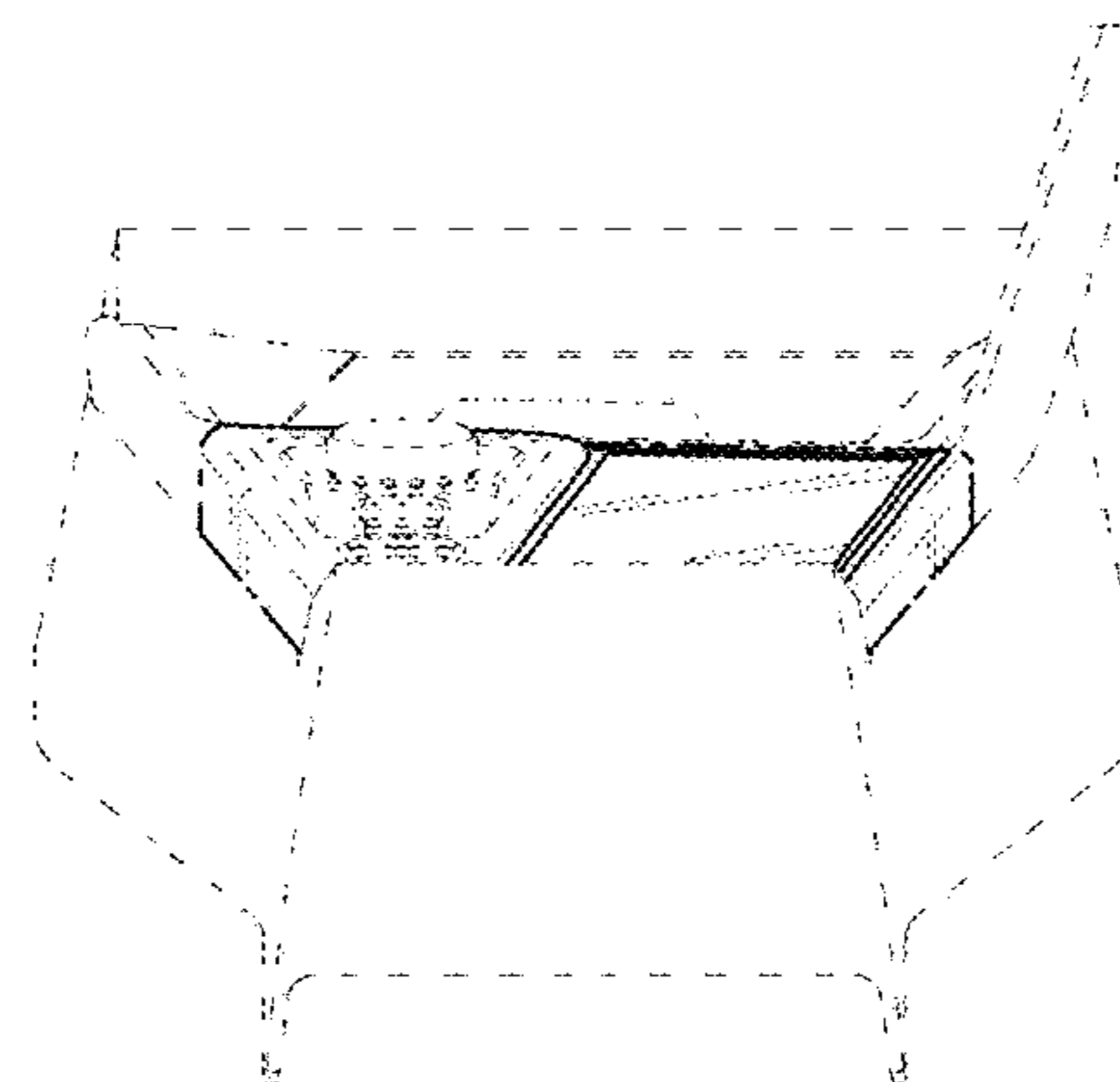


FIG. 8

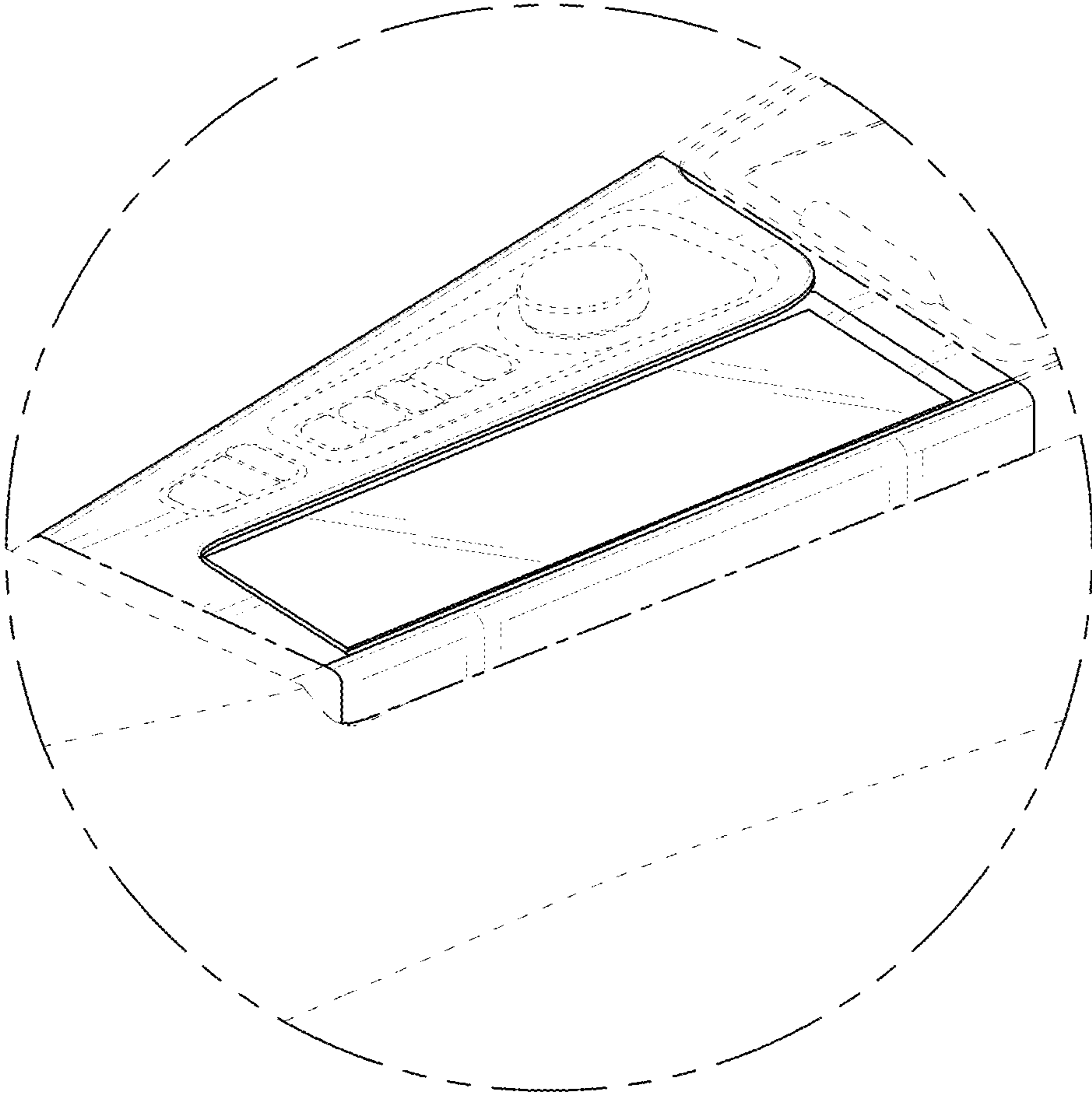


FIG. 9

