



US00D954630S

(12) **United States Design Patent**  
**Connellan et al.**

(10) **Patent No.:** **US D954,630 S**  
(45) **Date of Patent:** **\*\* Jun. 14, 2022**

(54) **PLANK EXTRUSION FOR ROOF RACK**

(71) Applicant: **Rhino Rack Australia Pty Limited**,  
New South Wales (AU)

(72) Inventors: **Adam Connellan**, New South Wales  
(AU); **Warren Asquith**, New South  
Wales (AU)

(73) Assignee: **Rhino Rack Australia PTY LTD**

(\*\*) Term: **15 Years**

(21) Appl. No.: **29/669,968**

(22) Filed: **Nov. 13, 2018**

(30) **Foreign Application Priority Data**

May 14, 2018 (AU) ..... 201812804

(51) **LOC (13) Cl.** ..... **12-16**

(52) **U.S. Cl.**  
USPC ..... **D12/412**

(58) **Field of Classification Search**  
USPC ..... D25/119-125, 138, 164, 199; D8/376,  
D8/377; D12/400, 412, 414; D6/552  
CPC ..... B60R 9/04; B60R 9/045; B60R 9/052  
See application file for complete search history.

(56) **References Cited**

**U.S. PATENT DOCUMENTS**

4,951,992 A \* 8/1990 Hockney ..... B62D 33/02  
D25/119  
D459,818 S \* 7/2002 Chaney ..... D25/125  
D485,621 S \* 1/2004 Deel ..... D25/119

D489,465 S \* 5/2004 Allsopp ..... D25/119  
D511,390 S \* 11/2005 Schuberth ..... D25/138  
D564,105 S \* 3/2008 Amato ..... D25/125  
D564,106 S \* 3/2008 Amato ..... D25/125  
D788,947 S \* 6/2017 Gilkey ..... D25/125  
D878,277 S \* 3/2020 Connellan ..... D12/412  
D879,013 S \* 3/2020 Connellan ..... D12/412  
D908,071 S \* 1/2021 Connellan ..... D12/412  
D930,554 S \* 9/2021 Voss ..... D12/412  
D932,983 S \* 10/2021 Toyoshima ..... D12/412

\* cited by examiner

*Primary Examiner* — Llorelys Martinez

(74) *Attorney, Agent, or Firm* — Skinner and Associates;  
Joel Skinner

(57) **CLAIM**

The ornamental design for a plank extrusion for roof rack,  
as shown and described.

**DESCRIPTION**

FIG. 1 i is a perspective view of a plank extrusion roof rack  
showing our new design.

FIG. 2 is a front view thereof, the rear view being a mirror  
image.

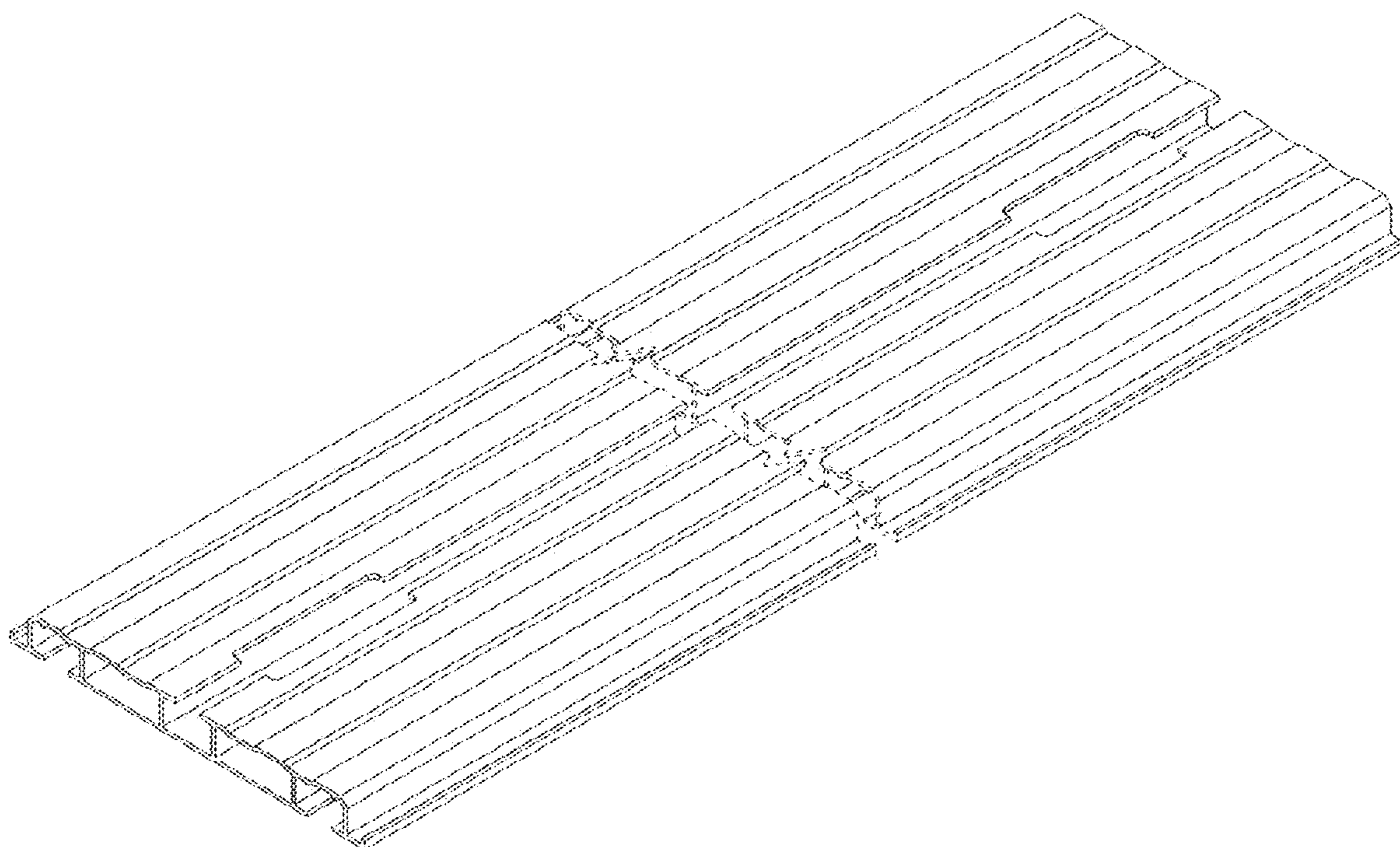
FIG. 3 is a side view thereof, the opposite side being a mirror  
image.

FIG. 4 is a top view thereof; and,

FIG. 5 is a bottom view thereof.

The broken lines in the drawings represent portions of the  
plank extrusion for roof rack that form no part of the claimed  
design. The plank extrusion for roof rack is shown with a  
symbolic break in its length. The appearance of any portion  
of the plank extrusion for roof rack between the break lines  
forms no part of the claimed design.

**1 Claim, 5 Drawing Sheets**



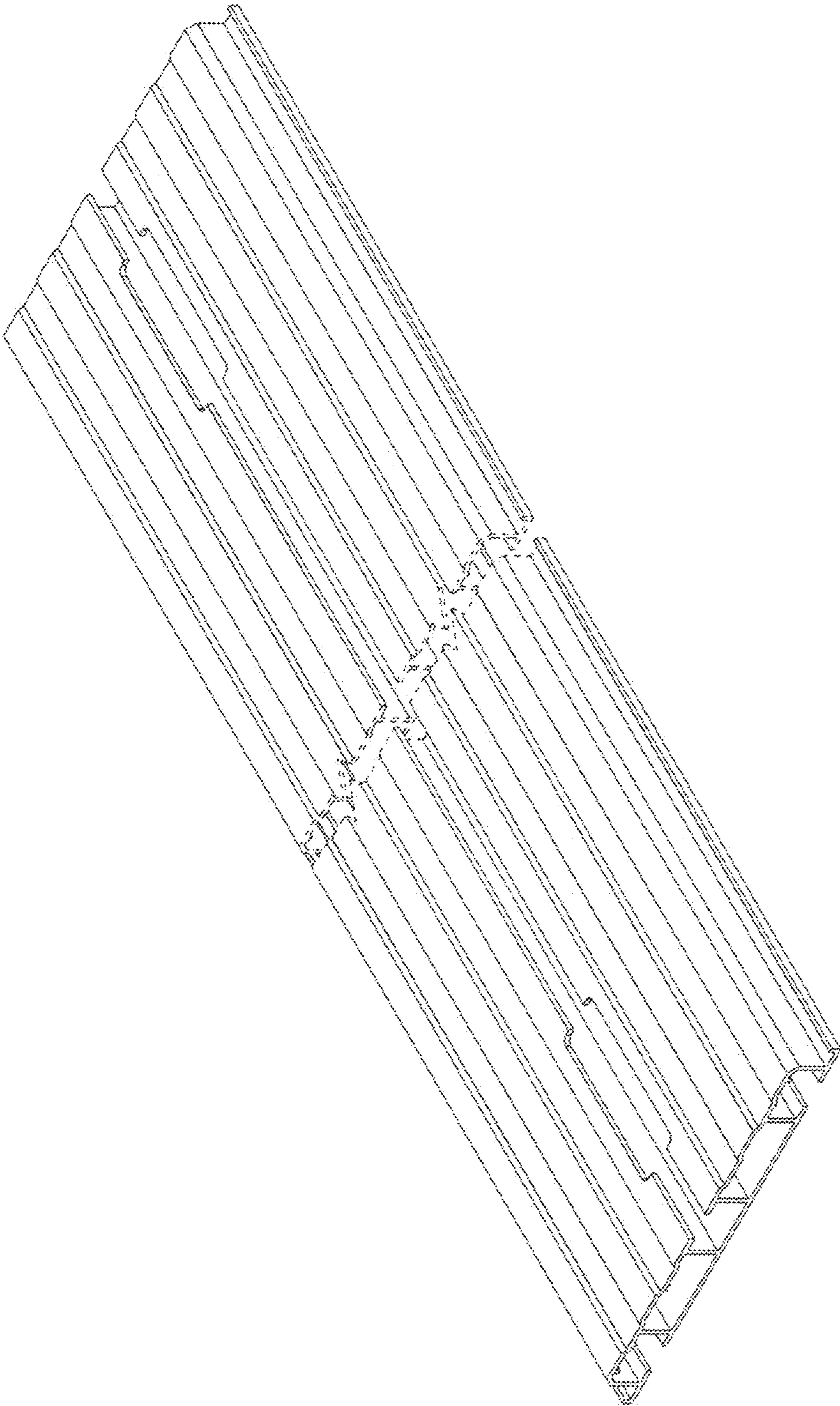


FIG. 1

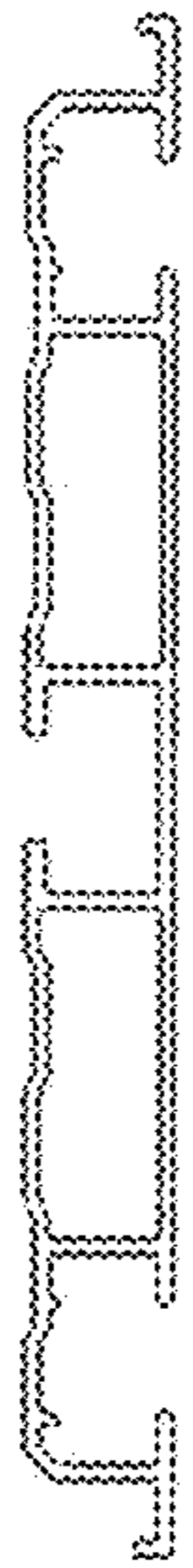


FIG. 2

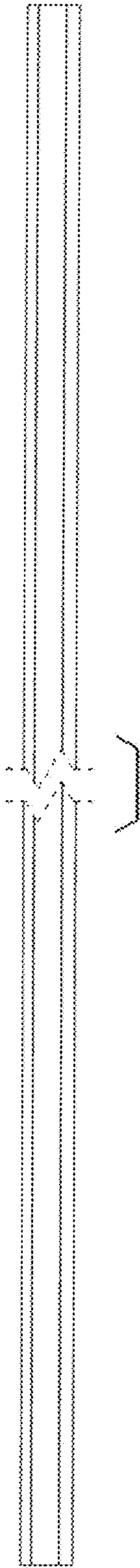


FIG. 3

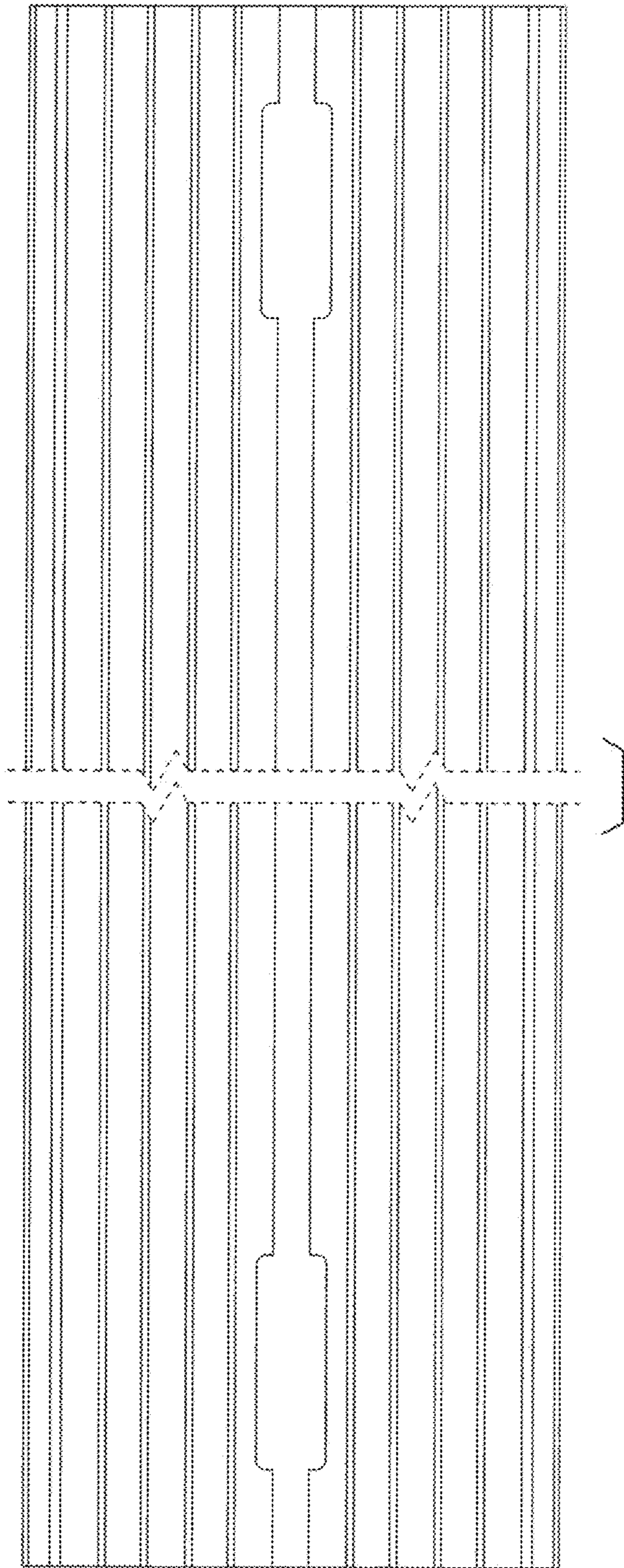


FIG. 4

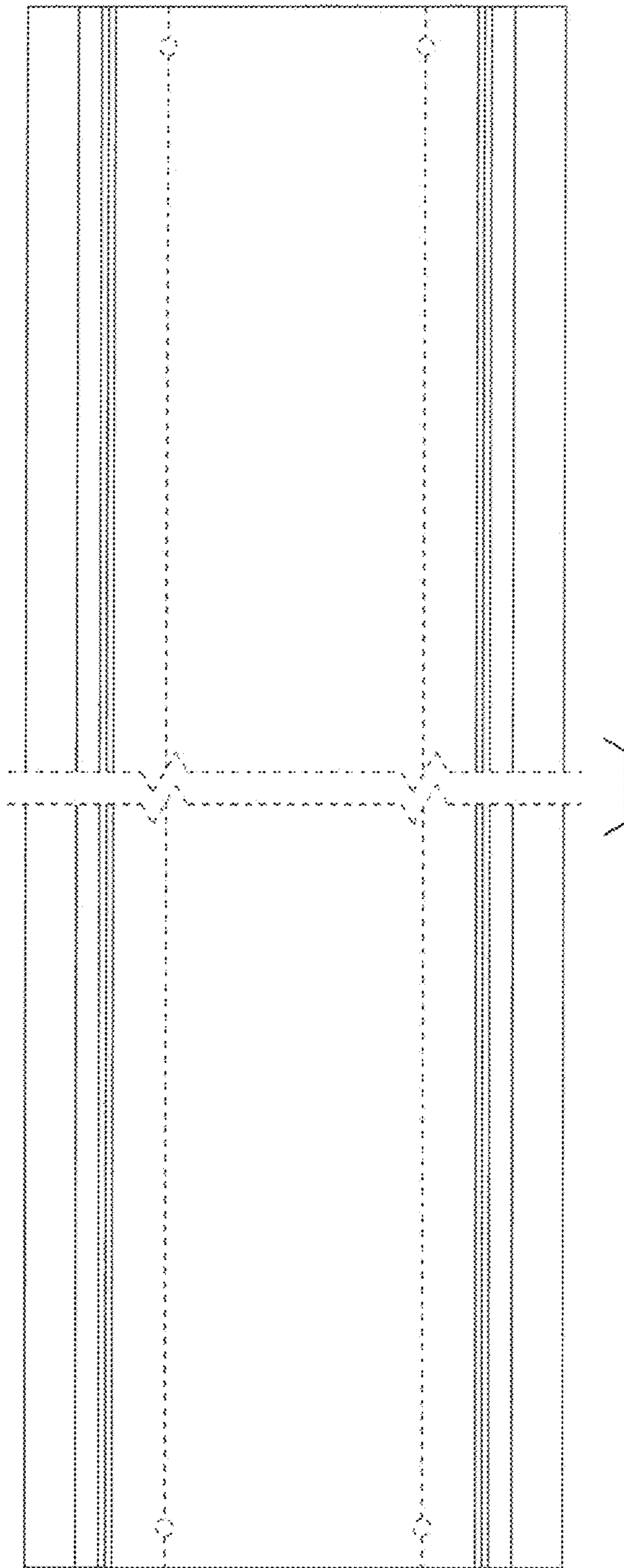


FIG. 5