



US00D954629S

(12) **United States Design Patent**  
**Liu**

(10) **Patent No.:** **US D954,629 S**

(45) **Date of Patent:** **\*\* Jun. 14, 2022**

(54) **BICYCLE RACK**

(71) Applicant: **Chunjie Liu**, Pingyang (CN)

(72) Inventor: **Chunjie Liu**, Pingyang (CN)

(\*\*) Term: **15 Years**

(21) Appl. No.: **29/764,610**

(22) Filed: **Dec. 31, 2020**

(51) **LOC (13) Cl.** ..... **12-16**

(52) **U.S. Cl.**  
USPC ..... **D12/406**

(58) **Field of Classification Search**  
USPC ..... D12/101, 114, 223, 400, 401, 403, 406,  
D12/407, 408, 412, 413, 414, 414.1, 115,  
D12/404, 409, 410; D8/349, 354;  
D21/561

CPC .... B60R 9/00; B60R 9/02; B60R 9/04; B60R  
9/06; B60R 9/08; B60R 9/10; B60R  
9/045; B60R 9/048; B60R 9/055; B60R  
9/058; B62H 3/10

See application file for complete search history.

(56) **References Cited**

**U.S. PATENT DOCUMENTS**

D409,134 S	*	5/1999	Will	.....	D12/407
D430,532 S	*	9/2000	Frazier	.....	D12/407
D502,127 S	*	2/2005	Pappas	.....	B62H 3/10 D12/115
D751,971 S	*	3/2016	Patel	.....	D12/406
D774,422 S	*	12/2016	Greenblatt	.....	D12/115

D812,546 S	*	3/2018	Johnson	.....	D12/406
D813,784 S	*	3/2018	Larsson	.....	D12/407
D830,947 S	*	10/2018	Adler	.....	D12/406
D865,644 S	*	11/2019	Furuya	.....	D12/408
D870,642 S	*	12/2019	Adler	.....	D12/412
D877,685 S	*	3/2020	Larsson	.....	D12/406
D895,530 S	*	9/2020	Lathrop	.....	D12/412
D908,048 S	*	1/2021	Peruzzo	.....	D12/115
D919,550 S	*	5/2021	Teng	.....	D12/412

\* cited by examiner

*Primary Examiner* — Susan E Krakower

*Assistant Examiner* — Jerry Shiuan-Hua Hsu

(57) **CLAIM**

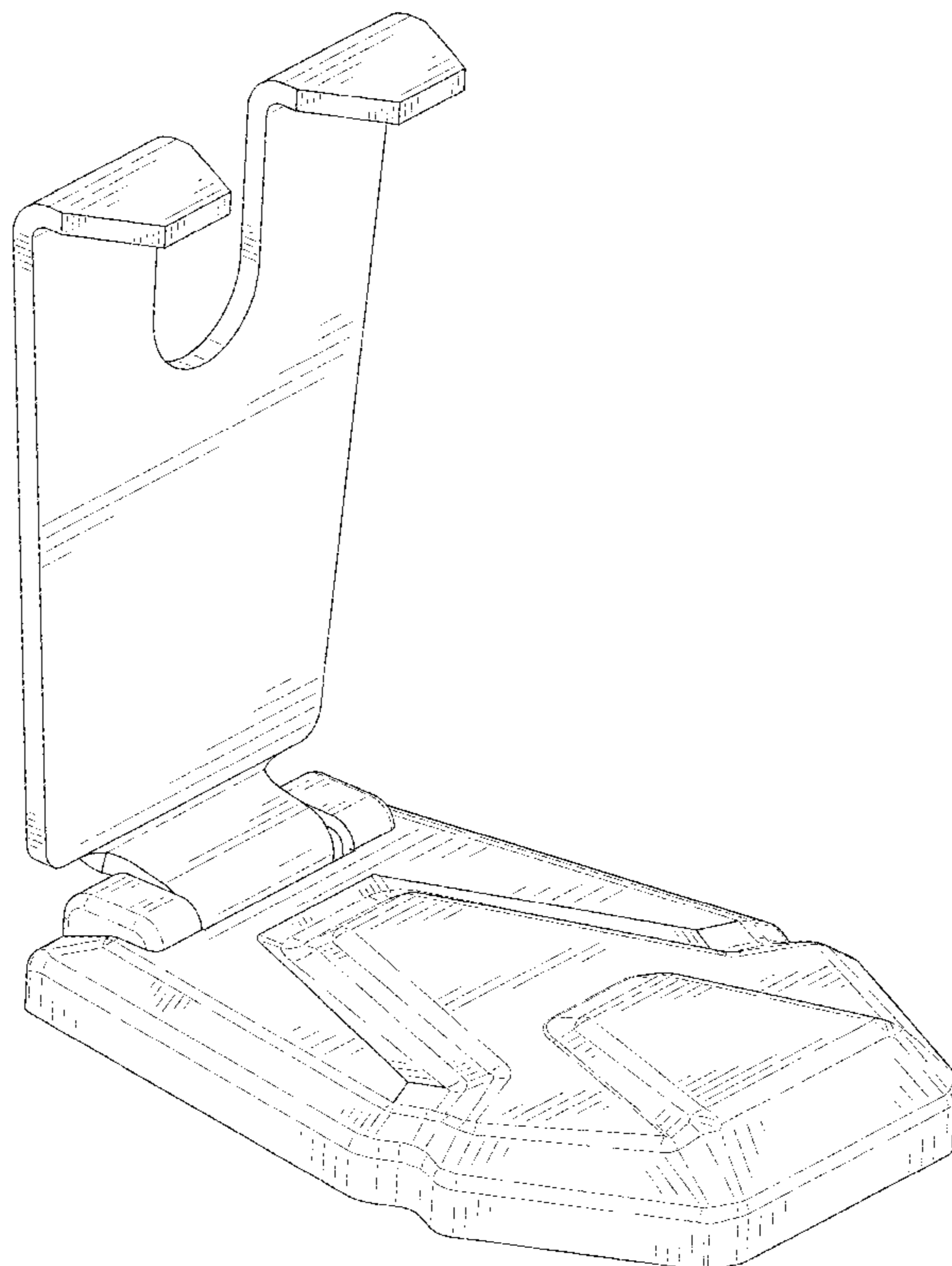
The ornamental design for a bicycle rack, as shown and described.

**DESCRIPTION**

FIG. 1 is a front, left, top perspective view of a bicycle rack showing my new design;  
FIG. 2 is a back, right, bottom perspective view thereof;  
FIG. 3 is a front view thereof;  
FIG. 4 is a back view thereof;  
FIG. 5 is a left side view thereof;  
FIG. 6 is a right side view thereof;  
FIG. 7 is a top view thereof; and,  
FIG. 8 is a bottom view thereof.

The broken lines shown in the drawings depict portions of the bicycle rack in which the design is embodied that form no part of the claimed design.

**1 Claim, 8 Drawing Sheets**



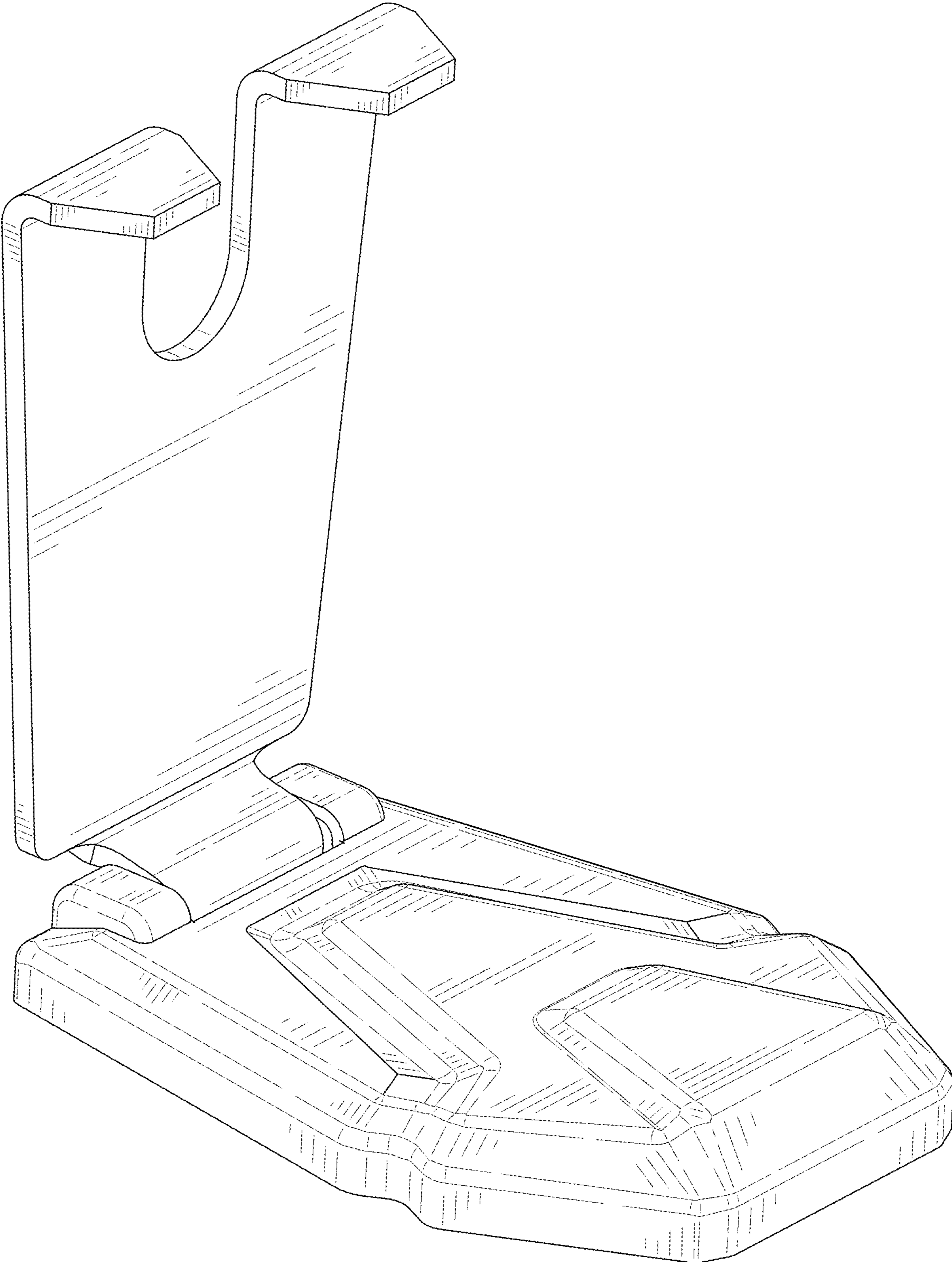


FIG. 1

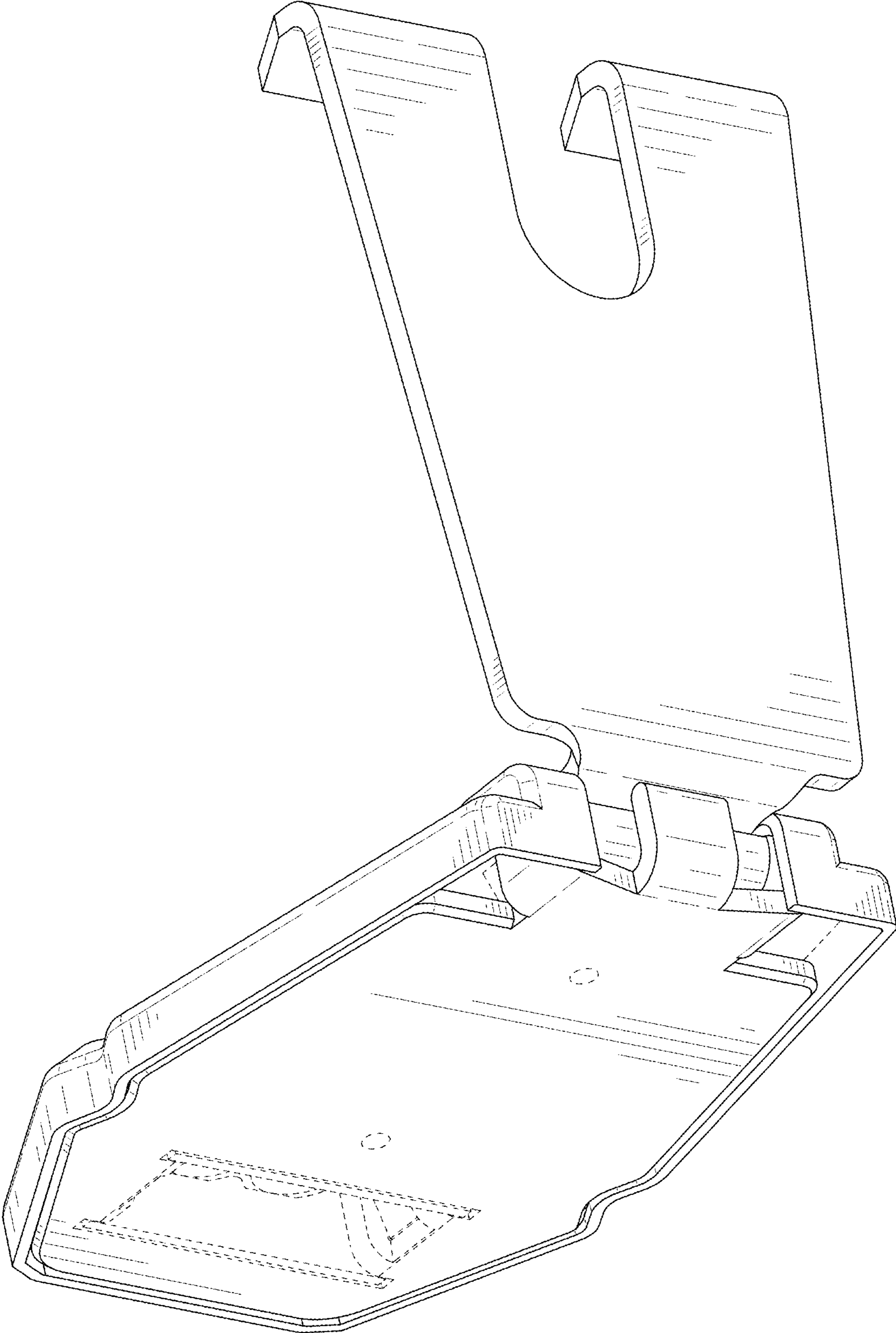


FIG. 2

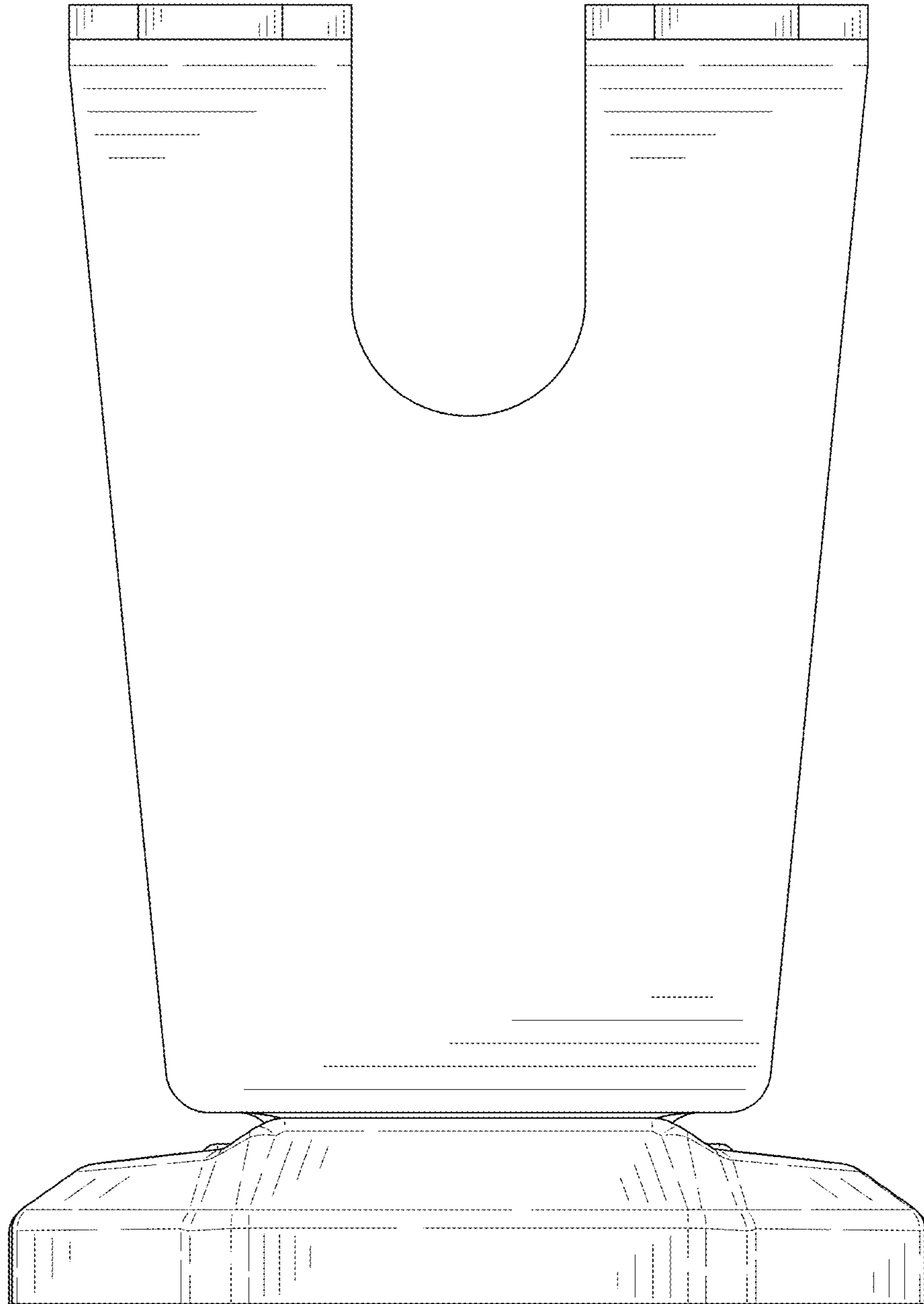


FIG. 3

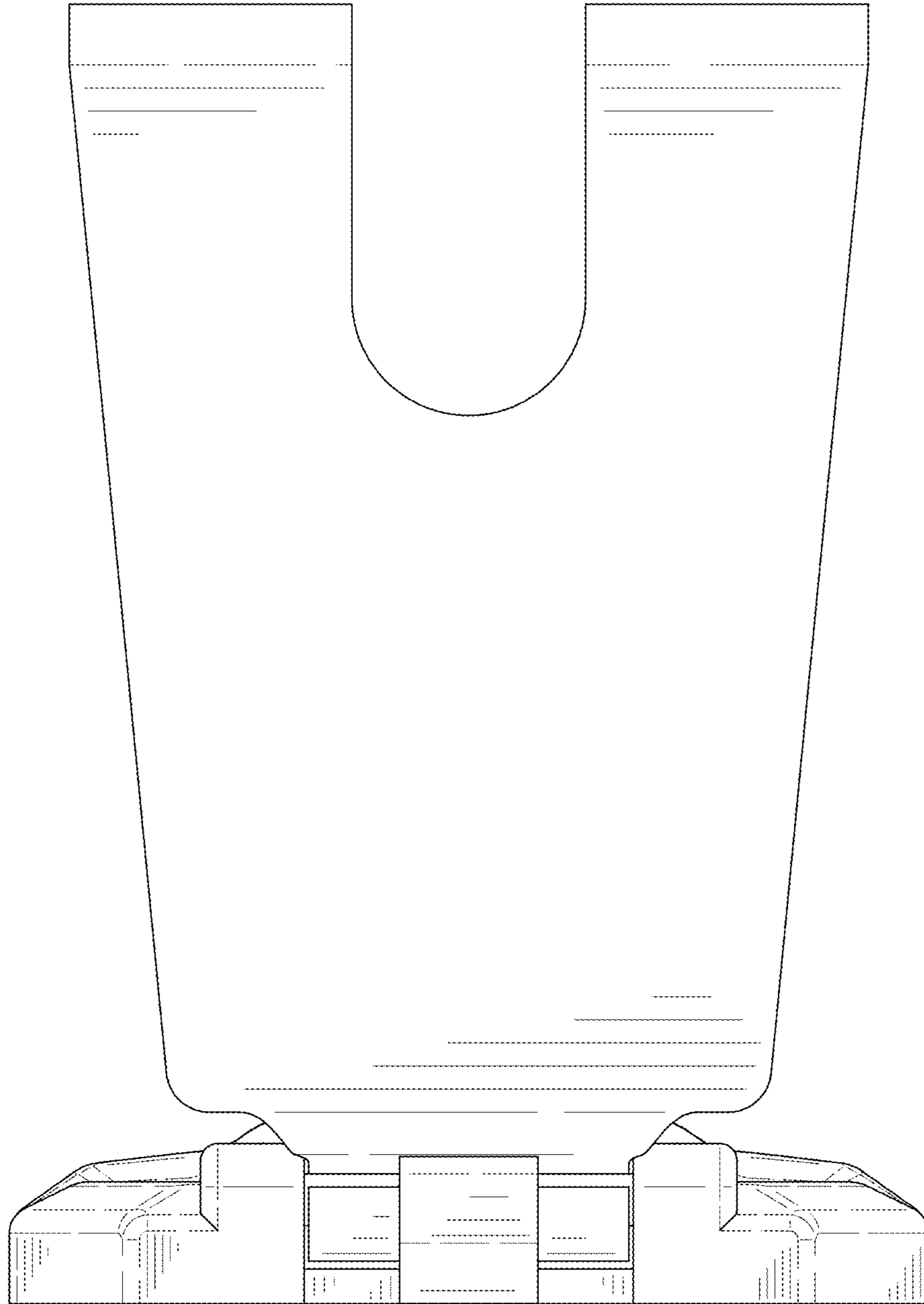


FIG. 4

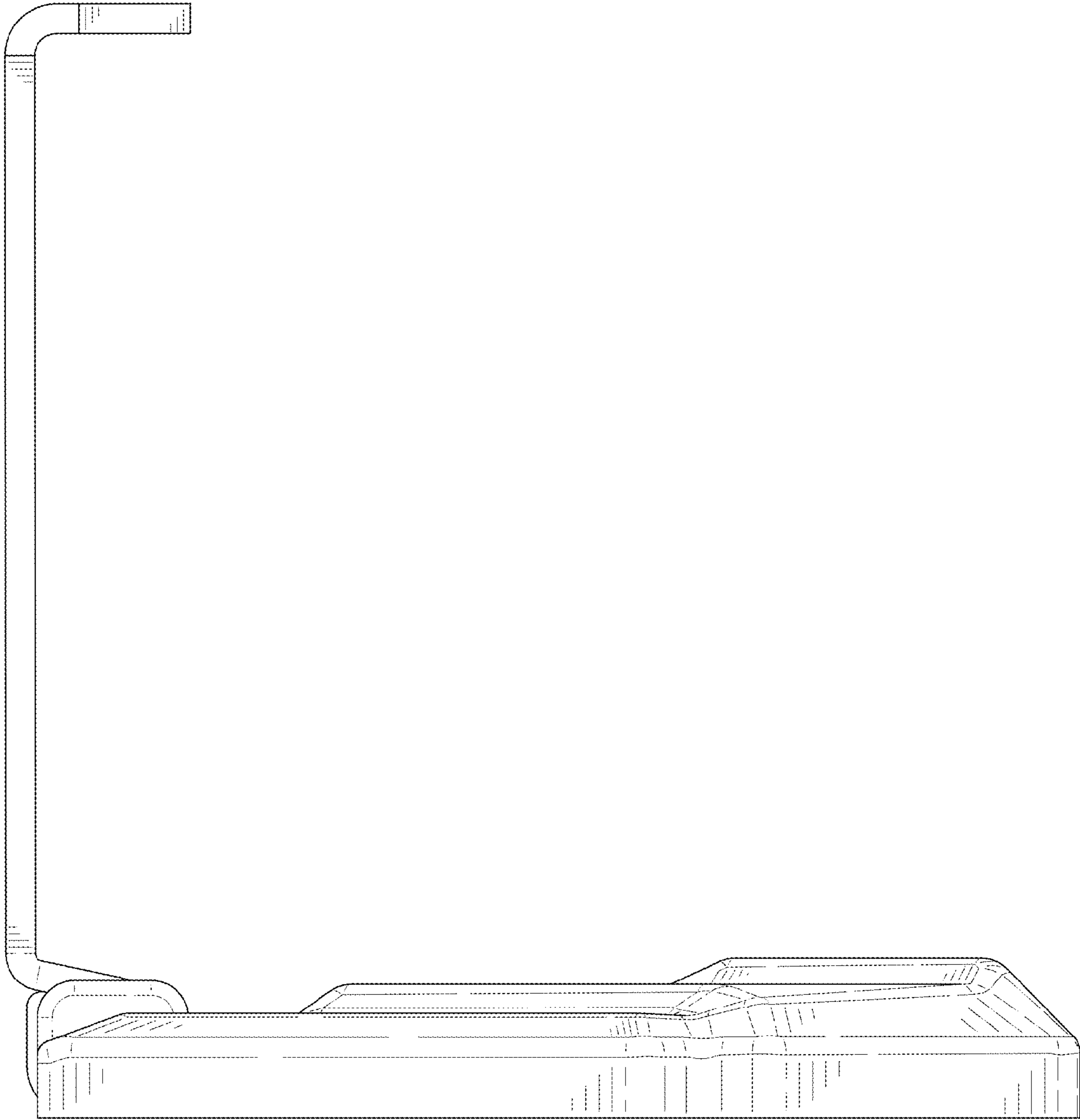


FIG. 5

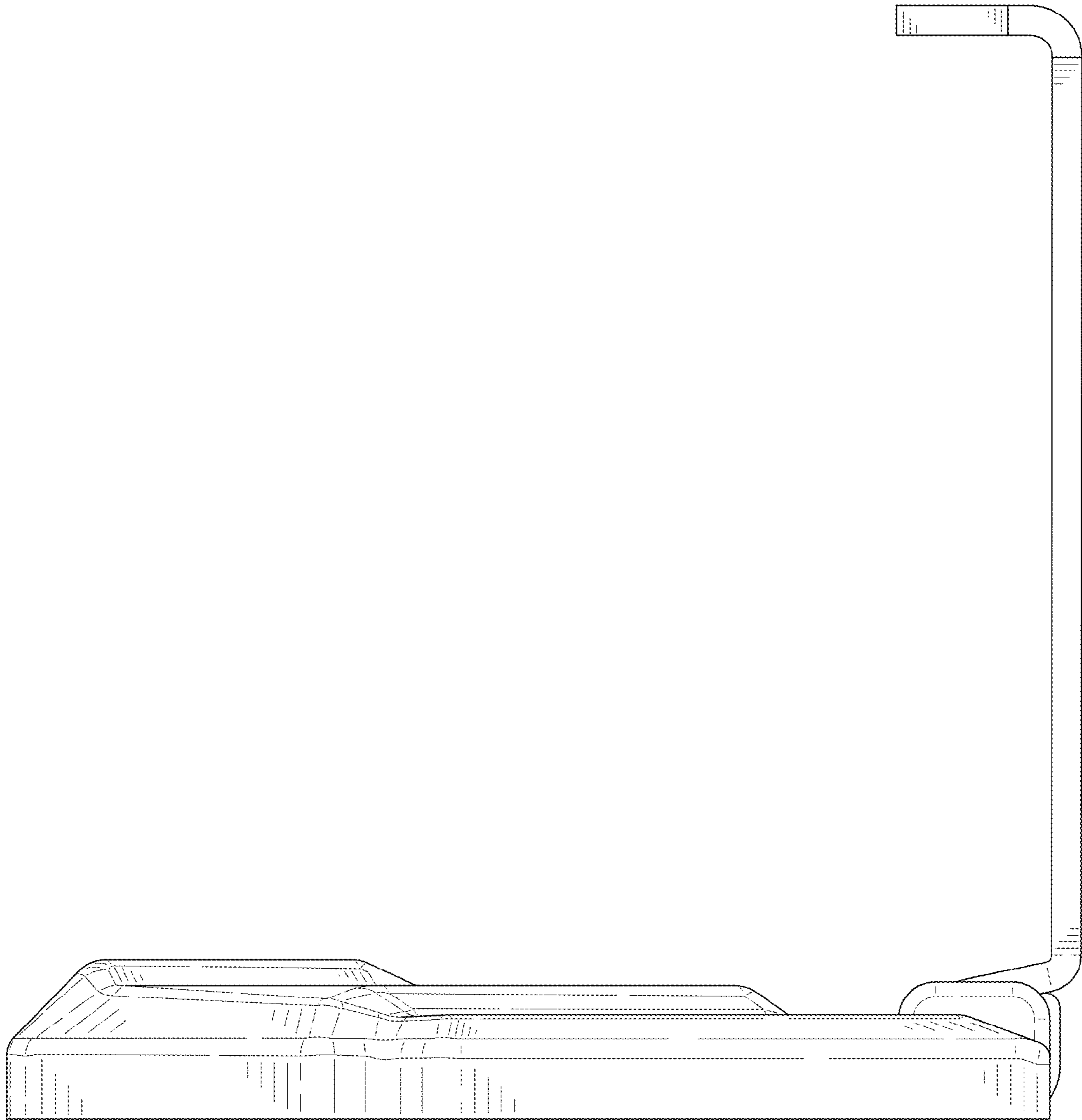


FIG. 6

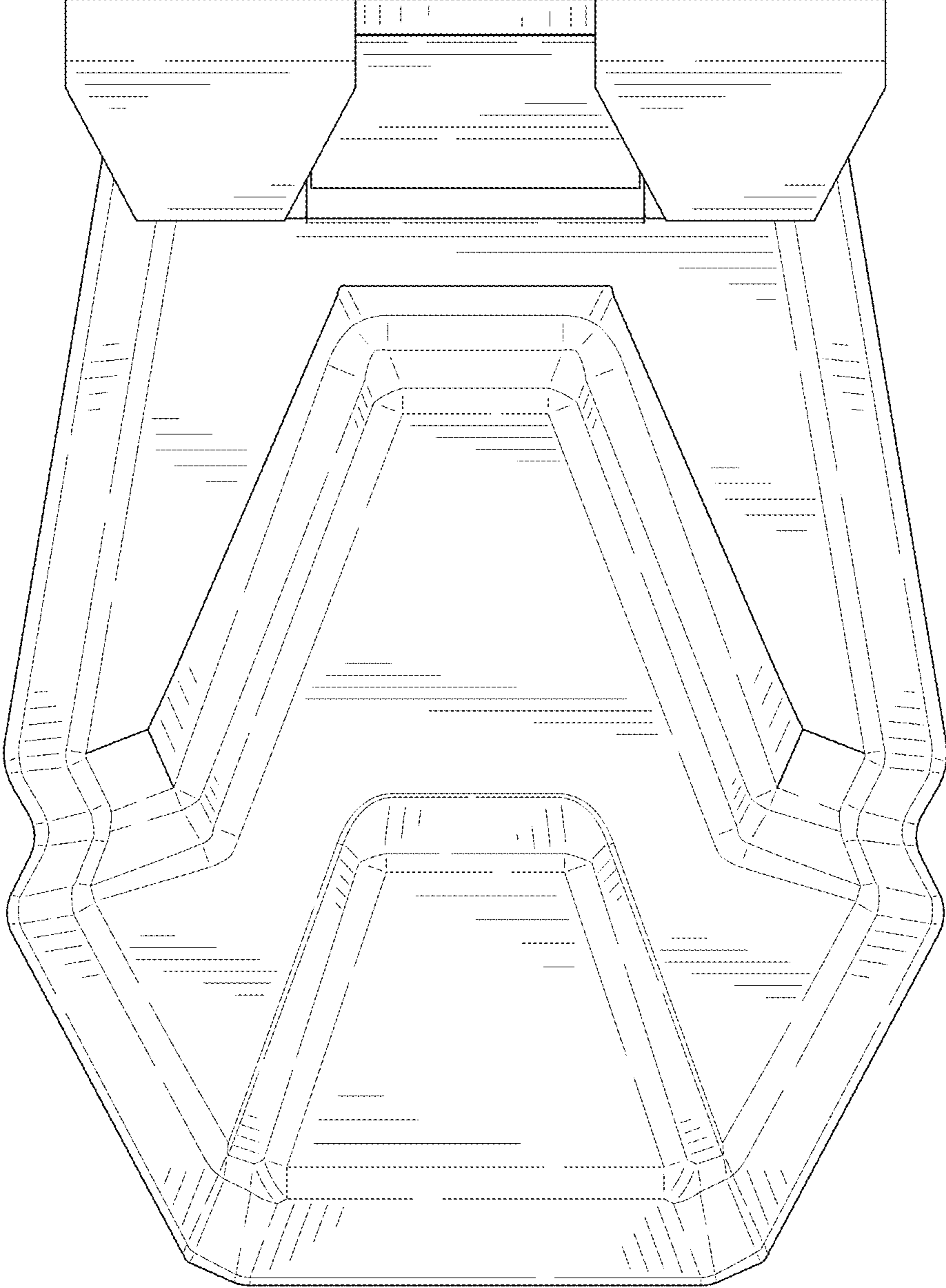


FIG. 7



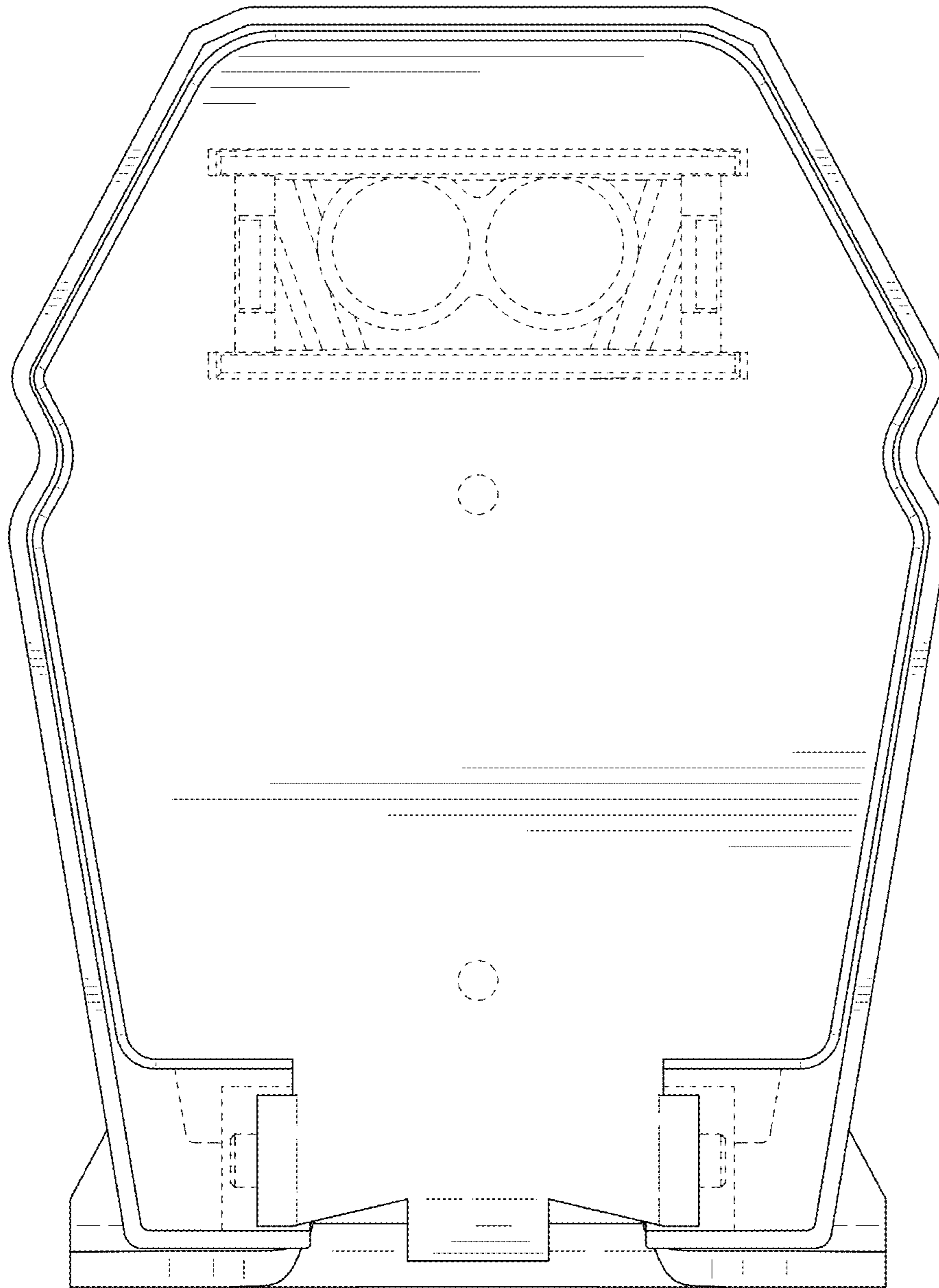


FIG. 8