



US00D954627S

(12) **United States Design Patent**
Sempek

(10) **Patent No.:** **US D954,627 S**
(45) **Date of Patent:** **** Jun. 14, 2022**

(54) **WHEEL RIM**
(71) Applicant: **Allied Wheel Components**, Garden Grove, CA (US)
(72) Inventor: **Christopher Sean Sempek**, Long Beach, CA (US)
(73) Assignee: **Allied Wheel Components**, Garden Grove, CA (US)
(**) Term: **15 Years**
(21) Appl. No.: **29/688,016**

D497,870 S 11/2004 Cahyono
D504,101 S 4/2005 Pfeiffer
D506,173 S 6/2005 Pfeiffer
D508,007 S 8/2005 Koch
D513,728 S 1/2006 Yazawa et al.
D516,490 S 3/2006 Baer
D522,429 S 6/2006 Ishiwata
D524,214 S 7/2006 Pfeiffer et al.
D524,217 S 7/2006 Aoki
D529,426 S 10/2006 Metros et al.
D534,473 S 1/2007 Bernoni
D538,215 S 3/2007 Laengerer
D542,210 S 5/2007 Plumer
D543,922 S 6/2007 Young
D555,065 S 11/2007 Hernandez
D582,828 S 12/2008 Young

(Continued)

(22) Filed: **Apr. 17, 2019**

(51) **LOC (13) Cl.** **12-16**

(52) **U.S. Cl.**
USPC **D12/209**

(58) **Field of Classification Search**
USPC D12/204–213; D21/563
CPC B60B 7/00; B60B 7/01; B60B 7/02; B60B 7/04; B60B 7/06; B60B 3/02; B60B 3/04; B60B 3/06; B60B 3/10; B60B 1/00; B60B 1/08; B60B 1/10; B60B 1/12
See application file for complete search history.

(56) **References Cited**

U.S. PATENT DOCUMENTS

D58,279 S 6/1921 Weeh et al.
1,404,382 A 1/1922 Lewis et al.
1,530,863 A 3/1925 Vanderveer et al.
D208,543 S 9/1967 Halibrand
D391,216 S 2/1998 Bollmann et al.
D396,208 S 7/1998 Baumgartner et al.
D448,712 S 10/2001 Laengerer
D450,649 S 11/2001 Penzes
D459,691 S 7/2002 Takechi
D466,466 S 12/2002 Laengerer
D477,556 S 7/2003 Koch
D481,344 S 10/2003 Mattin et al.
D481,984 S 11/2003 Sulahian

OTHER PUBLICATIONS

Kansei Tandem Wheels, Published Nov. 26, 2018 [online], [retrieved on Apr. 19, 2022]. Retrieved from the Internet: <https://www.youtube.com/watch?v=SZZJoZwraUQ> (Year: 2018).*

(Continued)

Primary Examiner — Cary M Robinson
Assistant Examiner — Adam C Mager
(74) *Attorney, Agent, or Firm* — Joseph A. Andelin; Fish IP Law, LLP

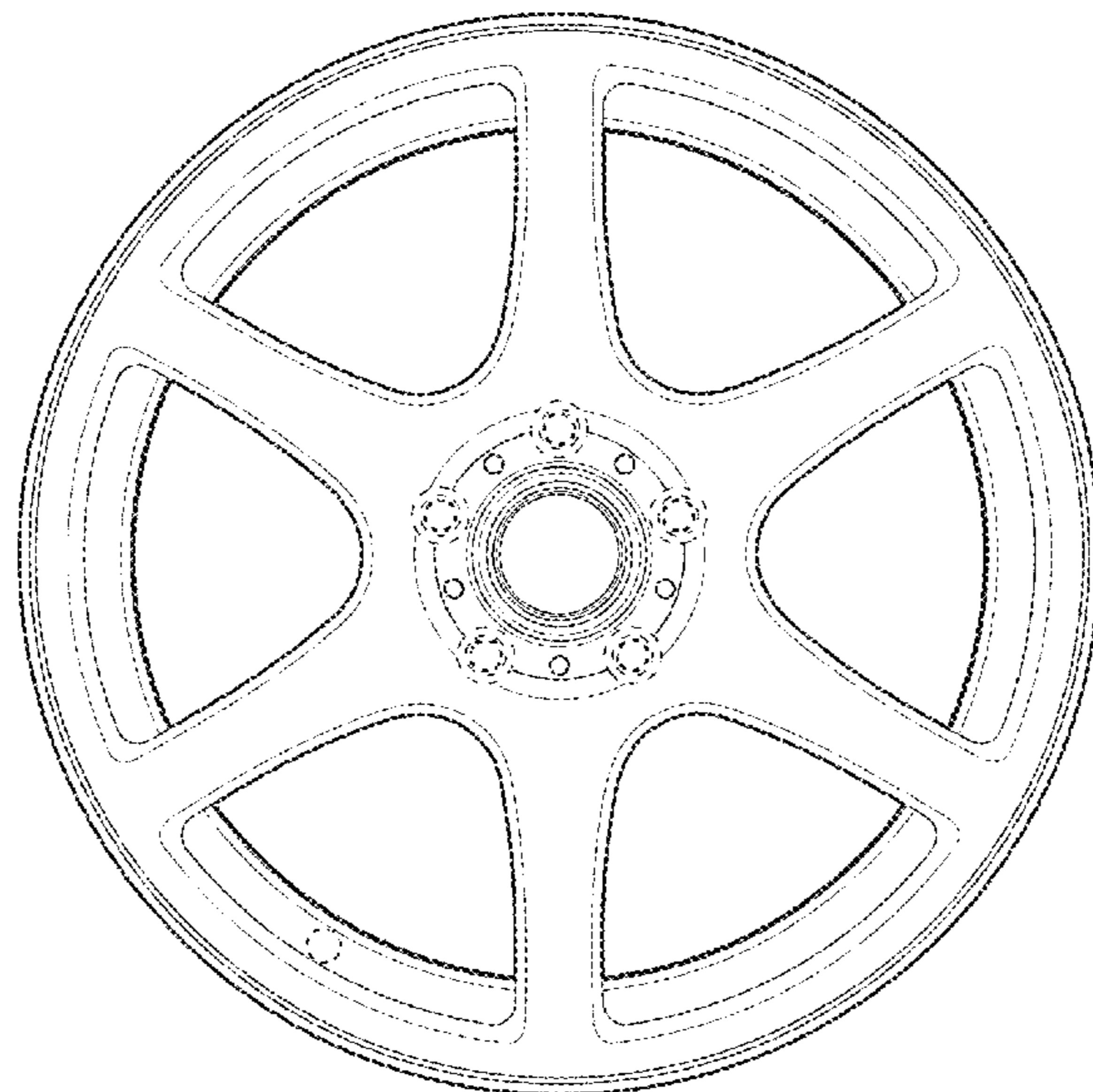
(57) **CLAIM**

I claim the ornamental design for a wheel rim, as shown and described.

DESCRIPTION

FIG. 1 is a front elevation view of a wheel rim of the new design; and,
FIG. 2 is a top, front, right side perspective view thereof. The broken lines illustrate portions of the wheel rim that form no part of the claimed design.

1 Claim, 2 Drawing Sheets



(56)

References Cited

U.S. PATENT DOCUMENTS

D587,179 S 2/2009 Pfeiffer
 D608,711 S 1/2010 Juergens et al.
 D609,624 S 2/2010 Matsubara
 D617,710 S 6/2010 Ectors et al.
 D619,070 S 7/2010 Pollmann
 D620,862 S 8/2010 Pollmann
 D623,110 S 9/2010 Juergens et al.
 D628,948 S 12/2010 Chung
 D629,347 S 12/2010 Kim
 D632,239 S 2/2011 Gallert
 D639,222 S 6/2011 Johnson
 D644,587 S 9/2011 Gotschke
 D659,063 S 5/2012 Johnson
 D660,220 S 5/2012 Chan
 D666,546 S 9/2012 Juergens et al.
 D667,355 S 9/2012 Gotschke
 D675,973 S 2/2013 Lee
 D682,180 S 5/2013 Zhao
 D688,190 S 8/2013 Hodges
 D691,542 S 10/2013 Chan
 D695,183 S 12/2013 Chung
 D702,173 S 4/2014 Perini
 D706,196 S 6/2014 Lee
 D715,722 S 10/2014 Johnson
 D717,224 S 11/2014 Kim
 D717,711 S 11/2014 Kern
 D720,271 S 12/2014 Mielke et al.
 D721,318 S 1/2015 Kim
 D722,937 S 2/2015 Johnson
 D724,515 S 3/2015 Chung
 D726,089 S 4/2015 Hodges
 D726,090 S 4/2015 Hilpert
 D736,134 S * 8/2015 Platto D12/211
 D739,329 S 9/2015 Watkin
 D742,799 S 11/2015 Zhao
 D744,399 S 12/2015 Juergens et al.
 D744,931 S 12/2015 Curic et al.
 D749,486 S * 2/2016 Huang D12/211
 D751,480 S * 3/2016 Chung D12/209
 D751,481 S 3/2016 Chung
 D751,966 S 3/2016 Zhao
 D754,049 S 4/2016 Valencia
 D756,877 S 5/2016 Huang
 D758,945 S * 6/2016 Zhao D12/211
 D772,133 S 11/2016 Stone et al.
 D775,047 S 12/2016 Wheel
 D782,950 S 4/2017 Hatton
 D782,951 S 4/2017 Bjerke
 D786,768 S 5/2017 Youssef
 D791,035 S 7/2017 Palana

D799,398 S 10/2017 Liffick
 D800,628 S 10/2017 Tran
 D803,129 S 11/2017 McMath
 D806,630 S 1/2018 McMath
 D808,325 S 1/2018 Chung
 D813,137 S 3/2018 Sempek
 D813,780 S 3/2018 Sempek
 D817,844 S 5/2018 Hale, Jr.
 D836,525 S * 12/2018 Sempek D12/211
 D837,713 S * 1/2019 Sempek D12/209
 D852,706 S * 7/2019 Tran D12/211
 D853,933 S * 7/2019 Henderson D12/211
 D855,541 S 8/2019 Li et al.
 D856,245 S 8/2019 Hale, Jr.
 D859,258 S 9/2019 Hale, Jr.
 D883,886 S 5/2020 Sempek
 D885,284 S 5/2020 Han
 D888,637 S * 6/2020 Zhao D12/209
 D888,638 S * 6/2020 Zhao D12/209
 D908,070 S 1/2021 Wheel
 D912,597 S * 3/2021 Sempek D12/211
 D915,981 S 4/2021 Kangas et al.
 D933,562 S * 10/2021 Lee D12/209
 D937,742 S * 12/2021 Sempek D12/211

OTHER PUBLICATIONS

Raceline Wheels, Go Everywhere, Catalog, Apr. 7, 2017, Allied Wheel Components INC, vol. 29, 16 pages.
 Raceline Wheels, Go Everywhere, Catalog, Oct. 16, 2015, Allied Wheel Components INC, vol. 24, 28 pages.
 Raceline Wheels, Go Everywhere, Catalog, Feb. 21, 2017, Allied Wheel Components INC, vol. 22, 9 page.
 Raceline Wheels, Go Everywhere, Catalog, Feb. 21, 2017, Allied Wheel Components INC, vol. 23, 16 pages.
 Raceline Wheels, Go Everywhere, Catalog, Feb. 23, 2017, Allied Wheel Components INC, vol. 28, 20 pages.
 Raceline Wheels, Go Everywhere, Catalog, Mar. 24, 2016, Allied Wheel Components INC, vol. 26, 28 pages.
 Raceline Wheels, Go Everywhere, Catalog, Oct. 24, 2016, Allied Wheel Components INC, vol. 27, 20 pages.
 Raceline Wheels, Go Everywhere, Catalog, Oct. 25, 2017, Allied Wheel Components INC, vol. 30, 20 pages.
 Raceline Wheels, Go Everywhere, Catalog, Jan. 26, 2016, Allied Wheel Components INC, vol. 25, 28 pages.
 Raceline Wheels, Go Everywhere, Catalog, Feb. 27, 2018, Allied Wheel Components INC, vol. 31, 24 pages.
 Raceline Wheels, Go Everywhere, Catalog, Allied Wheel Components INC, vol. 22, 16 pages.
 Raceline Wheels, Go Everywhere, Catalog, Allied Wheel Components INC, vol. 26, 13 pages.

* cited by examiner

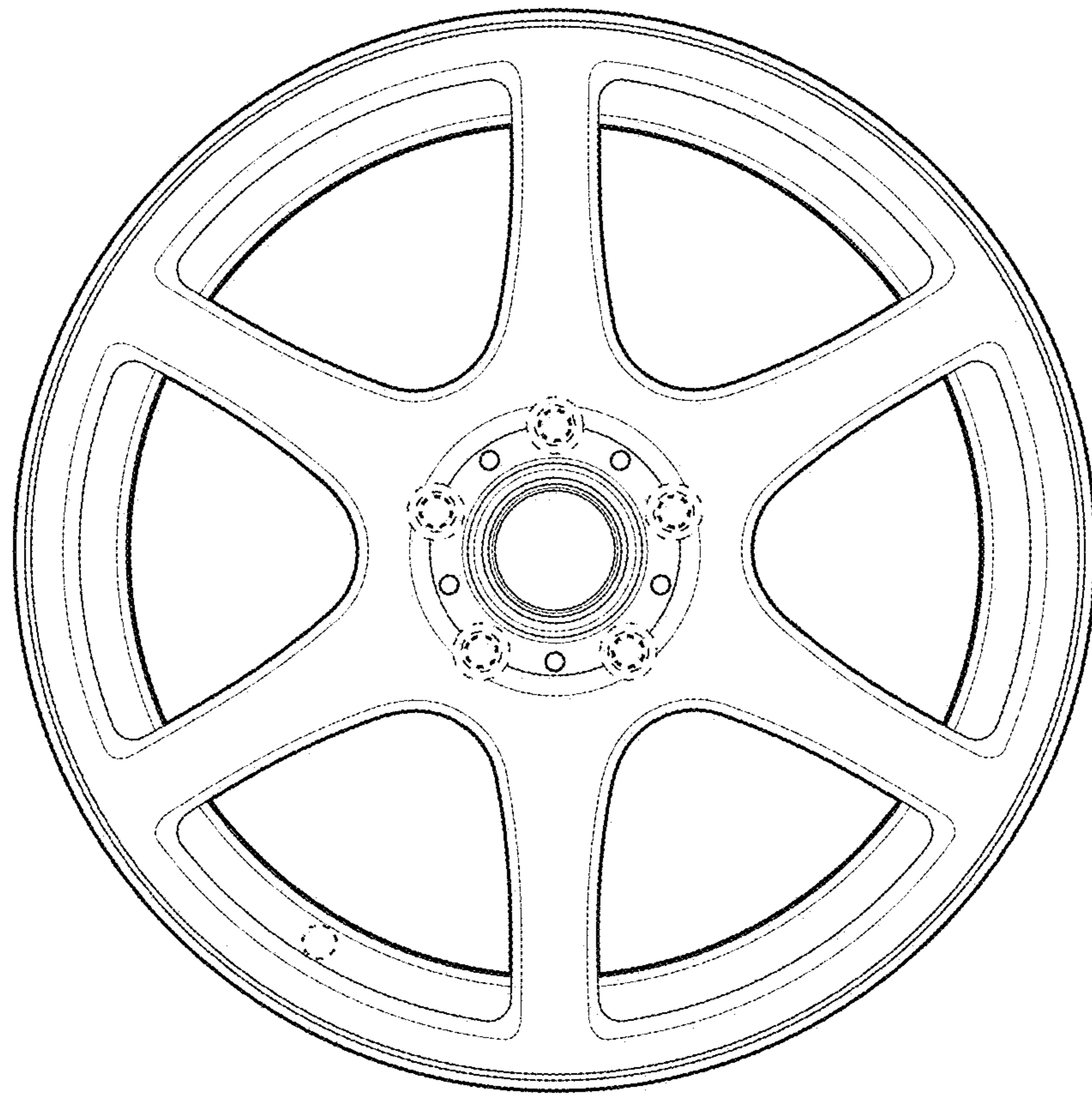


FIG. 1

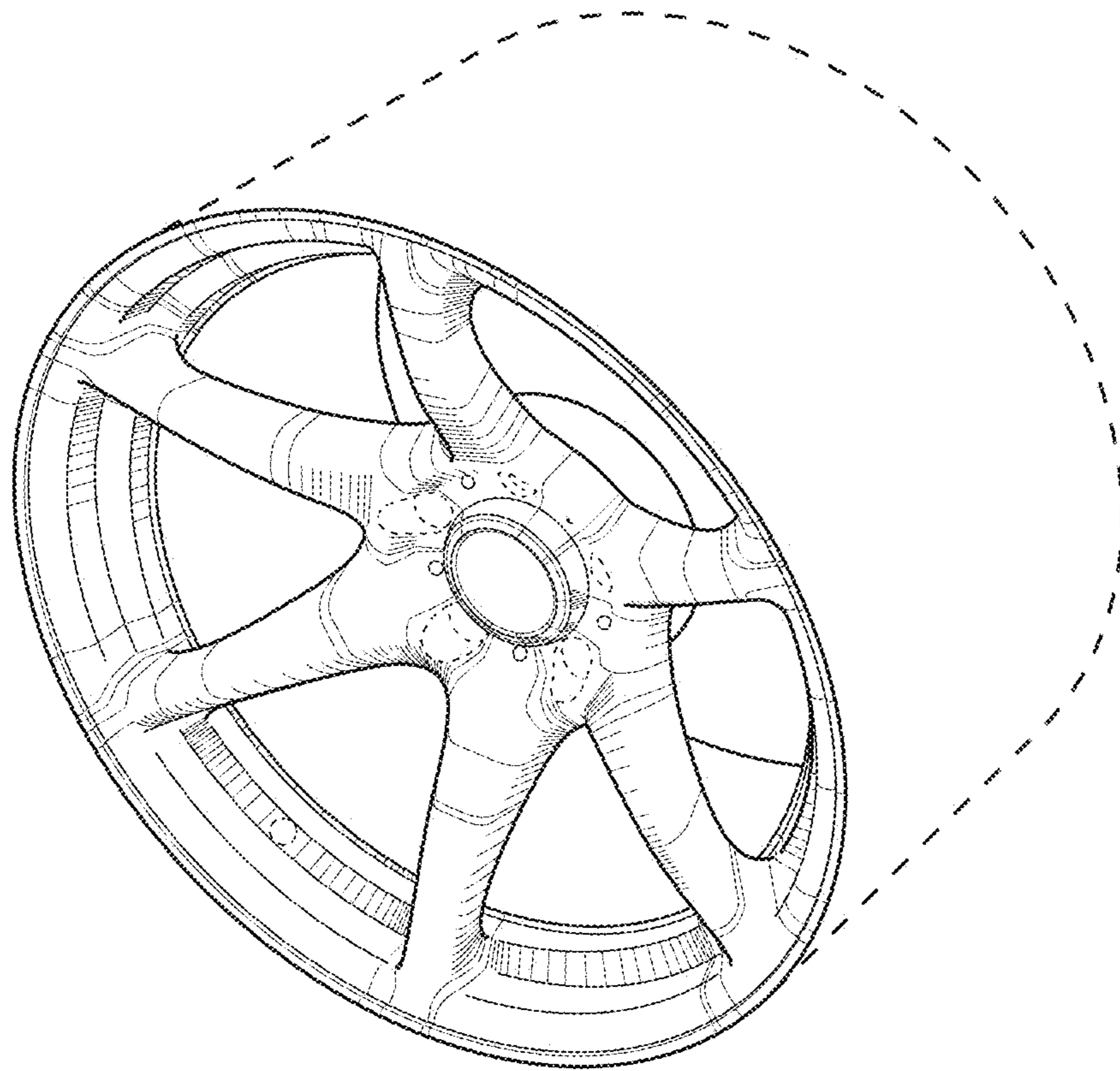


FIG. 2