



US00D954625S

(12) **United States Design Patent** (10) **Patent No.:** **US D954,625 S**
Liang (45) **Date of Patent:** **** Jun. 14, 2022**

(54) **RUNNING BOARD**

(71) Applicant: **WINBO—Dongjian Automotive Technology Co., Ltd., Foshan (CN)**

(72) Inventor: **Yanrong Liang, Foshan (CN)**

(73) Assignee: **WINBO-Dongjian Automotive Technology Co., Ltd.**

(**) Term: **15 Years**

(21) Appl. No.: **29/711,894**

(22) Filed: **Nov. 4, 2019**

(51) **LOC (13) Cl.** **12-16**

(52) **U.S. Cl.**
USPC **D12/203**

(58) **Field of Classification Search**
USPC D12/203, 89, 98, 314, 162, 190, 196
CPC .. B60R 3/002; B60R 3/02; B60R 3/00; B60R 3/005; B60R 3/007
See application file for complete search history.

(56) **References Cited**

U.S. PATENT DOCUMENTS

D434,711 S *	12/2000	McQuiston	D12/203
D488,759 S *	4/2004	Hattori	D12/203
D514,492 S *	2/2006	Metros	D12/203
D546,259 S *	7/2007	Metros	D12/203
7,287,770 B2 *	10/2007	Drabant	B60R 3/002
				280/163
D568,221 S *	5/2008	Cord	D12/203
D596,098 S *	7/2009	Huang-Tsai	D12/203
D632,627 S *	2/2011	Huang-Tsai	D12/203
D747,673 S *	1/2016	Wang	D12/203
D813,135 S *	3/2018	Baeza	D12/203
D817,838 S *	5/2018	Dionisopoulos	D12/203
D817,839 S *	5/2018	Rolfs	D12/203
D840,309 S *	2/2019	Huang	D12/203
D842,791 S *	3/2019	Zhu	D12/203
10,322,676 B2 *	6/2019	Yang	B60R 3/002

D868,661 S *	12/2019	Li	D12/203
D871,292 S *	12/2019	Tsai	D12/203
10,654,418 B2 *	5/2020	He	B60R 3/02
10,668,860 B2 *	6/2020	Yang	B60R 3/002
2005/0067741 A1 *	3/2005	Chapman	B29C 49/20
				264/516

(Continued)

OTHER PUBLICATIONS

“Lund® 23107096—5.5” Crossroads™ Chrome Running Boards”
Lund., [retrieved on Apr. 1, 2021]. Retrieved from the Internet
<URL: <https://www.carid.com/lund/5-5-crossroads-chrome-running-boards-mpn-23107096.html>> (Year: 2017).*

(Continued)

Primary Examiner — Darlington Ly
Assistant Examiner — Nasim Abdulaziz Ali
(74) *Attorney, Agent, or Firm* — Lerner, David, Littenberg, Krumholz & Mentlik, LLP

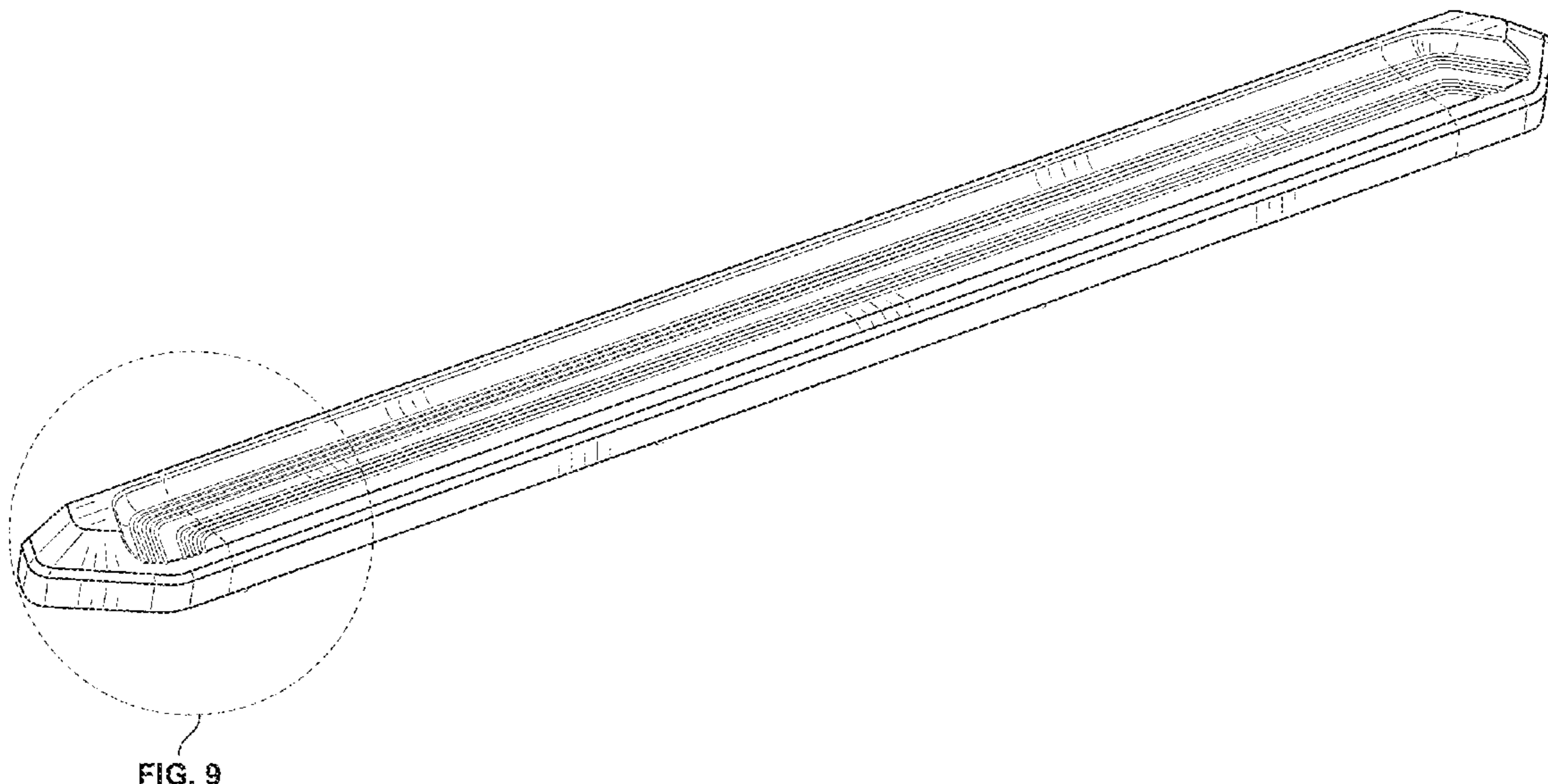
(57) **CLAIM**

The ornamental design for a running board, as shown and described.

DESCRIPTION

FIG. 1 is a front perspective view of a running board embodying of my new design;
FIG. 2 is a front elevation view thereof;
FIG. 3 is a rear elevation view thereof;
FIG. 4 is a right side elevation view thereof;
FIG. 5 is a left side elevation view thereof;
FIG. 6 is a top plan view thereof;
FIG. 7 is a bottom plan view thereof;
FIG. 8 is a bottom and rear perspective view thereof; and,
FIG. 9 is an enlarged view of the portion of the running board identified in FIG. 1.
The broken lines shown in the drawings illustrate portions of the running board that form no part of the claimed design.

1 Claim, 6 Drawing Sheets



(56)

References Cited

U.S. PATENT DOCUMENTS

2011/0266766 A1* 11/2011 Huang-Tsai B60R 3/00
280/169

OTHER PUBLICATIONS

“Romik RB2 Polished Running Boards” Romik., posted date Jan. 12, 2017 [online], [retrieved on Apr. 1, 2021]. Retrieved from the Internet <URL: <https://runningboardwarehouse.com/p/romik-rb2-polished-running-boards/>> (Year: 2017).*

“TAC Running Boards” Hammerhead., posted date Jun. 17, 2014 [online], [retrieved on Apr. 1, 2021]. Retrieved from the Internet <URL: <https://tinyurl.com/3mmsdaet>> (Year: 2014).*

* cited by examiner

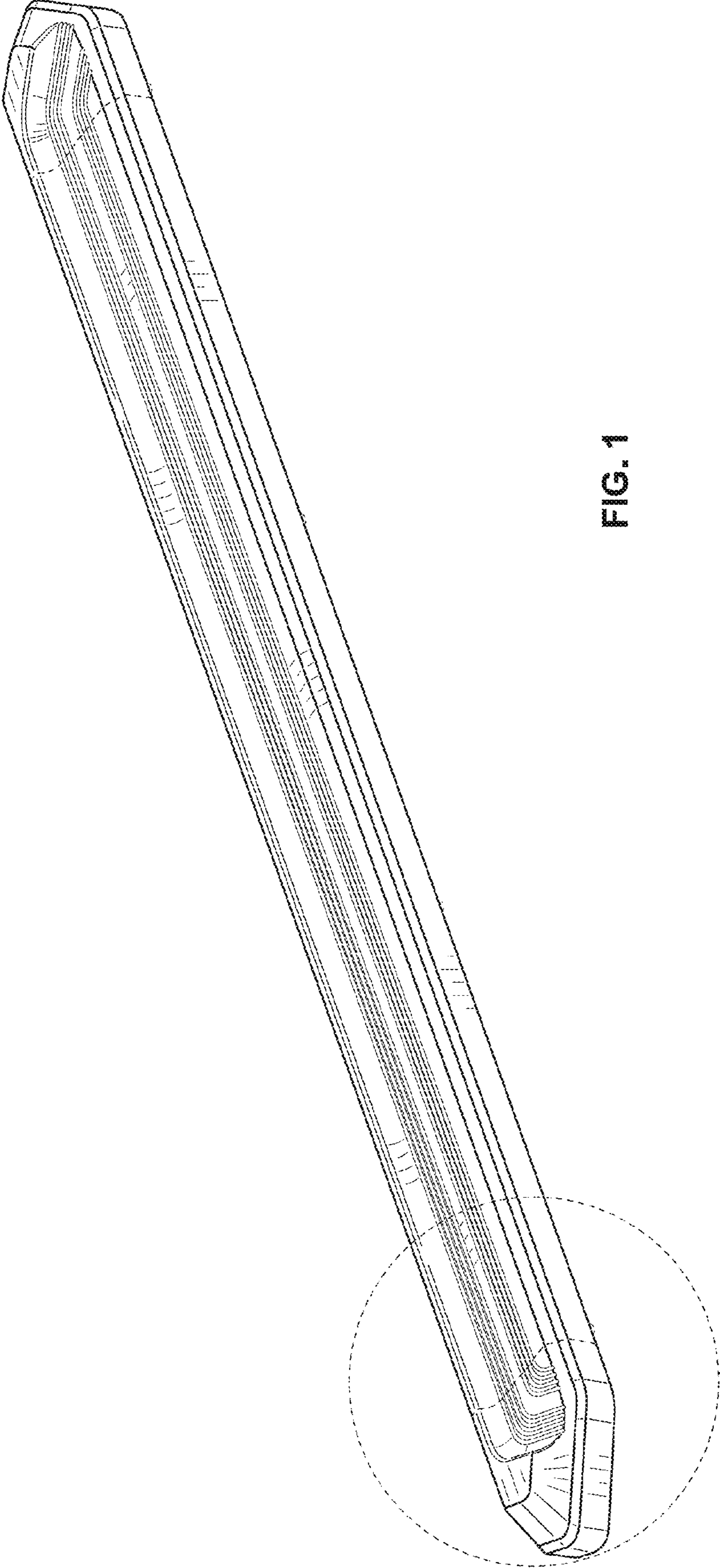


FIG. 1

FIG. 9

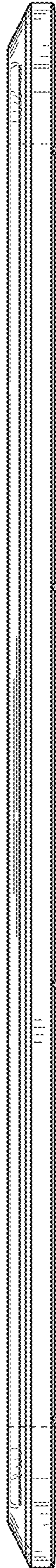


FIG. 2



FIG. 3



FIG. 5



FIG. 4

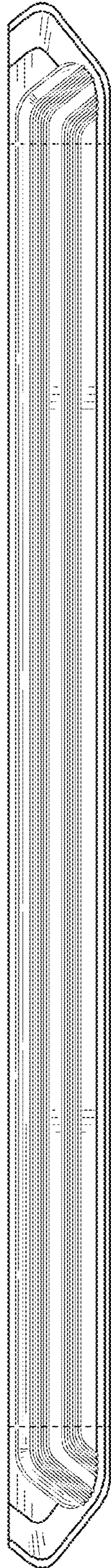


FIG. 6

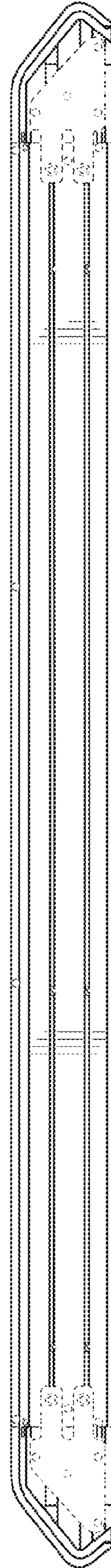


FIG. 7

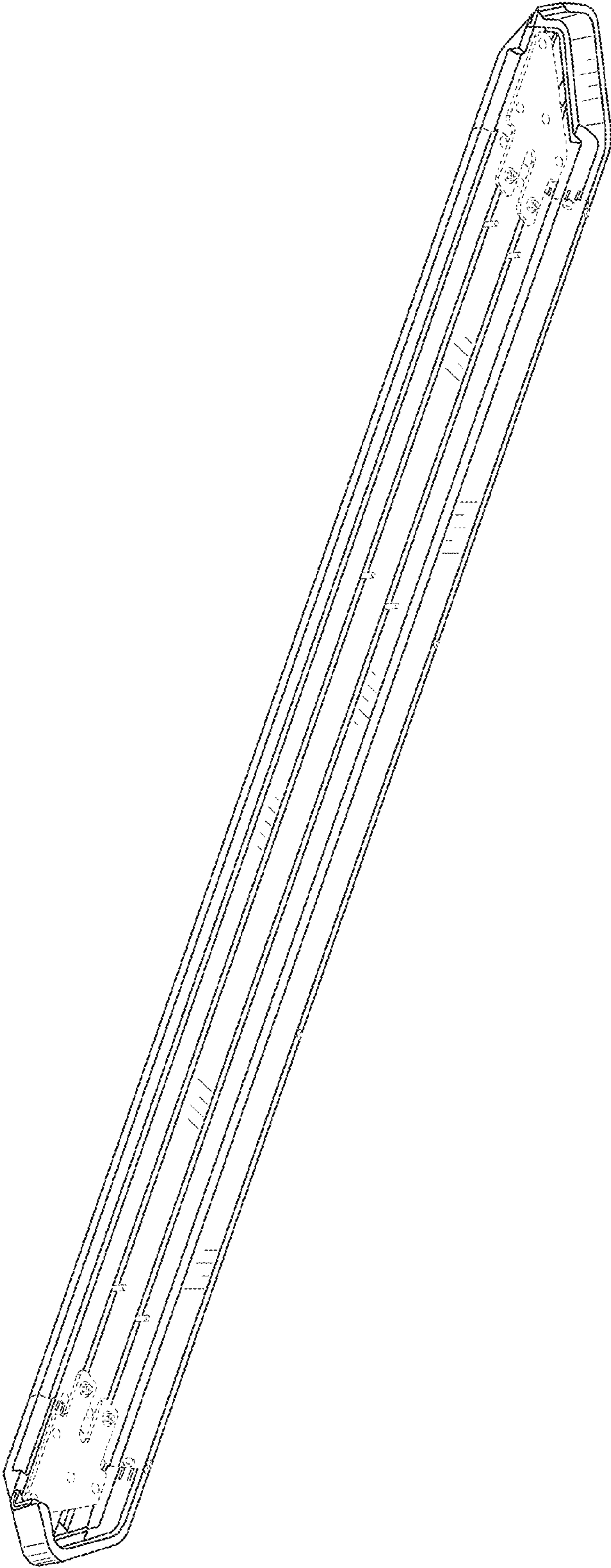


FIG. 8

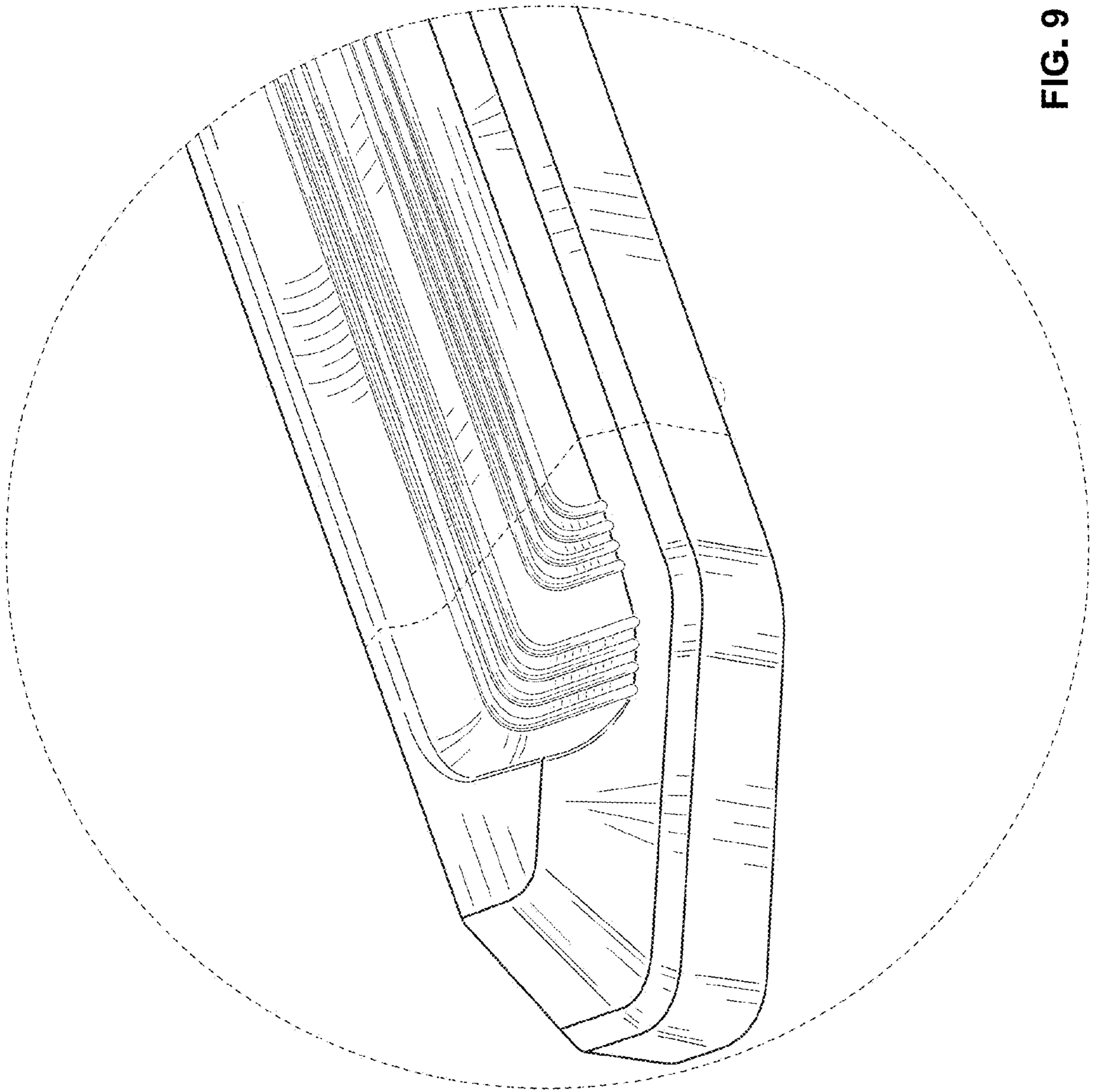


FIG. 9