



US00D954624S

(12) **United States Design Patent**
Gasevski et al.

(10) **Patent No.:** **US D954,624 S**
(45) **Date of Patent:** **** Jun. 14, 2022**

- (54) **REAR FASCIA LOWER APPLIQUE**
- (71) Applicants: **Lou L. Gasevski**, West Bloomfield, MI (US); **Kohl J. Kohrman**, Macomb, MI (US); **Mark C. Trostle**, Rochester, MI (US); **Brian H. Nielander**, Royal Oak, MI (US)
- (72) Inventors: **Lou L. Gasevski**, West Bloomfield, MI (US); **Kohl J. Kohrman**, Macomb, MI (US); **Mark C. Trostle**, Rochester, MI (US); **Brian H. Nielander**, Royal Oak, MI (US)
- (73) Assignee: **FCA US LLC**, Auburn Hills, MI (US)
- (**) Term: **15 Years**
- (21) Appl. No.: **29/808,688**
- (22) Filed: **Sep. 22, 2021**

Related U.S. Application Data

- (63) Continuation-in-part of application No. 29/720,402, filed on Jan. 13, 2020, now Pat. No. Des. 932,944.
- (51) **LOC (13) Cl.** **12-16**
- (52) **U.S. Cl.**
USPC **D12/196**
- (58) **Field of Classification Search**
USPC D12/86, 90-92, 163, 169, 196
CPC B60R 19/52; B60R 2019/25; B62D 25/084
See application file for complete search history.

References Cited

U.S. PATENT DOCUMENTS

- D932,394 S * 10/2021 Akcay D12/169
- D932,396 S * 10/2021 Giumentaro D12/169
- D932,957 S * 10/2021 Schmolz D12/169

- D933,549 S * 10/2021 Fischer D12/169
- D934,134 S * 10/2021 Giumentaro D12/169
- D934,756 S * 11/2021 Akcay D12/169
- D934,761 S * 11/2021 Giumentaro D12/169
- D936,535 S * 11/2021 Huang D12/169
- D937,154 S * 11/2021 Akcay D12/169
- D938,319 S * 12/2021 Iwanaga D12/169
- D938,321 S * 12/2021 Kushima D12/169
- D939,407 S * 12/2021 Bischoff D12/169
- D940,019 S * 1/2022 Kubo D12/169

OTHER PUBLICATIONS

Grille Inserts. (Design—© Questel) orbit.com. [Online PDF compilation of references] 39 pgs. Print Dates Range Jun. 29, 2021-Dec. 14, 2020 [Retrieved Jan. 6, 2022].*

(Continued)

Primary Examiner — Manpreet S Matharu
Assistant Examiner — Suzanne E Tisdell
(74) *Attorney, Agent, or Firm* — Ralph E. Smith

(57) **CLAIM**

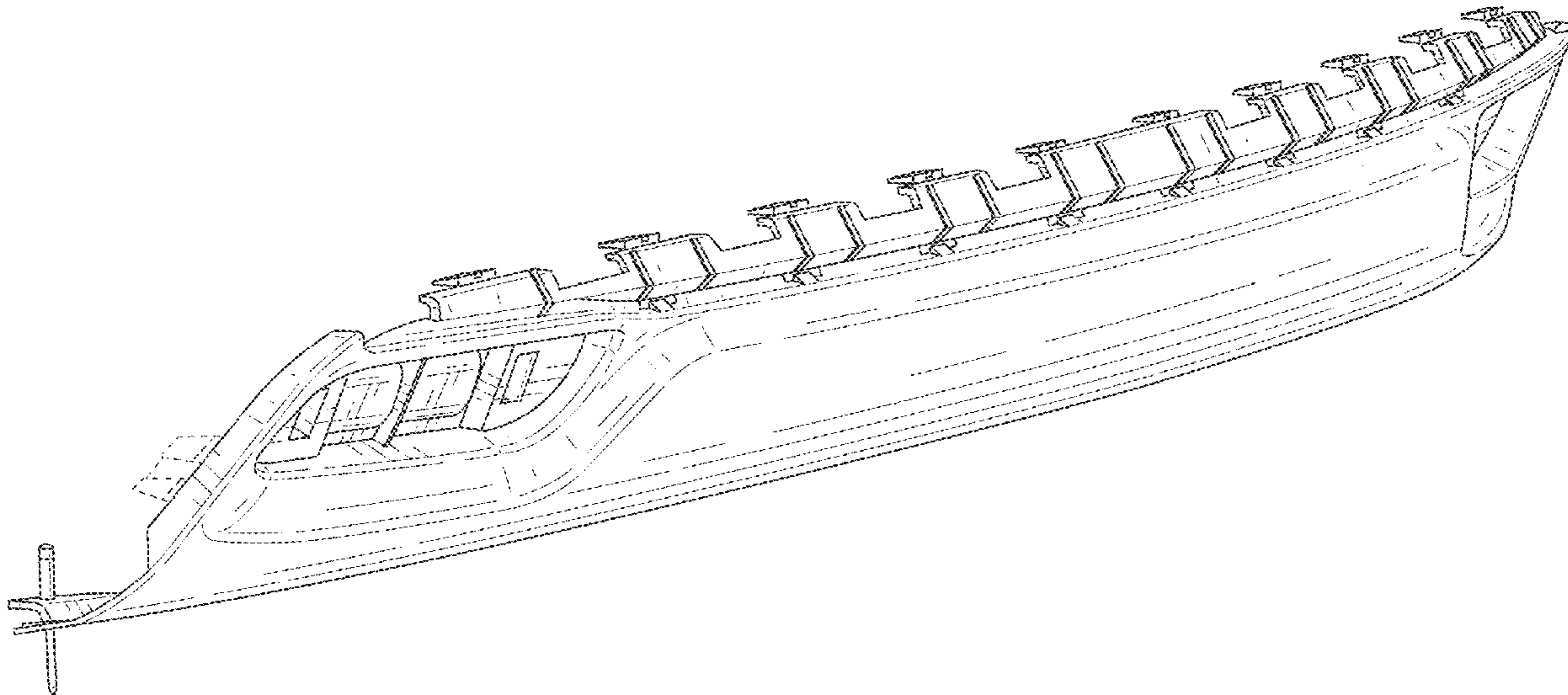
The ornamental design for a rear fascia lower applique, as shown and described.

DESCRIPTION

FIG. 1 is a front perspective view of a rear fascia lower applique showing our new design;
FIG. 2 is a front view thereof;
FIG. 3 is a rear view thereof;
FIG. 4 is a side view thereof;
FIG. 5 is an opposite side view thereof;
FIG. 6 is a top view thereof; and,
FIG. 7 is a bottom view thereof.

It will be understood that the broken lines shown in the drawings illustrate portions of the rear fascia lower applique that form no part of the claimed design.

1 Claim, 5 Drawing Sheets



(56)

References Cited

OTHER PUBLICATIONS

2016 2018 Honda Pilot Front Lower Bumper Trim. 2018. College Hills Honda. <https://www.collegehillshonda.com/product/08P46-TG7-100A.html>.*

Replace® CH1015119PP—Front Lower Bumper Cover. 2018. CariD. <https://www.carid.com/replace/front-lower-bumper-cover-mpn-ch1015119pp.html>.*

Coast to Coast International Body Parts TO1000203PP . 2002. CariD. <https://www.carid.com/replace/front-bumper-cover-mpn-to1000203pp.html>.*

* cited by examiner

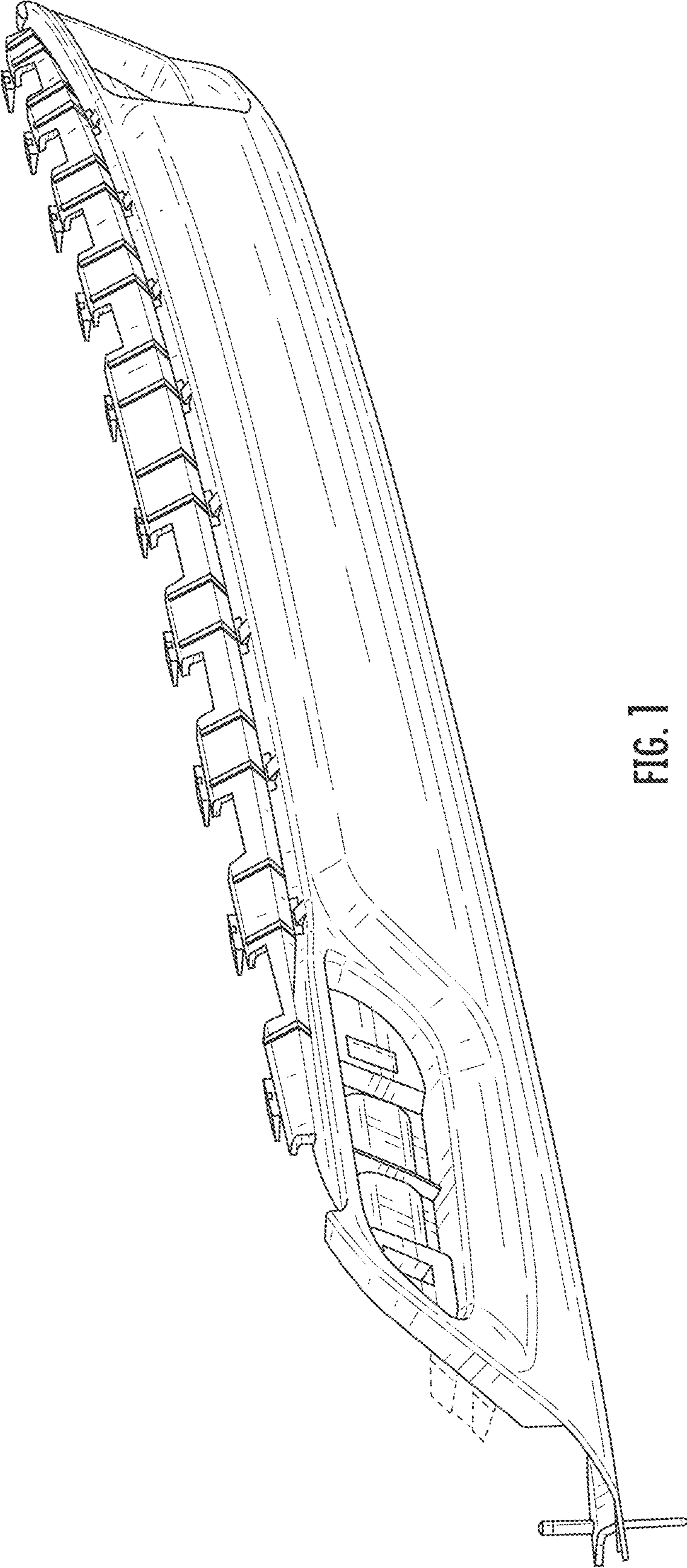


FIG. 1

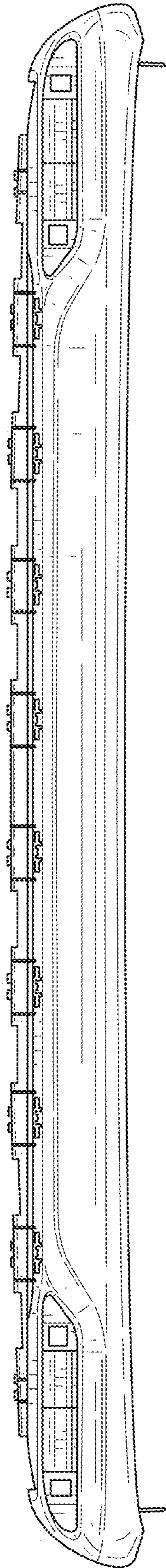


FIG. 2

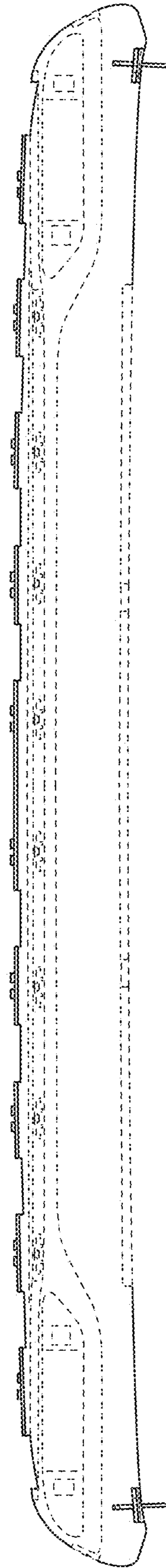


FIG. 3

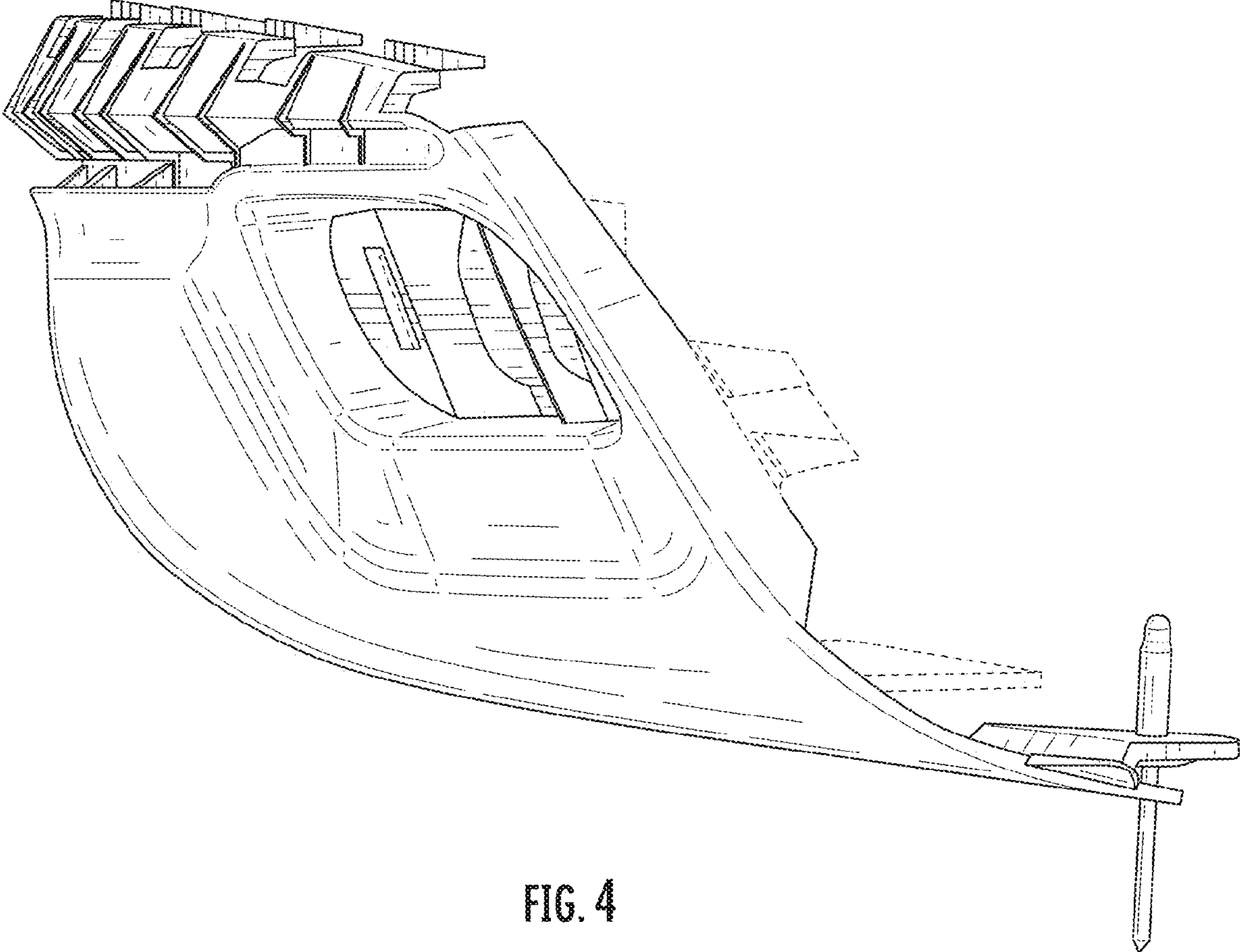
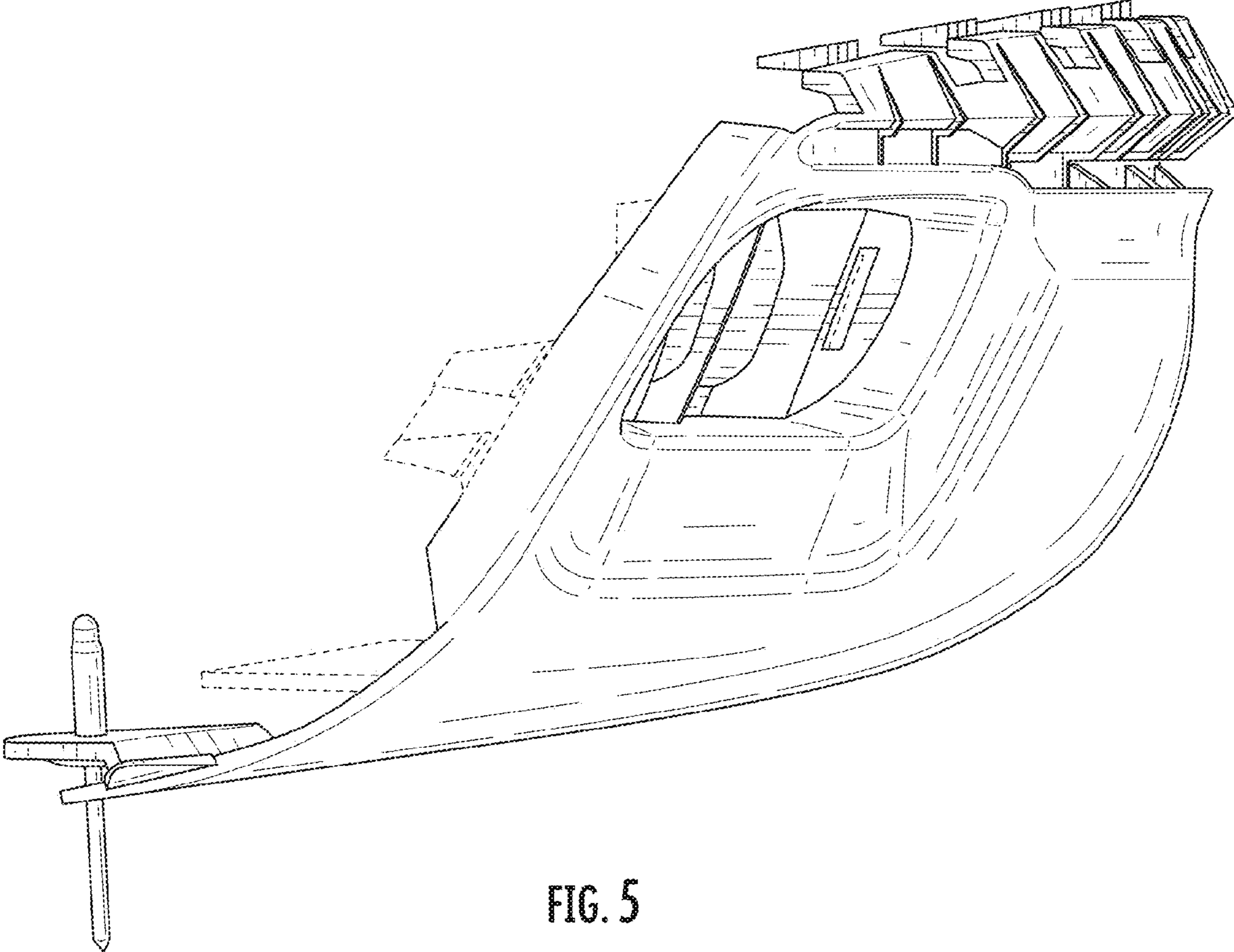


FIG. 4



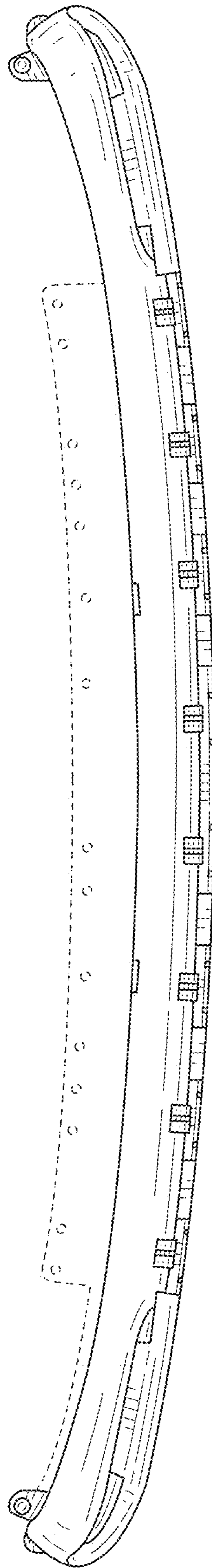


FIG. 6

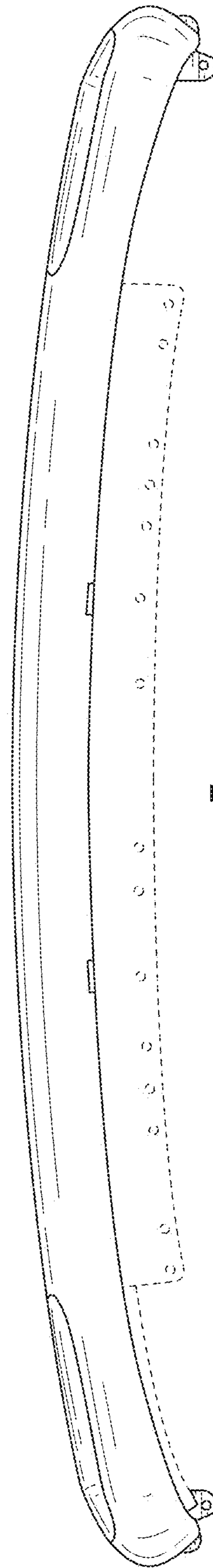


FIG. 7