



US00D954622S

(12) **United States Design Patent**
Wraith et al.

(10) **Patent No.:** **US D954,622 S**
(45) **Date of Patent:** **** Jun. 14, 2022**

- (54) **VEHICLE REAR SWING GATE**
- (71) Applicant: **Ford Global Technologies, LLC**,
Dearborn, MI (US)
- (72) Inventors: **Paul Wraith**, West Bloomfield, MI (US); **Martin B. Coons**, Detroit, MI (US); **Anthony Meyer**, Royal Oak, MI (US); **Young Kwon**, Cologne (DE); **Joseph F. Denatale, Jr.**, Royal Oak, MI (US)
- (73) Assignee: **Ford Global Technologies, LLC**,
Dearborn, MI (US)
- (**) Term: **15 Years**
- (21) Appl. No.: **29/726,430**
- (22) Filed: **Mar. 3, 2020**
- (51) **LOC (13) Cl.** **12-16**
- (52) **U.S. Cl.**
USPC **D12/196**
- (58) **Field of Classification Search**
USPC D12/86, 90, 91, 92, 93, 163, 164, 166,
D12/167, 169, 171, 172, 173, 190, 196,
D12/216; D3/318
CPC B62D 24/02; B62D 25/00; B62D 25/003;
B62D 25/02; B62D 25/08; B62D
33/0273; B62D 33/03; B62D 33/037
See application file for complete search history.

- D859,254 S * 9/2019 Izard D12/196
- D887,333 S * 6/2020 Owens D12/196
- D890,054 S * 7/2020 Platto D12/196
- D897,255 S * 9/2020 Zipfel D12/196
- D899,988 S * 10/2020 Trepanier D12/196
- D908,570 S * 1/2021 Zavatski D12/196
- D908,572 S * 1/2021 Langhals D12/196

OTHER PUBLICATIONS

Tailgates. Design—© Questel) orbit.com. [Online PDF compilation of references] 64 pgs. Print Dates Oct. 30, 2020-Jan. 10, 2018 [Retrieved Jun. 15, 2021].*

(Continued)

Primary Examiner — Manpreet S Matharu
Assistant Examiner — Suzanne E Tisdell

(57) **CLAIM**

The ornamental design for a vehicle rear swing gate, as shown and described.

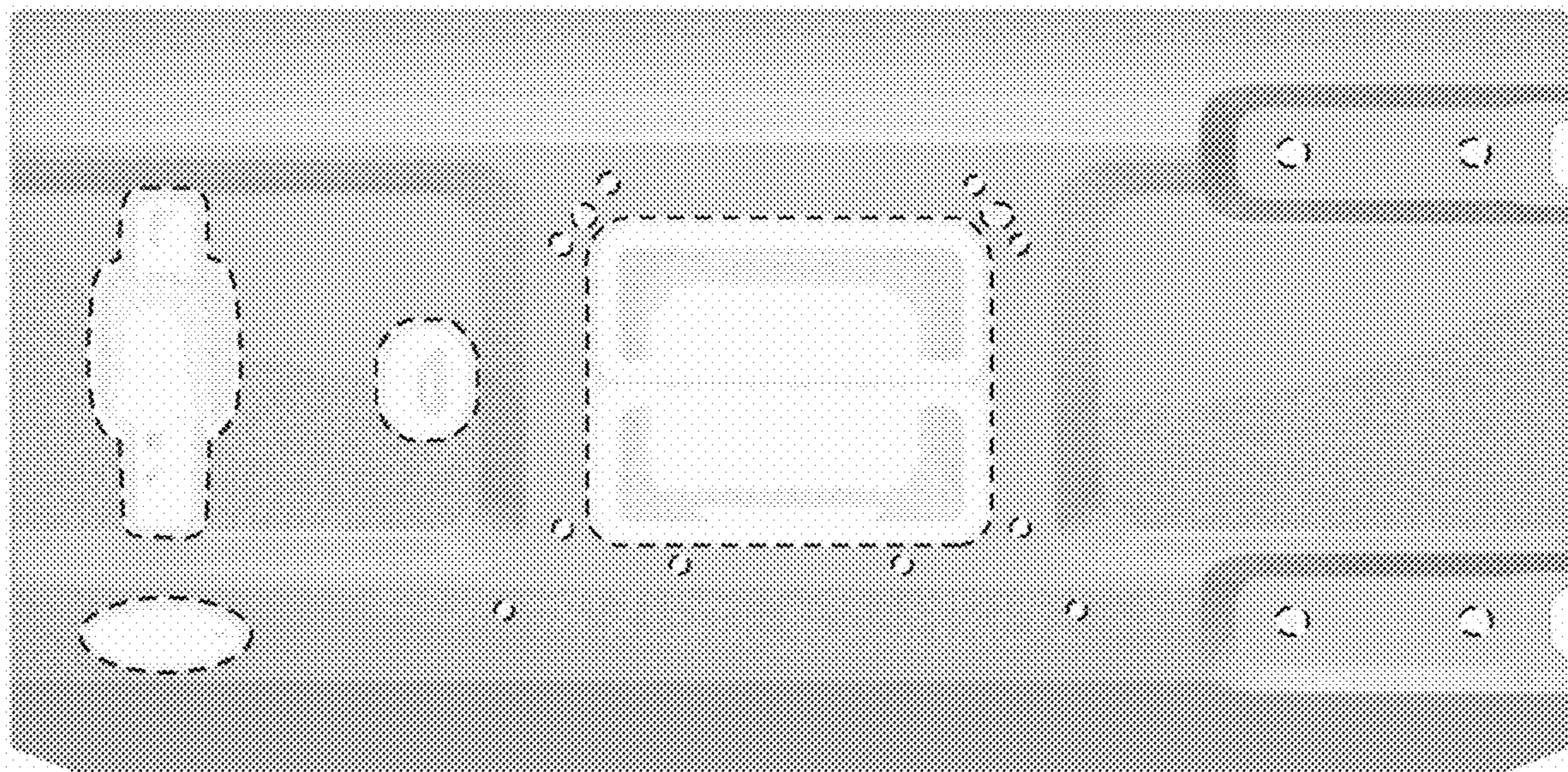
DESCRIPTION

FIG. 1 is a front elevational view of a vehicle rear swing gate, showing our new design;
 FIG. 2 is a left side elevational view thereof;
 FIG. 3 is a right side elevational view thereof;
 FIG. 4 is a top plan view thereof;
 FIG. 5 is a bottom plan view thereof;
 FIG. 6 is a top, front and left side perspective view thereof;
 and,
 FIG. 7 is a bottom, front and left side perspective view thereof.

Portions of the vehicle rear swing gate bordered in broken lines and shown in half-tone, de-emphasized shading for no part of the claimed design. Neither the broken lines themselves nor the lighter areas contained within the broken lines form any part of the claimed design.

1 Claim, 7 Drawing Sheets

- (56) **References Cited**
U.S. PATENT DOCUMENTS
- D840,306 S * 2/2019 Kozub D12/196
- D849,627 S * 5/2019 Zipfel D12/196
- D849,628 S * 5/2019 Von Holzhausen D12/196
- D851,004 S * 6/2019 Jackson D12/196
- D855,529 S * 8/2019 Dewitt D12/196
- D856,882 S * 8/2019 Ninov D12/196



(56)

References Cited

OTHER PUBLICATIONS

Walsworth, Jack. "Cute-utes and Swinging Gates: What People are Saying About the Ford EcoSport." Feb. 7, 2017. Automotive News. <https://www.autonews.com/article/20170207/OEM04/302079939/cute-utes-and-swinging-gates-what-people-are-saying-about-the-ford-ecosport> (Year: 2017).*

"Til the New EcoSport is Available with a Swing Gate Mounted Full-Size Spare Tire." 2018. Reddit. https://www.reddit.com/r/Ford/comments/8p6fn1/til_the_new_ecosport_is_available_with_a_swing/ (Year: 2018).*

Capparella, Joey. "2021 Ford Bronco: Get the Inside Story Before the Official Reveal." Jan. 9, 2020. Car and Driver. <https://www.caranddriver.com/news/a30434471/new-ford-bronco-design/> (Year: 2020).*

Unknown, My observations from seeing see the actual 4-door Bronco raw, unpainted sheet metal shell, Feb. 15, 2020 <https://www.bronco6g.com/forum/threads/my-observations-from-seeing-see-the-actual-4-door-bronco-raw-unpainted-sheet-metal-shell.1048/>.

Unknown, Here's the 2021 Bronco's Tail Light Shape Illuminated, Feb. 19, 2020 <https://www.bronco6g.com/forum/threads/heres-the-2021-broncos-tail-light-shape-illuminated.1071/>.

Unknown, 2021 Bronco Interior Spied Undisguised!!, Feb. 25, 2020 <https://www.bronco6g.com/forum/threads/2021-bronco-interior-spied-undisguised.1096/>.

* cited by examiner

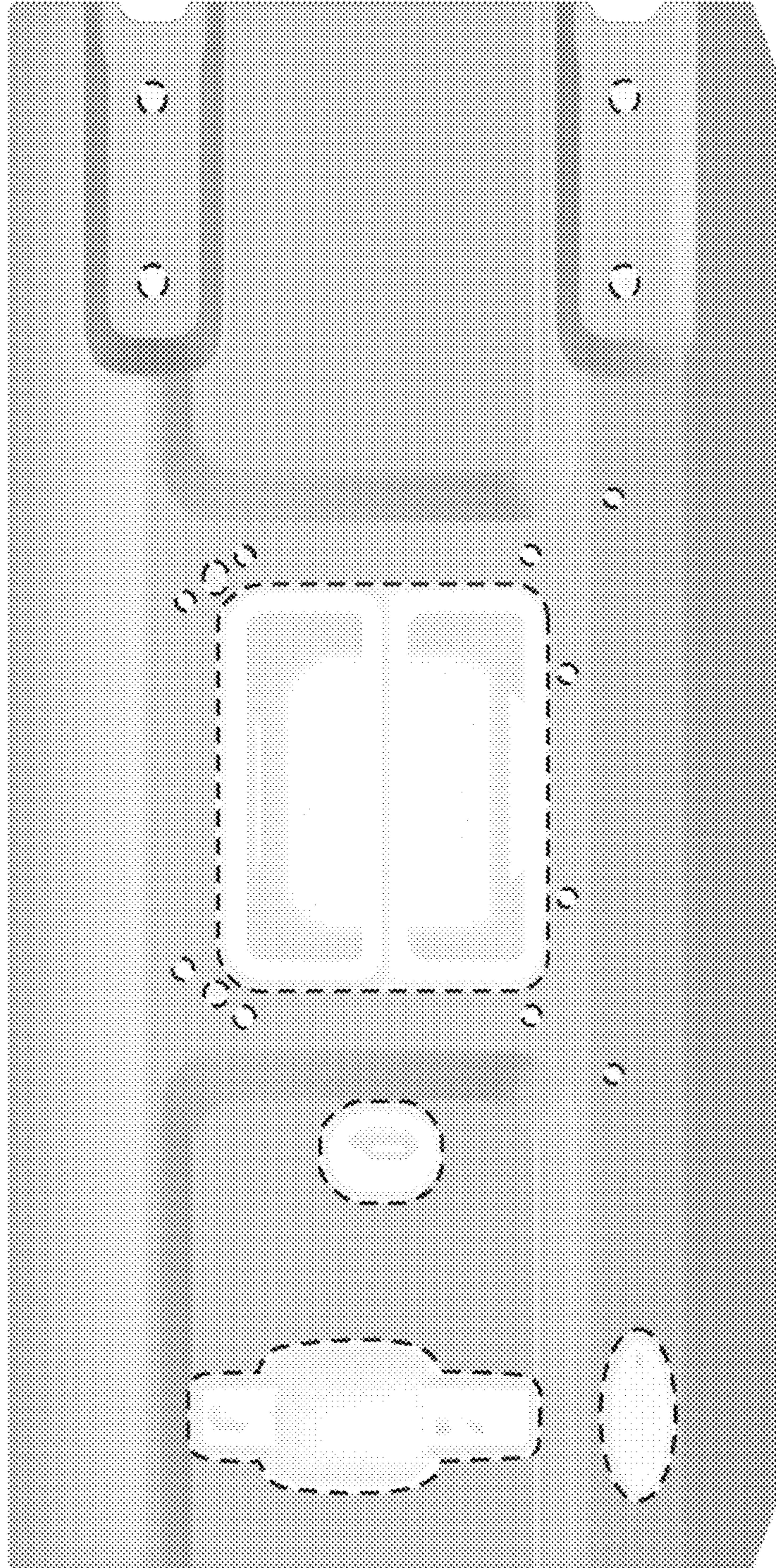


Fig. 1

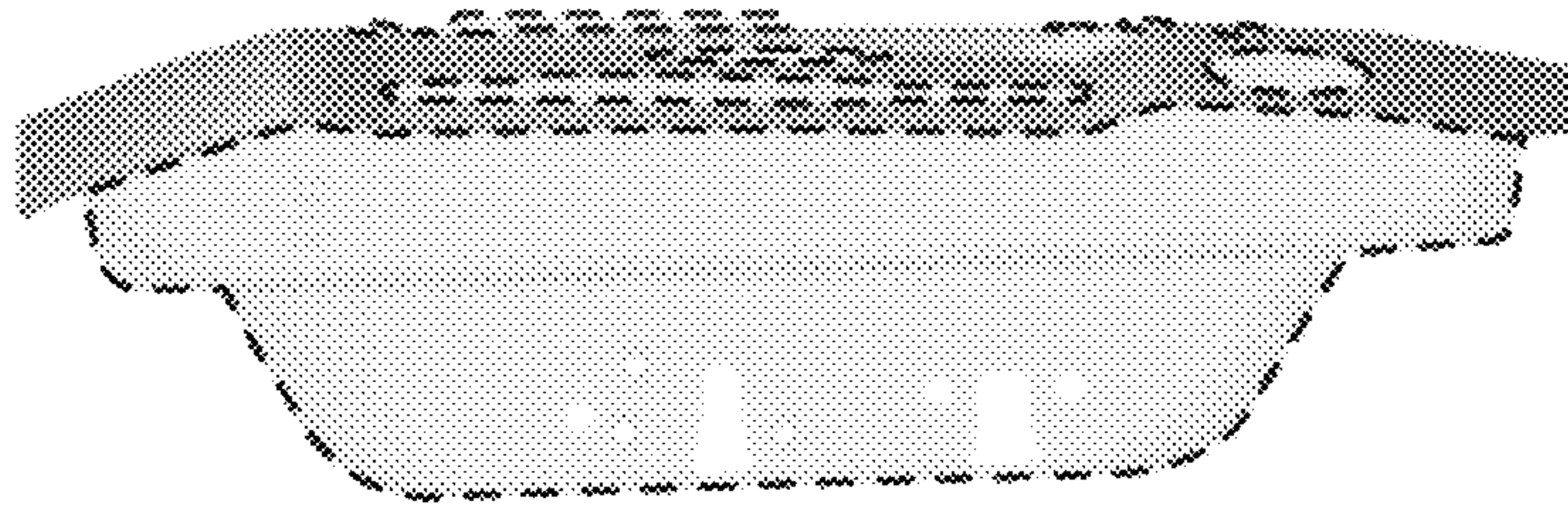


Fig. 2



Fig. 3

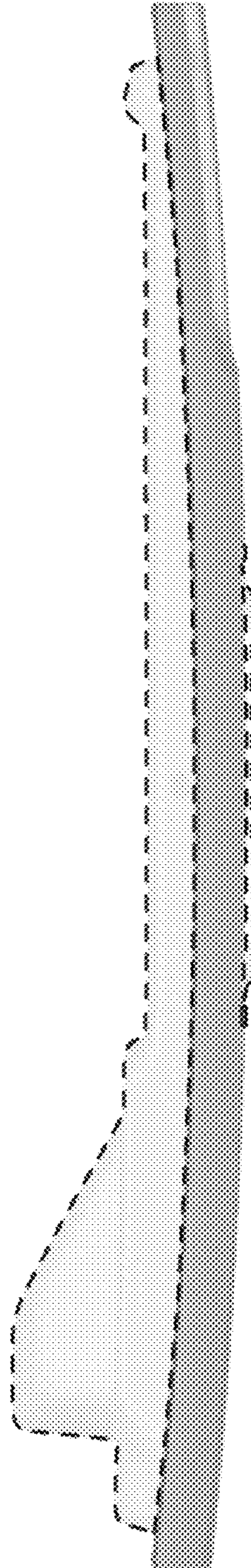


Fig.4

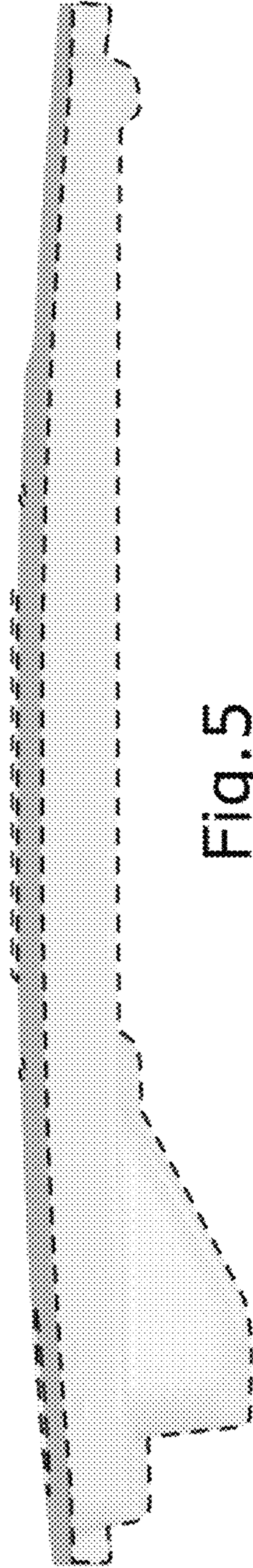


Fig. 5

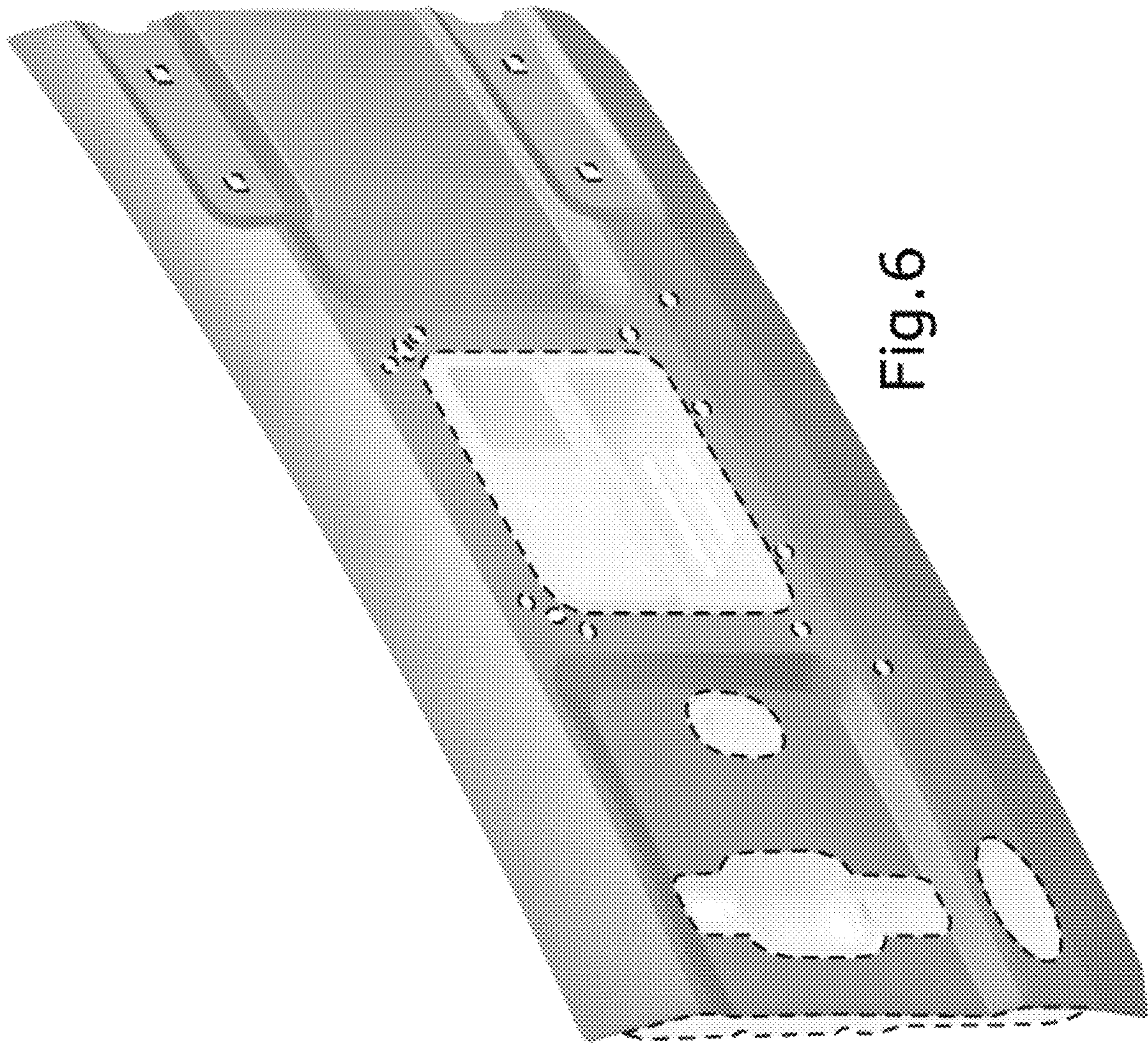


Fig. 6

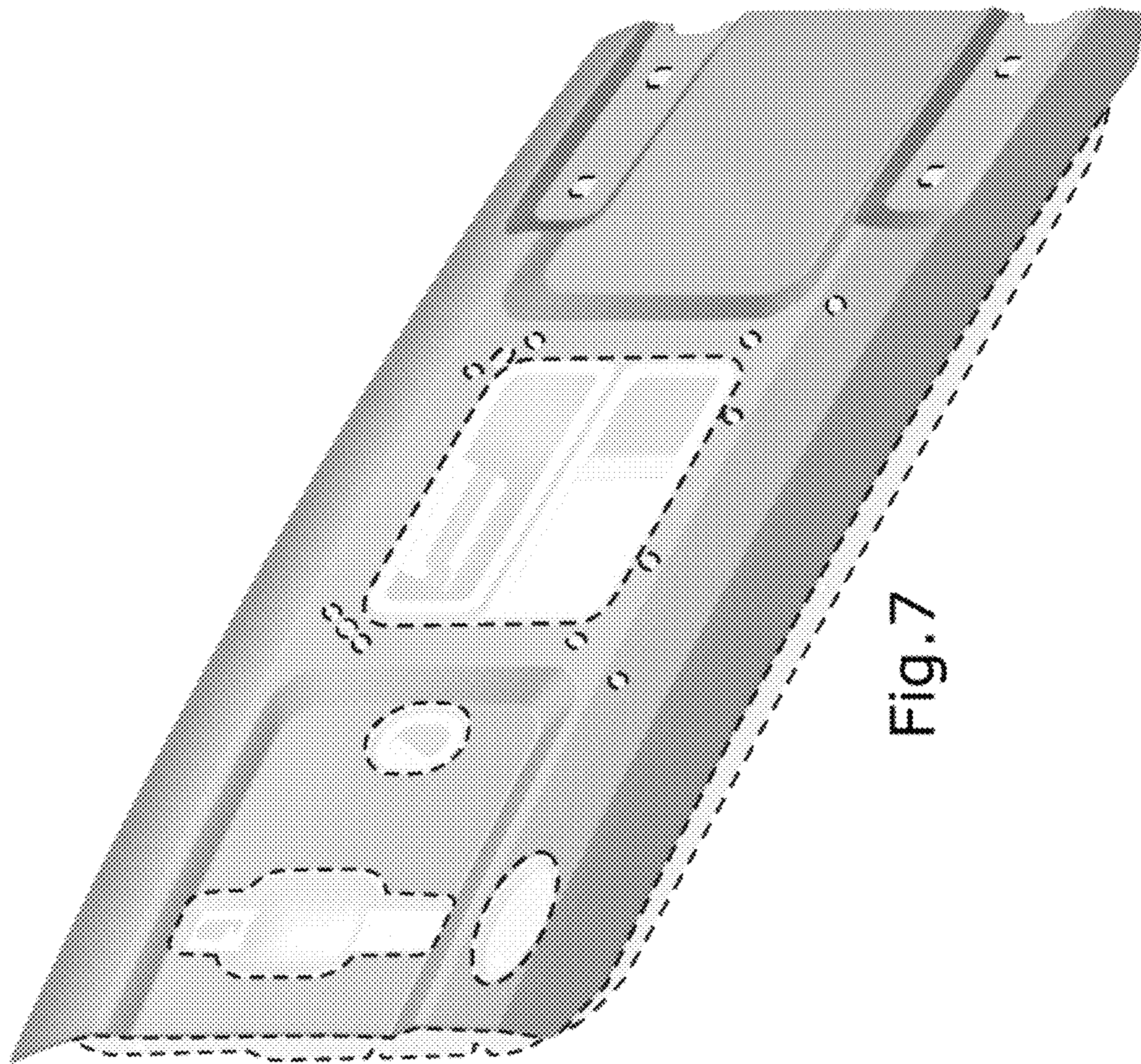


Fig. 7