



US00D954621S

(12) **United States Design Patent**
Dos Santos et al.

(10) **Patent No.:** **US D954,621 S**
(45) **Date of Patent:** **** Jun. 14, 2022**

(54) **HOOD FOR A VEHICLE**

D709,408 S * 7/2014 Peltola D12/96
D862,319 S * 10/2019 Duncan D12/173
D862,322 S * 10/2019 Duncan D12/173

(71) Applicant: **Daimler AG**, Stuttgart (DE)

(Continued)

(72) Inventors: **Rafael Dos Santos**, Portland, OR (US);
Jeffrey Cotner, Portland, OR (US);
Matthew Rodrigues, Oregon City, OR (US);
Edwin Ng, West Linn, OR (US);
Michael Dawson, Boring, OR (US);
Steven Powell, Beaverton, OR (US)

OTHER PUBLICATIONS

Western Star 49X, Published date unavailable [online], [retrieved on Jan. 13, 2022]. Retrieved from the Internet: <https://www.westernstartrucks.com/trucks/49x/gallery/> (Year: 2022).*

(Continued)

(73) Assignee: **Daimler AG**, Stuttgart (DE)

Primary Examiner — Cary M Robinson

Assistant Examiner — Adam C Mager

(**) Term: **15 Years**

(74) *Attorney, Agent, or Firm* — Crowell & Moring LLP

(21) Appl. No.: **29/763,262**

(22) Filed: **Dec. 22, 2020**

(57) **CLAIM**

(51) **LOC (13) Cl.** **12-08**

The ornamental design for a hood for a vehicle, as shown and described.

(52) **U.S. Cl.**

USPC **D12/173**

(58) **Field of Classification Search**

USPC ... D12/1, 14, 82, 86, 87, 89, 90, 91, 92, 93,
D12/96, 97, 98, 99, 164, 167, 169, 170,
D12/171, 172, 173, 181, 184, 185, 190,
D12/192, 196; D21/533, 548, 552, 561
CPC B62D 25/02; B62D 25/10; B62D 25/12;
B62D 25/105; B62D 25/08; B62D
23/005; B60R 19/00

See application file for complete search history.

DESCRIPTION

This application contains subject matter related to the following co-pending U.S. design patent applications: Application Ser. No. 29/763,257, filed herewith and entitled “Truck Cab, Toy, and/or Replicas Thereof”; and Application Ser. No. 29/763,263, filed herewith and entitled “Hood for a Vehicle”.

FIG. 1 is a right, front perspective view of a hood for a vehicle according to the design, the left, front perspective view being a mirror image thereof;

FIG. 2 is a front view thereof;

FIG. 3 is a left side view thereof, the right side view being a mirror image thereof; and,

FIG. 4 is a top view thereof.

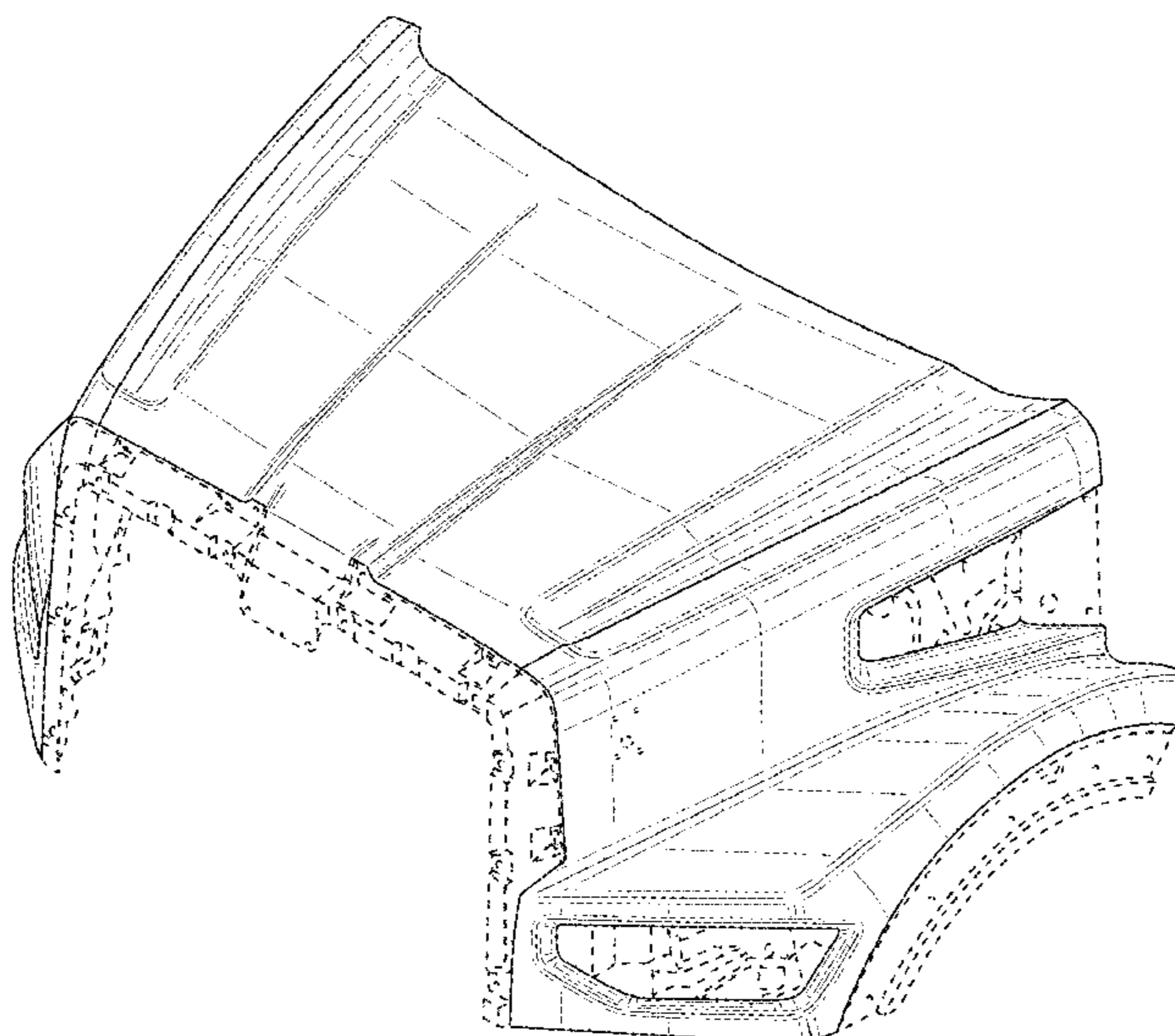
The broken lines in the drawings illustrate portions of the hood for a vehicle and forms no part of the claimed design.

(56) **References Cited**

U.S. PATENT DOCUMENTS

D391,908 S * 3/1998 Allendorph D12/173
D435,816 S * 1/2001 Delashaw D12/173
D436,563 S * 1/2001 Delashaw D12/173
D484,077 S * 12/2003 Conway D12/173
D502,901 S * 3/2005 Delashaw D12/173
D654,401 S * 2/2012 Peltola D12/96
D707,161 S * 6/2014 Peltola D12/173
D708,985 S * 7/2014 Peltola D12/96
D708,986 S * 7/2014 Conway D12/96

1 Claim, 4 Drawing Sheets



(56)

References Cited

U.S. PATENT DOCUMENTS

D891,331 S 7/2020 Dickman et al.

OTHER PUBLICATIONS

“Daimler Trucks präsentiert neuen Western Star-Lkw für spezielle Arbeitsgebiete in Nordamerika,” Spotlight, Daimler Truck, Daimler, Sep. 30, 2020, pp. 1-4, Daimler Truck AG, Stuttgart, Germany.

* cited by examiner

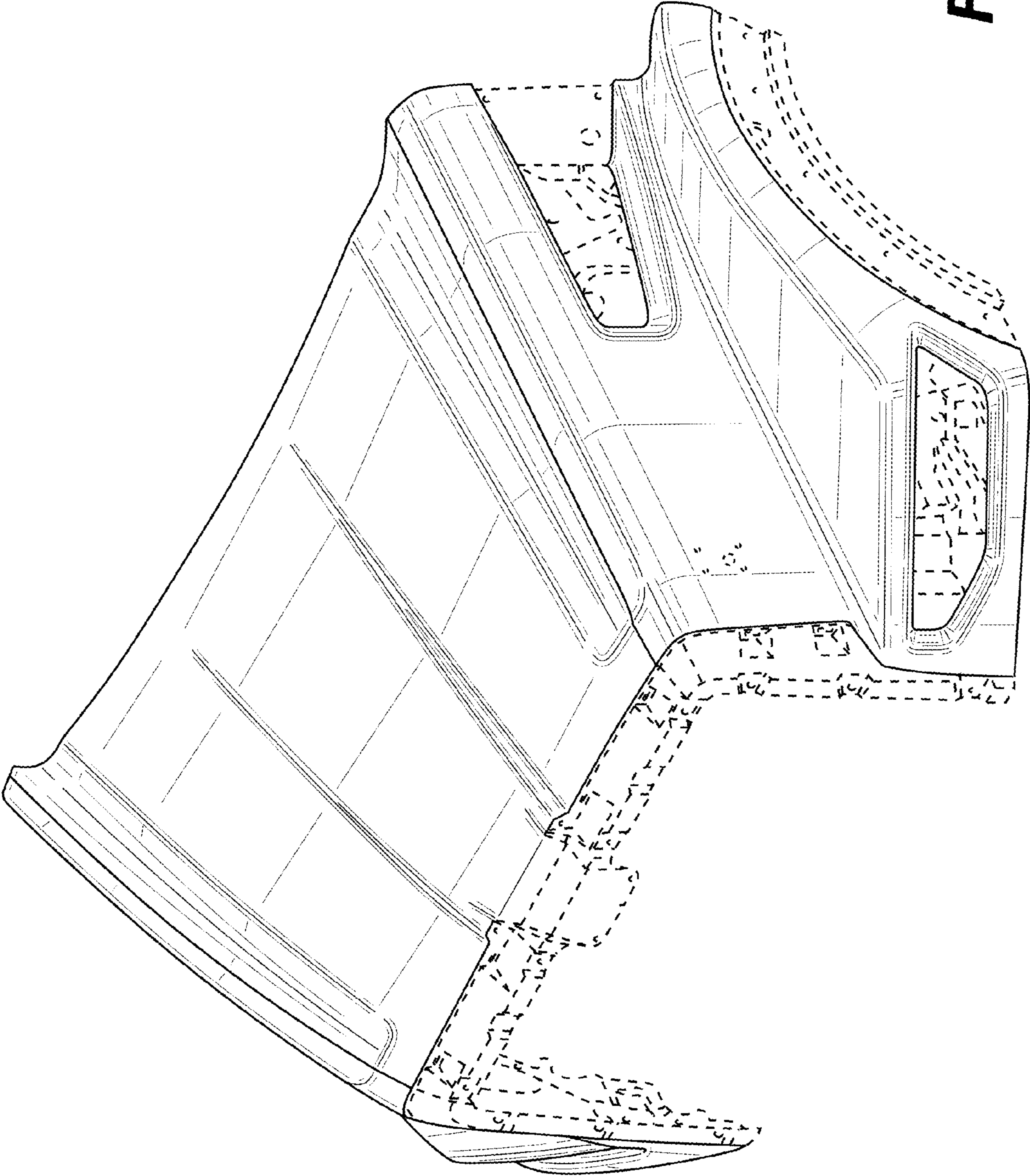


FIG. 1

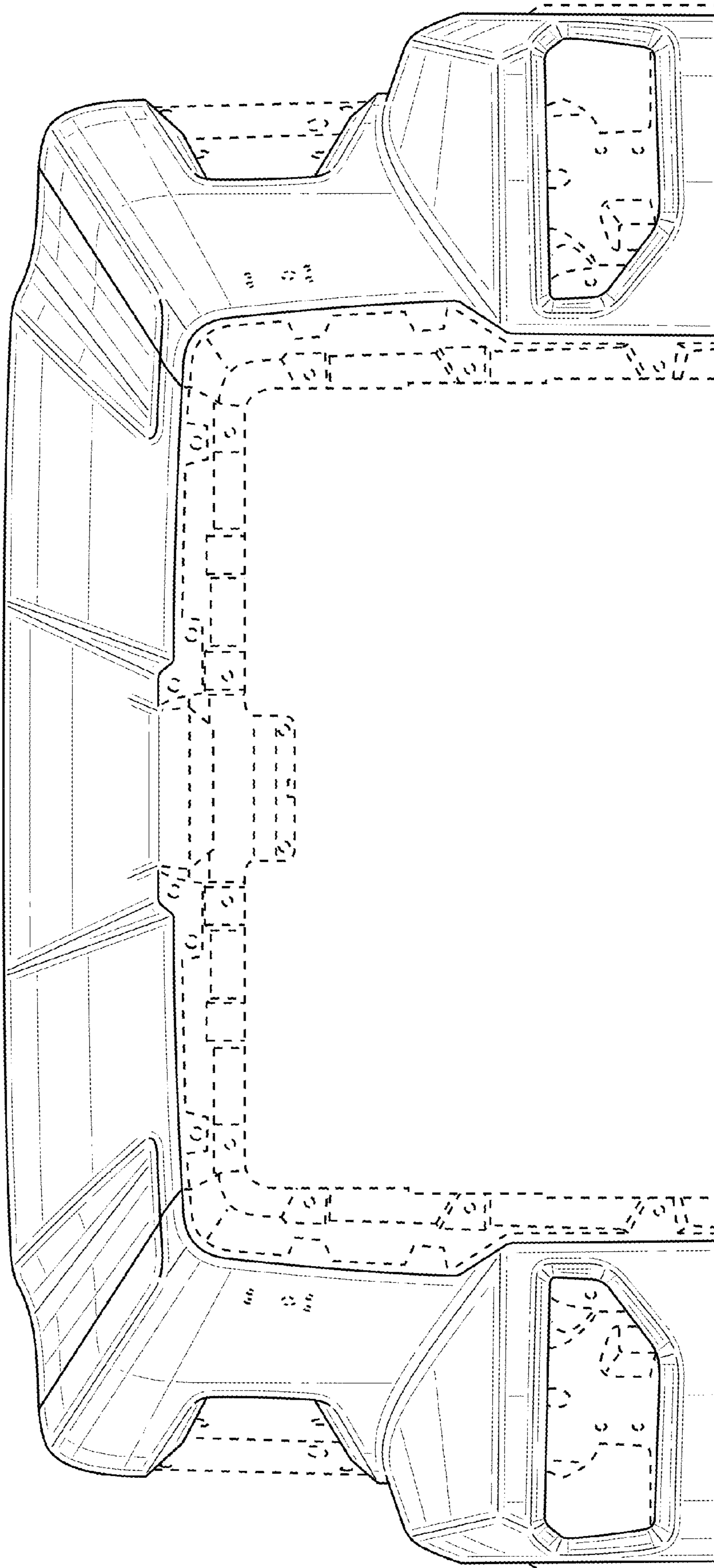


FIG. 2

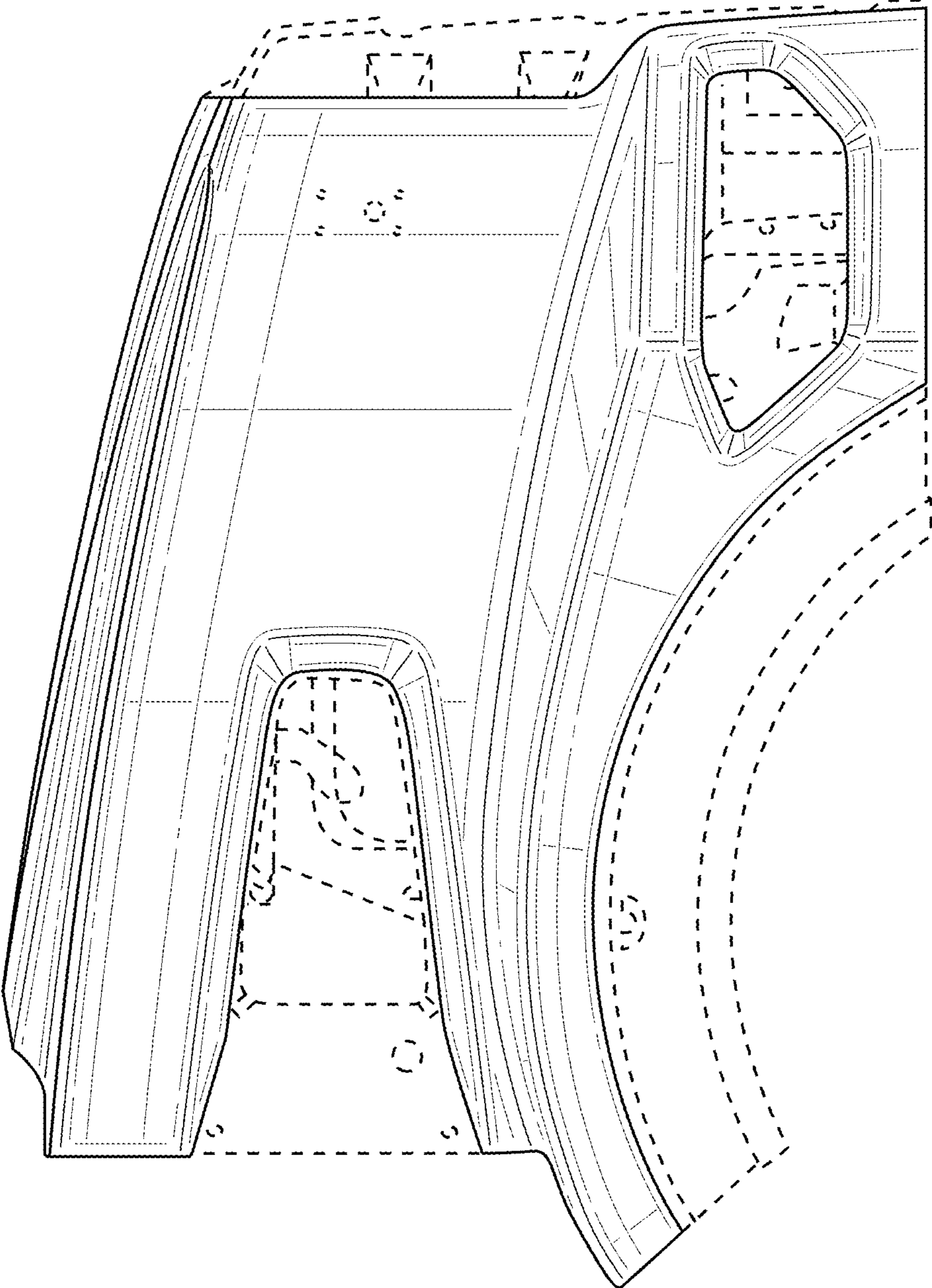


FIG. 3

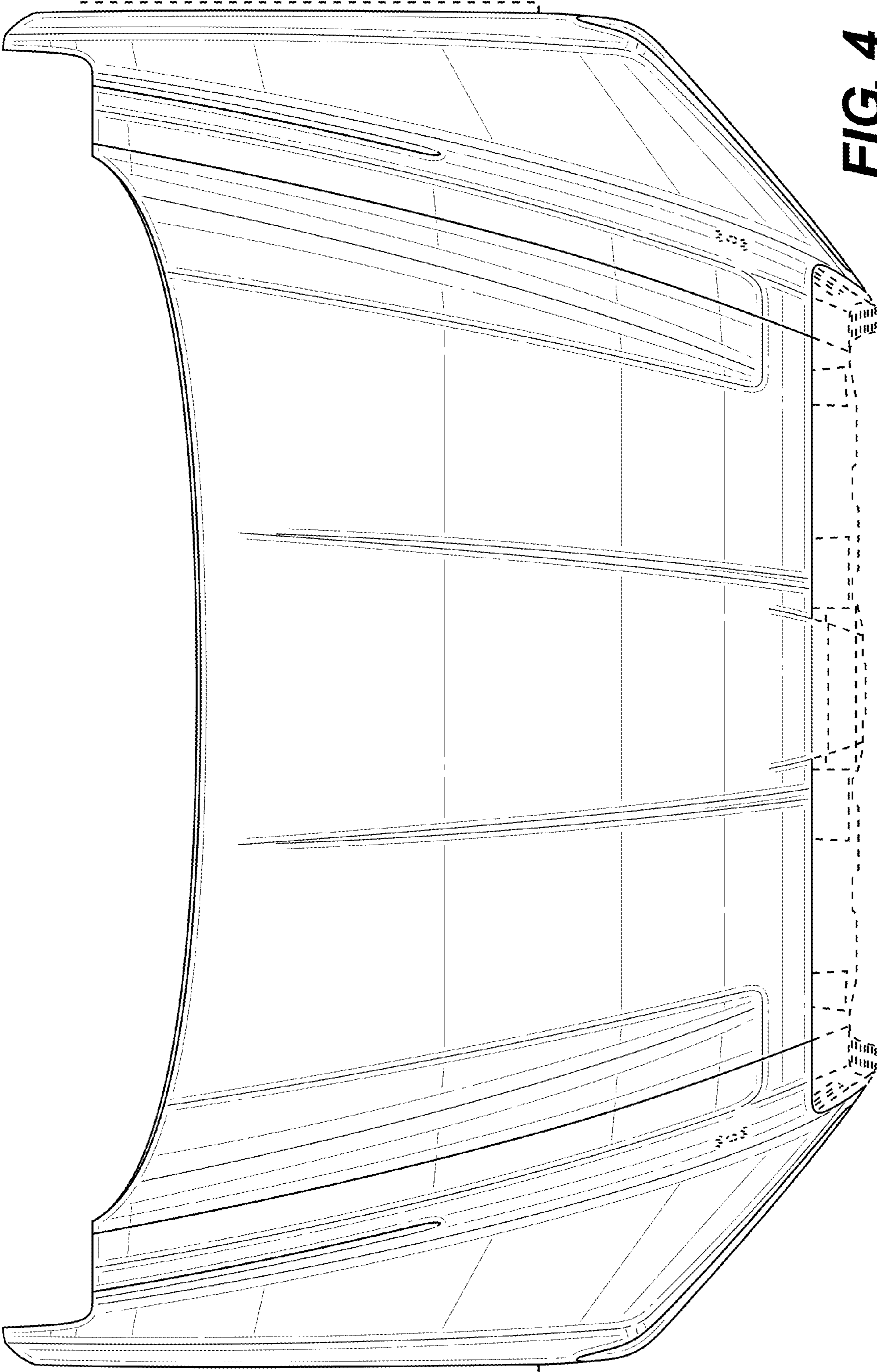


FIG. 4