



US00D954615S

(12) **United States Design Patent**  
**Hamilton et al.**

(10) **Patent No.:** **US D954,615 S**  
(45) **Date of Patent:** **\*\* Jun. 14, 2022**

- (54) **VEHICLE REAR BUMPER CAP**
- (71) Applicant: **Ford Global Technologies, LLC**,  
Dearborn, MI (US)
- (72) Inventors: **Christopher Hamilton**, Chelmsford  
(GB); **Jordan Bennett**, Brentwood  
(GB); **Simon Collins**, Sevenoaks (GB);  
**Daniel Rodriguez-Ramiro**, London  
(GB); **Elvir Mesalic**, Plymouth, MI  
(US)
- (73) Assignee: **Ford Global Technologies, LLC**,  
Dearborn, MI (US)

D617,698 S *	6/2010	Lamm	.....	D12/169
D626,470 S *	11/2010	Komuro	.....	D12/169
D637,122 S *	5/2011	Lamm	.....	D12/169
D663,659 S *	7/2012	Platto	.....	D12/169
D669,826 S *	10/2012	Svensson	.....	D12/169
D688,991 S *	9/2013	Song	.....	D12/169
D798,200 S *	9/2017	Zavatski	.....	D12/169
D798,203 S *	9/2017	Shiu	.....	D12/169
D799,388 S *	10/2017	Smock	.....	D12/169
D820,744 S *	6/2018	Woodhouse	.....	D12/169
D820,745 S *	6/2018	Woodhouse	.....	D12/169
D853,289 S *	7/2019	Woodhouse	.....	D12/169
D901,343 S *	11/2020	Bucher	.....	D12/169
D902,800 S *	11/2020	Gay	.....	D12/169
D906,905 S *	1/2021	Bucher	.....	D12/169
D915,249 S *	4/2021	Bischoff	.....	D12/169

(\*\*) Term: **15 Years**

(21) Appl. No.: **29/731,715**

(22) Filed: **Apr. 17, 2020**

(51) **LOC (13) Cl.** ..... **12-16**

(52) **U.S. Cl.**  
USPC ..... **D12/169**

(58) **Field of Classification Search**  
USPC .... D12/86, 88, 89, 90, 91, 92, 93, 163, 164,  
D12/167, 169, 173, 181, 184, 185, 190,  
D12/192, 196, 223, 400; D21/533, 548,  
D21/552, 561  
CPC ..... B60R 19/00; B60R 19/02; B60R 19/18;  
B60R 19/24; B60R 19/56; B60R  
2019/007; B60R 13/04; B60K 11/08;  
B62D 25/02; B62D 25/08  
See application file for complete search history.

(56) **References Cited**

**U.S. PATENT DOCUMENTS**

D454,097 S *	3/2002	Takehara	.....	D12/169
D507,513 S *	7/2005	Kamimura	.....	D12/169
D575,695 S *	8/2008	Opfer	.....	D12/169

\* cited by examiner

*Primary Examiner* — Cary M Robinson  
*Assistant Examiner* — Adam C Mager

(57) **CLAIM**

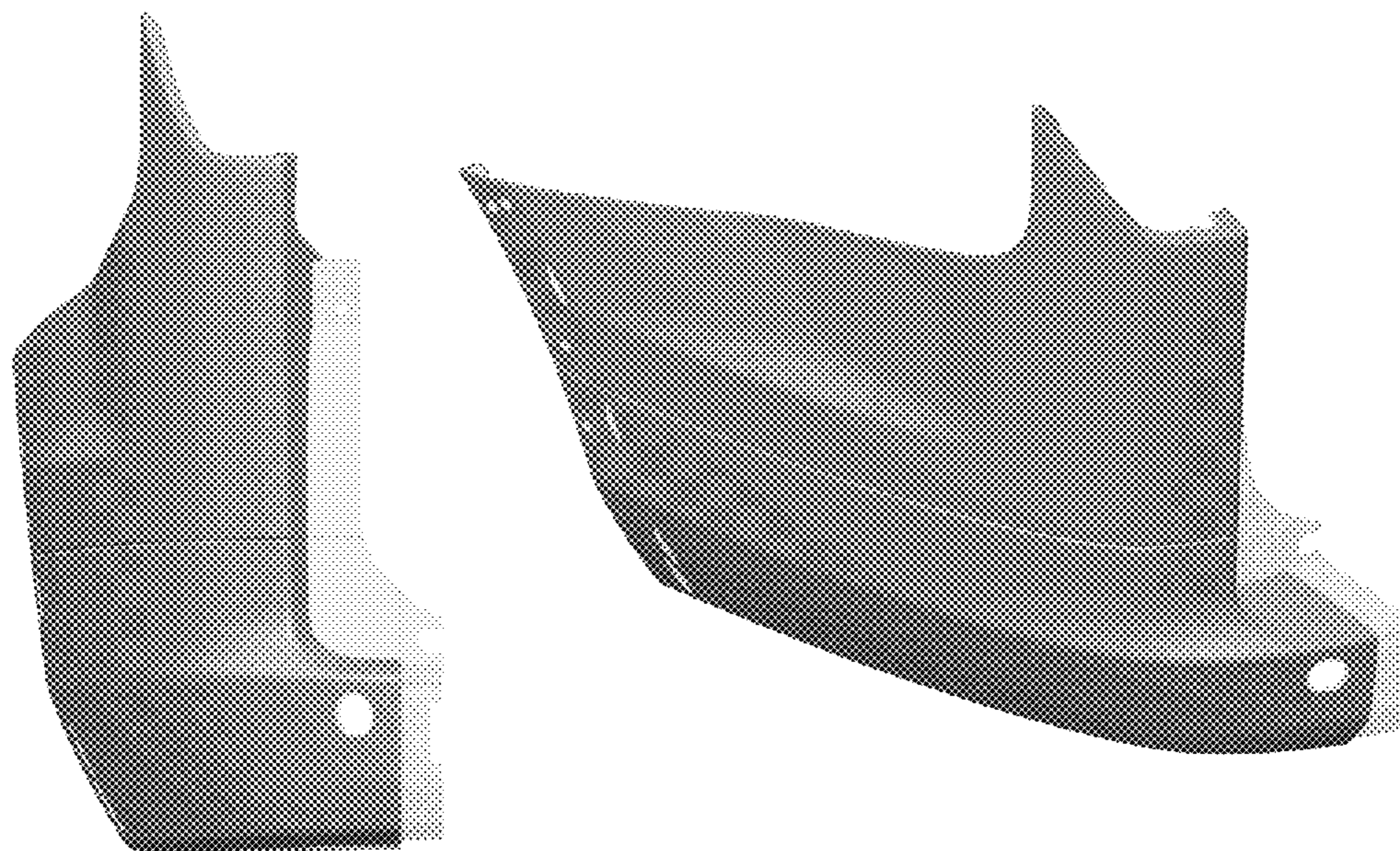
The ornamental design for a vehicle rear bumper cap, as shown and described.

**DESCRIPTION**

FIG. 1 is a front elevational view of a vehicle rear bumper cap, showing our new design;  
FIG. 2 is a left side elevational view thereof;  
FIG. 3 is a right side elevational view thereof;  
FIG. 4 is a top plan view thereof;  
FIG. 5 is a bottom plan view thereof;  
FIG. 6 is a top, front and left side perspective view thereof;  
and,  
FIG. 7 is a bottom, front and left side perspective view thereof.

The claimed design is indicated by the relatively dark portions in the figures. The de-emphasized and relatively light portions form no part of the claimed design.

**1 Claim, 7 Drawing Sheets**



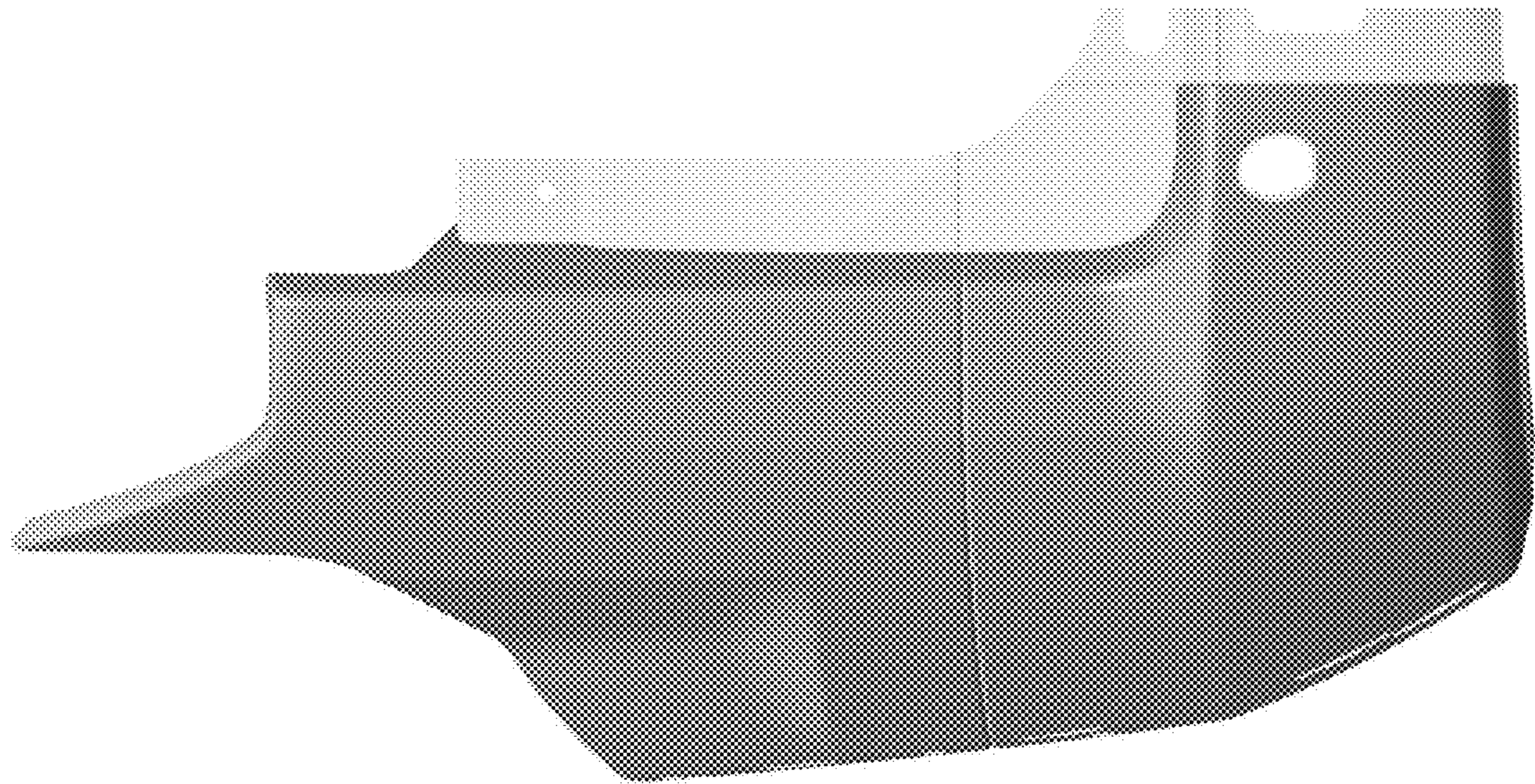


Fig. 1

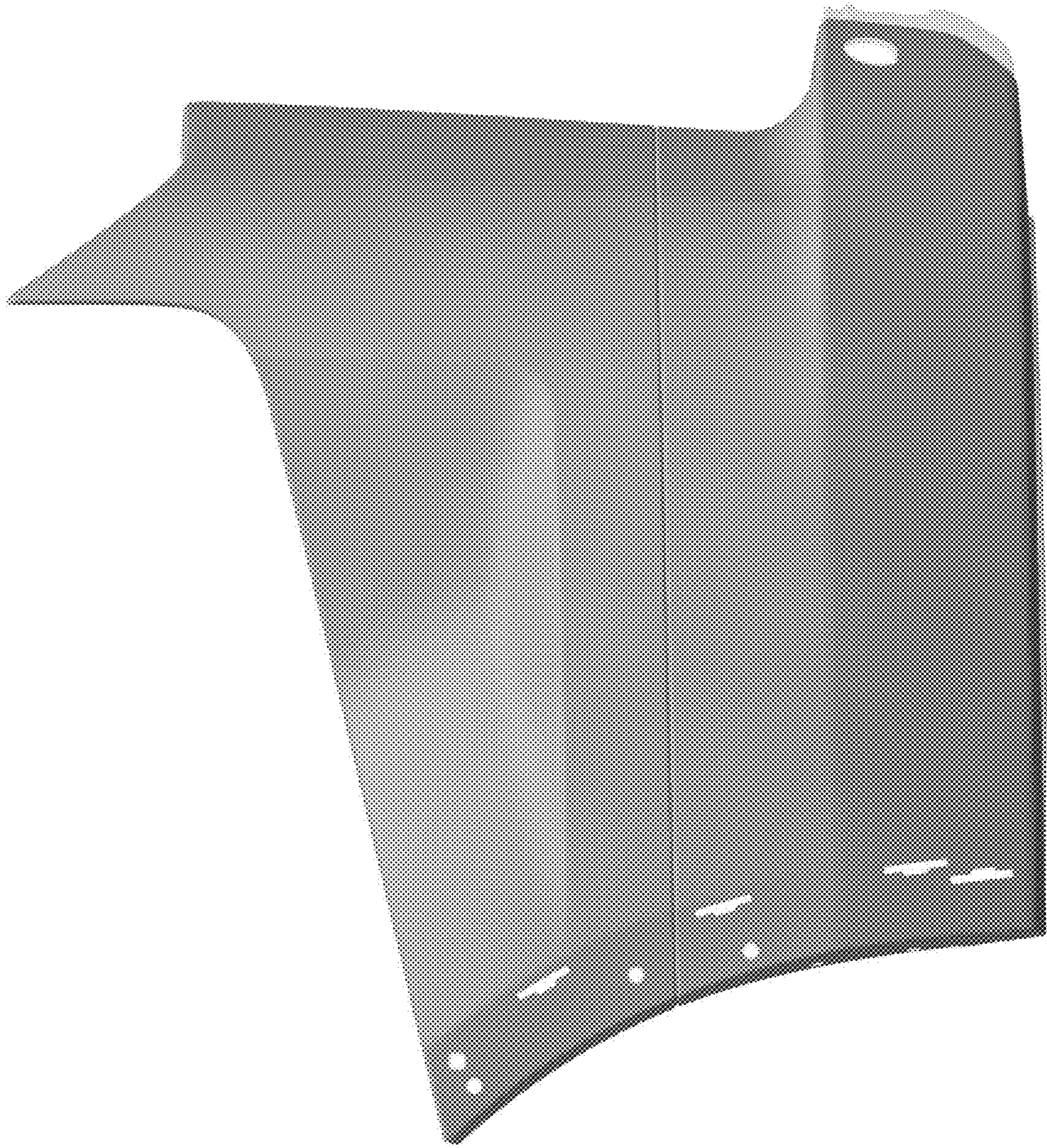


Fig. 2



Fig. 3

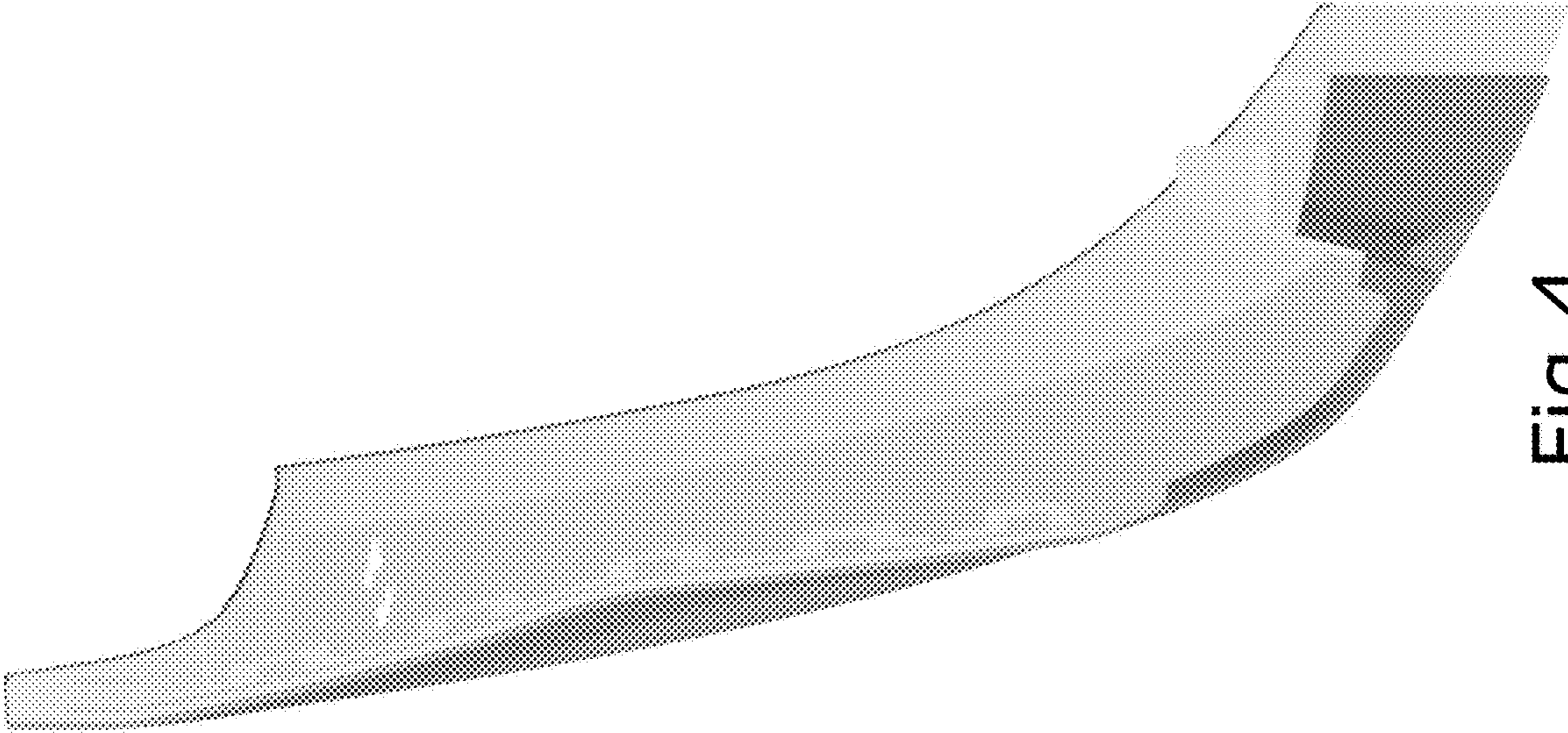


Fig.4

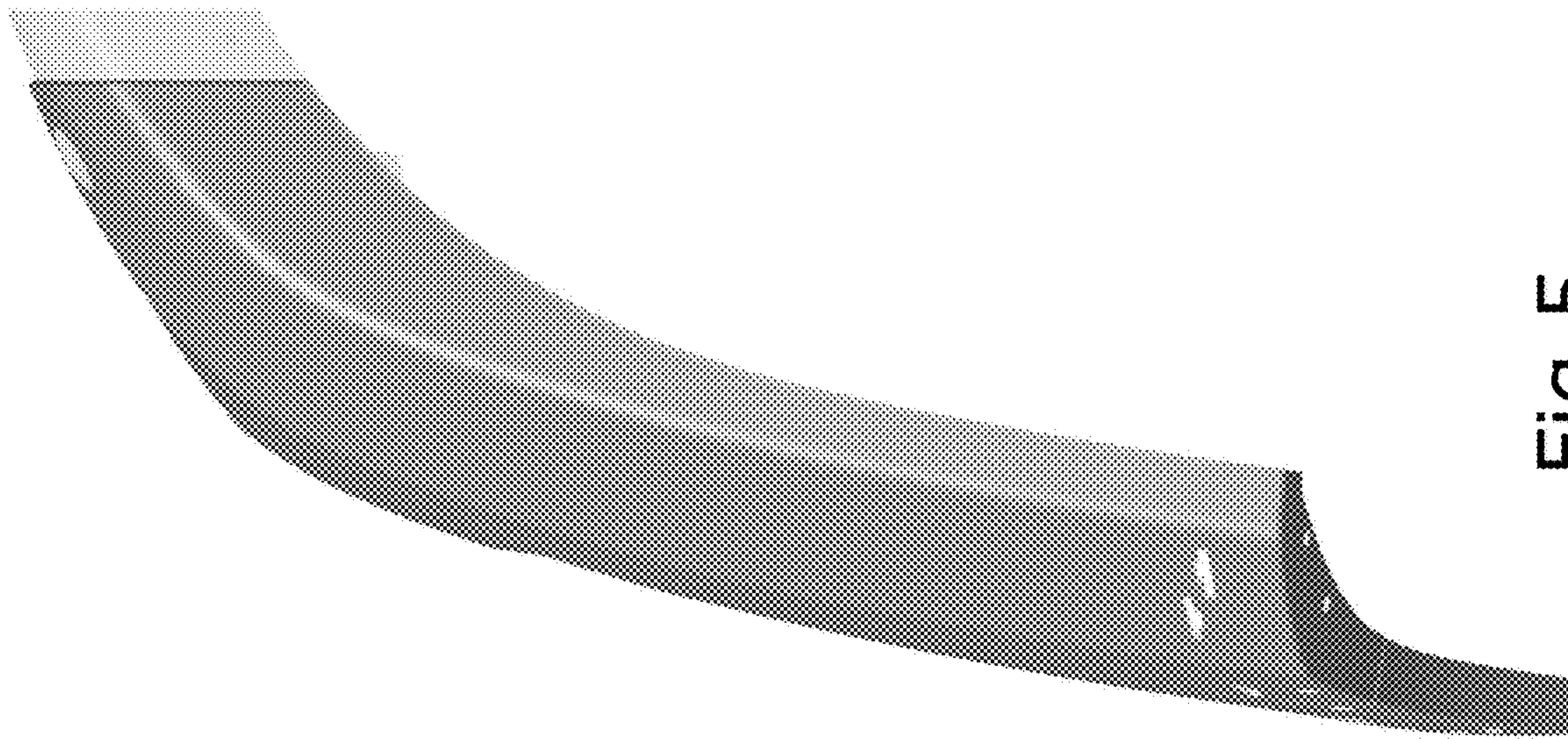


Fig. 5

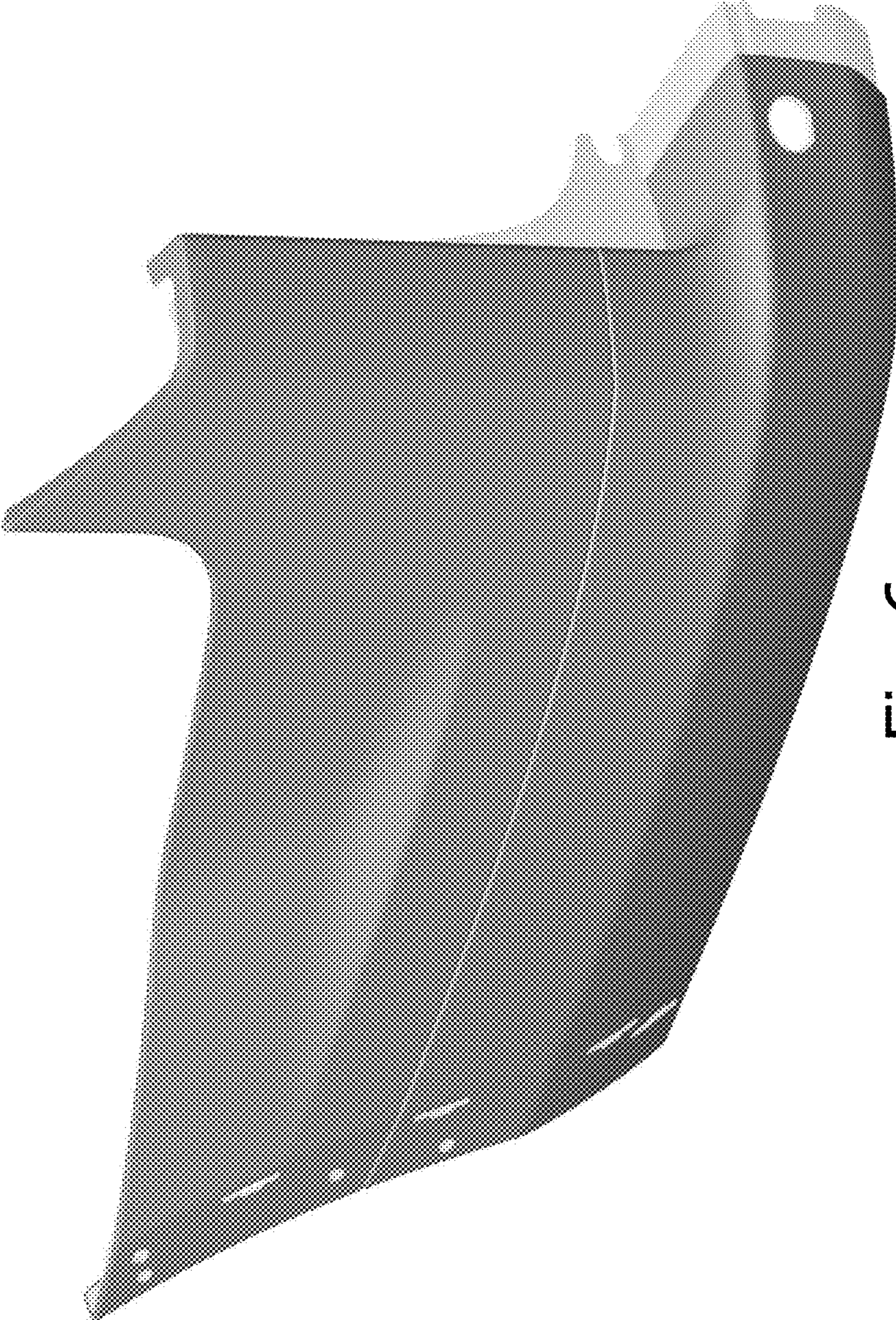


Fig. 6

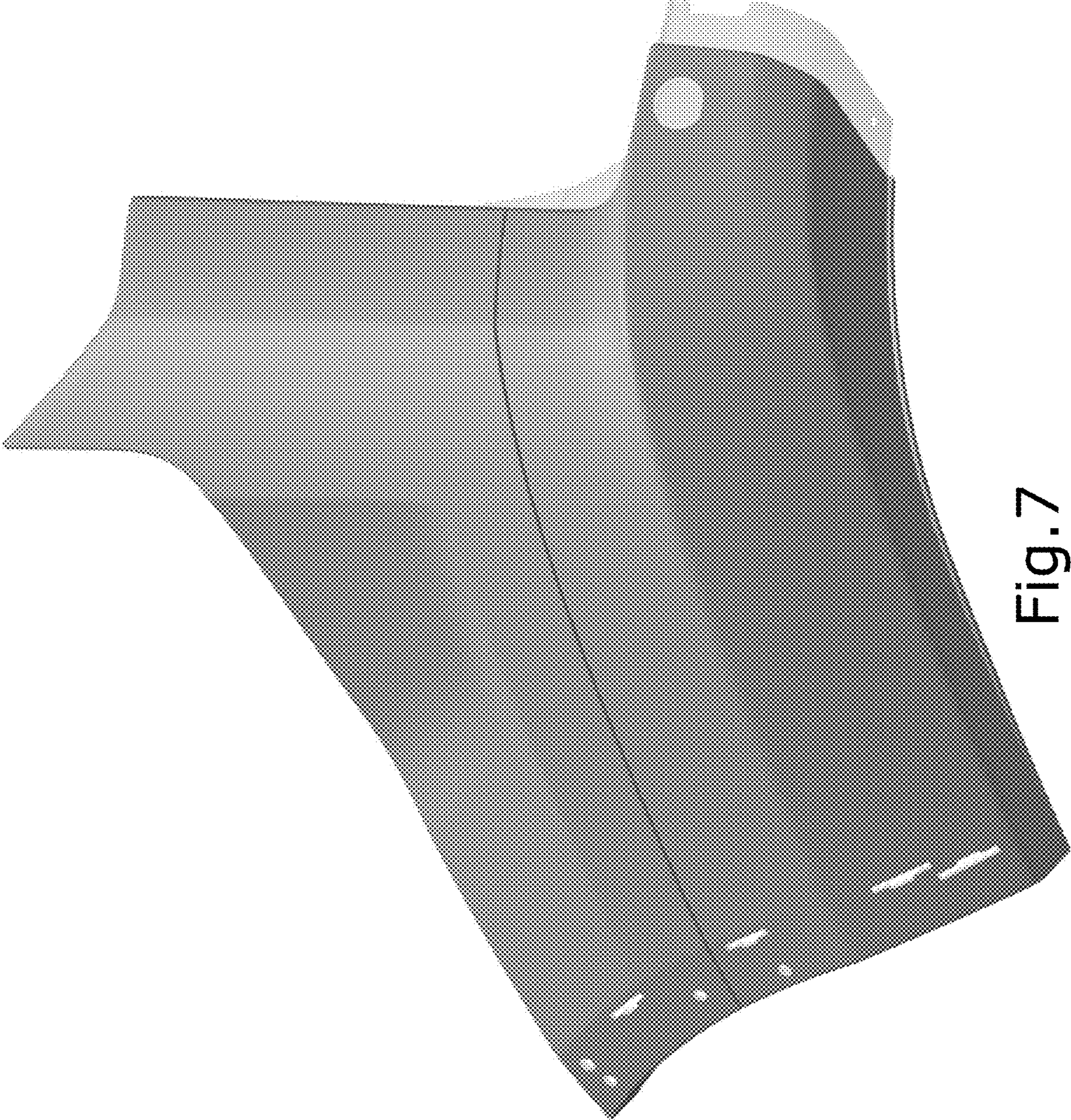


Fig. 7