



US00D954614S

(12) **United States Design Patent**  
**Zeng**

(10) **Patent No.:** **US D954,614 S**  
(45) **Date of Patent:** **\*\* Jun. 14, 2022**

- (54) **AUTOMOBILE BUMPER**
- (71) Applicant: **Arex Industries, Inc.**, Irwindale, CA (US)
- (72) Inventor: **Cheng Zeng**, Chengdu (CN)
- (\*\*) Term: **15 Years**
- (21) Appl. No.: **29/724,214**
- (22) Filed: **Feb. 13, 2020**
- (51) **LOC (13) Cl.** ..... **12-16**
- (52) **U.S. Cl.**  
USPC ..... **D12/169**
- (58) **Field of Classification Search**  
USPC ..... D12/82, 86, 88, 89, 90, 91, 92, 93, 96, D12/163, 164, 165, 166, 167, 169, 170, D12/171, 172, 173, 181, 184, 185, 190, D12/192, 196, 216, 22, 3, 400; D21/533, D21/548, 552, 561  
CPC ..... B60R 19/00; B60R 19/02; B60R 19/16; B60R 19/18; B60R 19/24; B60R 19/26; B60R 19/44; B60R 19/48; B60R 19/52; B60R 19/56; B60R 2019/007; B60R 2019/522; B60R 2019/527; B60R 2019/1886; B62D 25/02; B62D 25/08; B62D 25/16  
See application file for complete search history.

- D761,166 S \* 7/2016 Hare ..... D12/169
  - D771,537 S \* 11/2016 Hare ..... D12/171
  - D775,016 S \* 12/2016 Reynolds ..... D12/171
  - D776,582 S \* 1/2017 Bennett ..... D12/169
  - D777,619 S \* 1/2017 Barajas ..... D12/171
  - D781,757 S \* 3/2017 Baggett ..... D12/167
  - D792,818 S \* 7/2017 McMath ..... D12/171
  - D793,304 S \* 8/2017 McMath ..... D12/171
  - D794,519 S \* 8/2017 McMath ..... D12/171
  - D796,399 S \* 9/2017 Steen ..... D12/171
  - D800,028 S \* 10/2017 Baggett ..... D12/167
  - D808,309 S \* 1/2018 Steen ..... D12/171
  - D811,956 S \* 3/2018 Zeng ..... D12/169
  - D814,984 S \* 4/2018 Wymore ..... D12/169
  - D826,115 S \* 8/2018 Chi ..... B60R 19/52  
D12/172
  - D827,055 S \* 8/2018 Barajas ..... D21/561
  - D833,922 S \* 11/2018 DiCanzio ..... D12/163
- (Continued)

**FOREIGN PATENT DOCUMENTS**

- CN 108177617 A \* 6/2018
- CN 110682878 A \* 1/2020

*Primary Examiner* — Cary M Robinson  
*Assistant Examiner* — Adam C Mager  
(74) *Attorney, Agent, or Firm* — Theodore S. Lee, Esq.

(57) **CLAIM**

The ornamental design for an automobile bumper, as shown and described.

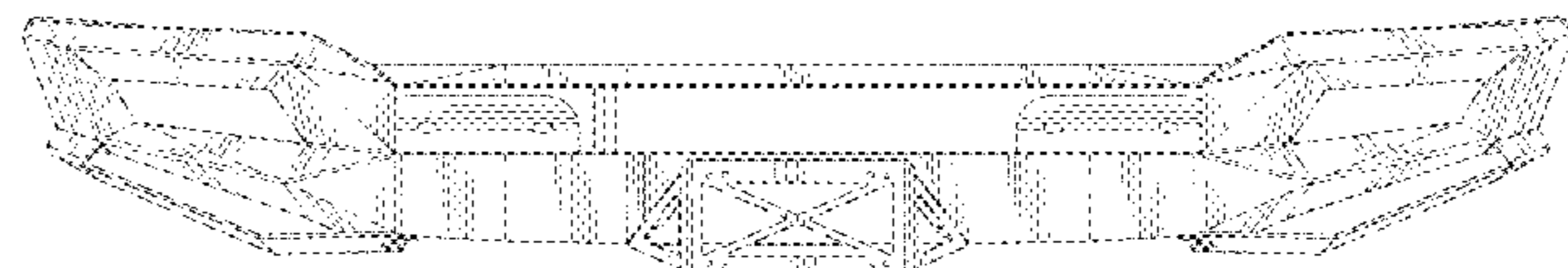
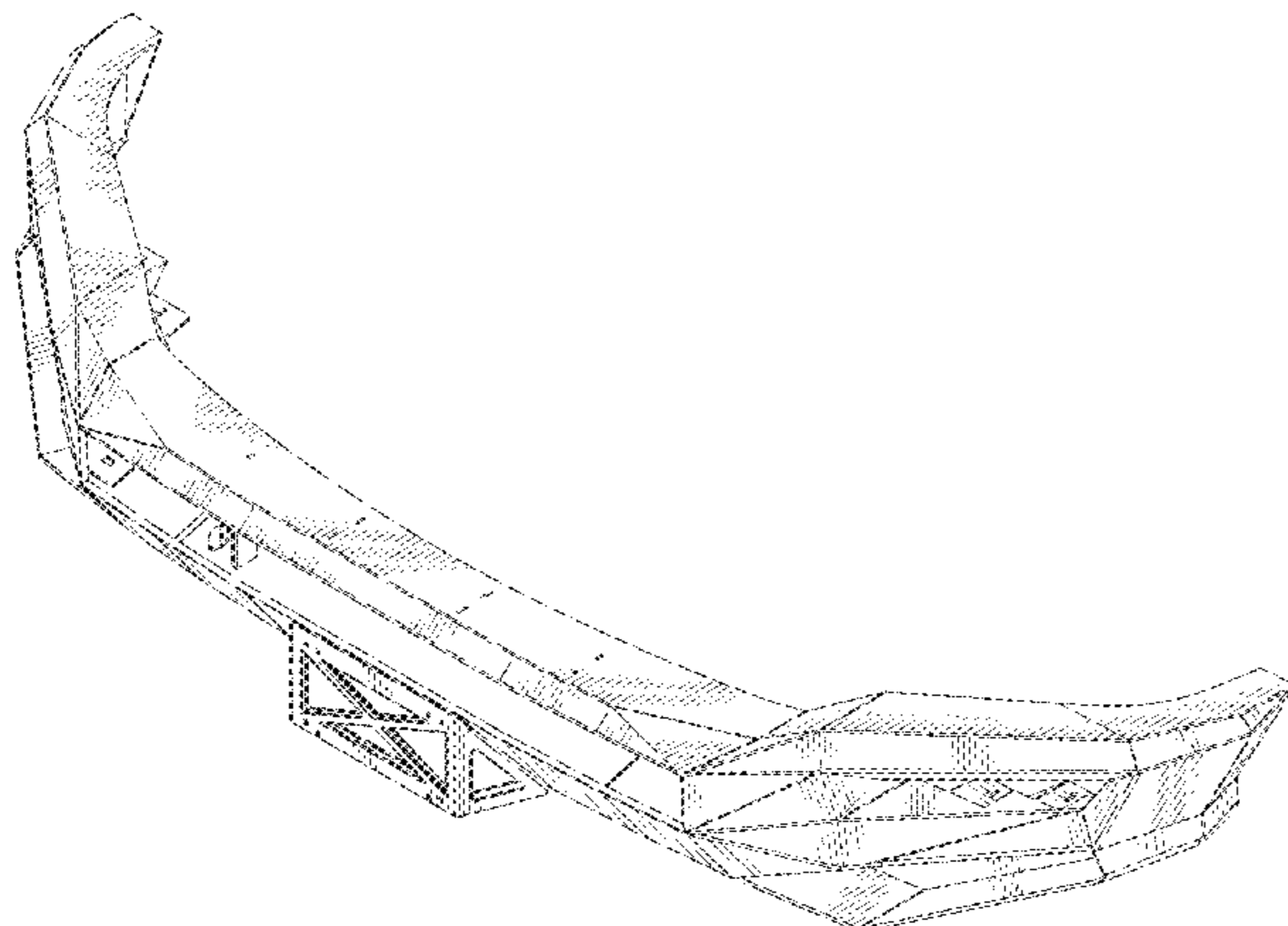
**DESCRIPTION**

FIG. 1 is a perspective view of an automobile bumper according to the novel design;  
FIG. 2 is front view thereof;  
FIG. 3 is a back view thereof;  
FIG. 4 is a right side view thereof;  
FIG. 5 is a left side view thereof;  
FIG. 6 is a top view thereof; and,  
FIG. 7 is a bottom view thereof.

**1 Claim, 6 Drawing Sheets**

(56) **References Cited**  
U.S. PATENT DOCUMENTS

- D360,865 S \* 8/1995 Hanson ..... D12/169
- D454,098 S \* 3/2002 McGuinness ..... D12/171
- D455,988 S \* 4/2002 McGuinness ..... D12/171
- D502,433 S \* 3/2005 McClanahan ..... D12/169
- D697,842 S \* 1/2014 Harriton ..... D12/167
- D737,739 S \* 9/2015 Hanson ..... D12/169
- D744,384 S \* 12/2015 Harriton ..... D12/169
- D751,012 S \* 3/2016 Hare ..... D12/171
- D760,133 S \* 6/2016 Bennett ..... D12/171



(56)

References Cited

U.S. PATENT DOCUMENTS

D845,845 S \* 4/2019 Goodrich ..... D12/169  
 D845,846 S \* 4/2019 Goodrich ..... D12/169  
 D846,461 S \* 4/2019 Piscitelli ..... D12/169  
 D846,462 S \* 4/2019 DiCanzio ..... D12/171  
 D847,051 S \* 4/2019 DiCanzio ..... D12/171  
 10,272,861 B2 \* 4/2019 Wymore ..... B60R 9/065  
 D847,709 S \* 5/2019 Neal ..... D12/171  
 D850,334 S \* 6/2019 DiCanzio ..... D12/169  
 D864,806 S \* 10/2019 Wood ..... D12/171  
 D873,729 S \* 1/2020 Rolfs ..... D12/169  
 D873,730 S \* 1/2020 Goodrich ..... D12/169  
 D873,731 S \* 1/2020 Goodrich ..... D12/169  
 D873,734 S \* 1/2020 Goodrich ..... D12/171  
 D874,998 S \* 2/2020 Zhang ..... D12/171  
 D876,998 S \* 3/2020 Harriton ..... D12/169  
 D877,670 S \* 3/2020 Moctezuma ..... D12/171  
 D878,976 S \* 3/2020 Goodrich ..... D12/169  
 D878,978 S \* 3/2020 Li ..... D12/171  
 D879,686 S \* 3/2020 Marshall ..... D12/171  
 D887,328 S \* 6/2020 Lee ..... D12/171

D888,628 S \* 6/2020 Bennett ..... D12/171  
 D889,332 S \* 7/2020 Chi ..... D12/171  
 D890,036 S \* 7/2020 Marshall ..... D12/169  
 D892,004 S \* 8/2020 Li ..... D12/169  
 D894,803 S \* 9/2020 DiCanzio ..... D12/169  
 D907,544 S \* 1/2021 Wall ..... D12/171  
 D910,507 S \* 2/2021 Bennett ..... D12/169  
 D918,802 S \* 5/2021 Huang ..... D12/171  
 D919,516 S \* 5/2021 Chi ..... D12/171  
 D919,517 S \* 5/2021 Chi ..... D12/171  
 11,014,517 B2 \* 5/2021 Hatch ..... B60R 19/24  
 D921,546 S \* 6/2021 Brown ..... D12/171  
 D923,111 S \* 6/2021 Wood ..... D21/561  
 D923,112 S \* 6/2021 Hagler ..... D21/561  
 2016/0114748 A1 \* 4/2016 Hare ..... B60R 19/023  
 293/106  
 2016/0121832 A1 \* 5/2016 Hare ..... B60R 19/023  
 293/106  
 2018/0072254 A1 \* 3/2018 Wymore ..... B60R 9/065  
 2019/0126872 A1 \* 5/2019 Hatch ..... B60R 3/02  
 2019/0337476 A1 \* 11/2019 Hare ..... B60R 19/48  
 2021/0129783 A1 \* 5/2021 Wymore ..... B60R 19/50

\* cited by examiner

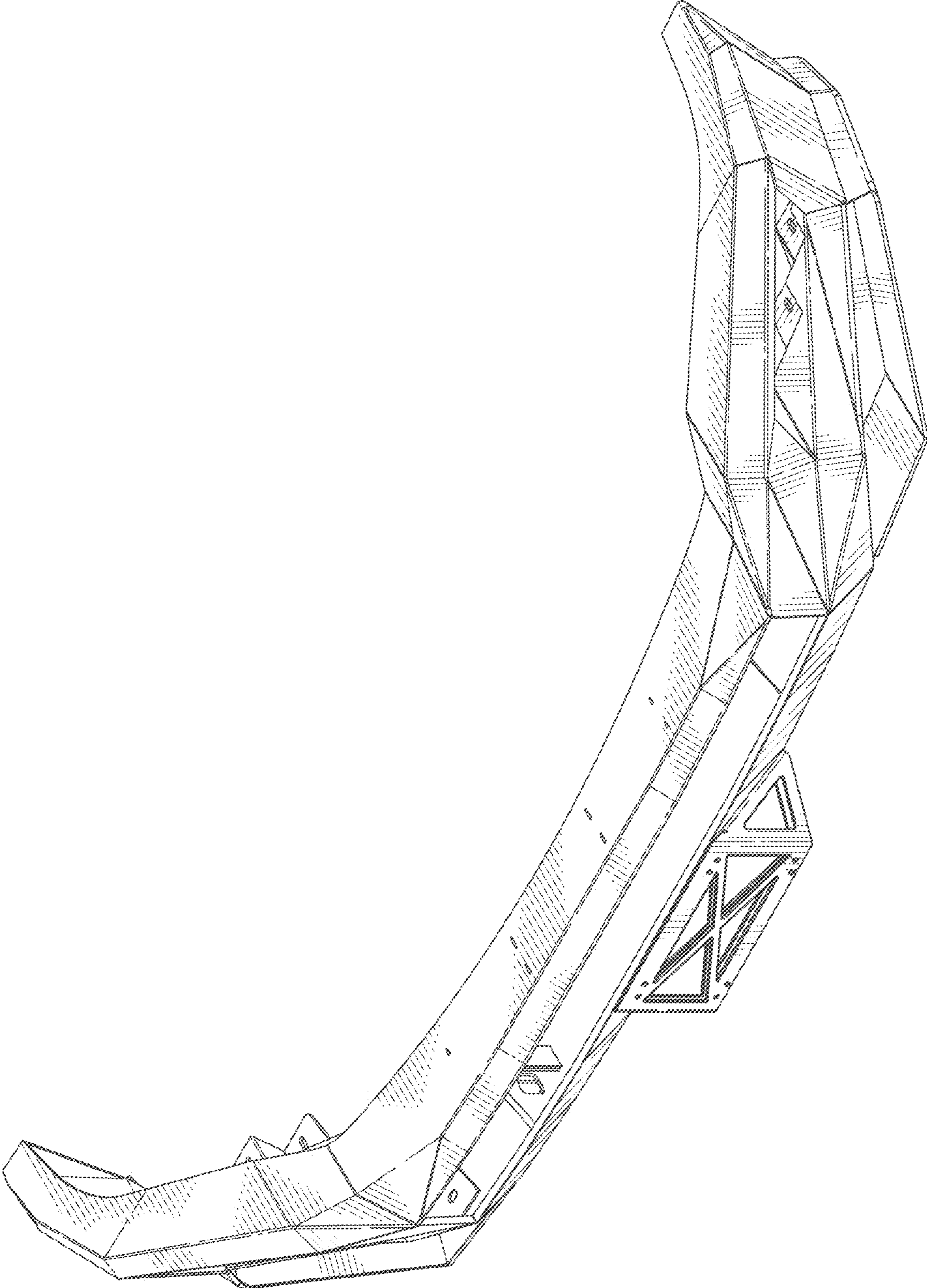


FIG. 1

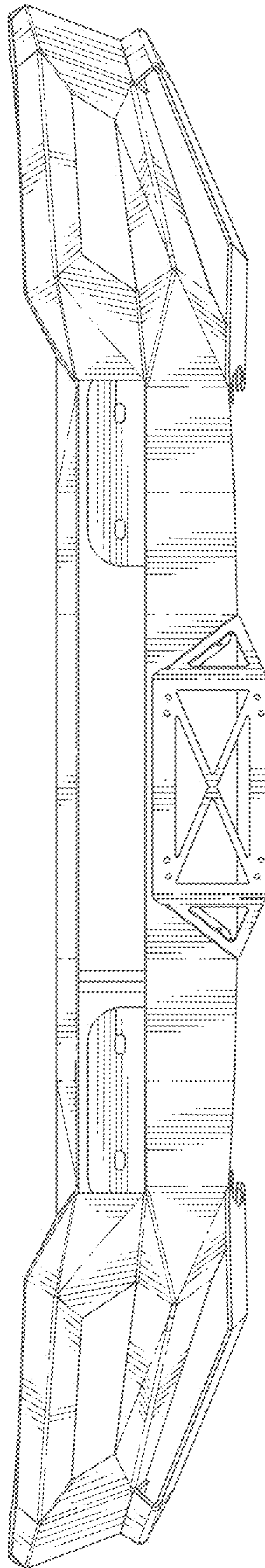


FIG. 2

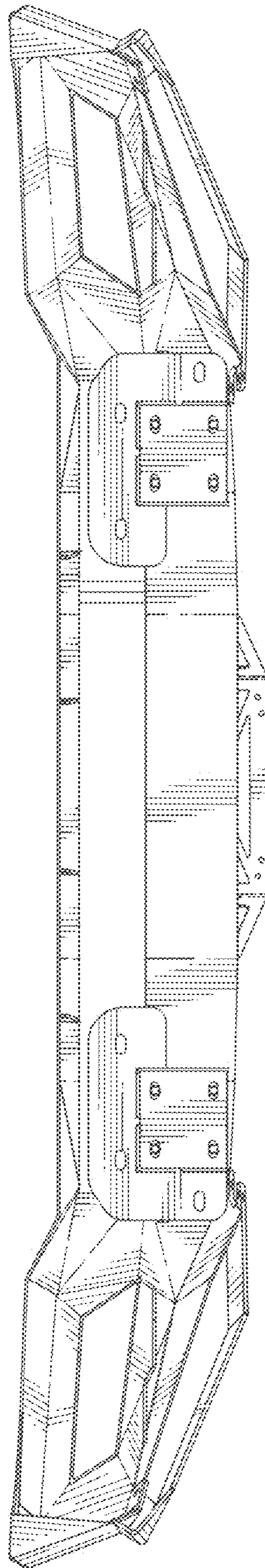


FIG. 3

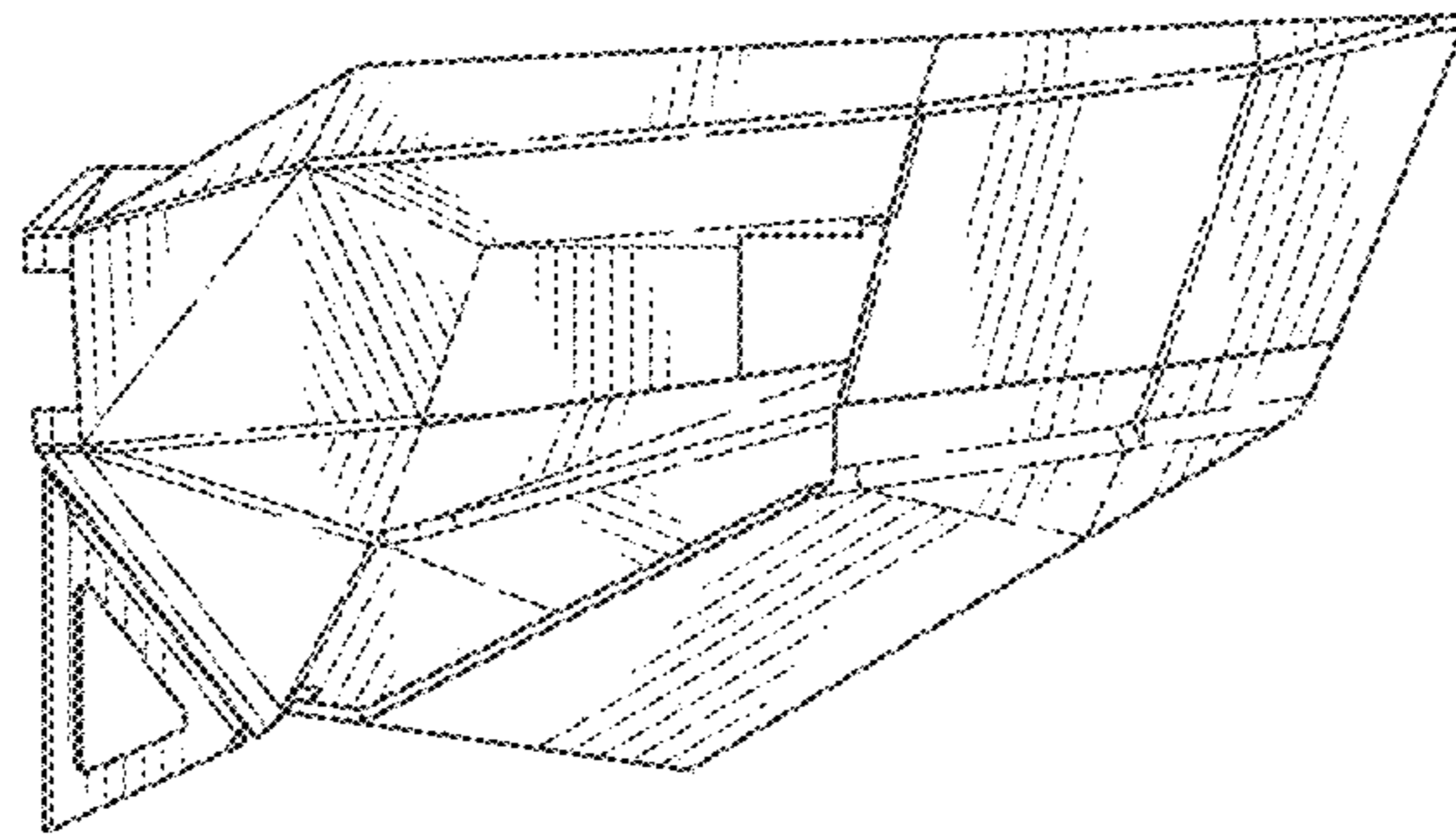


FIG. 4

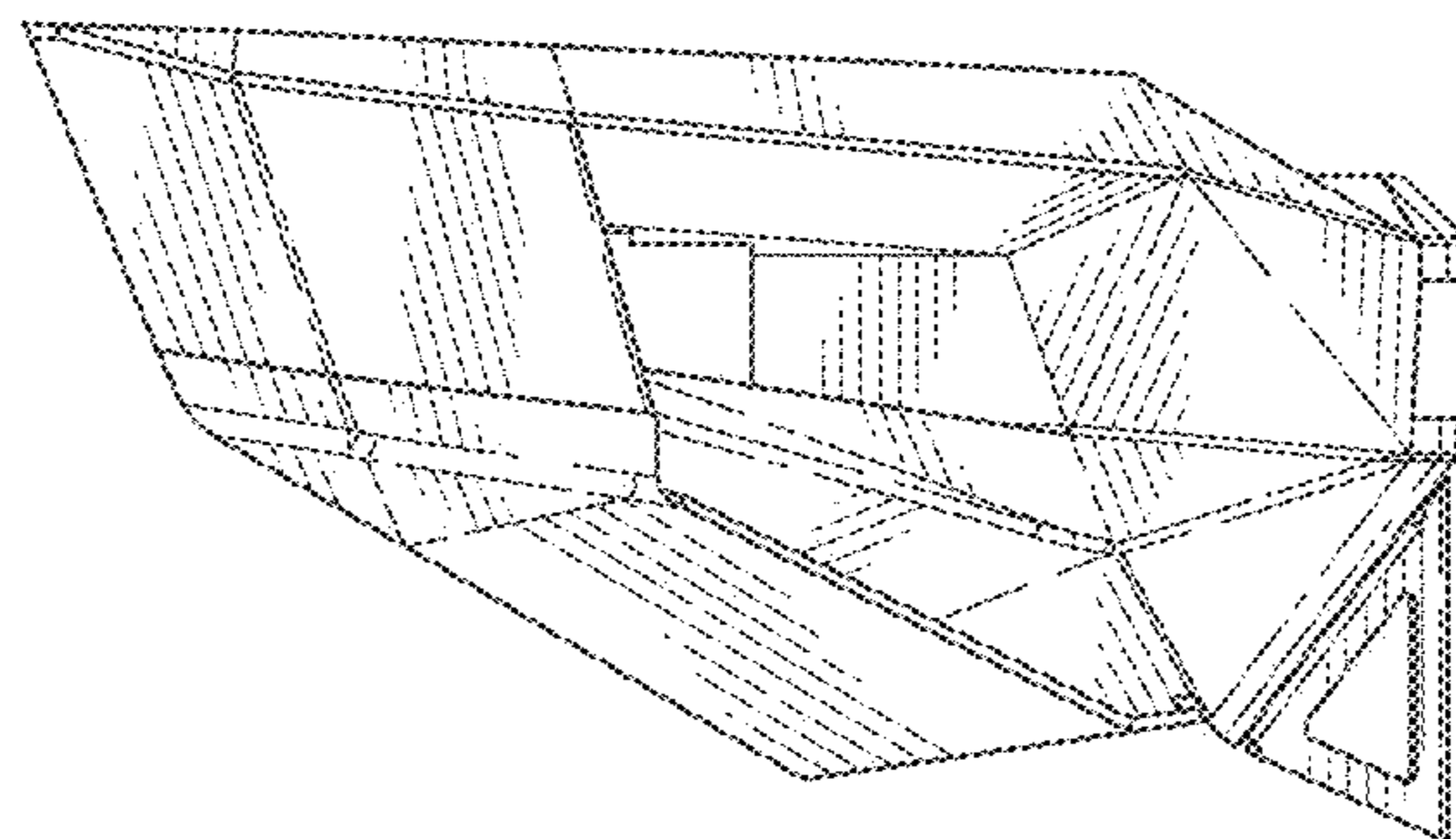


FIG. 5

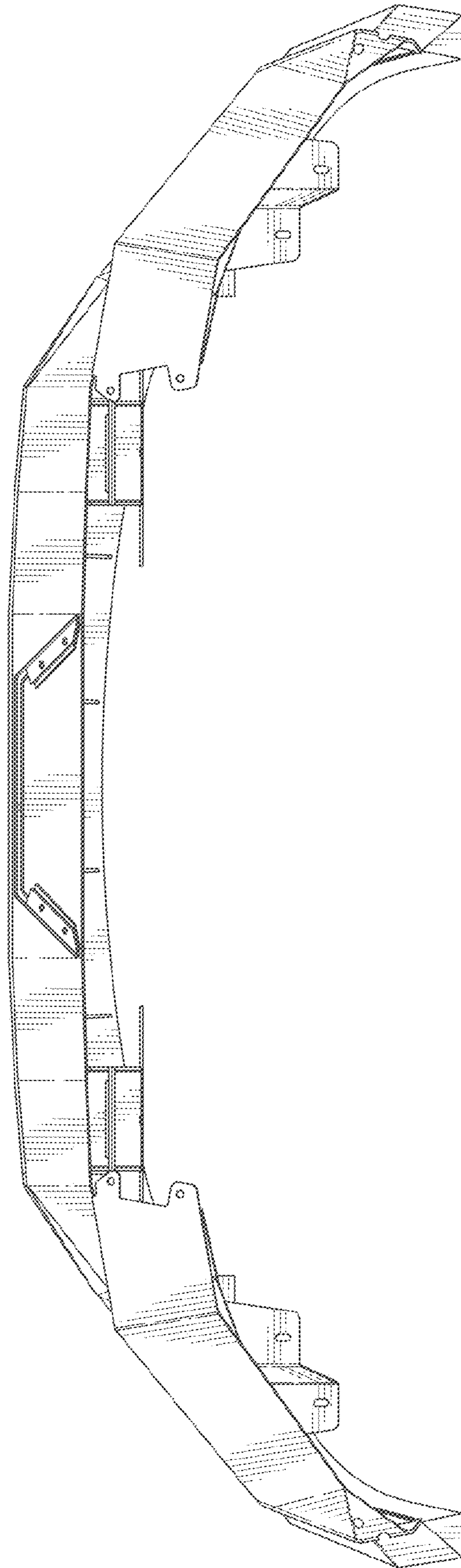


FIG. 6

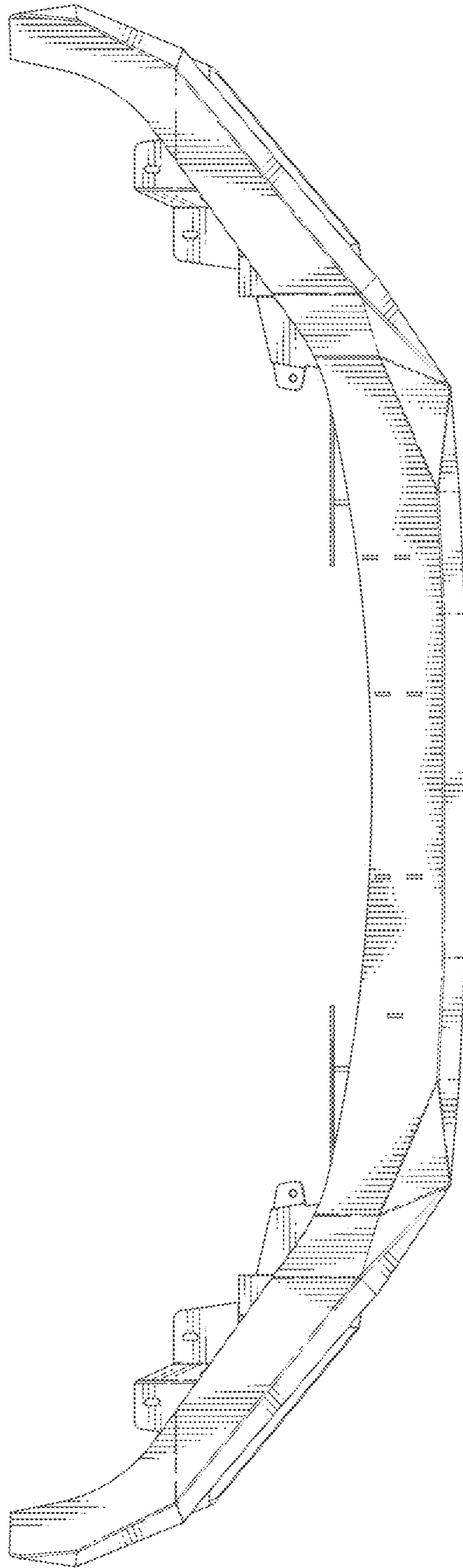


FIG. 7