



US00D954613S

(12) **United States Design Patent** (10) **Patent No.:** **US D954,613 S**  
**Aknin et al.** (45) **Date of Patent:** **\*\* Jun. 14, 2022**

(54) **SUSPENSION MECHANISM WITH PARTIAL RIM**

D894,055 S \* 8/2020 George ..... D12/160  
D914,550 S \* 3/2021 Carroll ..... D12/160  
11,097,582 B1 8/2021 Sardes et al.  
2021/0339590 A1 11/2021 Sardes et al.

(71) Applicant: **REE Automotive Ltd.**, Herzliya (IL)

(72) Inventors: **Amit Aknin**, Karkom (IL); **Ran Dekel**, Nofit (IL); **Ahishay Sardes**, Tel Aviv (IL); **Eran Straik**, Tel-Aviv (IL)

FOREIGN PATENT DOCUMENTS

WO 2020212987 A1 10/2020

(73) Assignee: **REE Automotive Ltd.**, Kibbutz Gil-Yam (IL)

\* cited by examiner

*Primary Examiner* — George D. Kirschbaum

(\*\*) Term: **15 Years**

(74) *Attorney, Agent, or Firm* — Momentum IP; Marc Van Dyke

(21) Appl. No.: **35/510,820**

(22) Filed: **Nov. 12, 2020**

(80) **Hague Agreement Data**

Int. Filing Date: **Nov. 12, 2020**  
Int. Reg. No.: **DM/211323**  
Int. Reg. Date: **Nov. 12, 2020**  
Int. Reg. Pub. Date: **Nov. 27, 2020**

(57) **CLAIM**

The ornamental design for a suspension mechanism with partial rim, as shown and described.

(30) **Foreign Application Priority Data**

**DESCRIPTION**

May 14, 2020 (IL) ..... 65018

(51) **LOC (13) Cl.** ..... **12-16**

(52) **U.S. Cl.**  
USPC ..... **D12/160**

(58) **Field of Classification Search**  
USPC ..... D12/160  
See application file for complete search history.

- 1. Suspension mechanism with partial rim
- 1.1 : Perspective
- 1.2 : Front
- 1.3 : Back
- 1.4 : Right
- 1.5 : Left
- 1.6 : Top
- 1.7 : Bottom

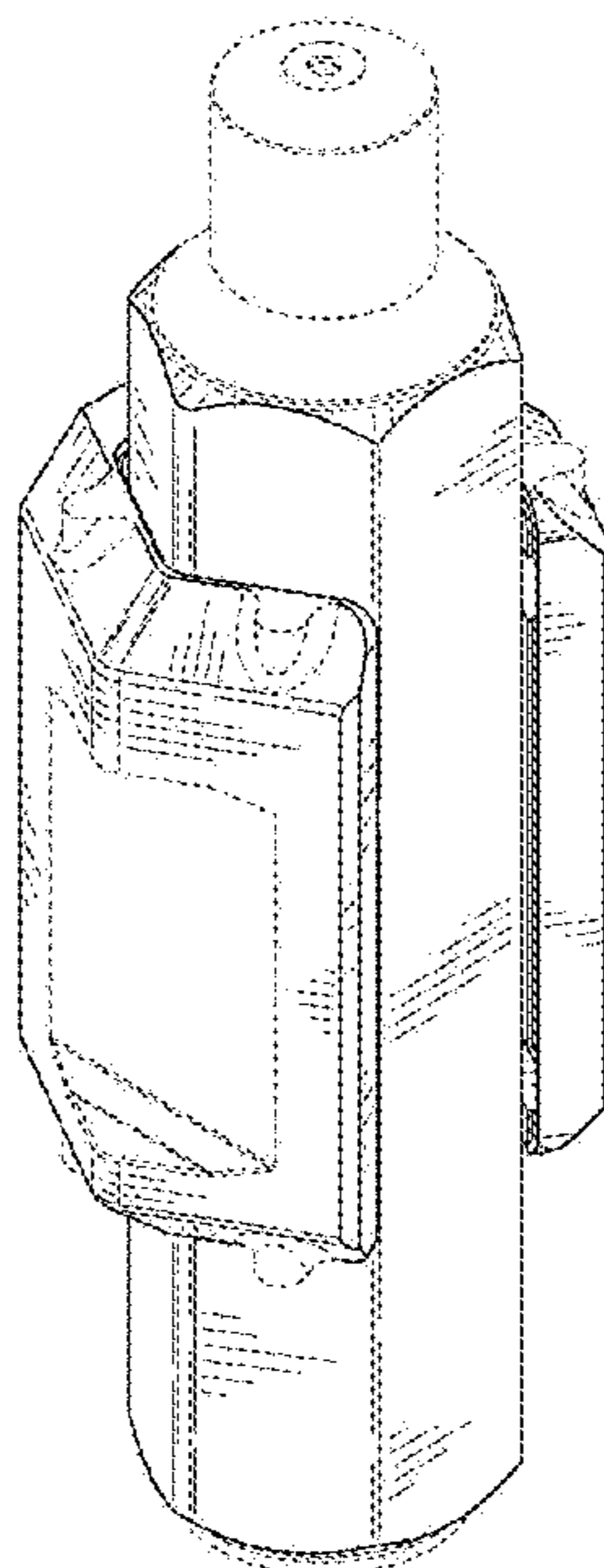
(56) **References Cited**

U.S. PATENT DOCUMENTS

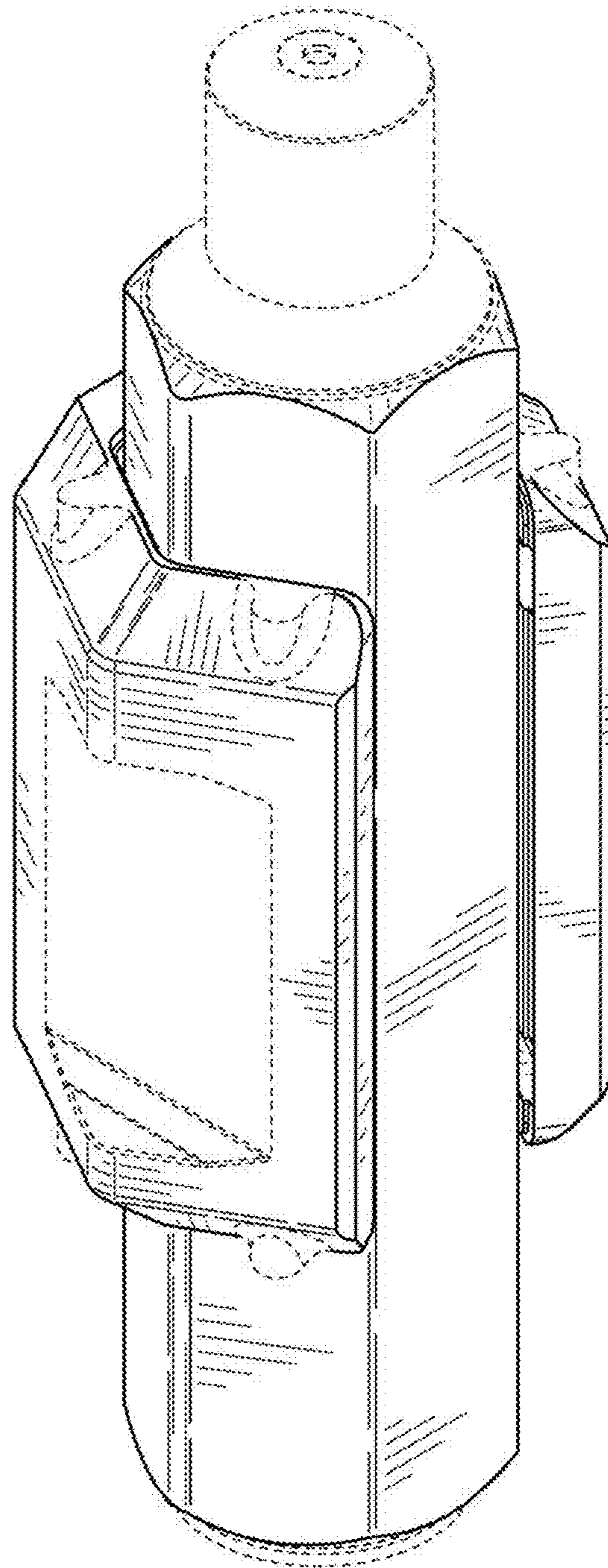
D731,932 S \* 6/2015 Lindsay ..... D12/160  
D848,906 S \* 5/2019 Carroll ..... B60B 35/025  
D12/160

The broken line showing is included for the purpose of illustrating portions of the “article” and forms no part of the claimed design.

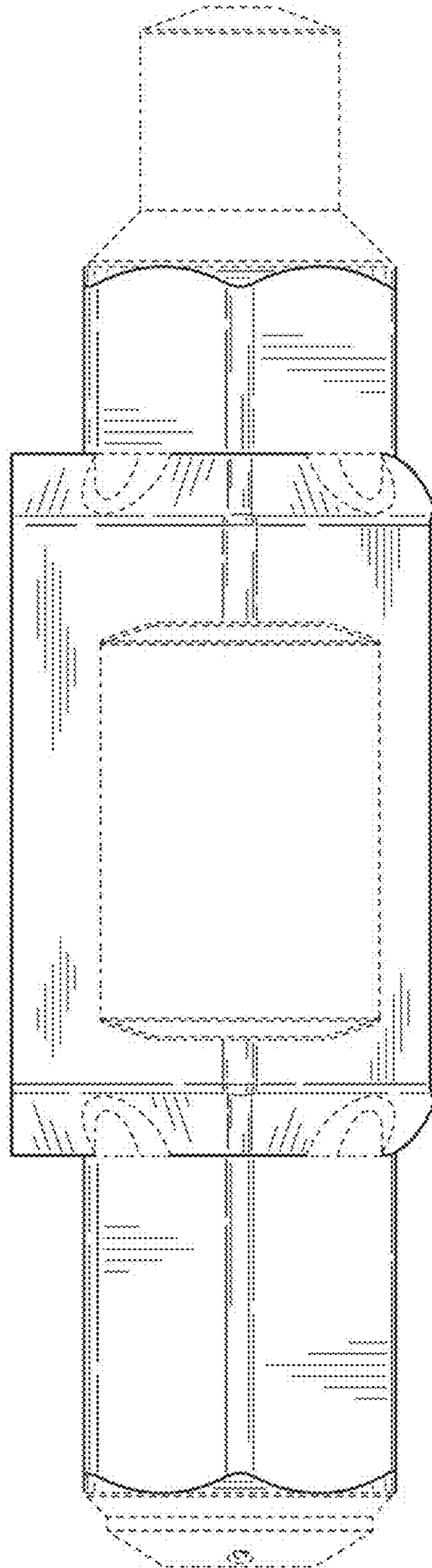
**1 Claim, 7 Drawing Sheets**



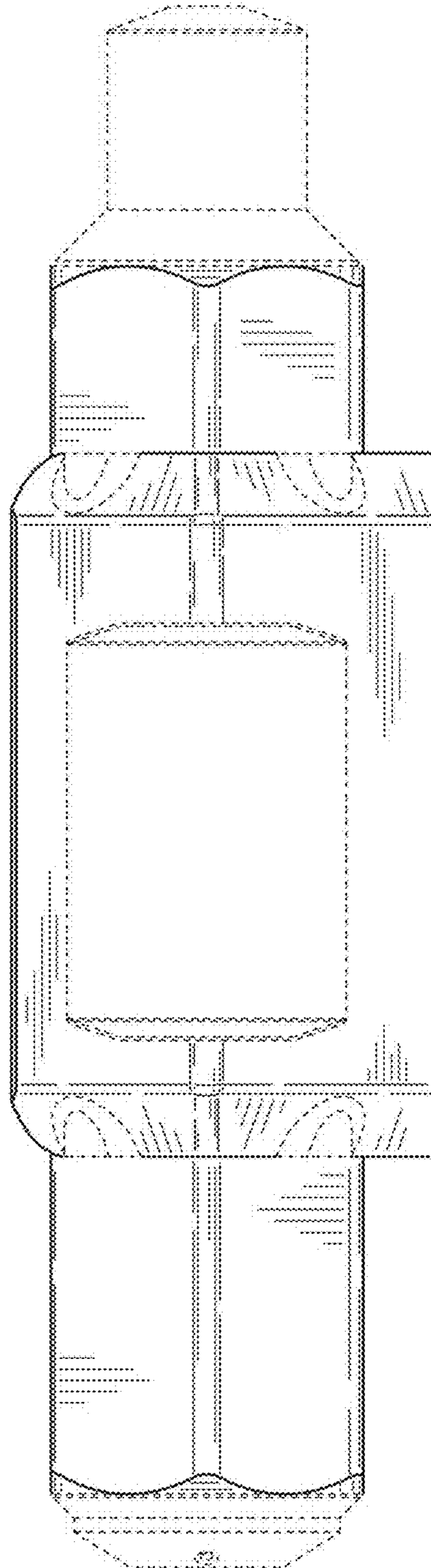
1.1



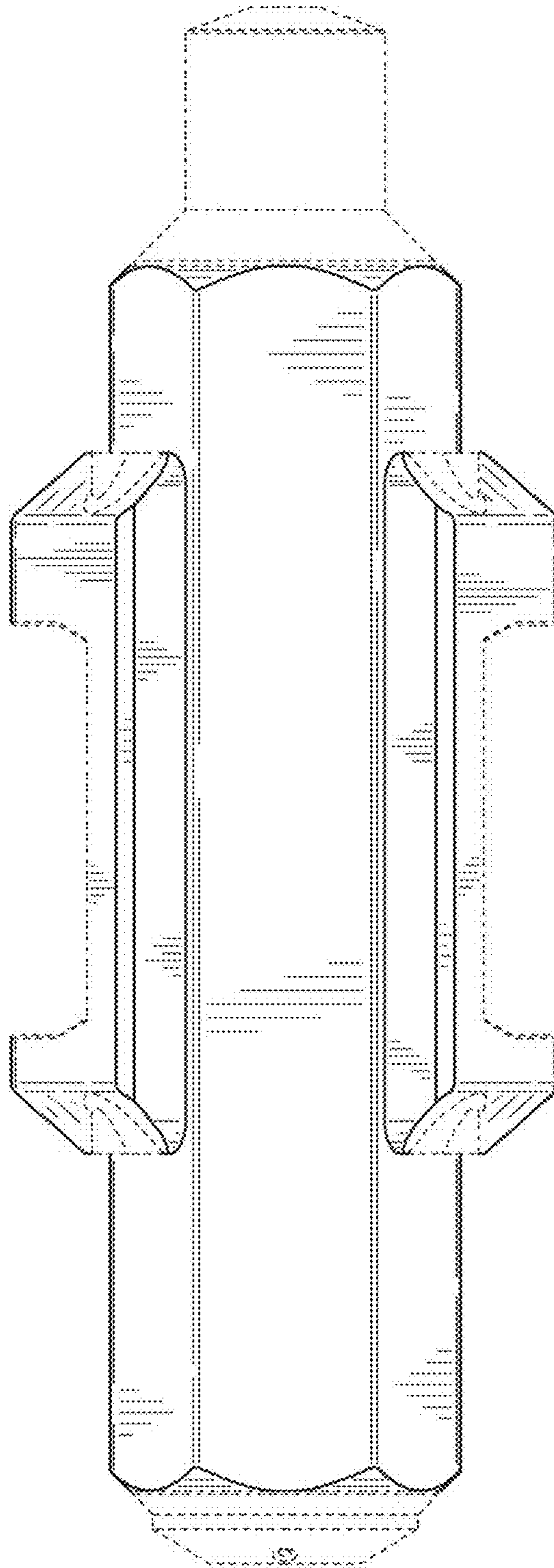
1.2



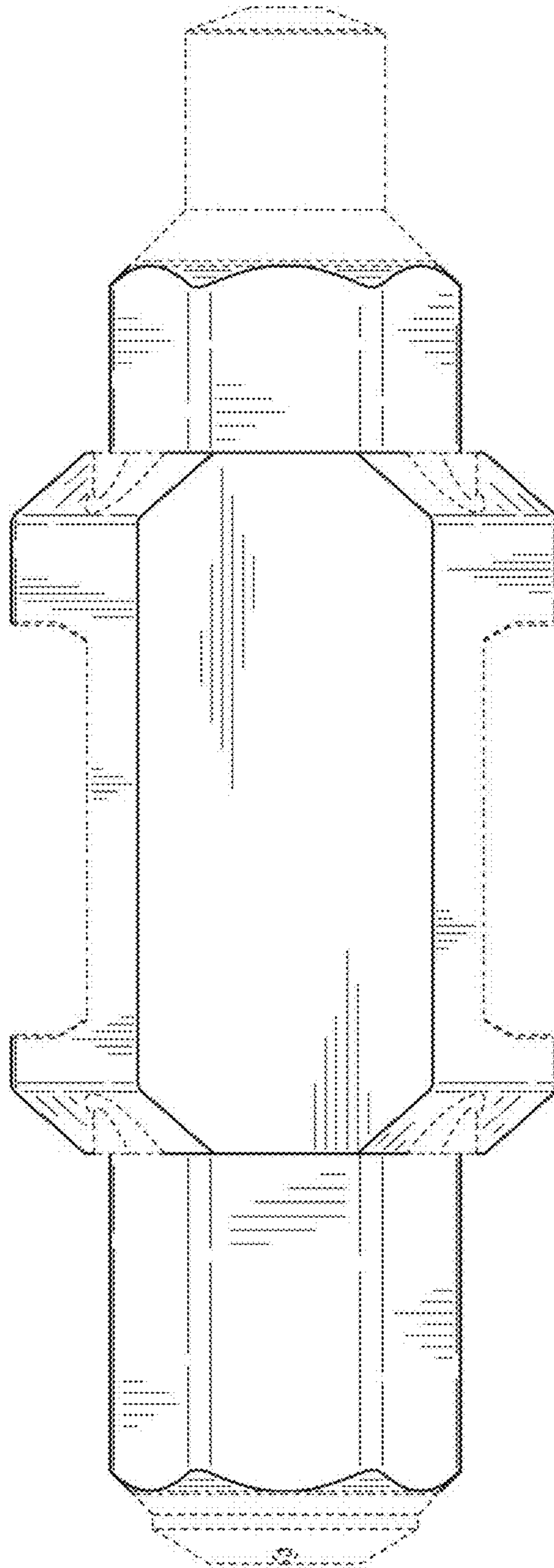
1.3



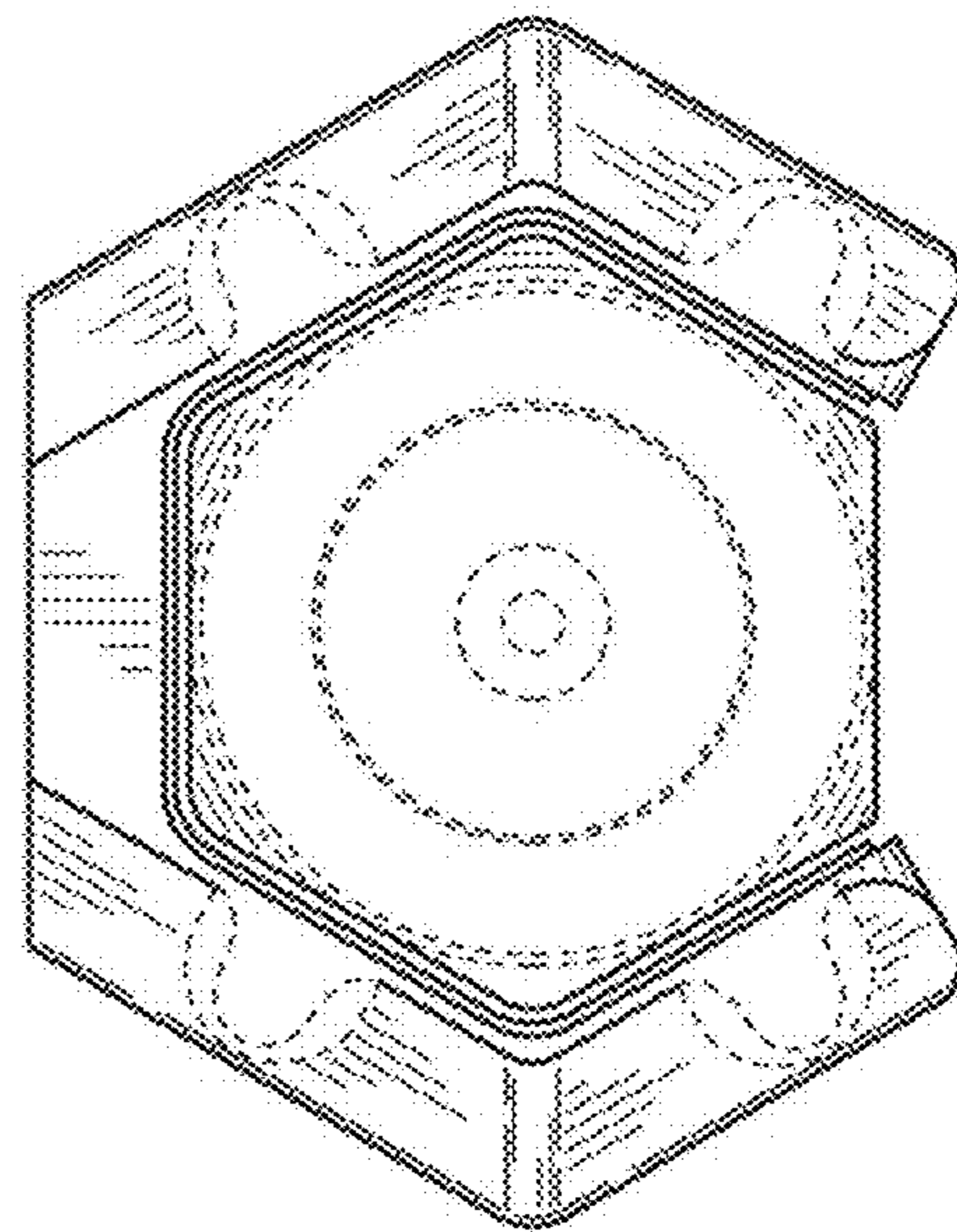
1.4



1.5



1.6



1.7

