



US00D954612S

(12) **United States Design Patent**  
**Owens et al.**

(10) **Patent No.:** **US D954,612 S**  
(45) **Date of Patent:** **\*\* Jun. 14, 2022**

- (54) **DIFFERENTIAL COVER FOR A VEHICLE**
- (71) Applicant: **MF IP Holding, LLC**, West Jordan, UT (US)
- (72) Inventors: **Michael Grant Owens**, Herriman, UT (US); **Bryce Aaron Calvin**, West Jordan, UT (US)
- (73) Assignee: **MF IP HOLDING, LLC**, West Jordan, UT (US)
- (\*\*) Term: **15 Years**
- (21) Appl. No.: **29/756,844**
- (22) Filed: **Oct. 30, 2020**
- (51) **LOC (13) Cl.** ..... **12-16**
- (52) **U.S. Cl.**  
USPC ..... **D12/160**
- (58) **Field of Classification Search**  
USPC ..... D12/159, 160, 161, 400; D15/1, 2, 3, 4, D15/5, 6, 7, 9, 138, 148, 149, 150, 152, D15/199; D13/162  
CPC ..... F16H 48/00; F16H 48/08; F16H 48/22; F16H 48/32; F16H 48/38; F16H 48/40; F16H 2048/382; F16H 2048/387  
See application file for complete search history.

(56) **References Cited**

U.S. PATENT DOCUMENTS

- 3,153,464 A \* 10/1964 Nelson ..... F16H 48/06 184/11.2
- 4,625,581 A \* 12/1986 Hull ..... F16H 57/029 74/606 R
- D327,280 S \* 6/1992 Macomber ..... D12/160
- 8,109,000 B2\* 2/2012 Zalanca ..... B60B 35/16 29/897.2
- 8,109,174 B2\* 2/2012 Hilker ..... F16H 57/0483 74/606 A

- 8,161,649 B1 \* 4/2012 McGean ..... F16H 57/037 29/893.1
- D798,906 S \* 10/2017 Bennett ..... D15/5
- 2003/0110885 A1\* 6/2003 Beutler ..... F16H 57/031 74/606 R
- 2006/0021463 A1\* 2/2006 Peterson ..... B60K 17/36 74/606 R
- 2016/0009136 A1\* 1/2016 Chung ..... F16H 57/037 475/230
- 2016/0046151 A1\* 2/2016 Kelly ..... B60R 1/002 74/607

OTHER PUBLICATIONS

Teraflex Dana 44 M220 Differential Cover, Published date unavailable [online], [retrieved on Jan. 25, 2022]. Retrieved from the Internet: <https://teraflex.com/dana-44-advantek-m220-rear-hd-differential-cover-kit.html> (Year: 2022).\*

(Continued)

*Primary Examiner* — Cary M Robinson

*Assistant Examiner* — Adam C Mager

(74) *Attorney, Agent, or Firm* — Christensen O'Connor Johnson Kindness PLLC

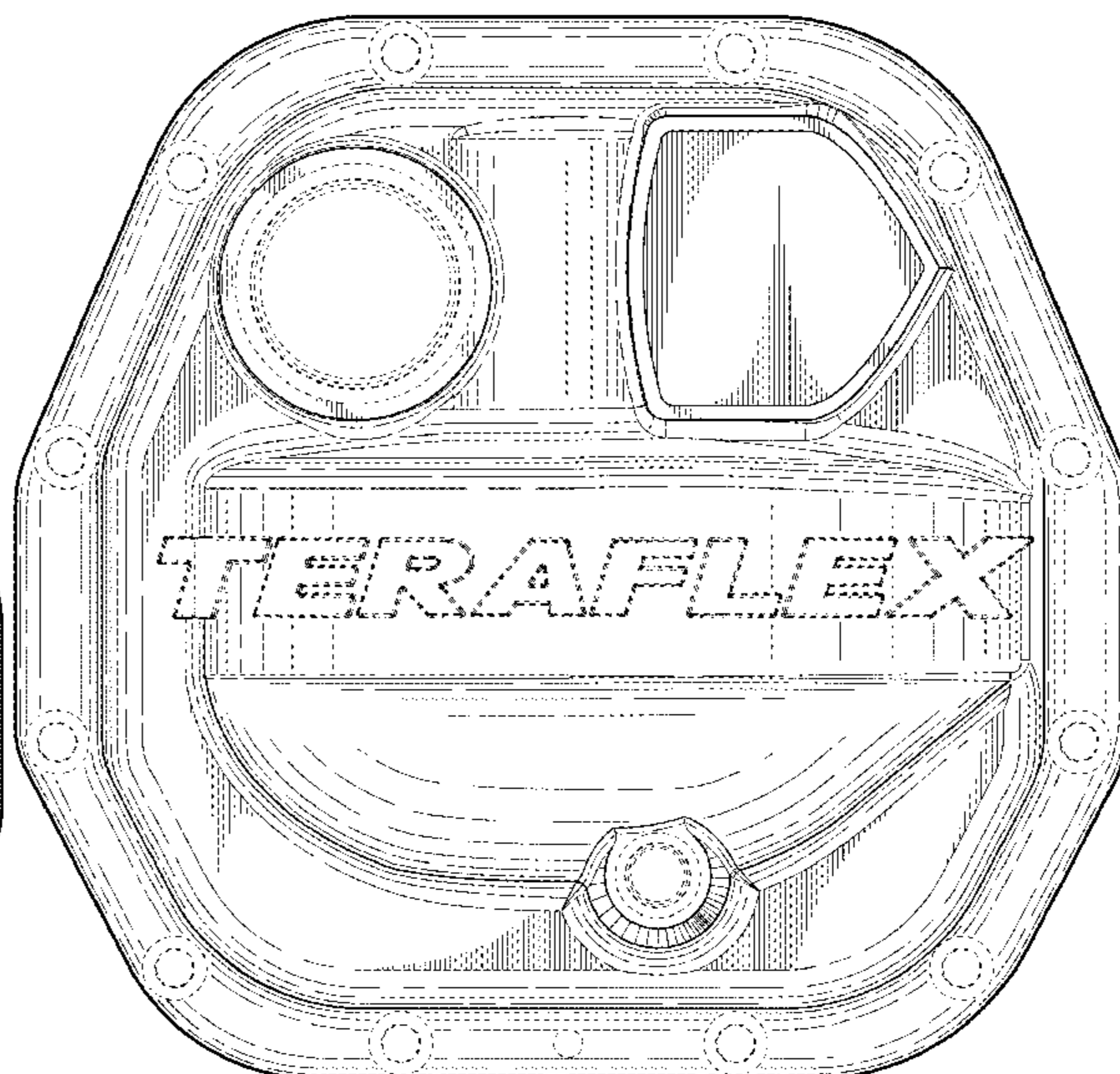
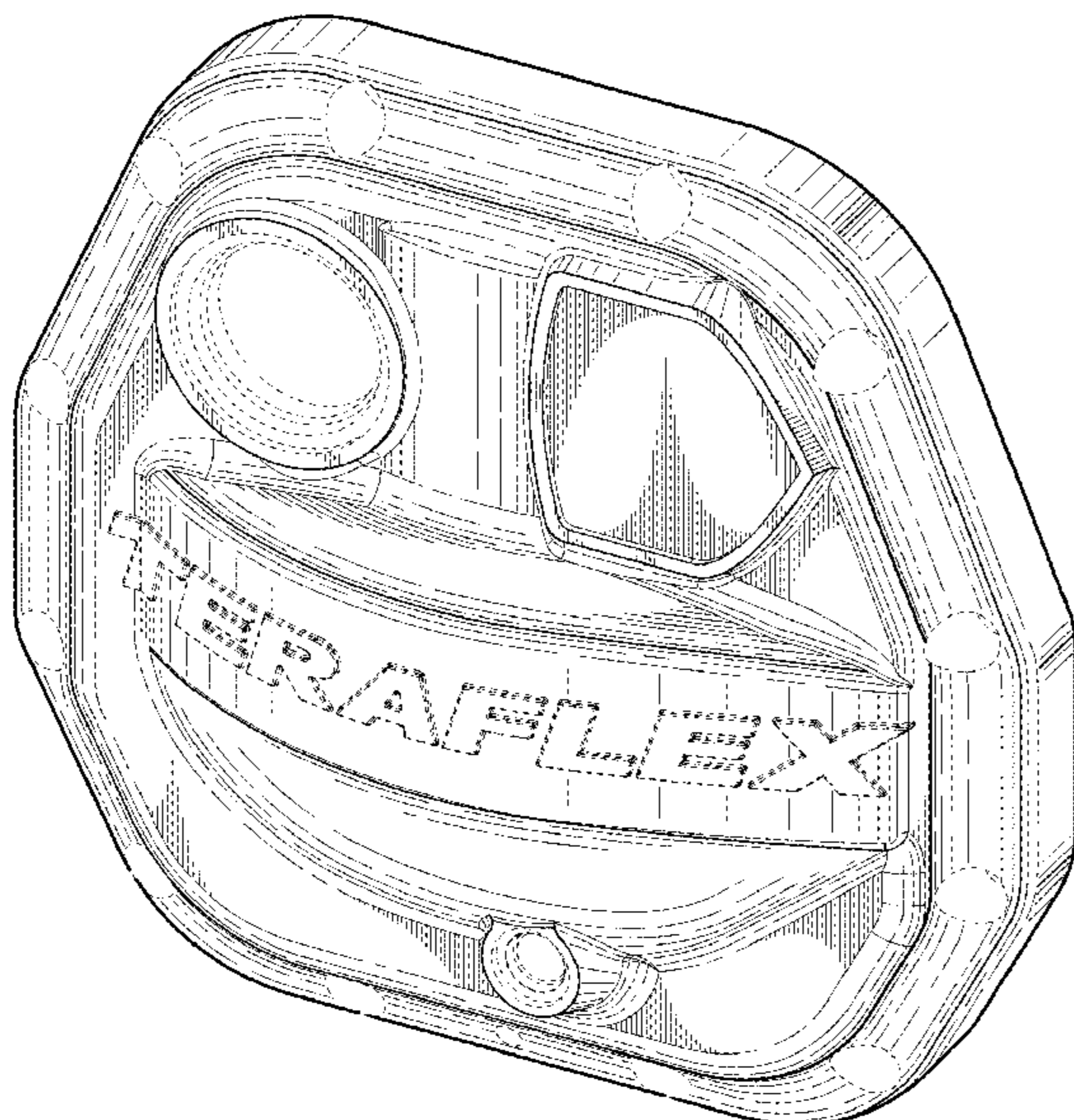
(57) **CLAIM**

The ornamental design for a differential cover for a vehicle, as shown and described.

**DESCRIPTION**

FIG. 1 is a perspective view of a differential cover for a vehicle according to our new design; FIG. 2 is a front elevational view thereof; FIG. 3 is a left side elevational view thereof; FIG. 4 is a right side elevational view thereof; FIG. 5 is a top plan view thereof; and, FIG. 6 is a bottom plan view thereof. The broken lines in the drawings show portions of the differential cover for a vehicle that form no part of the claimed design.

**1 Claim, 4 Drawing Sheets**



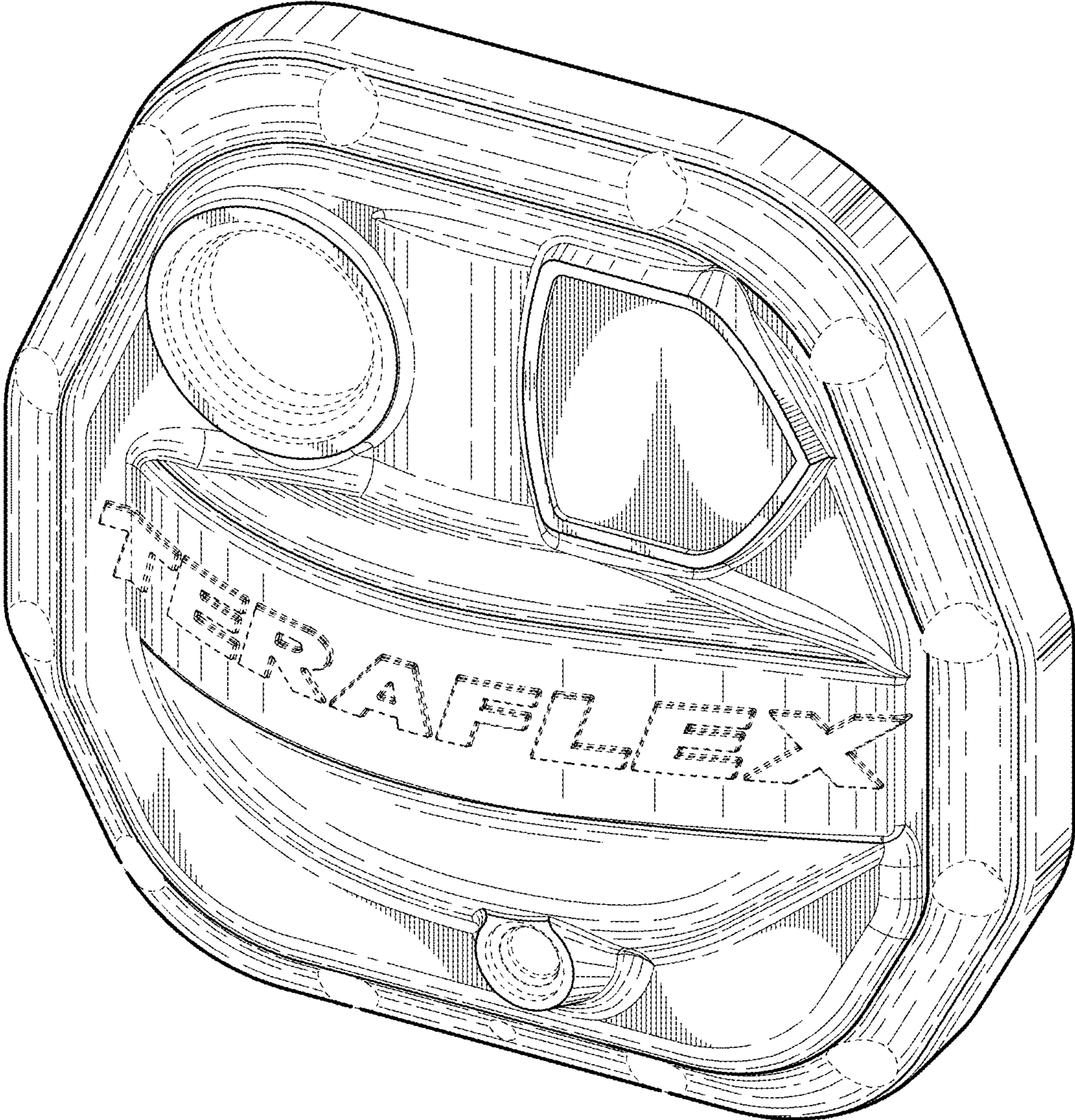
(56)

**References Cited**

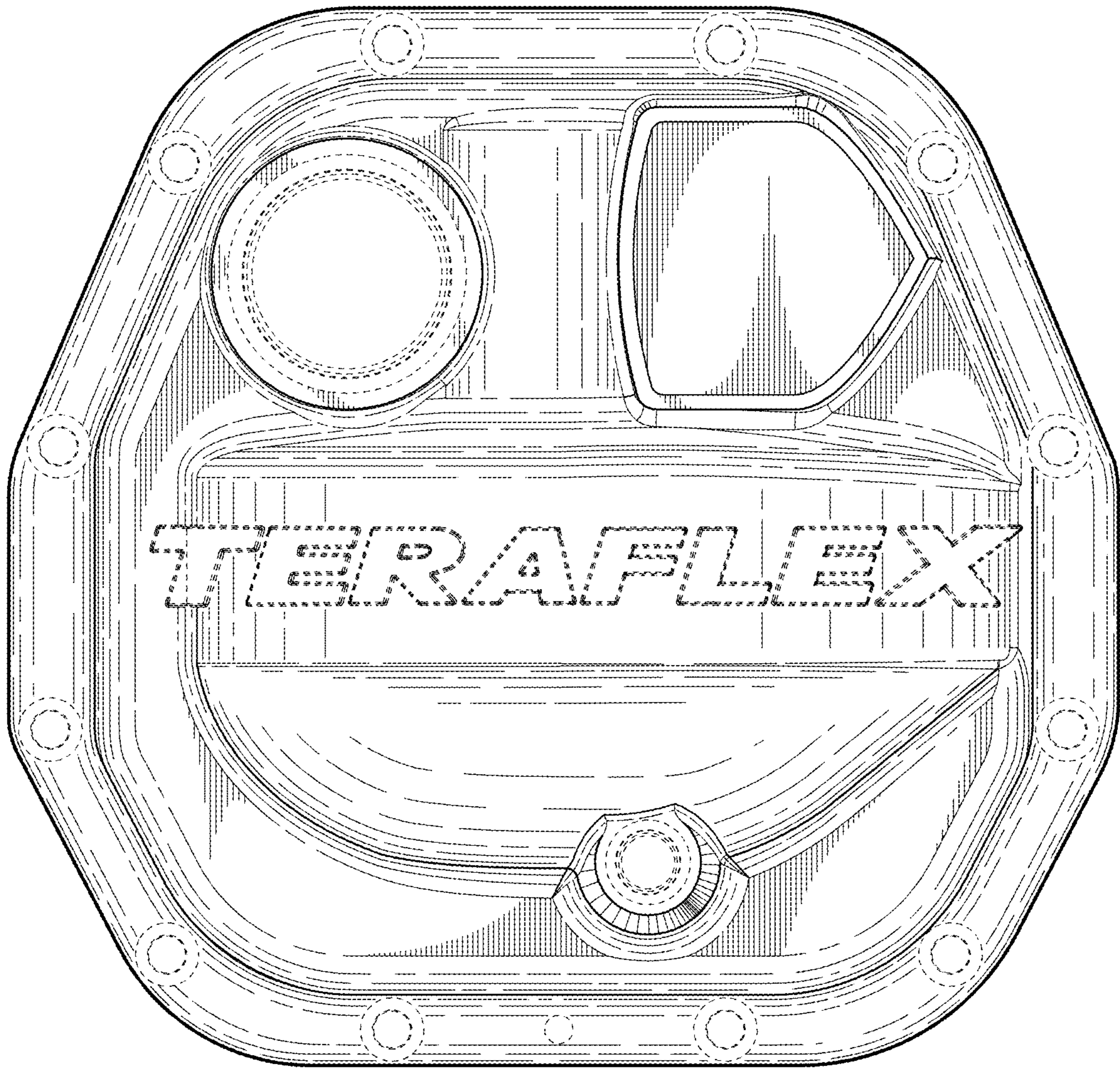
OTHER PUBLICATIONS

AEV; "Differential Covers for Jeep Wrangler JL & Jeep Gladiator for Gladiator"; printed on Sep. 17, 2021; pp. 1-4; located at <https://www.aev-conversions.com/product/jl-differential-covers/>.

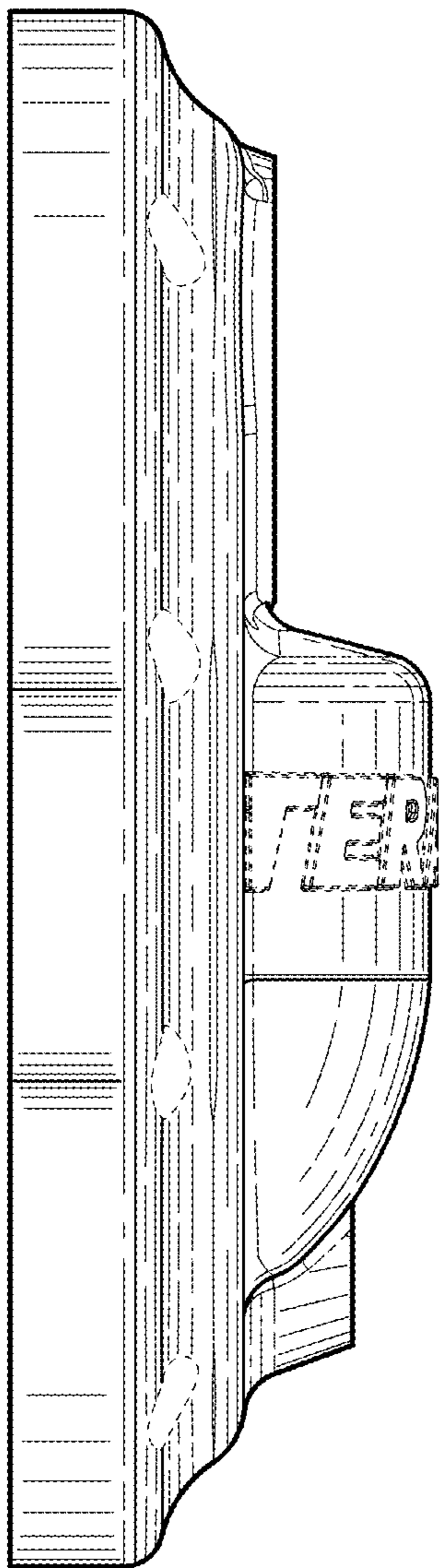
\* cited by examiner



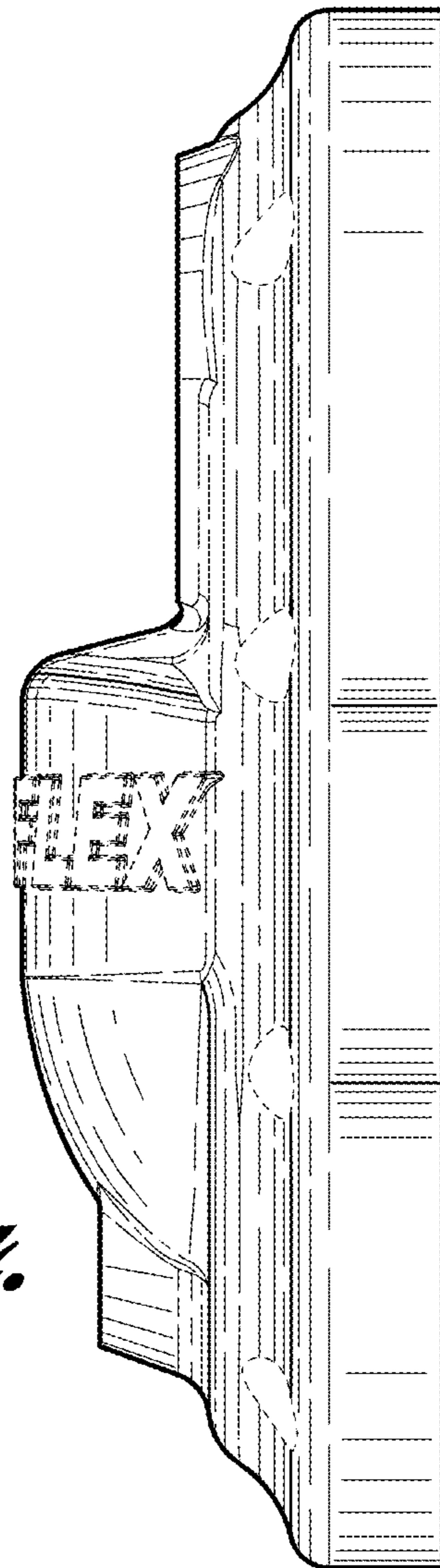
*Fig. 1.*



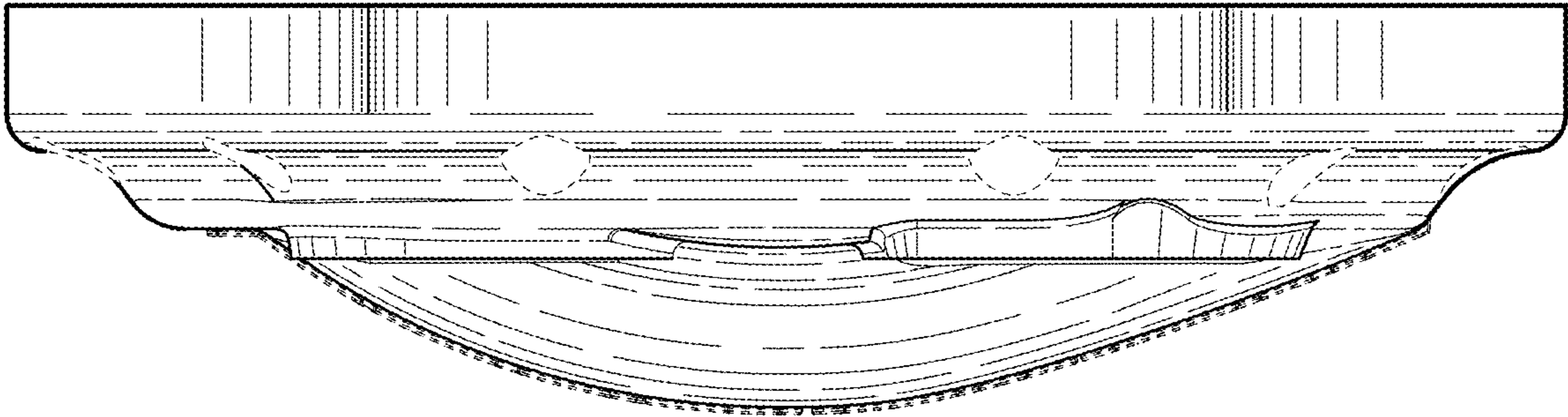
*Fig. 2.*



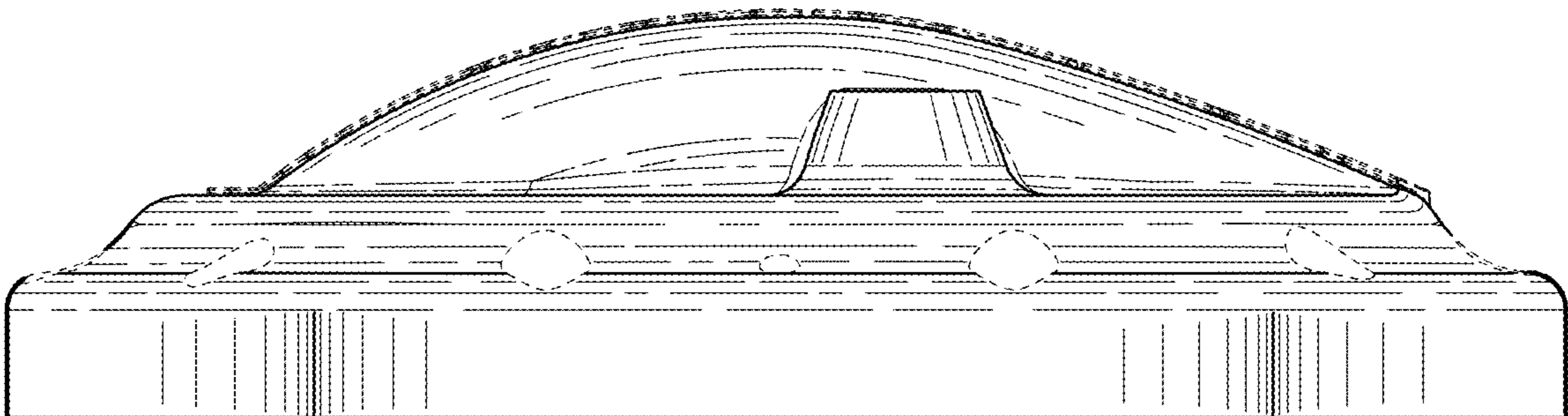
*Fig. 3.*



*Fig. 4.*



*Fig. 5.*



*Fig. 6.*