



US00D954611S

(12) **United States Design Patent**
Owens et al.

(10) **Patent No.:** **US D954,611 S**
(45) **Date of Patent:** **** Jun. 14, 2022**

(54) **DIFFERENTIAL COVER FOR A VEHICLE**

(71) Applicant: **MF IP Holding, LLC**, West Jordan, UT (US)

(72) Inventors: **Michael Grant Owens**, Herriman, UT (US); **Bryce Aaron Calvin**, West Jordan, UT (US)

(73) Assignee: **MF IP HOLDING, LLC**, West Jordan, UT (US)

(**) Term: **15 Years**

(21) Appl. No.: **29/756,839**

(22) Filed: **Oct. 30, 2020**

(51) **LOC (13) Cl.** **12-16**

(52) **U.S. Cl.**
USPC **D12/160**

(58) **Field of Classification Search**
USPC D12/159, 160, 161, 400; D15/1, 2, 3, 4, D15/5, 6, 7, 9, 138, 148, 149, 150, 152, D15/199; D13/162
CPC F16H 48/00; F16H 48/08; F16H 48/22; F16H 48/32; F16H 48/38; F16H 48/40; F16H 2048/382; F16H 2048/387

See application file for complete search history.

(56) **References Cited**

U.S. PATENT DOCUMENTS

- 3,153,464 A * 10/1964 Nelson F16H 48/06 184/11.2
- 4,625,581 A * 12/1986 Hull F16H 57/029 74/606 R
- D327,280 S * 6/1992 Macomber D12/160
- 8,109,000 B2 * 2/2012 Zalanca B60B 35/16 29/897.2
- 8,109,174 B2 * 2/2012 Hilker F16H 57/0483 74/606 A
- 8,161,649 B1 * 4/2012 McGean F16H 57/037 29/893.1

- D798,906 S * 10/2017 Bennett D15/5
- 2003/0110885 A1 * 6/2003 Beutler F16H 57/031 74/606 R
- 2006/0021463 A1 * 2/2006 Peterson B60K 17/36 74/606 R
- 2016/0009136 A1 * 1/2016 Chung F16H 57/037 475/230
- 2016/0046151 A1 * 2/2016 Kelly B60R 1/002 74/607

OTHER PUBLICATIONS

Teraflex Dana 44 Differential Cover, Published date unavailable [online], [retrieved on Jan. 25, 2022]. Retrieved from the Internet: <https://teraflex.com/dana-44-advantek-m210-front-hd-differential-cover-kit.html> (Year: 2022).*

* cited by examiner

Primary Examiner — Cary M Robinson

Assistant Examiner — Adam C Mager

(74) *Attorney, Agent, or Firm* — Christensen O'Connor Johnson Kindness PLLC

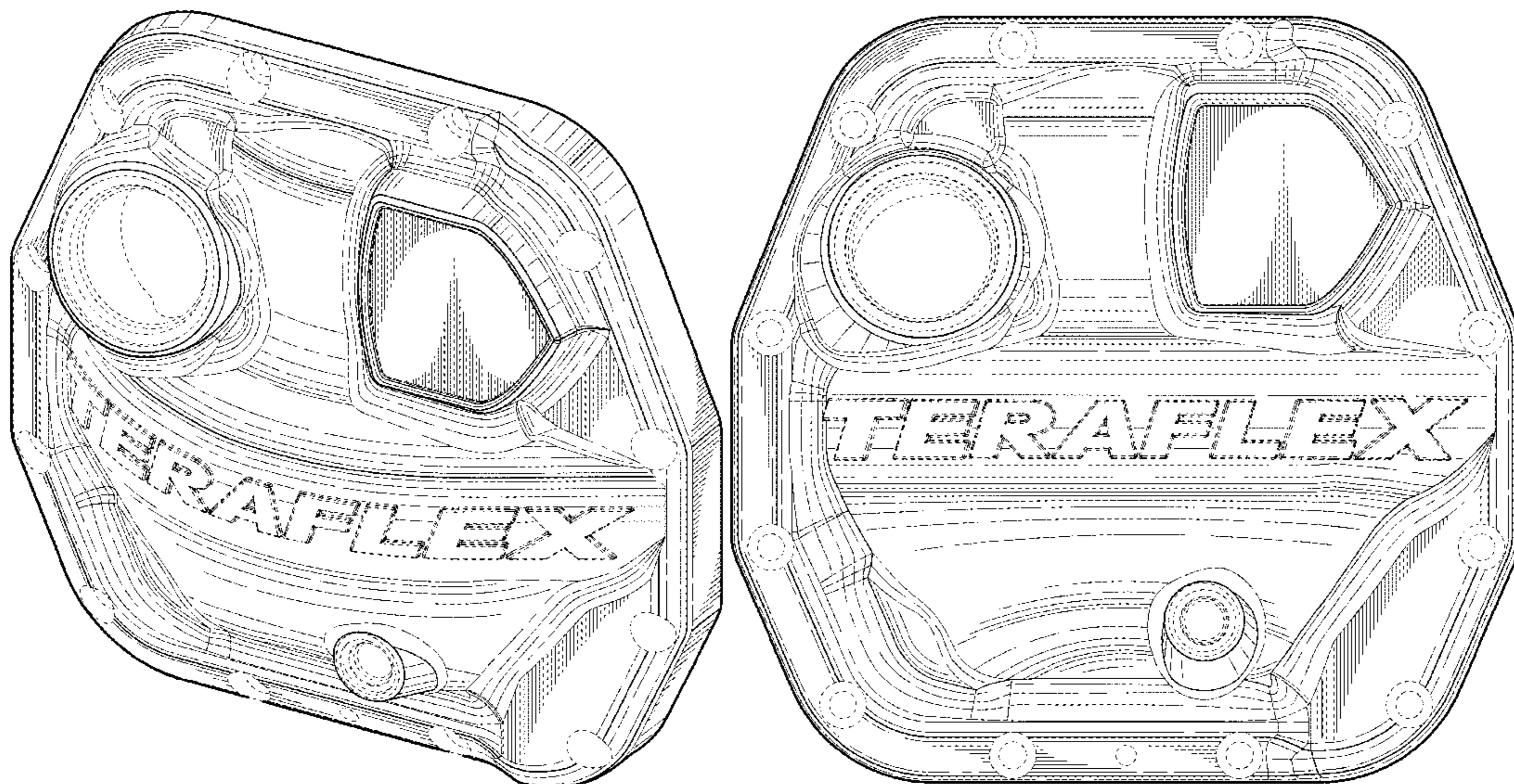
(57) **CLAIM**

The ornamental design for a differential cover for a vehicle, as shown and described.

DESCRIPTION

FIG. 1 is a perspective view of a differential cover for a vehicle according to our new design; FIG. 2 is a front elevational view thereof; FIG. 3 is a left side elevational view thereof; FIG. 4 is a right side elevational view thereof; FIG. 5 is a top plan view thereof; and, FIG. 6 is a bottom plan view thereof. The broken lines in the drawings show portions of the differential cover for a vehicle that form no part of the claimed design.

1 Claim, 4 Drawing Sheets



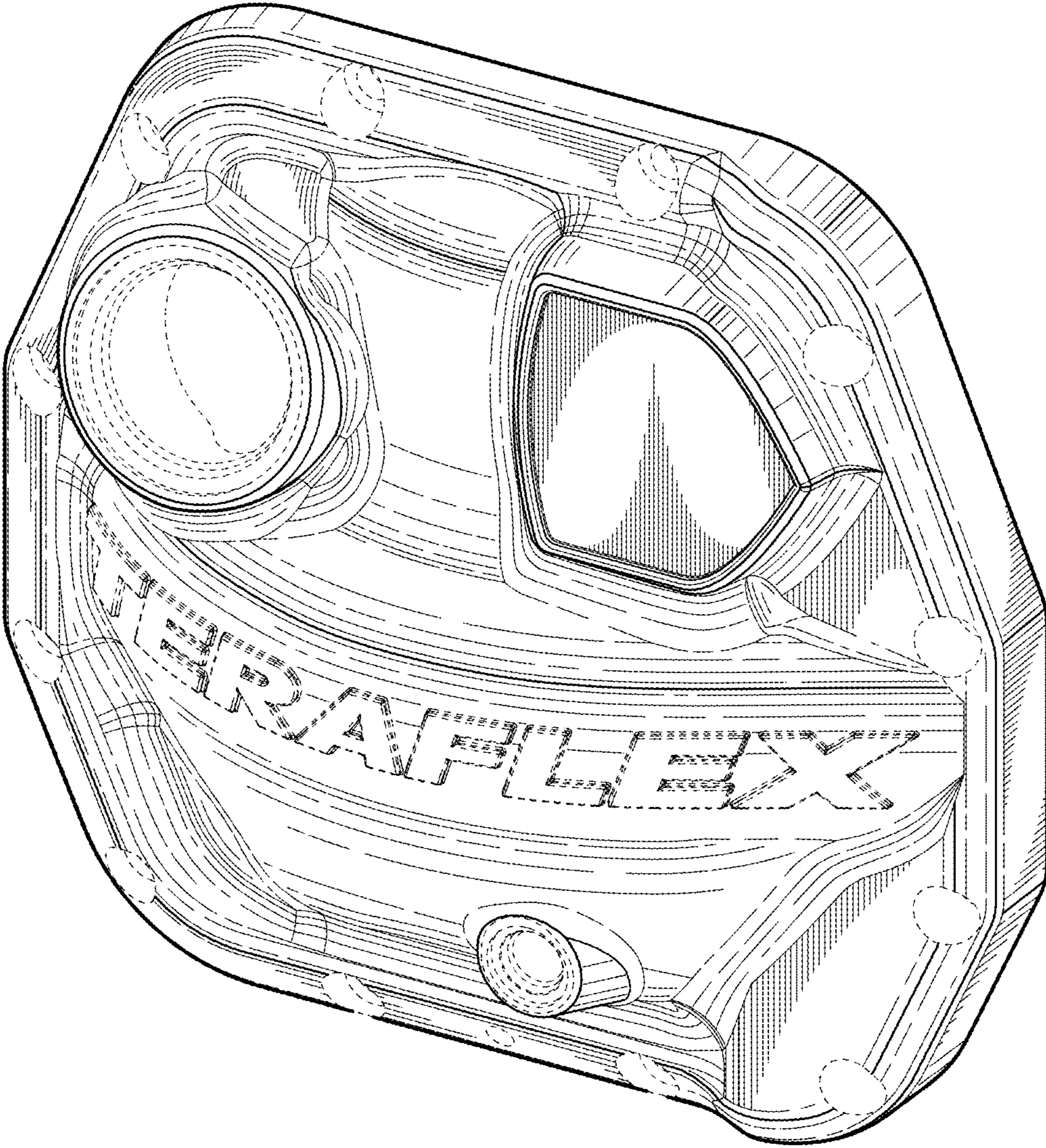


Fig. 1.

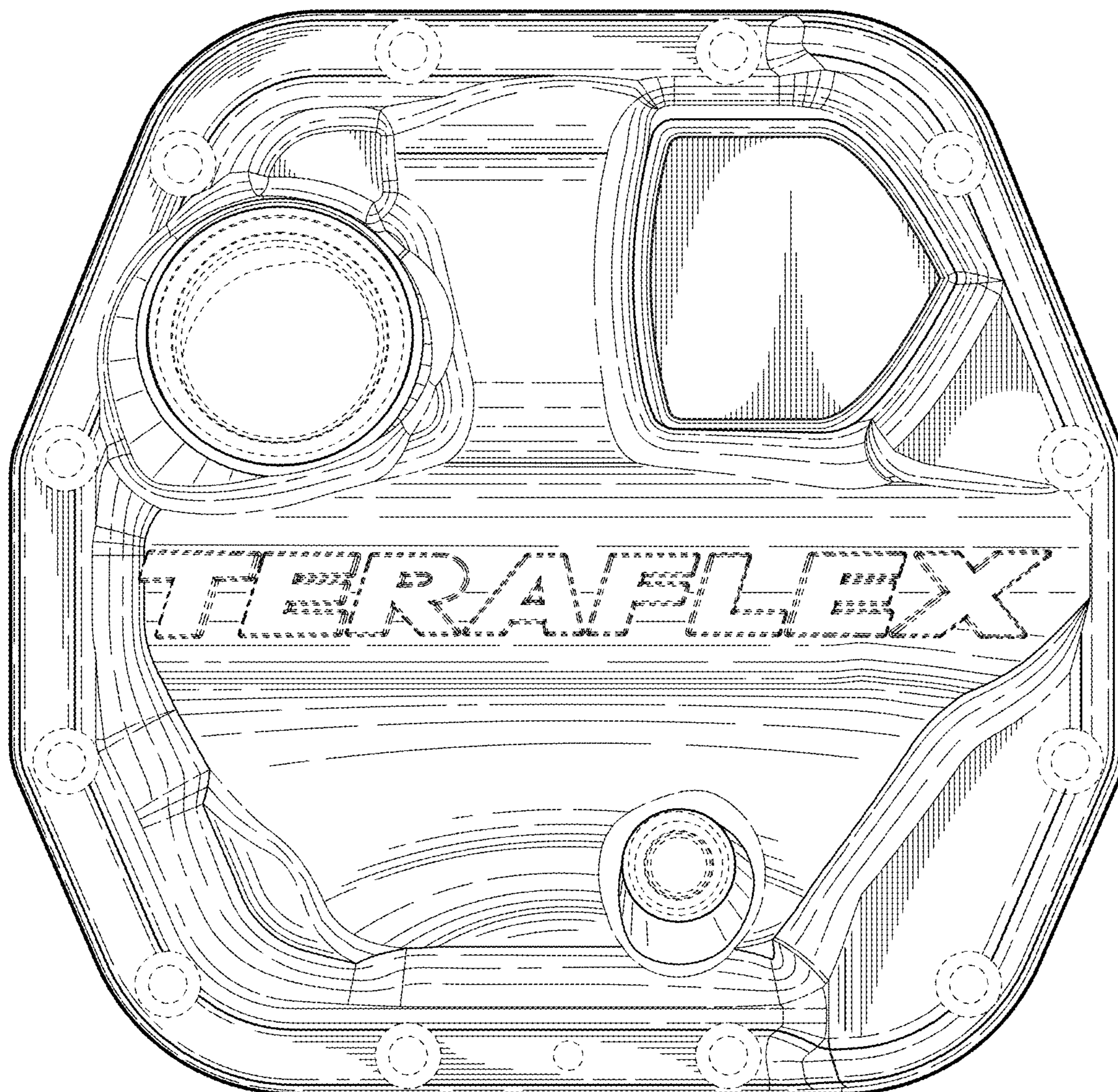


Fig. 2.

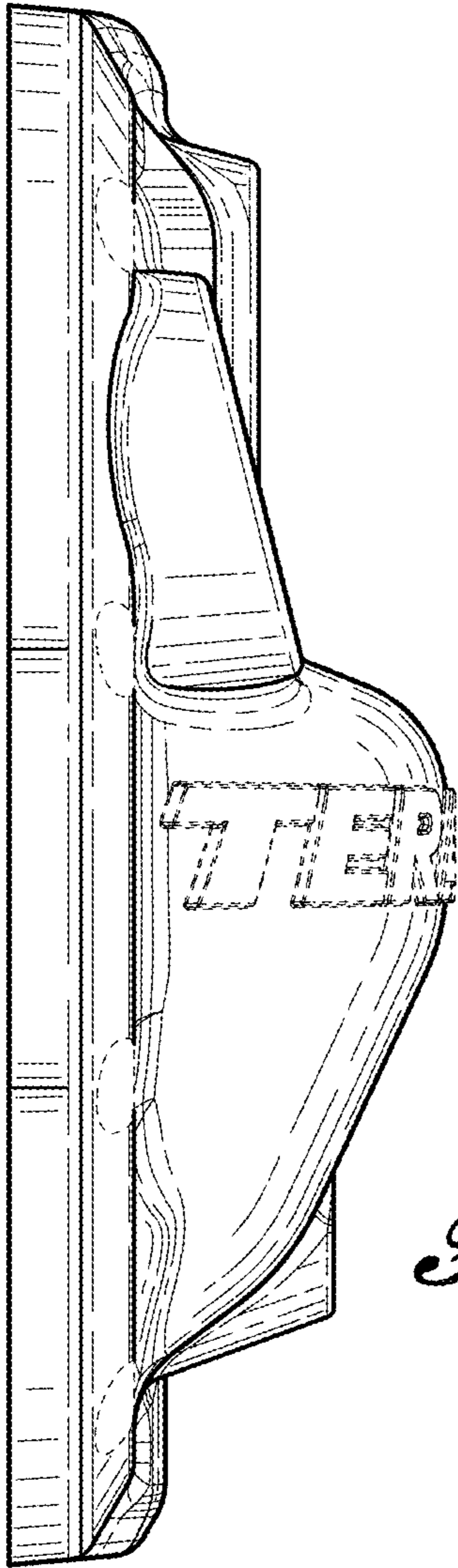


Fig. 3.

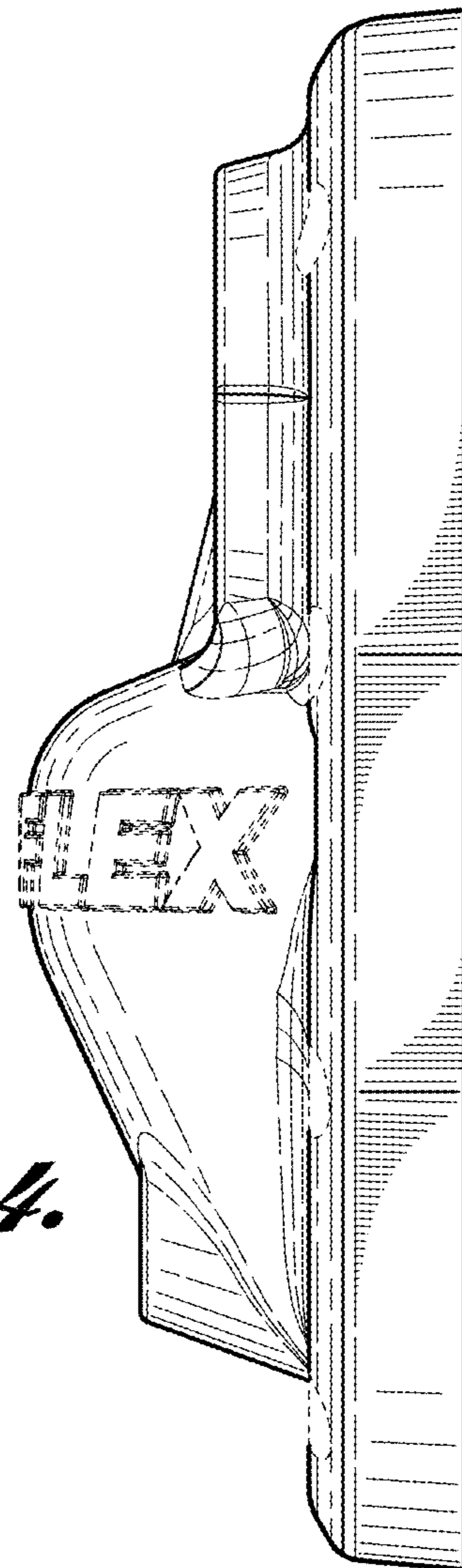


Fig. 4.

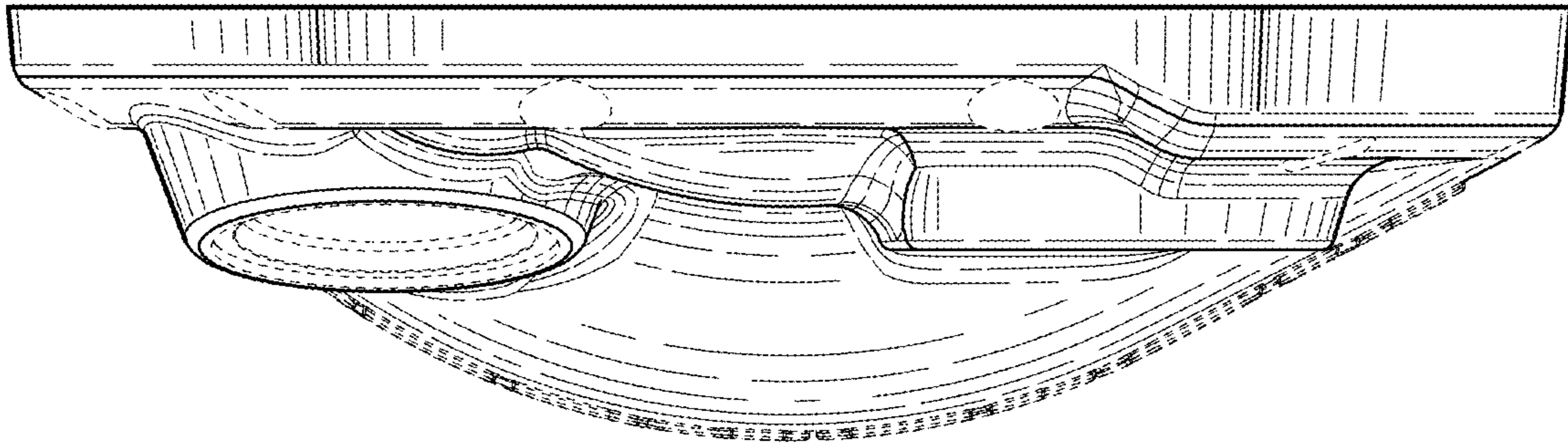


Fig. 5.

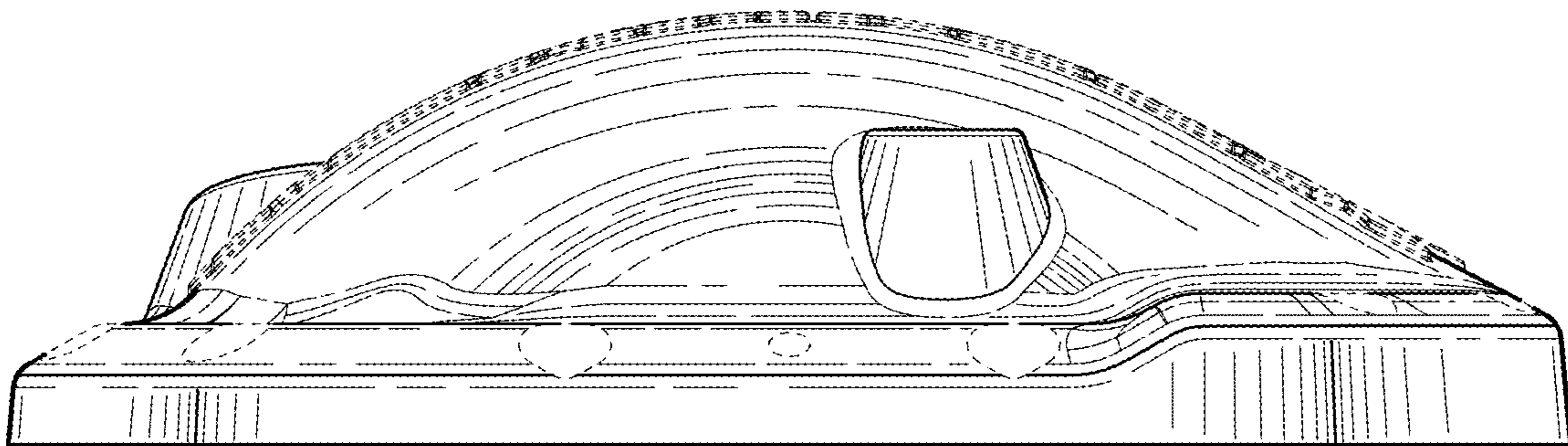


Fig. 6.