



US00D954610S

(12) **United States Design Patent**
Owens et al.

(10) **Patent No.:** **US D954,610 S**
(45) **Date of Patent:** **** Jun. 14, 2022**

- (54) **DIFFERENTIAL COVER FOR A VEHICLE**
- (71) Applicant: **MF IP Holding, LLC**, West Jordan, UT (US)
- (72) Inventors: **Michael Grant Owens**, Herriman, UT (US); **Bryce Aaron Calvin**, West Jordan, UT (US)
- (73) Assignee: **MF IP HOLDING, LLC**, West Jordan, UT (US)
- (**) Term: **15 Years**
- (21) Appl. No.: **29/756,828**
- (22) Filed: **Oct. 30, 2020**
- (51) **LOC (13) Cl.** **12-16**
- (52) **U.S. Cl.**
USPC **D12/160**
- (58) **Field of Classification Search**
USPC D12/159, 160, 161, 400; D15/1, 2, 3, 4, D15/5, 6, 7, 9, 138, 148, 149, 150, 152, D15/199; D13/162
CPC F16H 48/00; F16H 48/08; F16H 48/22; F16H 48/32; F16H 48/38; F16H 48/40; F16H 2048/382; F16H 2048/387
See application file for complete search history.

D798,906 S *	10/2017	Bennett	D15/5
2003/0110885 A1 *	6/2003	Beutler	F16H 57/031
				74/606 R
2006/0021463 A1 *	2/2006	Peterson	B60K 17/36
				74/606 R
2016/0009136 A1 *	1/2016	Chung	F16H 57/037
				475/230
2016/0046151 A1 *	2/2016	Kelly	B60R 1/002
				74/607

OTHER PUBLICATIONS

Teraflex Dana 30 Differential Cover, Published date unavailable [online], [retrieved on Jan. 24, 2022]. Retrieved from the Internet: <https://www.extremeterrain.com/teraflex-xtg-dana-30-differential-cover-kit-for-advantek-axles-m186-front-3990731.html?> (Year: 2022).*

* cited by examiner

Primary Examiner — Cary M Robinson
Assistant Examiner — Adam C Mager
(74) *Attorney, Agent, or Firm* — Christensen O'Connor Johnson Kindness PLLC

(57) **CLAIM**

The ornamental design for a differential cover for a vehicle, as shown and described.

DESCRIPTION

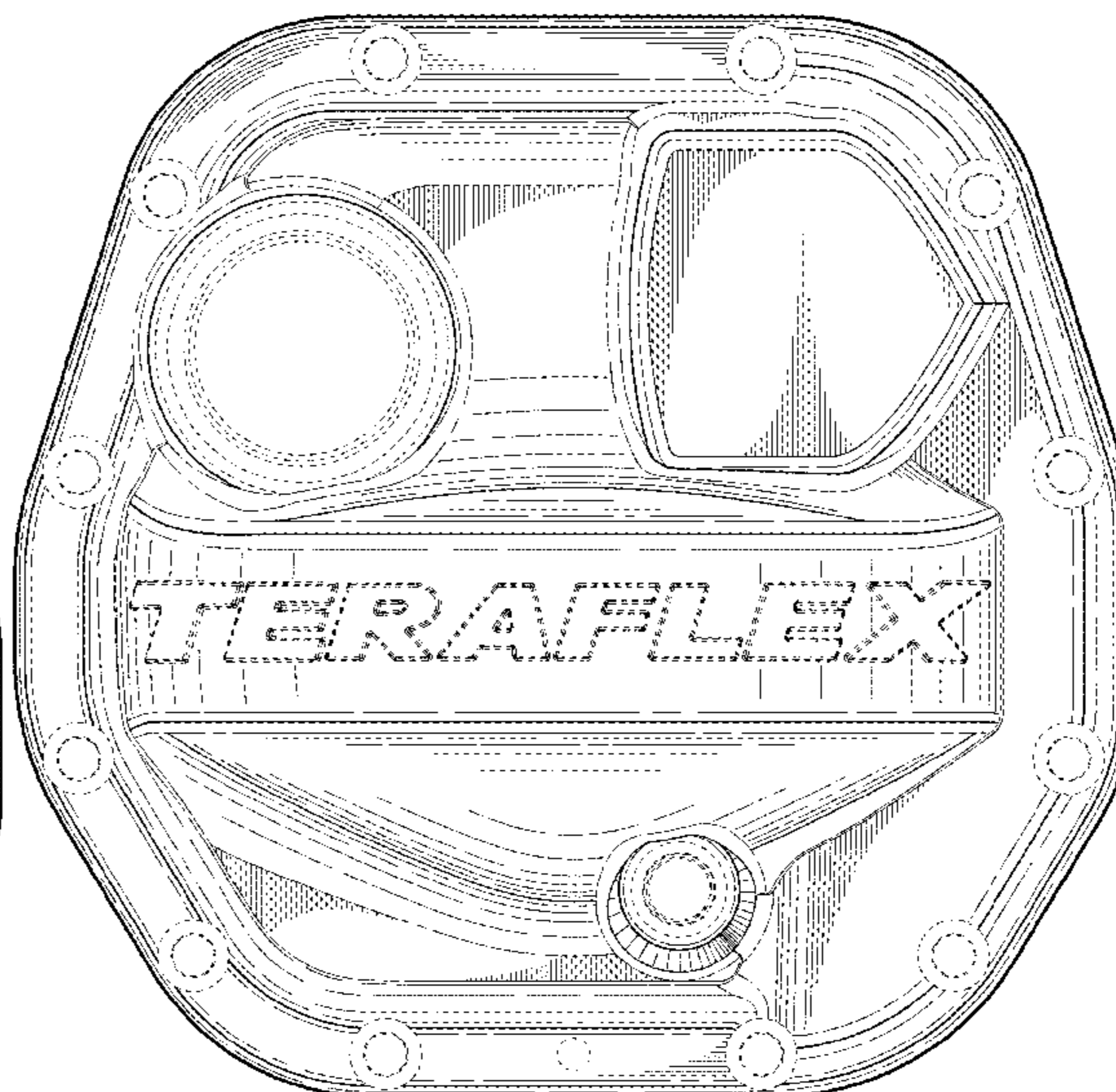
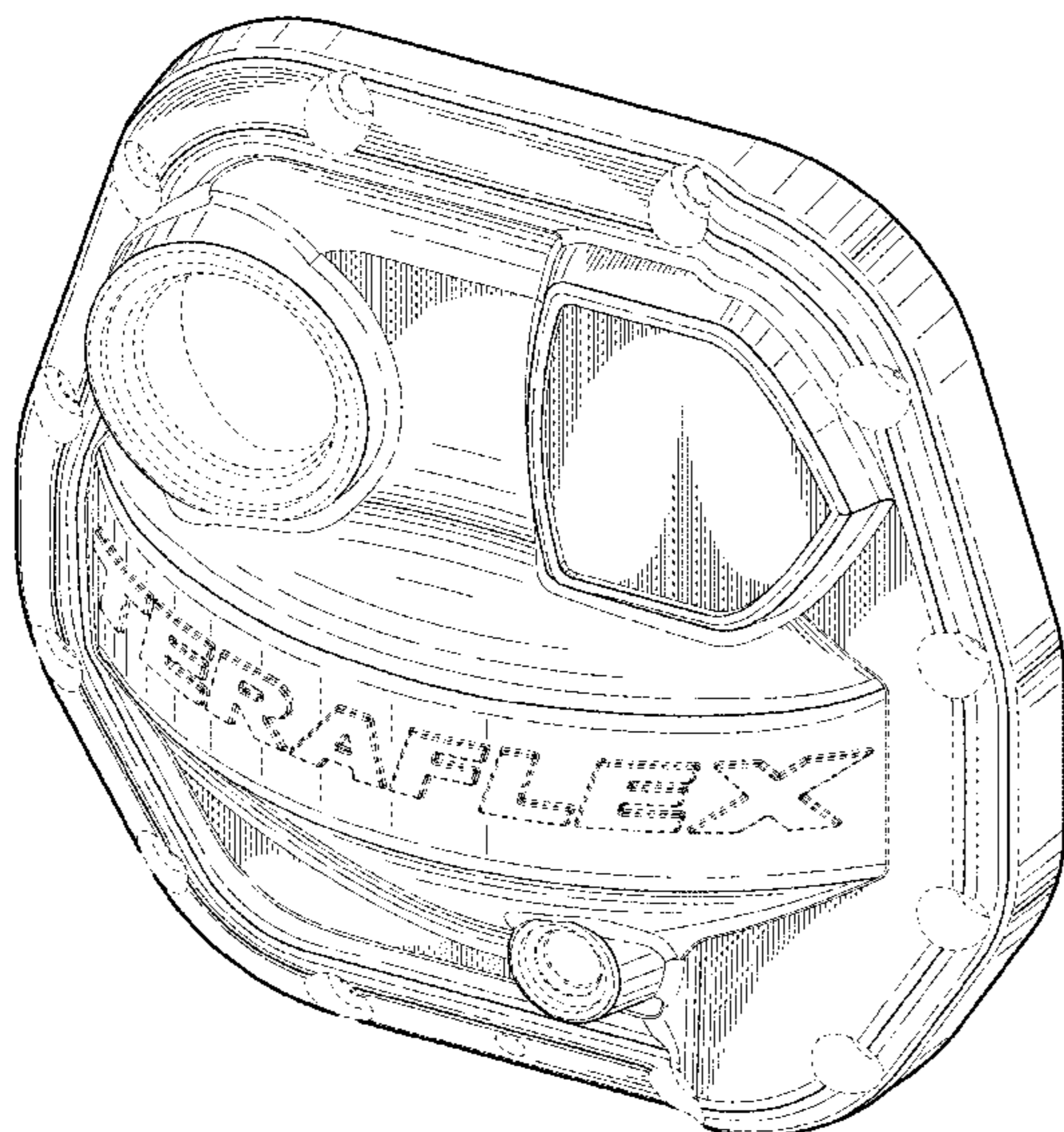
FIG. 1 is a perspective view of a differential cover for a vehicle according to our new design; FIG. 2 is a front elevational view thereof; FIG. 3 is a left side elevational view thereof; FIG. 4 is a right side elevational view thereof; FIG. 5 is a top plan view thereof; and, FIG. 6 is a bottom plan view thereof. The broken lines in the drawings show portions of the differential cover for a vehicle that form no part of the claimed design.

1 Claim, 4 Drawing Sheets

(56) **References Cited**

U.S. PATENT DOCUMENTS

3,153,464 A *	10/1964	Nelson	F16H 48/06
				184/11.2
4,625,581 A *	12/1986	Hull	F16H 57/029
				74/606 R
D327,280 S *	6/1992	Macomber	D12/160
8,109,000 B2 *	2/2012	Zalanca	B60B 35/16
				29/897.2
8,109,174 B2 *	2/2012	Hilker	F16H 57/0483
				74/606 A
8,161,649 B1 *	4/2012	McGean	F16H 57/037
				29/893.1



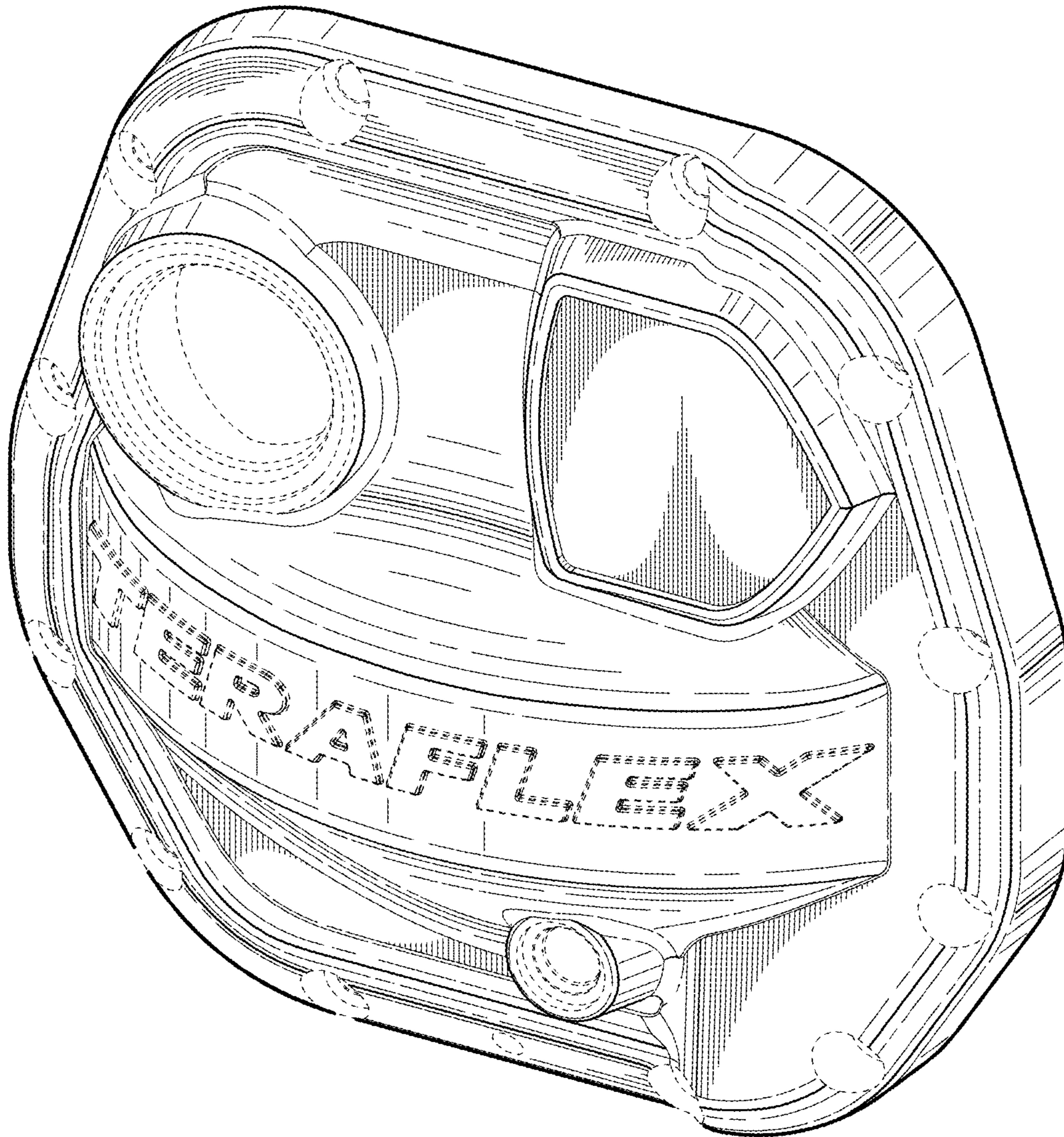


Fig. 1.

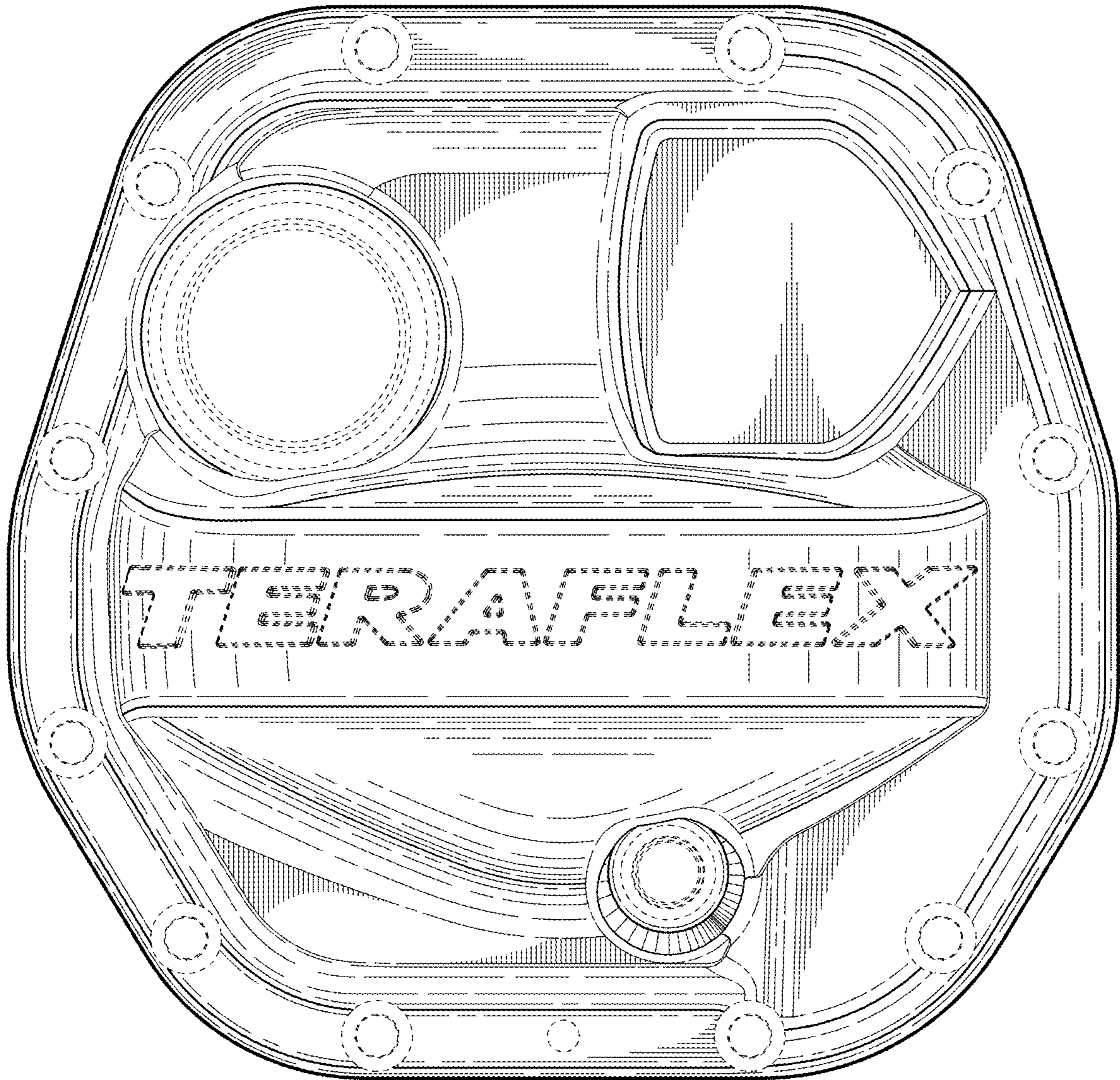


Fig. 2.

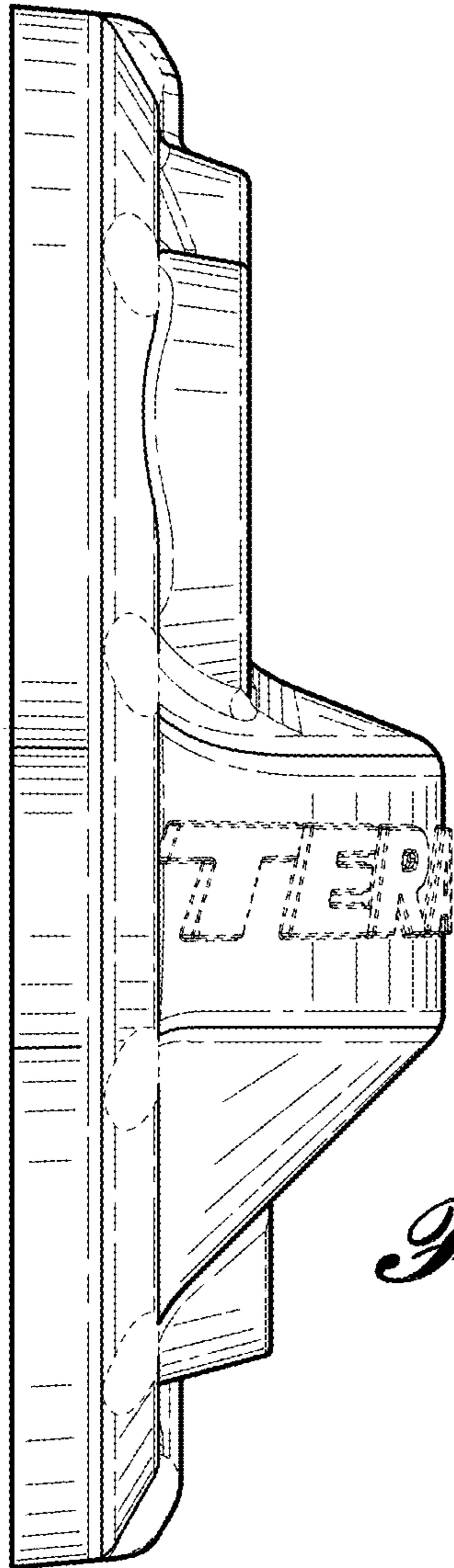


Fig. 3.

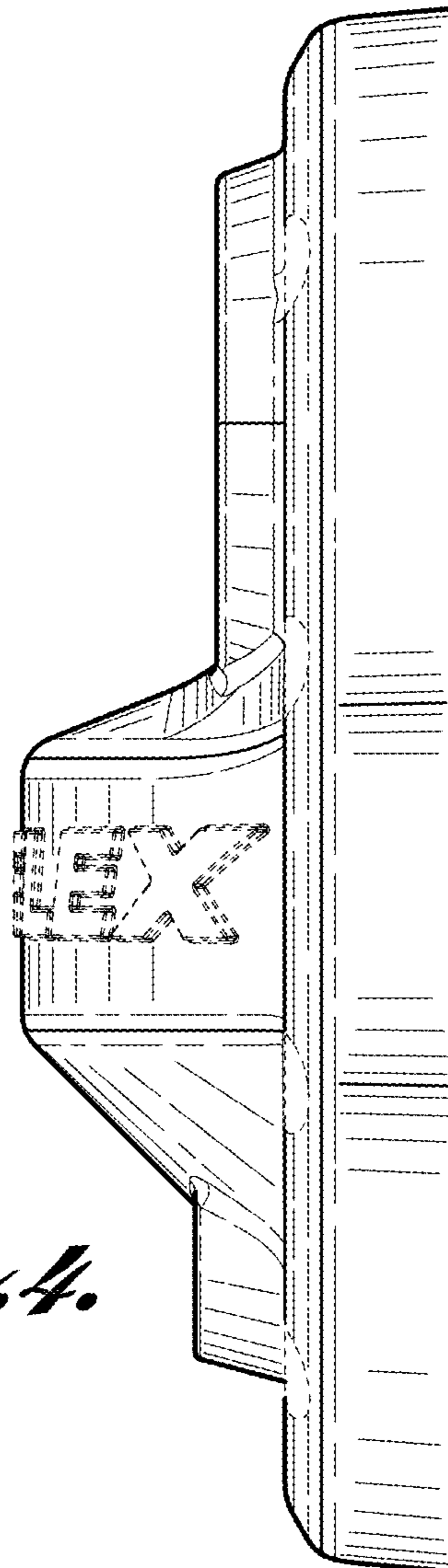


Fig. 4.

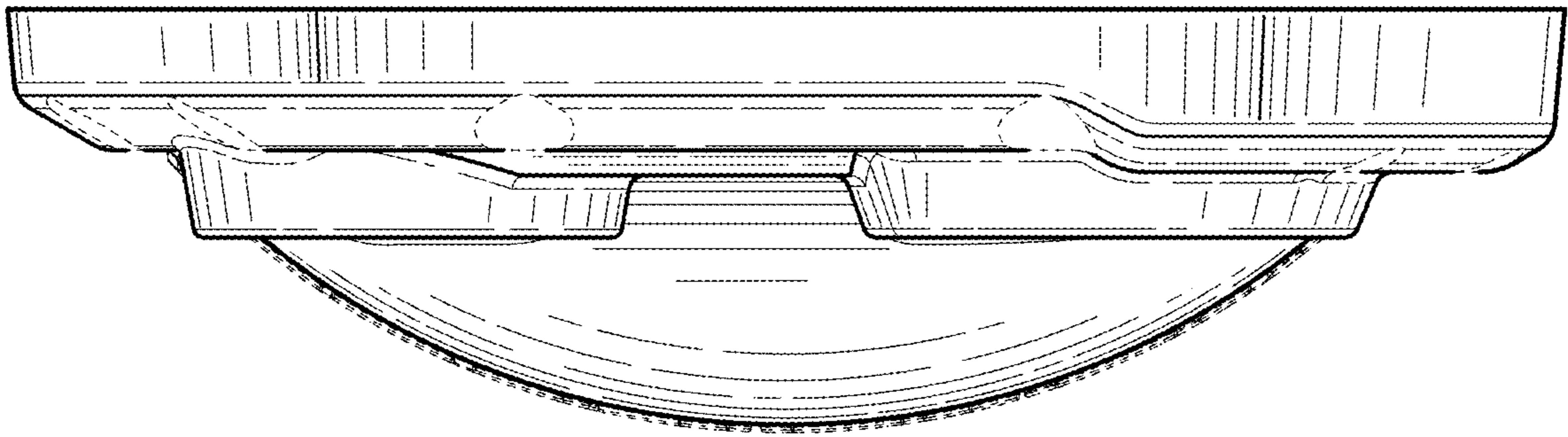


Fig. 5.

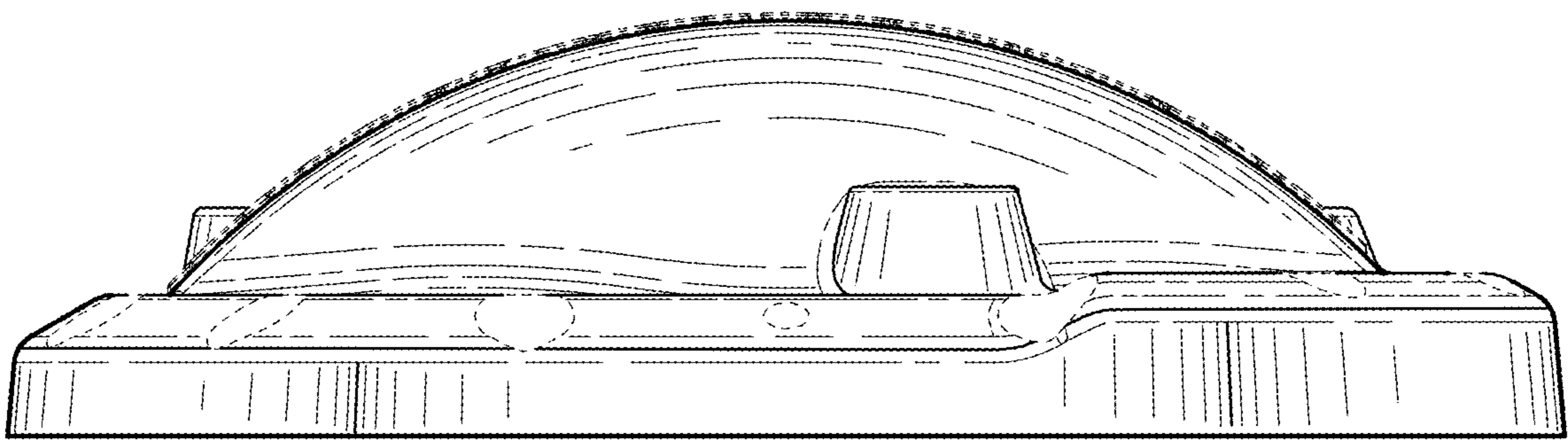


Fig. 6.