



US00D954607S

(12) **United States Design Patent**
Singh

(10) **Patent No.:** **US D954,607 S**
(45) **Date of Patent:** **** Jun. 14, 2022**

(54) **MOTOR SCOOTER**
(71) Applicant: **Bajaj Auto Limited**, Pune (IN)
(72) Inventor: **Gagandeep Singh**, Pune (IN)
(73) Assignee: **Bajaj Auto Limited**, Pune (IN)
(**) Term: **15 Years**
(21) Appl. No.: **29/730,278**

D761,699 S * 7/2016 Watanabe D12/110
D793,286 S * 8/2017 Chuang D12/110
D806,610 S * 1/2018 Su D12/110
D819,500 S * 6/2018 Singh D12/110
D906,889 S * 1/2021 Piatti D12/110
(Continued)

(22) Filed: **Apr. 2, 2020**
(51) **LOC (13) Cl.** **12-11**
(52) **U.S. Cl.**
USPC **D12/110**
(58) **Field of Classification Search**
USPC D12/110, 111, 117; D21/432, 538
CPC B62K 11/00; B62K 11/02; B62K 11/04;
B62K 11/10; B62K 17/00; B62K 19/00;
B62K 2202/00
See application file for complete search history.

FOREIGN PATENT DOCUMENTS

IN 325976-001 * 8/2020

OTHER PUBLICATIONS

“Chetak Brand New Electric Scooter” Chetak., posted date Jan. 30, 2019 [online], [retrieved on Jul. 1, 2021]. Retrieved from the Internet <URL:https://www.chetak.com/> (Year: 2019).*

(Continued)

Primary Examiner — Darlington Ly
Assistant Examiner — Nasim Abdulaziz Ali

(57) **CLAIM**

The ornamental design for a motor scooter, as shown and described.

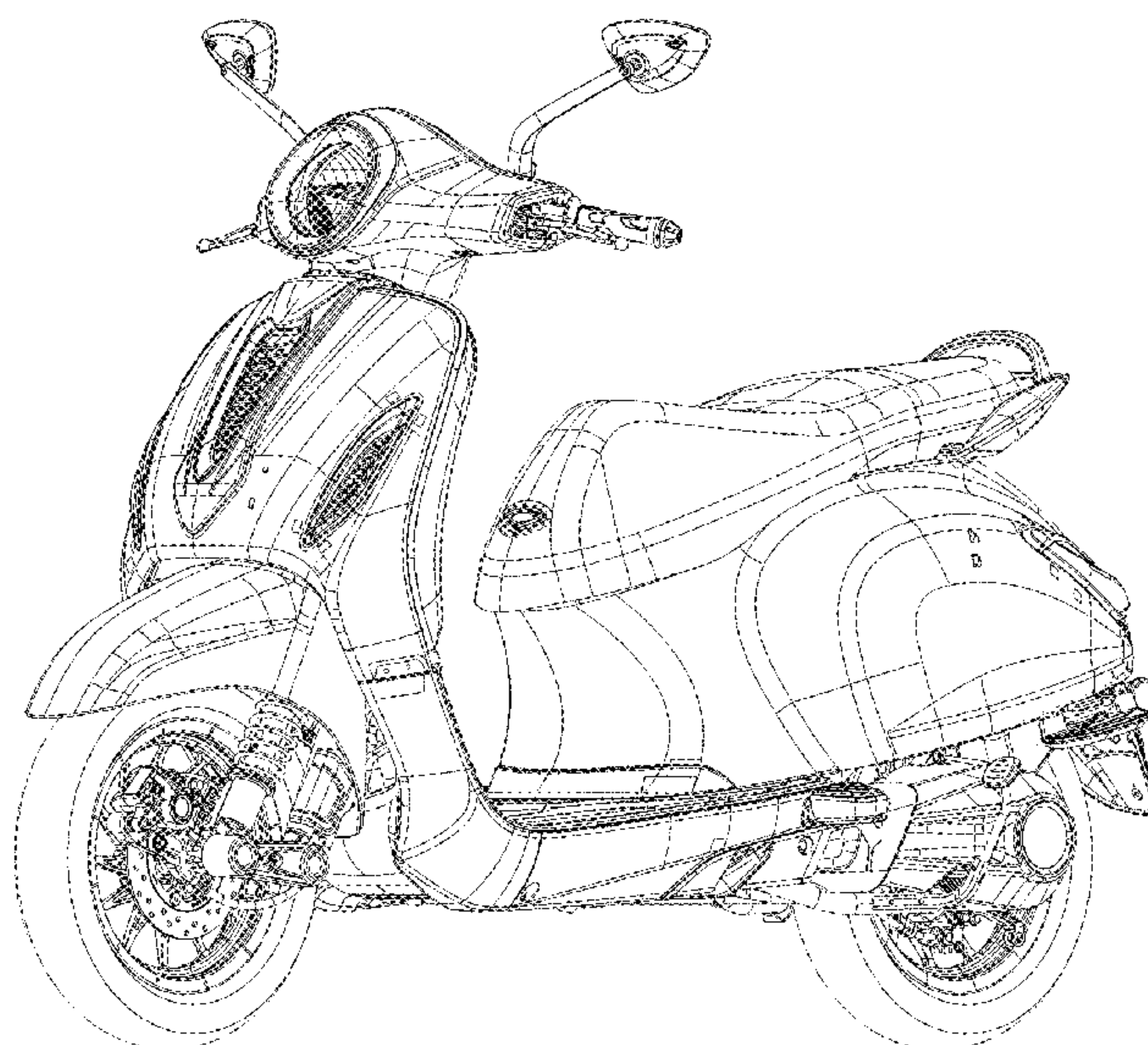
DESCRIPTION

FIG. 1 is a front elevation view of a motor scooter, embodying my new design;
FIG. 2 is front and right side perspective view thereof;
FIG. 3 is a right side elevation view thereof;
FIG. 4 is a rear and right side perspective view thereof;
FIG. 5 is a rear elevation view thereof;
FIG. 6 is a rear and left side perspective view thereof;
FIG. 7 is a left side elevation view thereof;
FIG. 8 is a front and left side perspective view thereof;
FIG. 9 is a top plan view thereof; and,
FIG. 10 is a top and left side perspective view thereof, where features shown in broken line in the drawings are for illustrative purposes only and form no part of the claimed design.

1 Claim, 10 Drawing Sheets

(56) **References Cited**
U.S. PATENT DOCUMENTS

D533,117 S * 12/2006 Joseph D12/110
D537,386 S * 2/2007 Mizuta D12/110
D586,700 S * 2/2009 Chiu D12/110
D602,813 S * 10/2009 Chao D12/110
D602,815 S * 10/2009 Lin D12/110
D612,770 S * 3/2010 Chen D12/110
D622,637 S * 8/2010 Schneider D12/110
D642,497 S * 8/2011 Lin D12/110
D644,961 S * 9/2011 Watanabe D12/110
D647,006 S * 10/2011 Hung D12/110
D657,722 S * 4/2012 Lambri D12/110
D664,898 S * 8/2012 Van Hooydonk D12/110
D673,882 S * 1/2013 Tartarini D12/110
D678,128 S * 3/2013 Lambri D12/110
D680,911 S * 4/2013 Wu D12/110
D690,235 S * 9/2013 Wu D12/110
D729,124 S * 5/2015 Lambri D12/110
D735,084 S * 7/2015 Lambri D12/110



(56)

References Cited

U.S. PATENT DOCUMENTS

D915,948 S * 4/2021 Hsieh D12/110
D916,627 S * 4/2021 An D12/110

OTHER PUBLICATIONS

“Bajaj Auto Chetak Electric Scooter” Bajaj., posted date Aug. 20, 2020 [online], [retrieved on Jul. 1, 2021]. Retrieved from the Internet <URL:https://auto.hindustantimes.com/auto/two-wheelers/bajaj-auto-sells-120-units-of-chetak-electric-scooter-in-july-41598184964777.html> (Year: 2020).*

“Bajaj Auto Chetak Electric Scooter” Mint., posted date Jan. 15, 2020 [online], [retrieved on Jul. 1, 2021]. Retrieved from the Internet <URL:https://www.livemint.com/auto-news/bajaj-chetak-electric-scooter-booking-opens-today-pay-only-rs-2-000-11579062502848.html> (Year: 2020).*

* cited by examiner

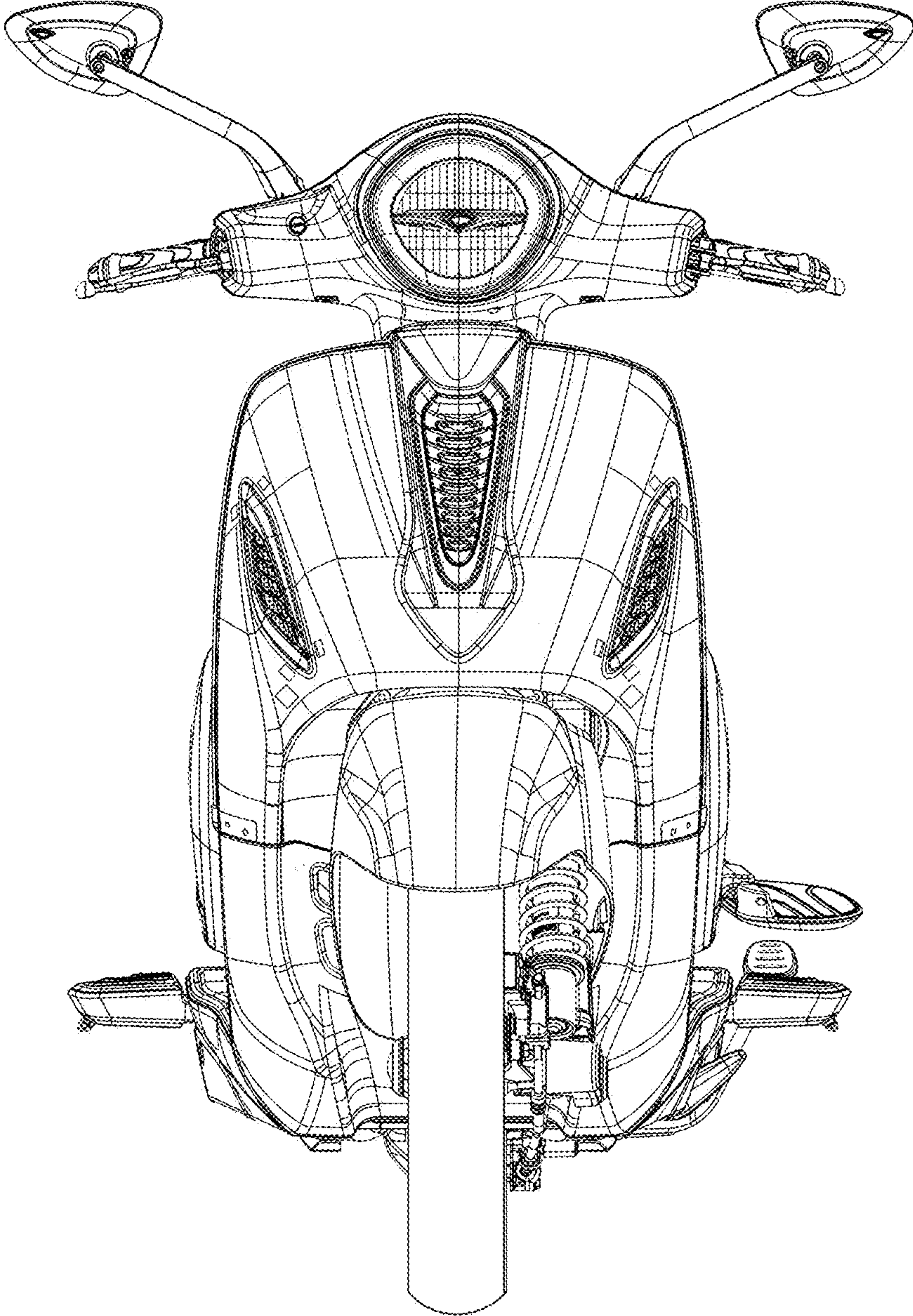


FIG. 1

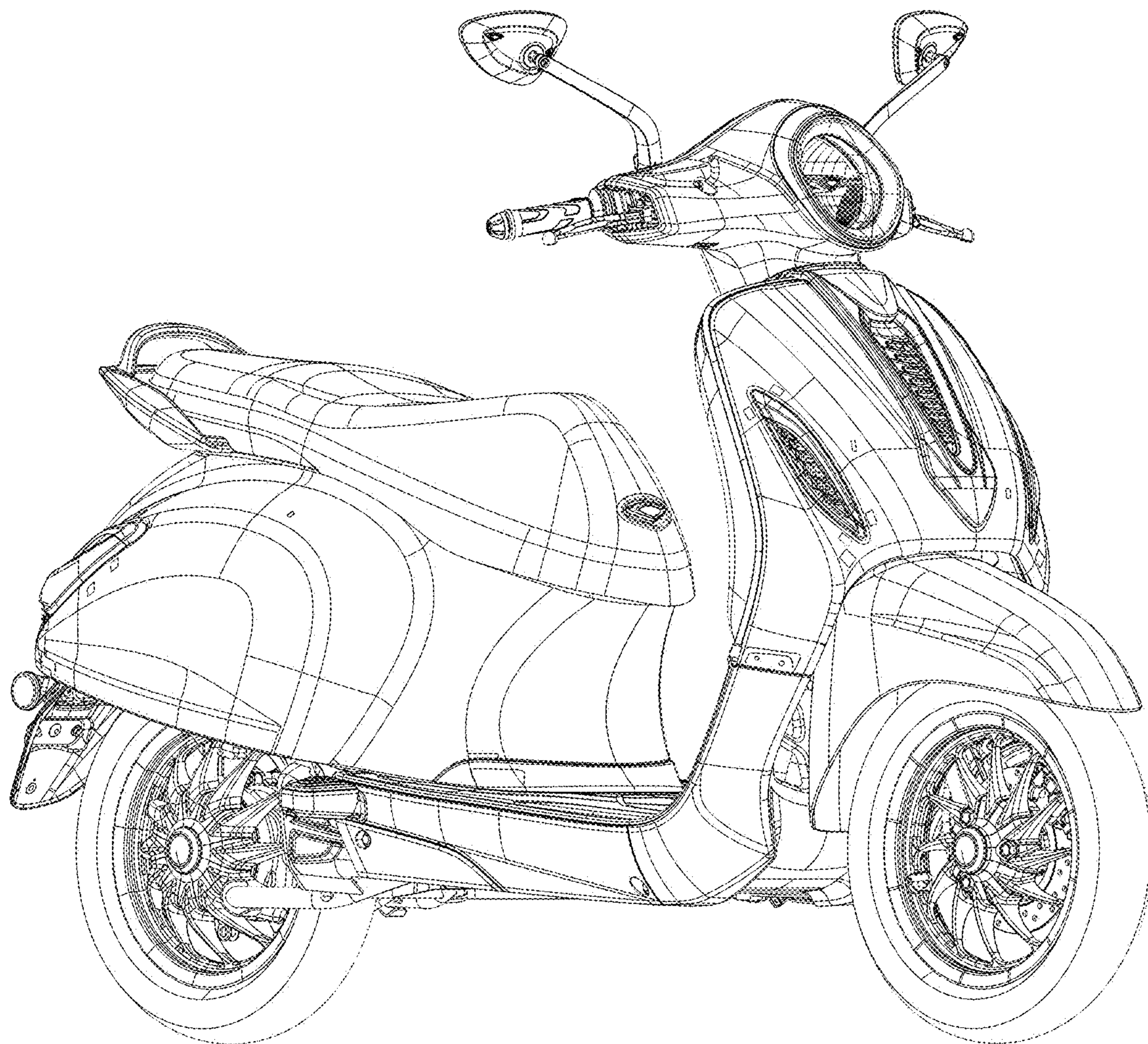


FIG. 2

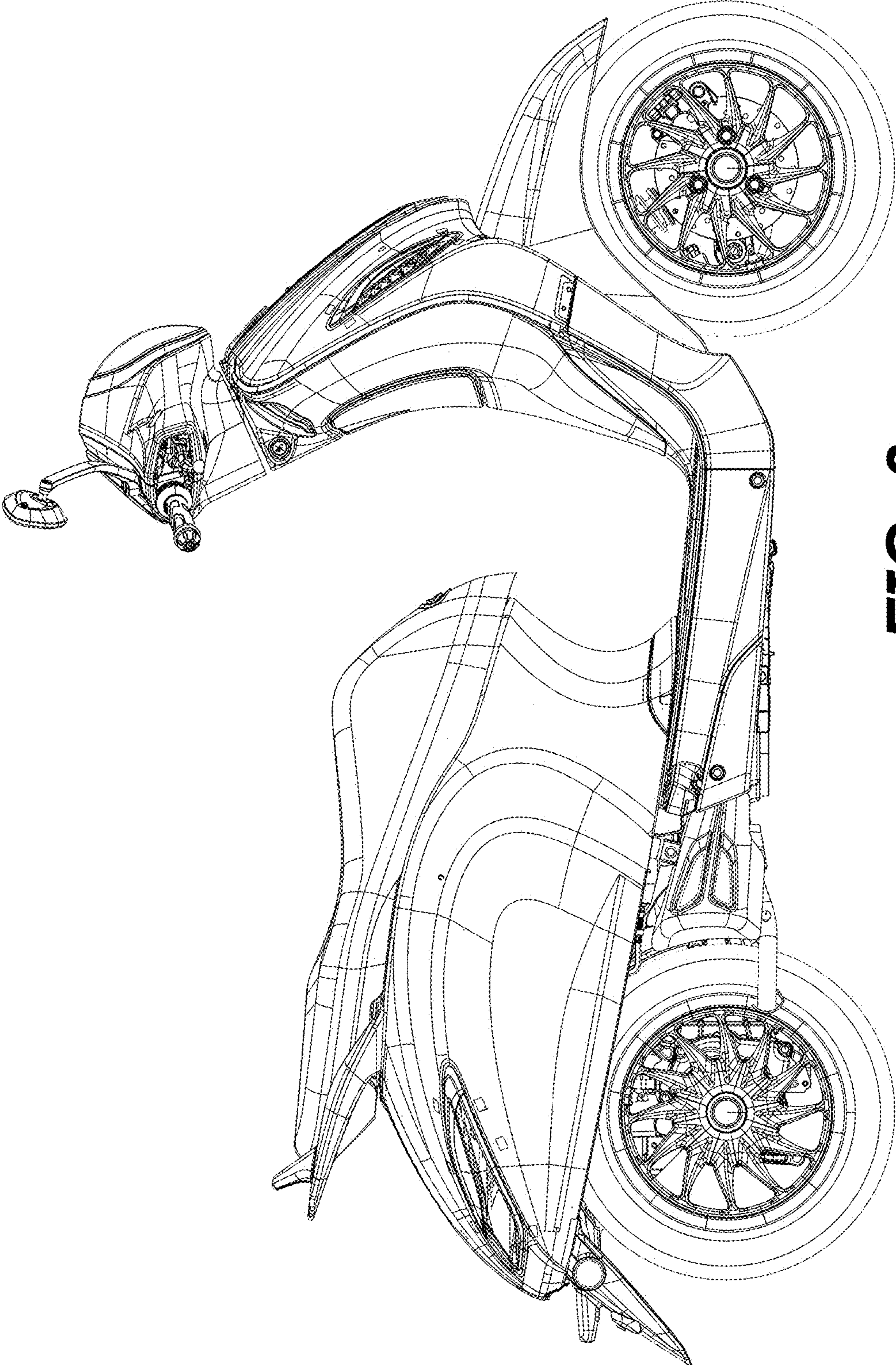


FIG. 3

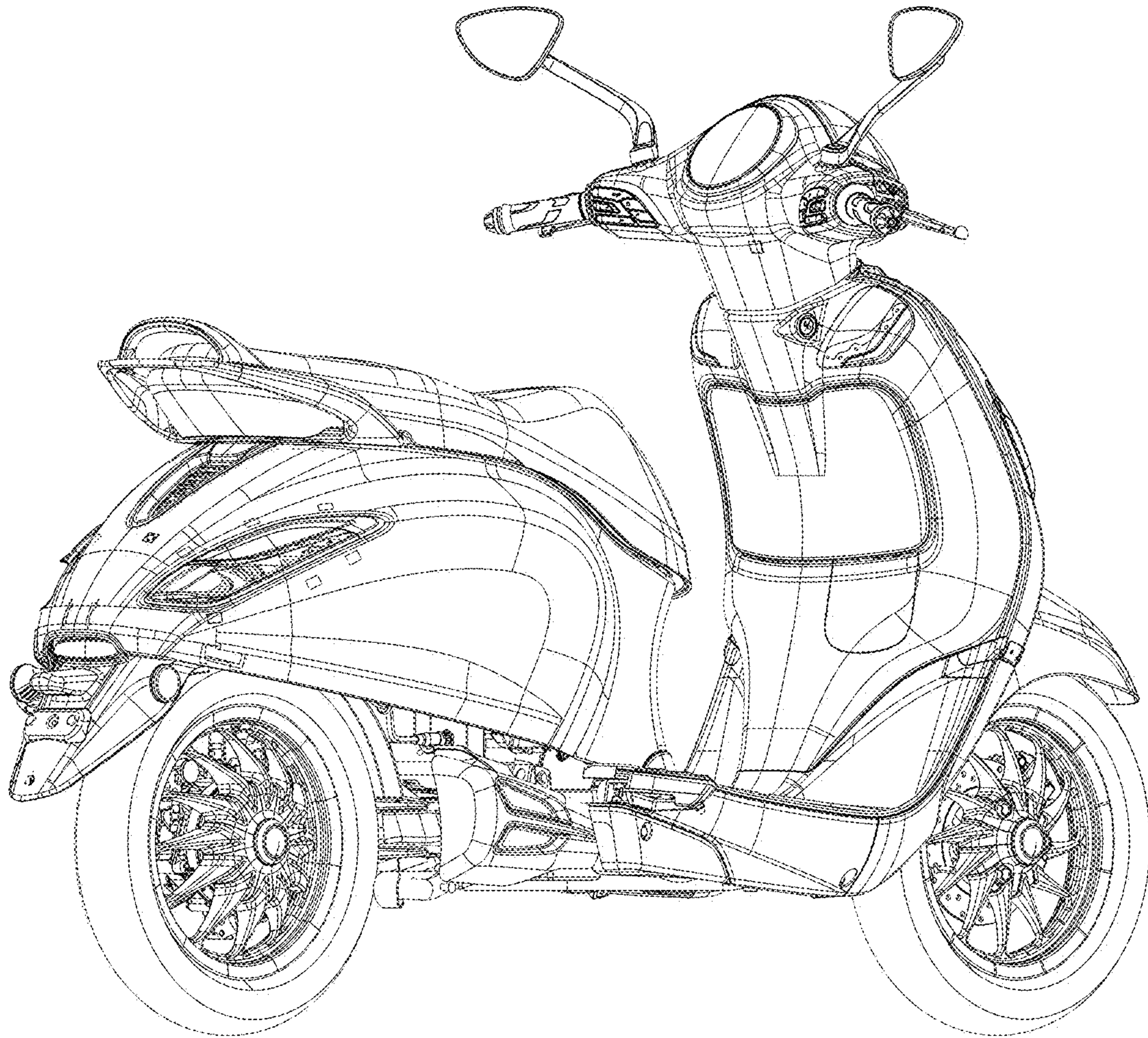


FIG. 4

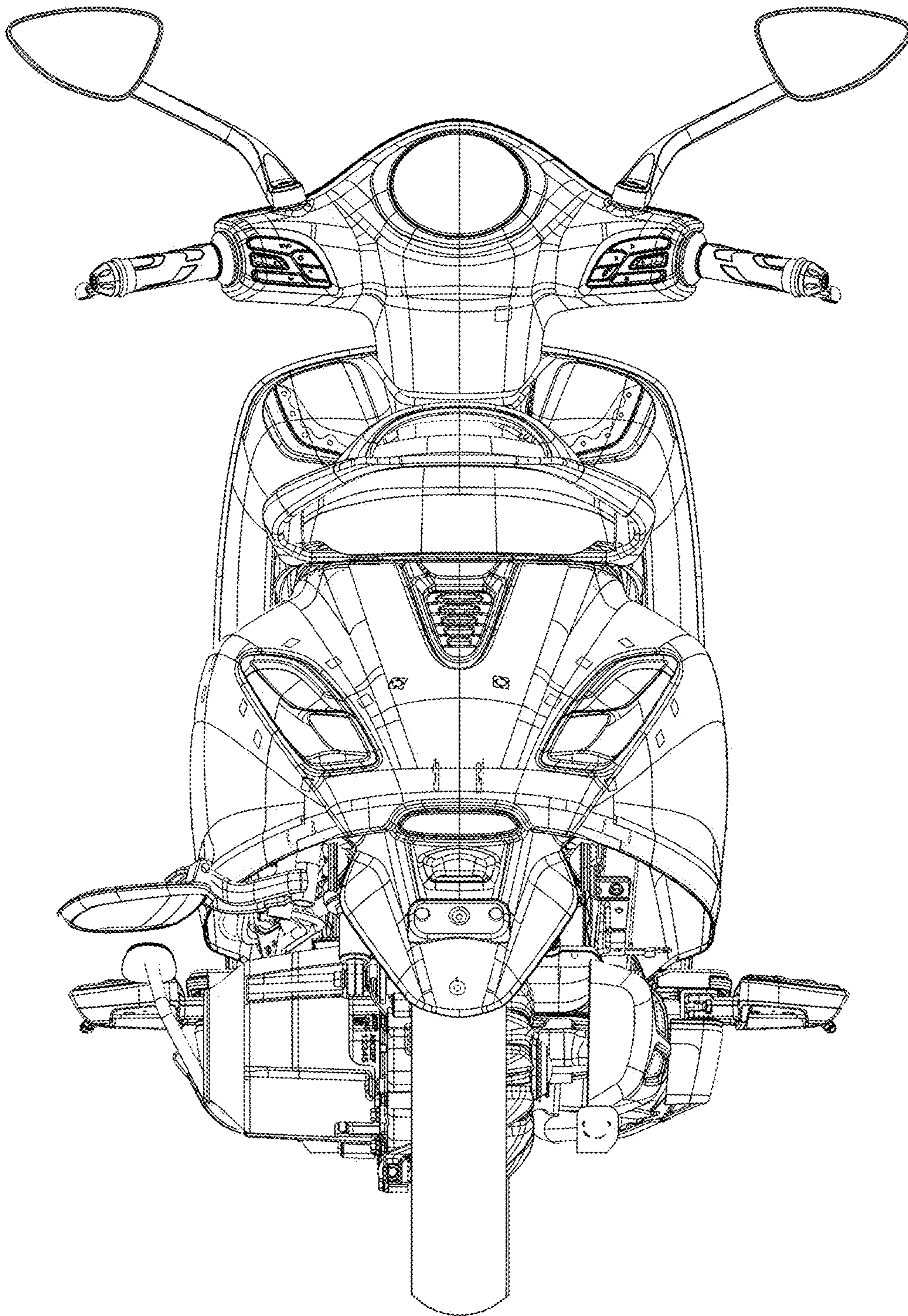


FIG. 5

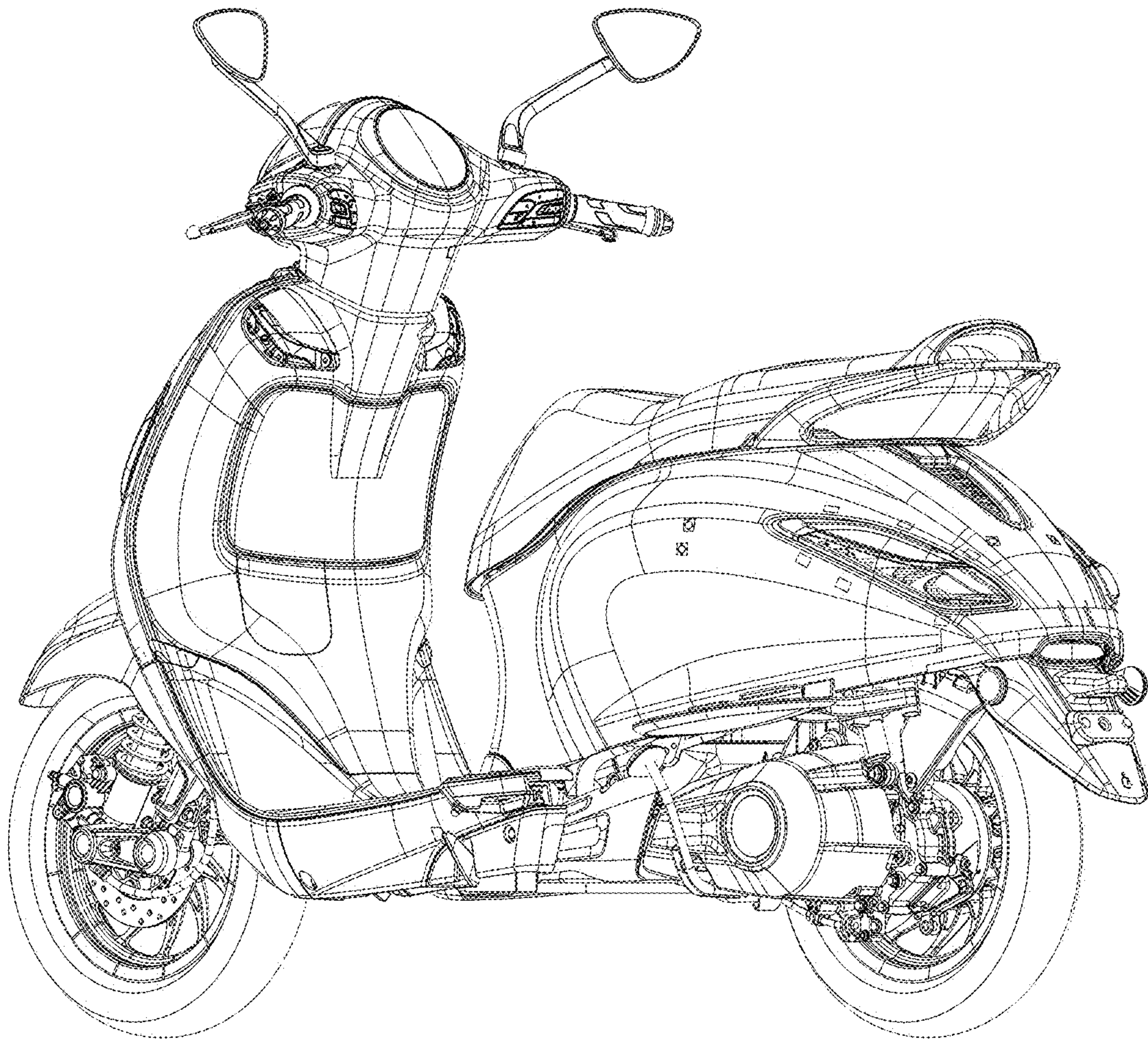


FIG. 6

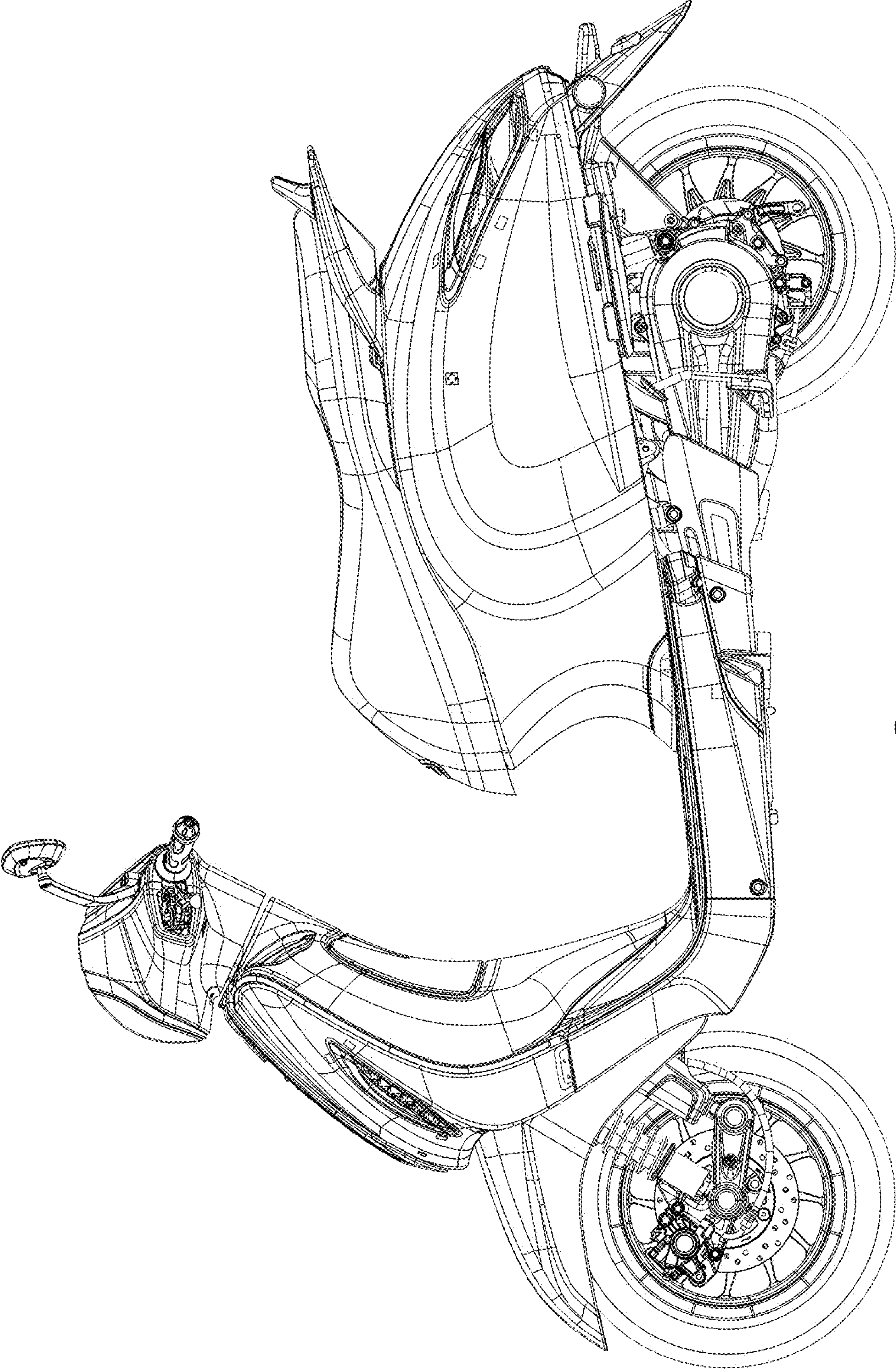


FIG. 7

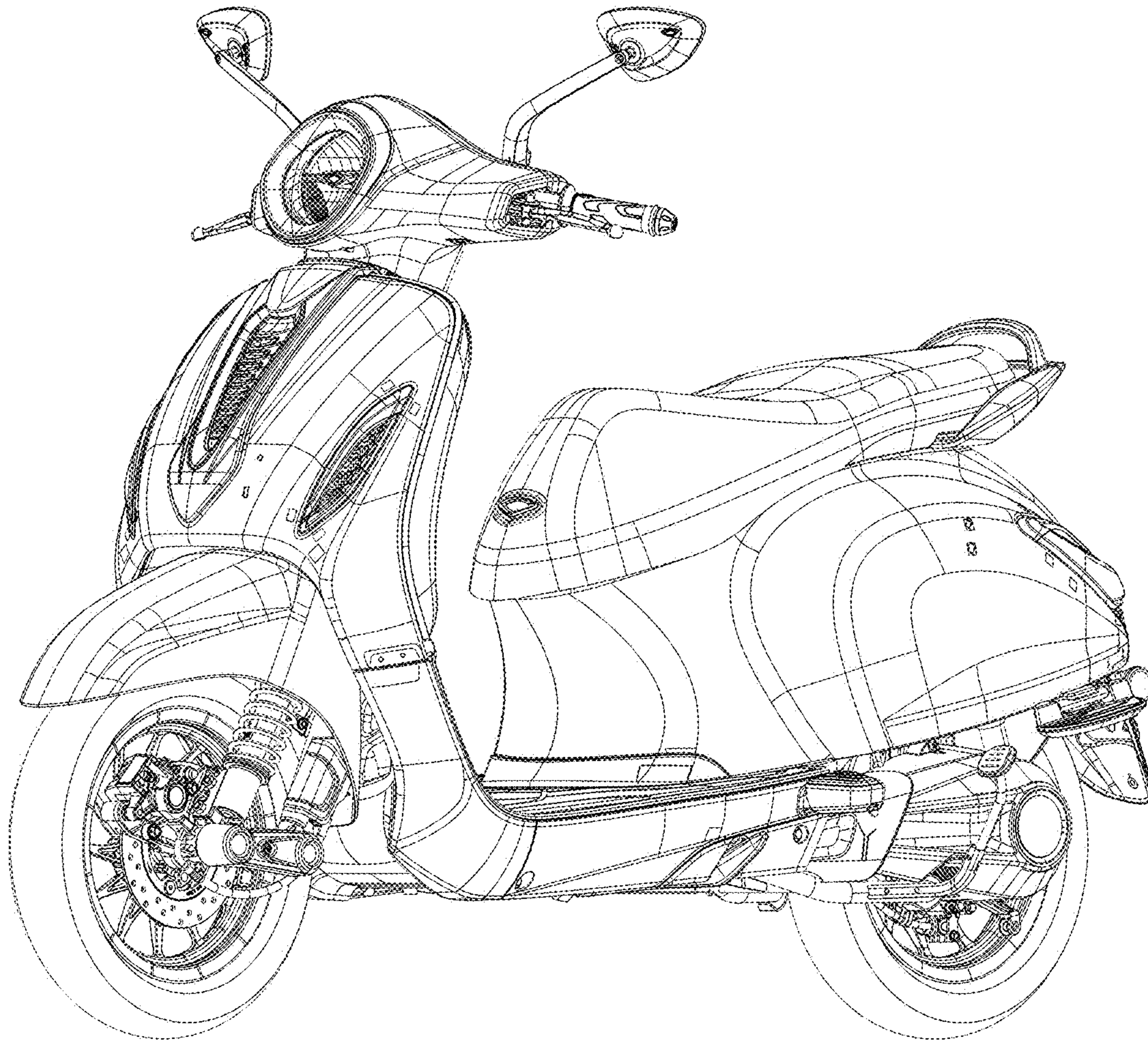


FIG. 8

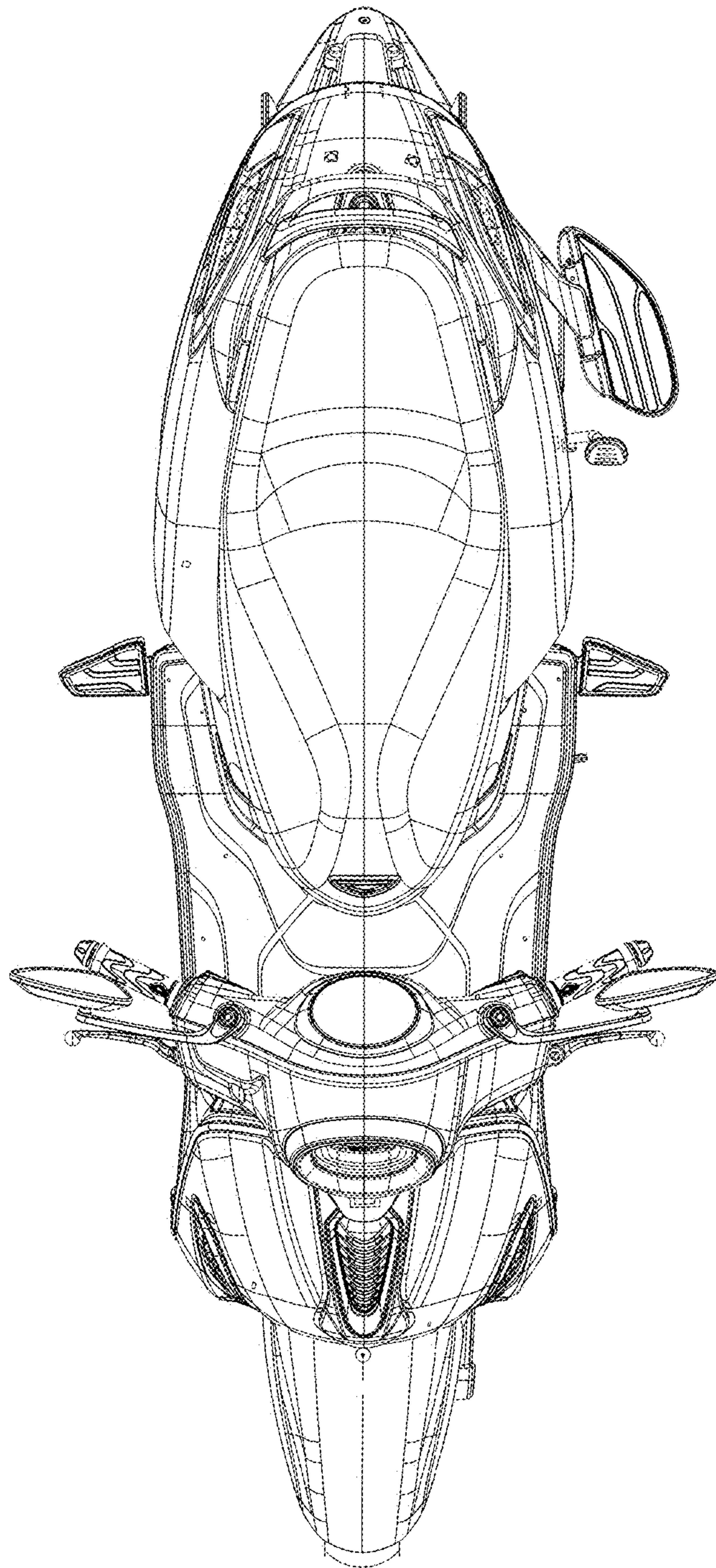


FIG. 9

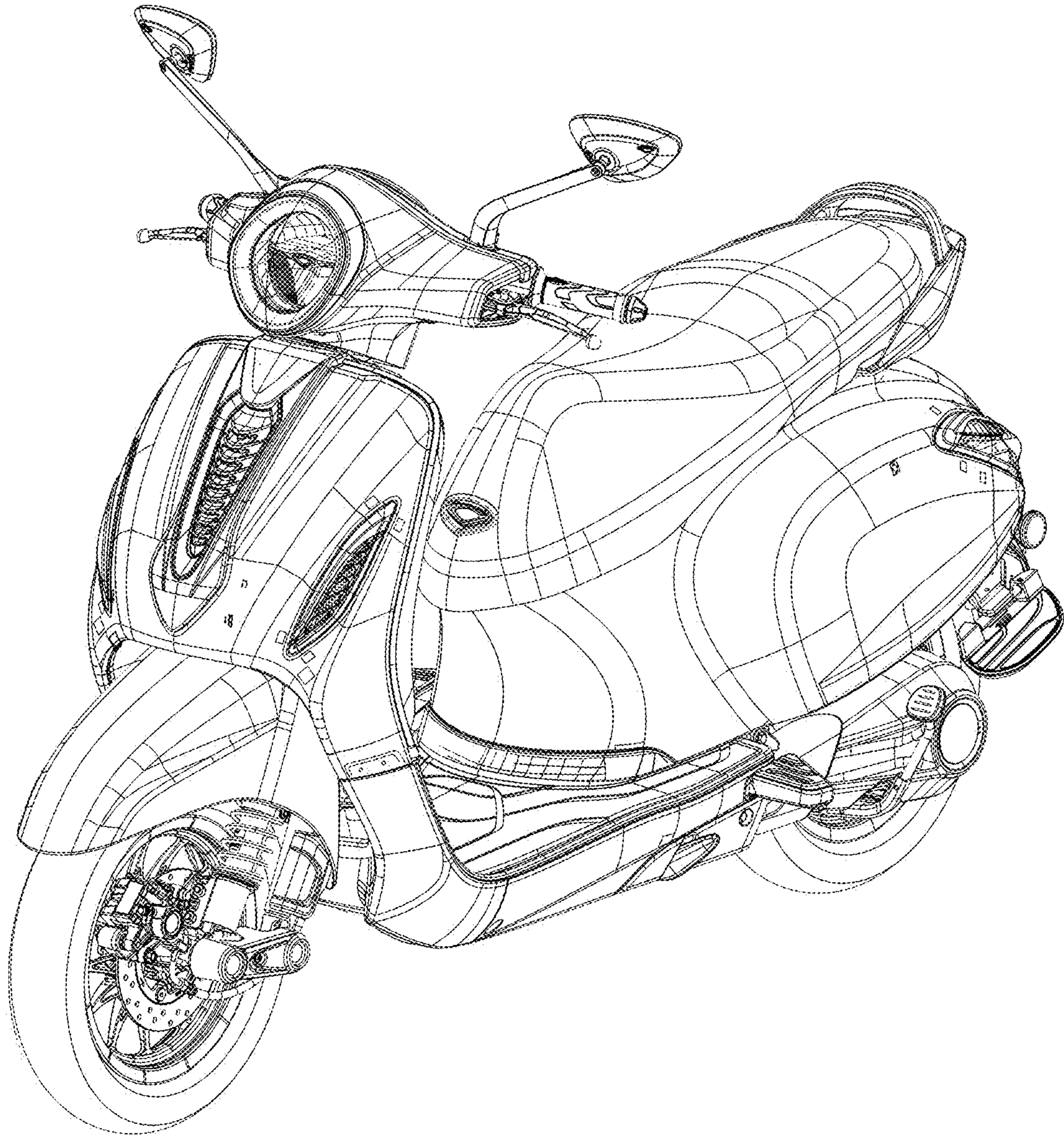


FIG. 10