



US00D954605S

(12) **United States Design Patent**  
**Lou et al.**

(10) **Patent No.:** **US D954,605 S**  
(45) **Date of Patent:** **\*\* Jun. 14, 2022**

(54) **ALL TERRAIN VEHICLE**

OTHER PUBLICATIONS

(71) Applicant: **ZHEJIANG TAOTAO VEHICLES CO., LTD.**, Lishui (CN)  
(72) Inventors: **Guidong Lou**, Lishui (CN); **Hongxia Zhu**, Lishui (CN); **Weihaio Liu**, Lishui (CN)  
(73) Assignee: **ZHEJIANG TAOTAO VEHICLES CO., LTD.**, Lishui (CN)  
(\*\*) Term: **15 Years**

“MUDHAWK 10” AVT Tao Motors., posted date Aug. 13, 2020 [online], [retrieved on Feb. 23, 2022]. Retrieved from the Internet <URL: <https://taomotor.com/products/atvs/mudhawk-10/>> (Year: 2020).\*  
“ATV Tao Motors the Mudhawk 125cc” AVT Tao Motors., posted date Jan. 21, 2021 [online], [retrieved on Feb. 23, 2022]. Retrieved from the Internet <URL: <https://vttlachute.com/en/atv/6479-atv-tao-motors-the-mudhawk-125cc-automatic-for-children.html>> (Year: 2021).\*  
“X-PRO Adult ATV Quad Four Wheelers” X-PRO., posted date Mar. 26, 2019 [online], [retrieved on Feb. 23, 2022]. Retrieved from the Internet <URL: [https://www.amazon.com/X-Pro-Wheelers-Utility-Gloves-Handgrip/dp/B07R8KHXQF/ref=sr\\_1\\_7?keywords=Gas+Quad&qid=1645650539&sr=8-7](https://www.amazon.com/X-Pro-Wheelers-Utility-Gloves-Handgrip/dp/B07R8KHXQF/ref=sr_1_7?keywords=Gas+Quad&qid=1645650539&sr=8-7)> (Year: 2019).\*

(21) Appl. No.: **29/766,084**

\* cited by examiner

(22) Filed: **Jan. 13, 2021**

(30) **Foreign Application Priority Data**

*Primary Examiner* — Darlington Ly

*Assistant Examiner* — Nasim Abdulaziz Ali

Oct. 15, 2020 (CN) ..... 202030613159.7

(74) *Attorney, Agent, or Firm* — Schwegman Lundberg & Woessner, P.A.

(51) **LOC (13) Cl.** ..... **12-11**

(52) **U.S. Cl.**  
USPC ..... **D12/107**

(57) **CLAIM**

(58) **Field of Classification Search**  
USPC ..... D12/3, 86, 87, 107, 110  
CPC ..... B60K 5/12; B60K 13/04; B60K 17/354  
See application file for complete search history.

The ornamental design for an all terrain vehicle, as shown and described.

(56) **References Cited**

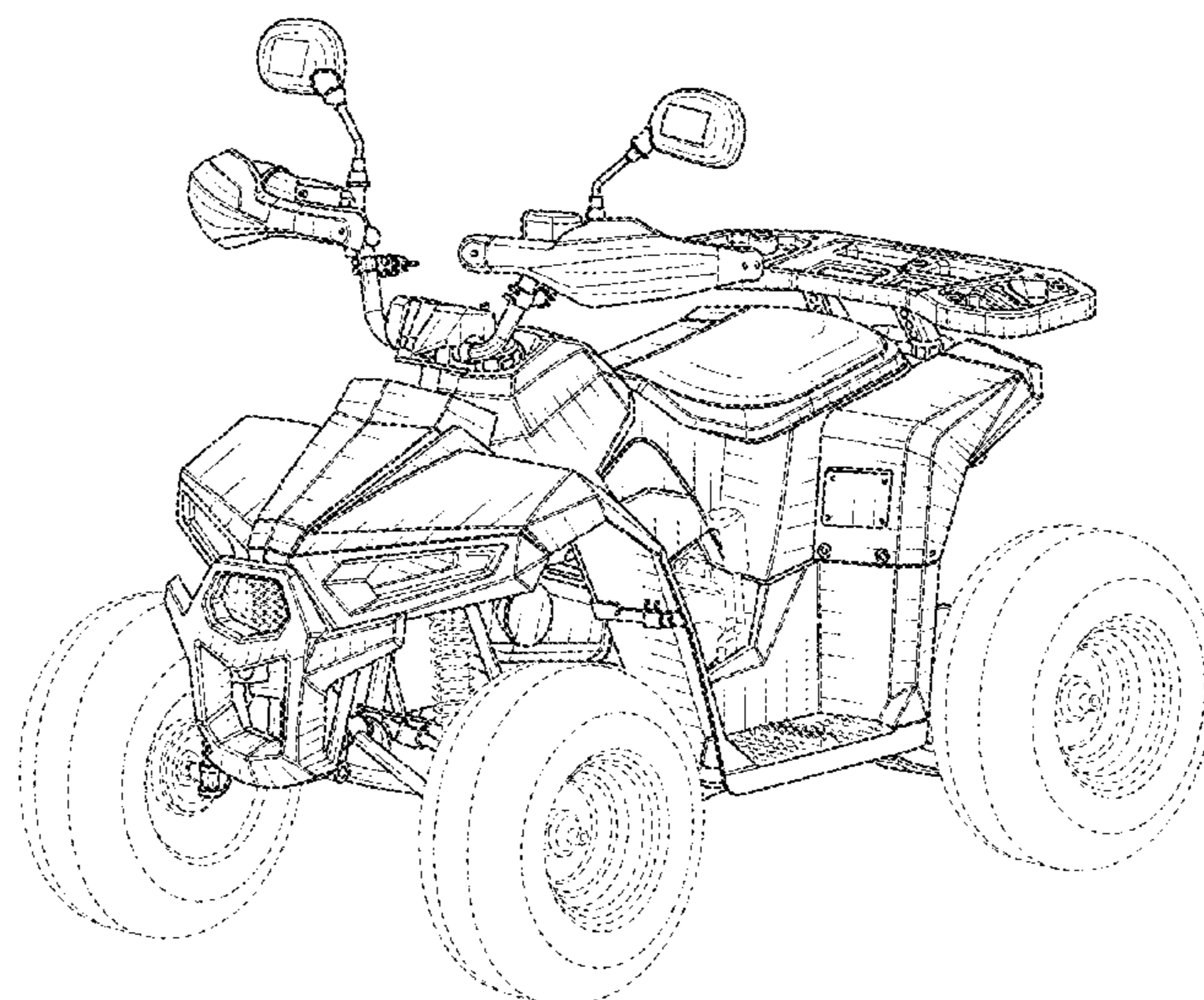
**DESCRIPTION**

U.S. PATENT DOCUMENTS

D593,454 S \* 6/2009 Sanschagrin ..... D12/107  
D643,781 S \* 8/2011 Nagao ..... D12/107  
D657,720 S \* 4/2012 Eck ..... D12/107  
D866,402 S \* 11/2019 Wang ..... D12/107  
10,569,819 B2 \* 2/2020 Lovold ..... B62K 5/007  
D896,706 S \* 9/2020 Lai ..... D12/107  
D904,936 S \* 12/2020 Lou ..... D12/107  
D906,181 S \* 12/2020 Lou ..... D12/107  
D926,636 S \* 8/2021 Lou ..... D12/107  
D936,524 S \* 11/2021 Xie ..... D12/107  
D937,710 S \* 12/2021 Dunn ..... D12/87  
2020/0171942 A1 \* 6/2020 Evans ..... F02D 9/1065

FIG. 1 is a front perspective view of an all terrain vehicle embodying our new design;  
FIG. 2 is a rear perspective view thereof;  
FIG. 3 is a front elevation view thereof;  
FIG. 4 is a rear elevation view thereof;  
FIG. 5 is a left side elevation view thereof;  
FIG. 6 is a right side elevation view thereof; and,  
FIG. 7 is a top plan view thereof.  
The portions of the all terrain vehicle shown in broken lines form no part of the claimed design.

**1 Claim, 7 Drawing Sheets**



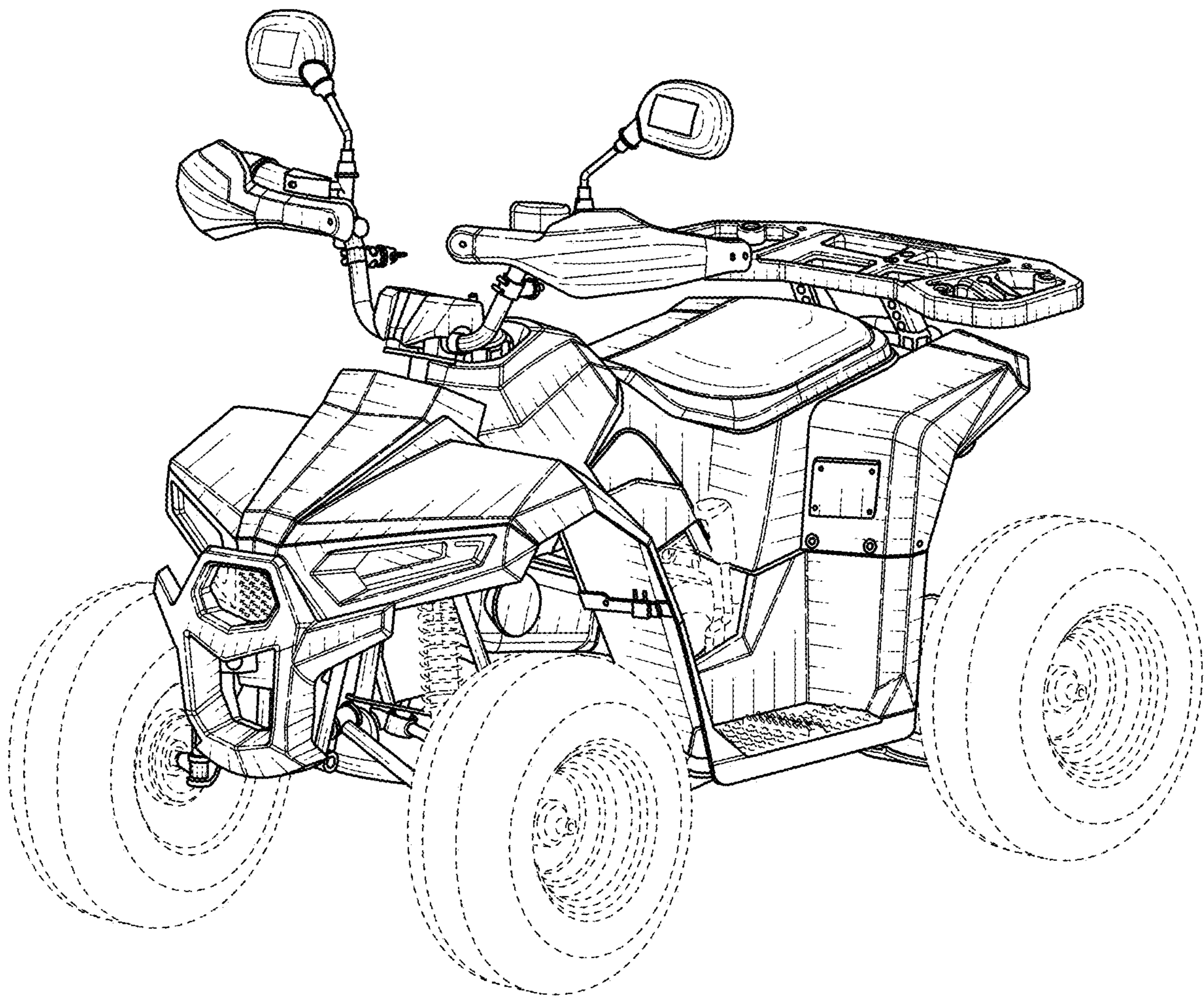


FIG. 1



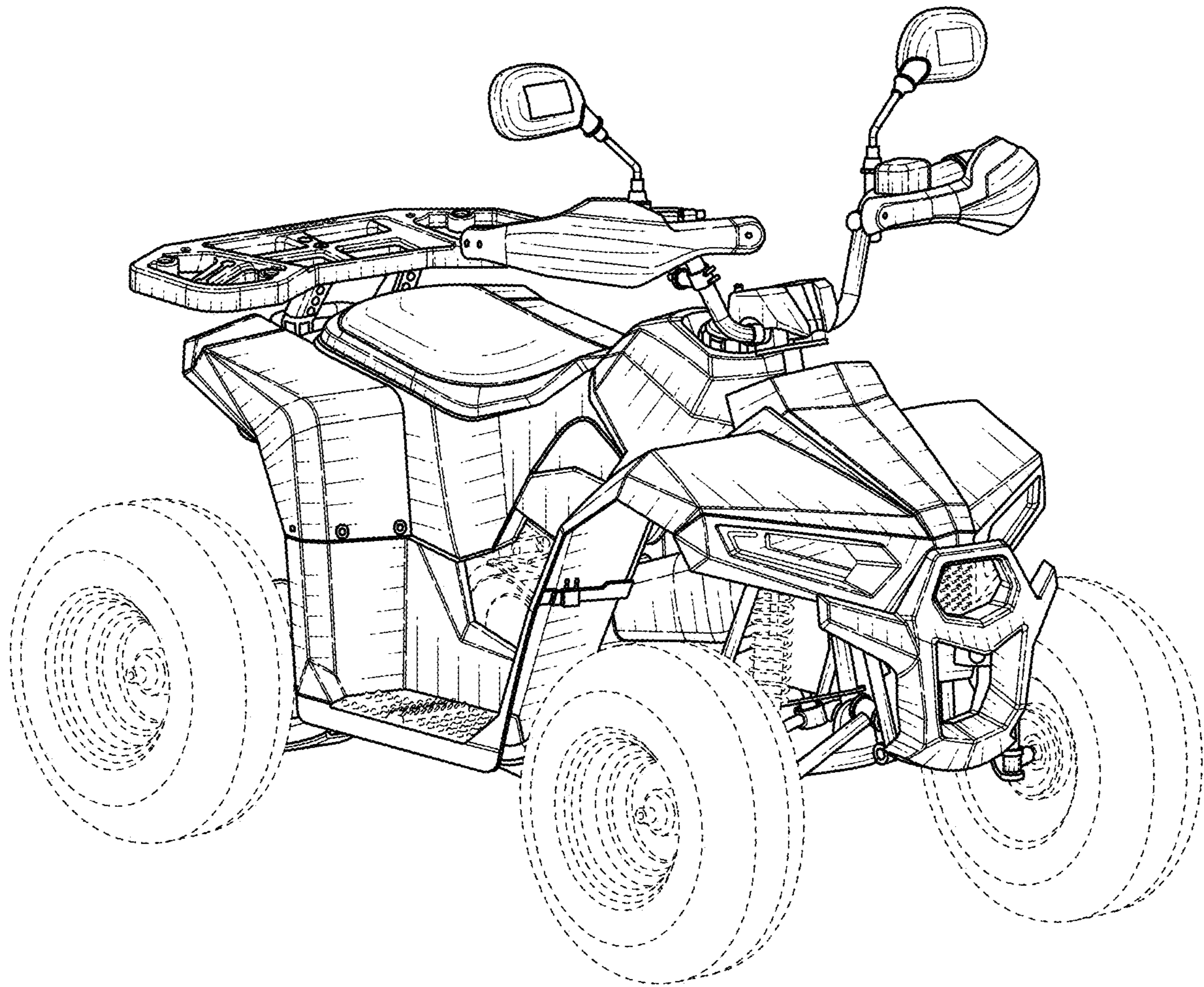


FIG. 2

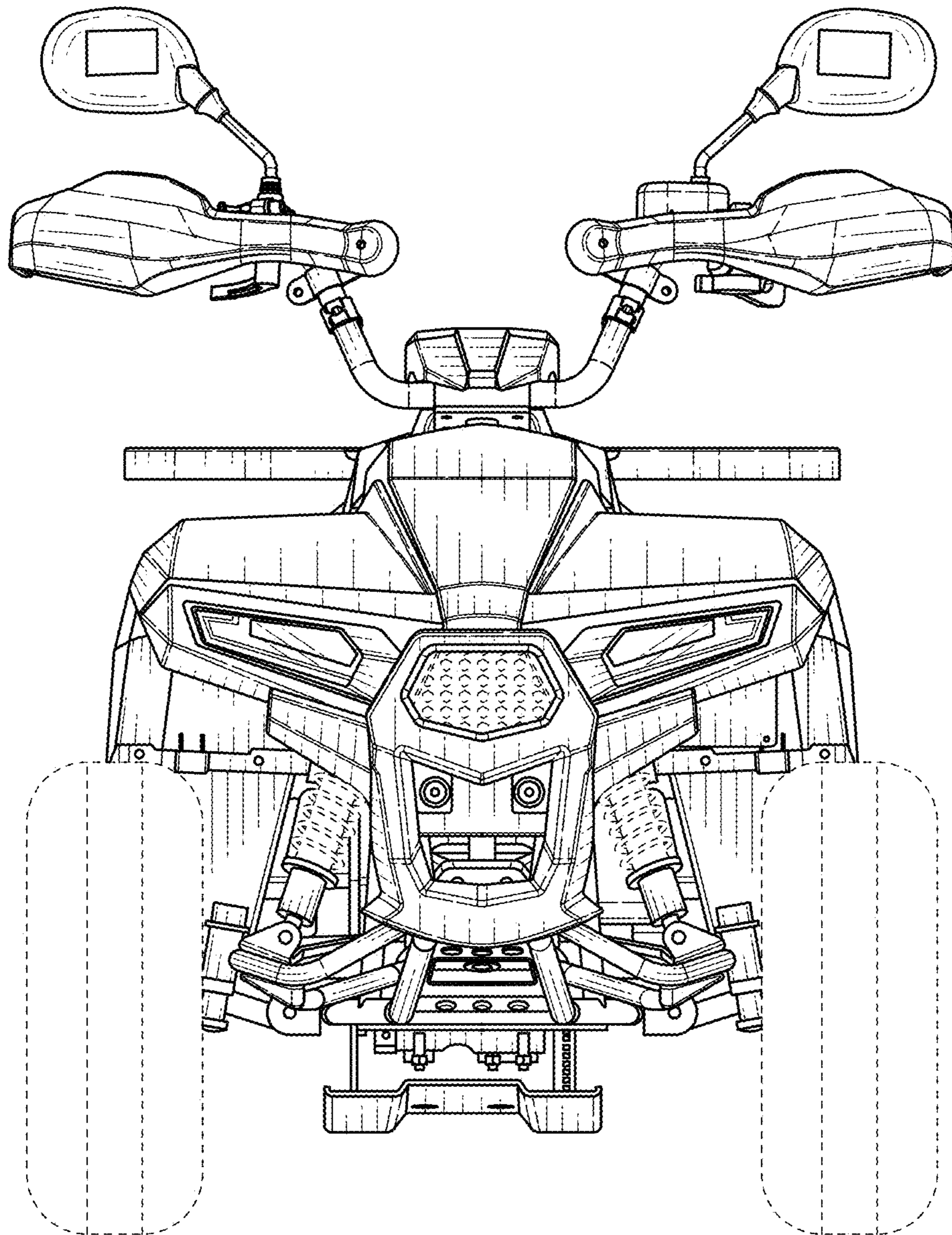


FIG. 3



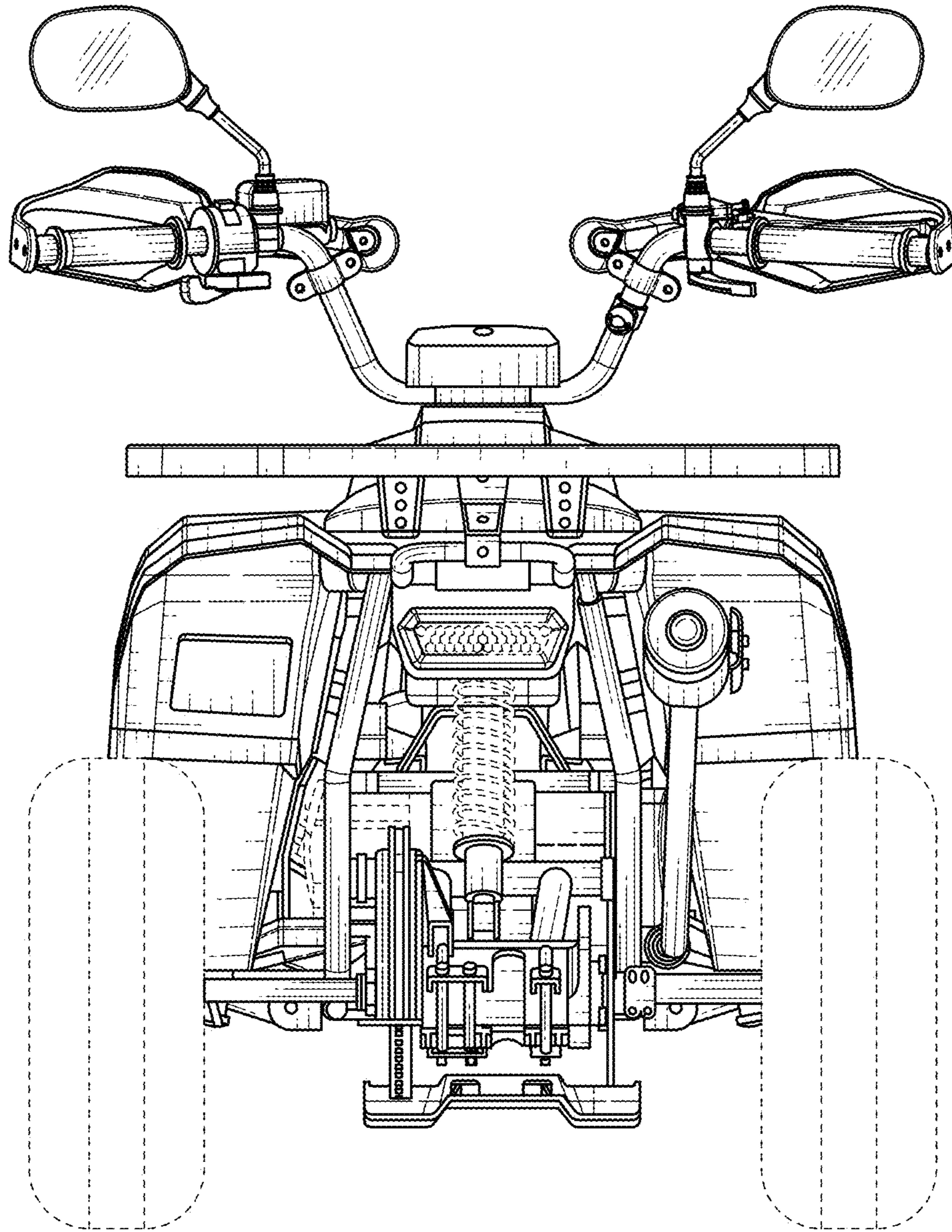


FIG. 4

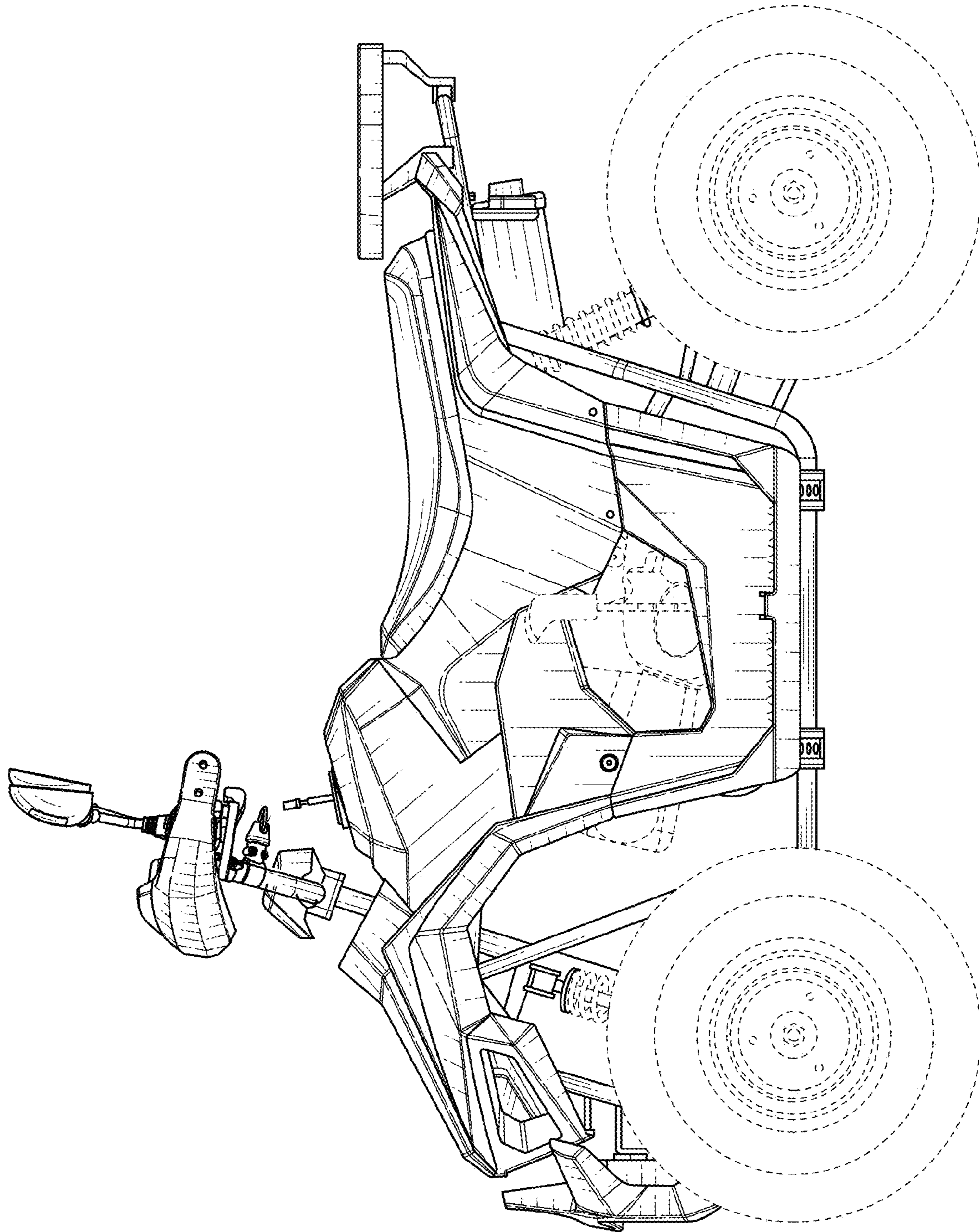


FIG. 5



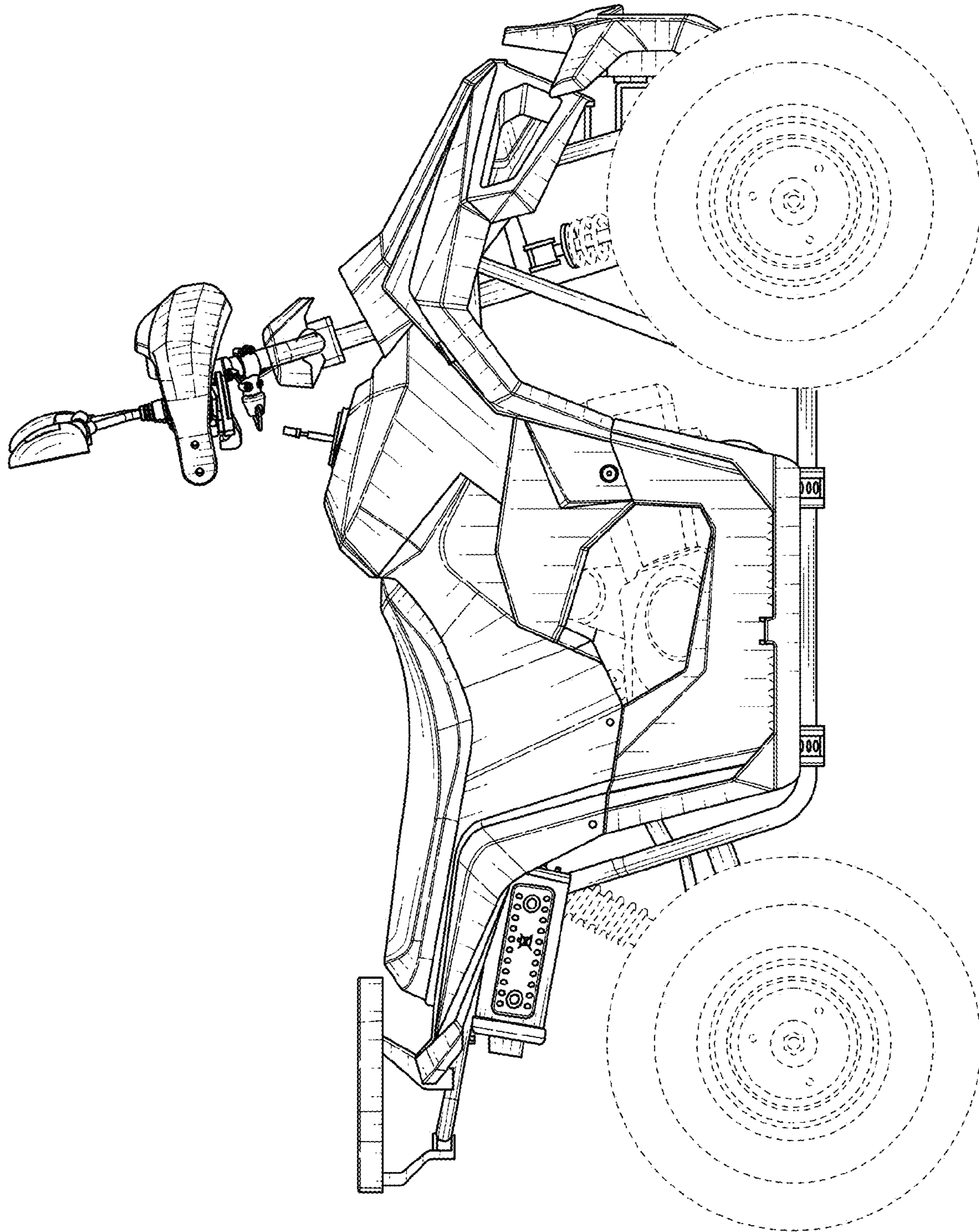


FIG. 6

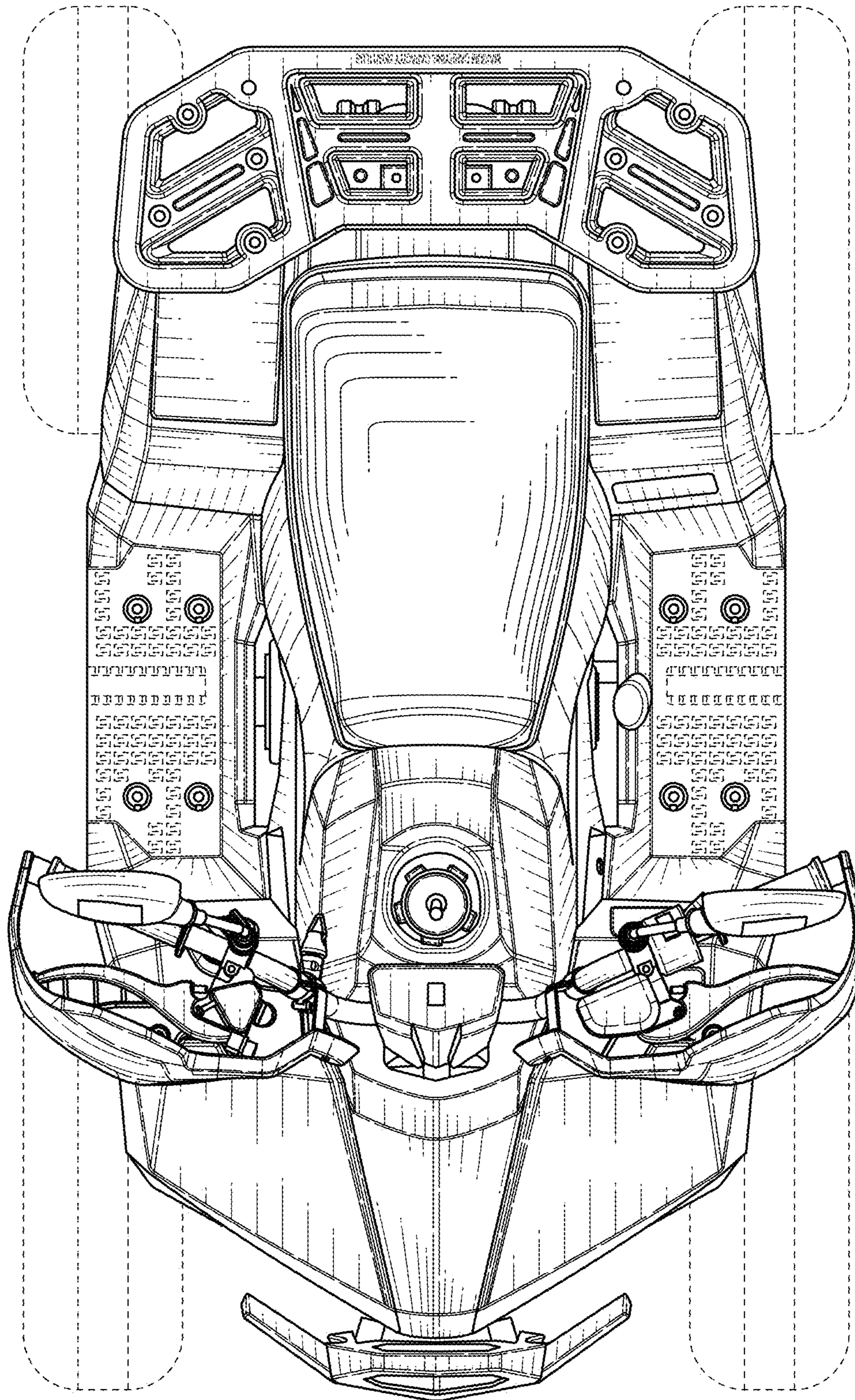


FIG. 7