



US00D954603S

(12) **United States Design Patent**  
**Long**

(10) **Patent No.:** **US D954,603 S**  
(45) **Date of Patent:** **\*\* Jun. 14, 2022**

- (54) **CAMPING TRAILER**
- (71) Applicant: **Jeffrey Alan Long**, Tullahoma, TN (US)
- (72) Inventor: **Jeffrey Alan Long**, Tullahoma, TN (US)
- (\*\*) Term: **15 Years**
- (21) Appl. No.: **29/801,528**
- (22) Filed: **Jul. 29, 2021**
- (51) **LOC (13) Cl.** ..... **12-16**
- (52) **U.S. Cl.**  
USPC ..... **D12/104**
- (58) **Field of Classification Search**  
USPC ..... D12/100–106, 111–112; D21/425, 435;  
D34/21–26, 12, 16–19  
CPC .. B60P 3/38; B60P 3/10; B60P 3/1033; B60P  
3/0257; B60P 3/34; B62D 35/00; B62D  
33/077; B62D 33/0612; B62D 24/04;  
E01F 15/14  
See application file for complete search history.

2019/0225134 A1\* 7/2019 Gault ..... B60P 3/34  
 2020/0391650 A1\* 12/2020 Leishman ..... B60P 3/39  
 2021/0189756 A1\* 6/2021 Newton ..... B60J 7/1278

\* cited by examiner

*Primary Examiner* — Katrina A Betton  
 (74) *Attorney, Agent, or Firm* — Shane Cortesi

(57) **CLAIM**

The ornamental design for a camping trailer, as shown and described.

**DESCRIPTION**

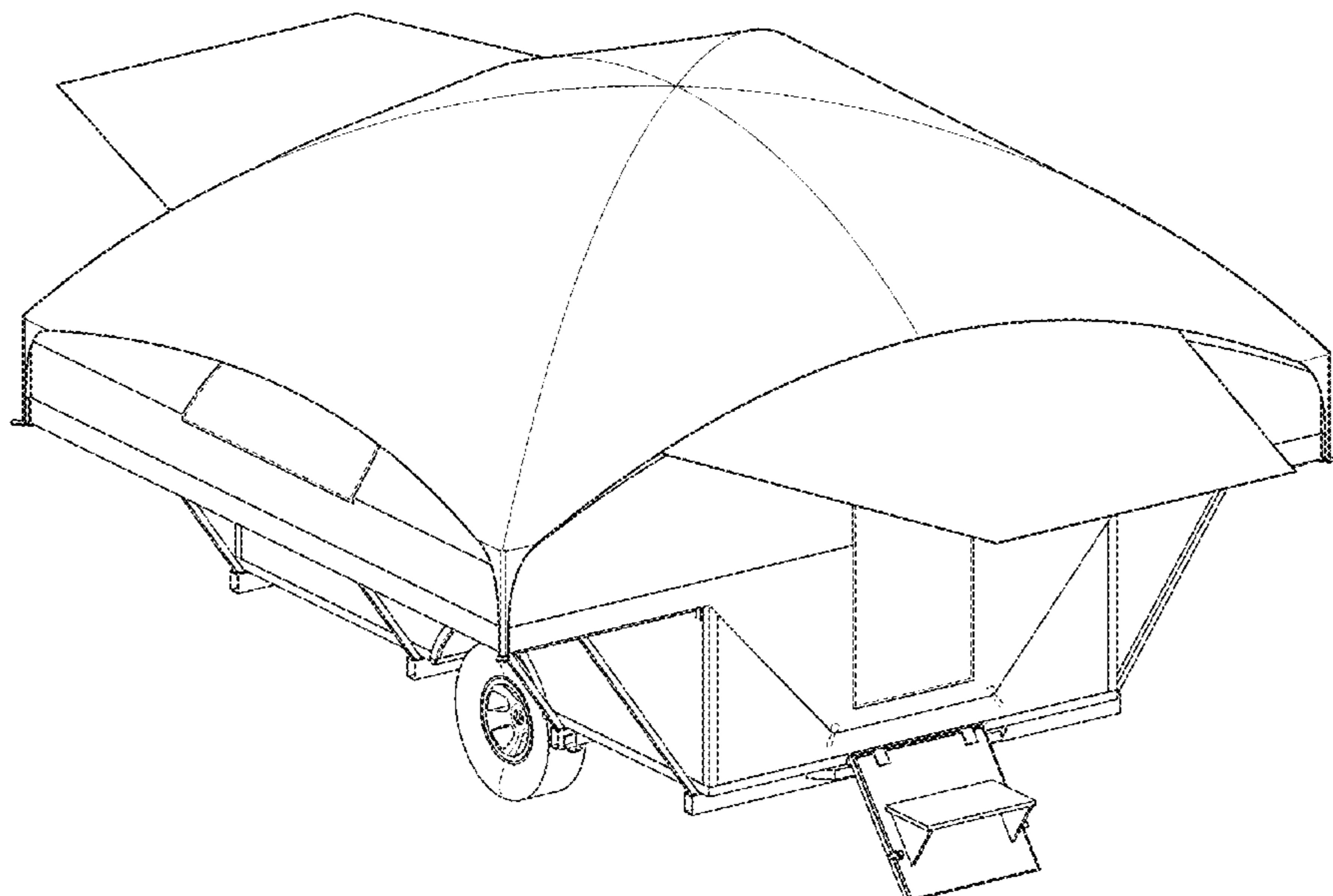
FIG. 1 is a front, left, top perspective view of a camping trailer in an open configuration in accordance with the present invention.  
 FIG. 2 is a rear, right, bottom, perspective view showing the camping trailer of FIG. 1 in the open configuration.  
 FIG. 3 is a front elevation view showing the camping trailer of FIG. 1 in the open configuration.  
 FIG. 4 is a rear elevation view showing the camping trailer of FIG. 1 in the open configuration.  
 FIG. 5 is a left elevation view showing the camping trailer of FIG. 1 in the open configuration, with the right elevation view being a mirror image thereof.  
 FIG. 6 is a top plan view showing the camping trailer of FIG. 1 in the open configuration.  
 FIG. 7 is a bottom plan view showing the camping trailer of FIG. 1 in the open configuration.  
 FIG. 8 is a front, left, top perspective view showing the camping trailer of FIG. 1 in a folded configuration; and,  
 FIG. 9 is a rear, right, top perspective view of the camping trailer of FIG. 1 in the folded configuration.  
 The broken lines shown in the Figures depict environmental subject matter only and are not part of the claimed design.

(56) **References Cited**

**U.S. PATENT DOCUMENTS**

1,650,253	A *	11/1927	Zagelmeyer	.....	B60P 3/341 296/173
1,801,645	A *	4/1931	Sherman	.....	B60P 3/32 296/172
3,830,541	A *	8/1974	Bowman	.....	B60P 3/34 52/64
D357,649	S *	4/1995	Neyer	.....	D12/104
D406,800	S *	3/1999	Nece	.....	D12/104
6,488,329	B1 *	12/2002	Smith	.....	B60J 7/1621 296/100.07
D737,726	S *	9/2015	Austin	.....	D12/104
2013/0154212	A1 *	6/2013	Vandergon	.....	B60P 3/341 280/491.1
2017/0136935	A1 *	5/2017	Nelsen	.....	B60P 3/341

**1 Claim, 8 Drawing Sheets**



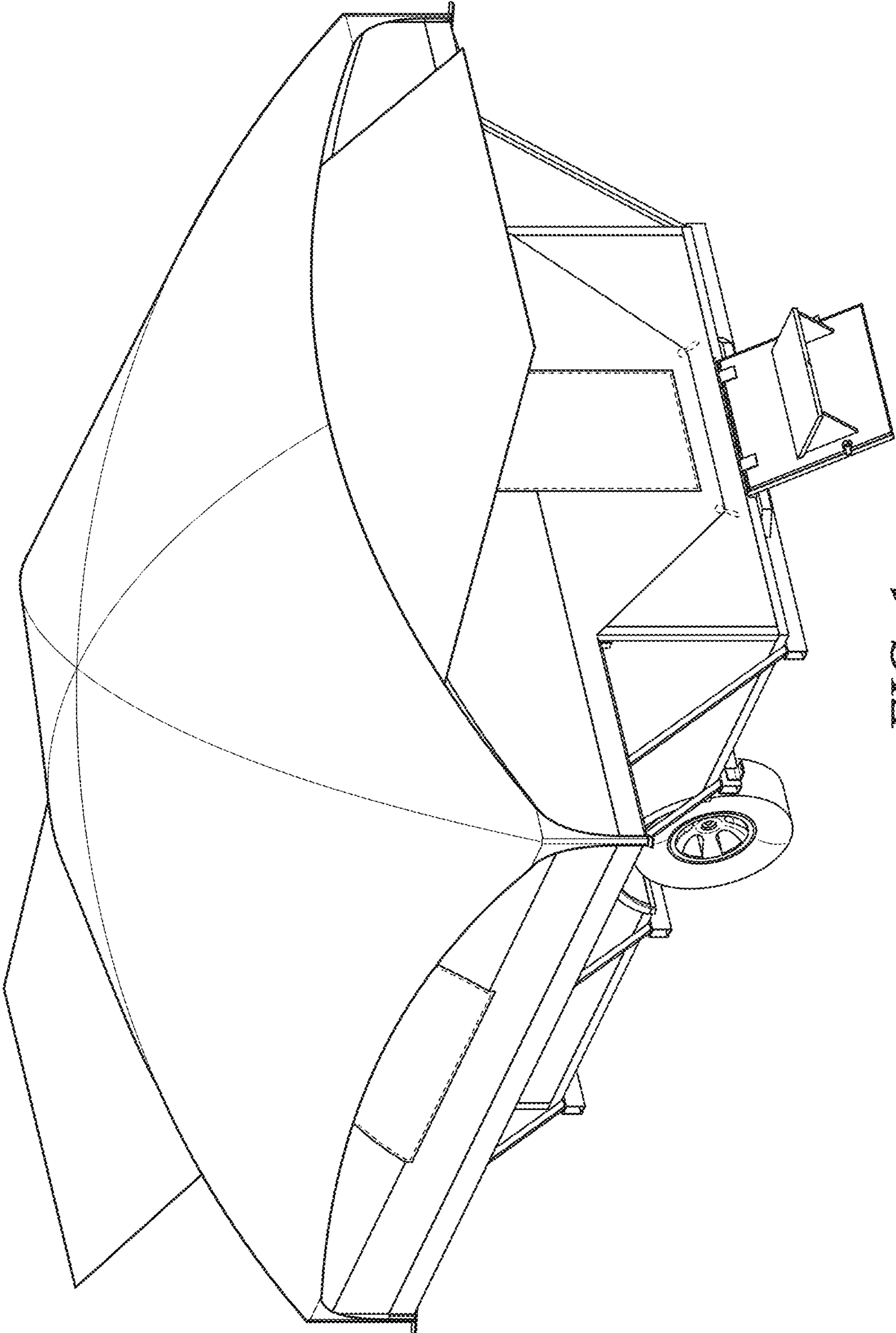


FIG. 1

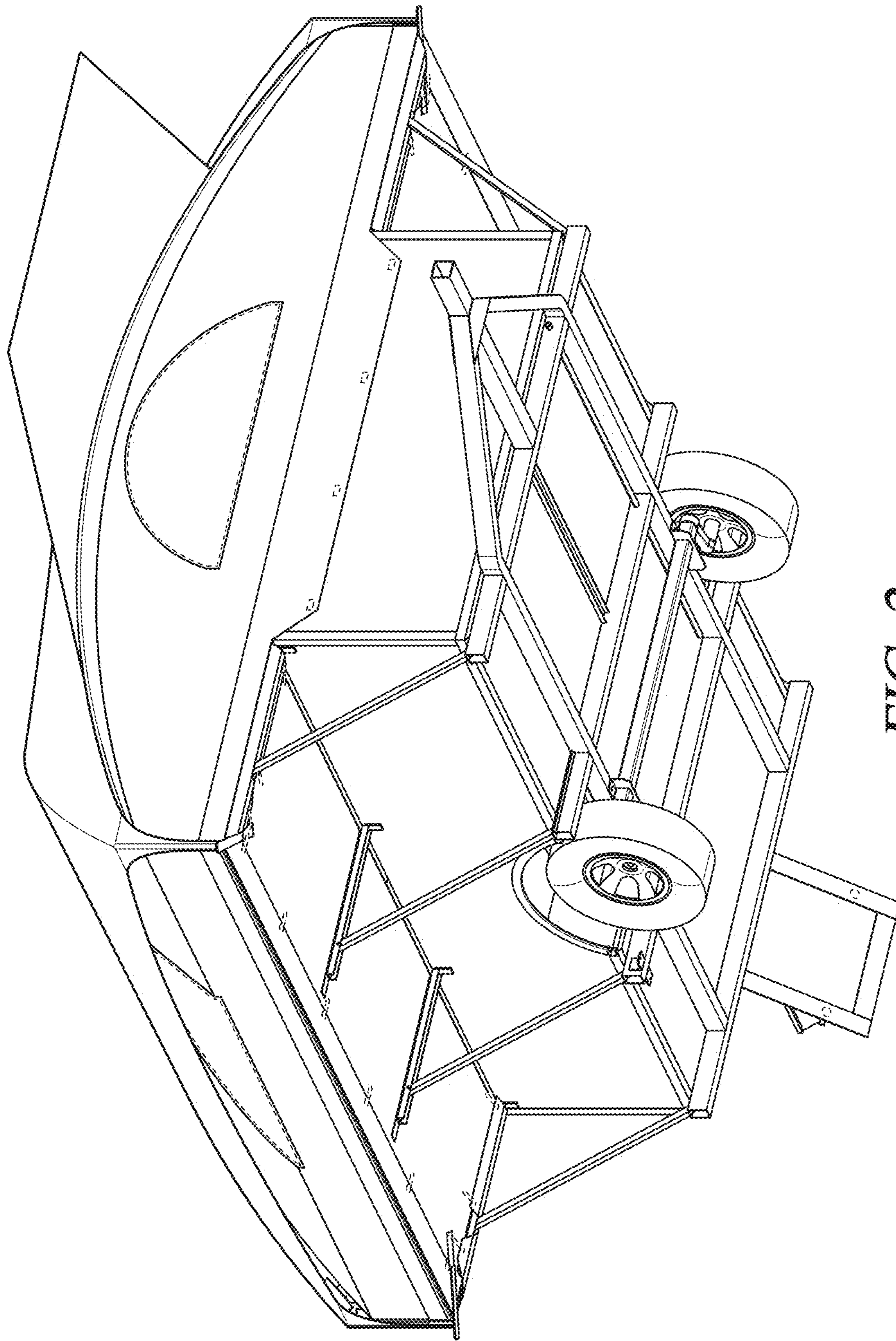
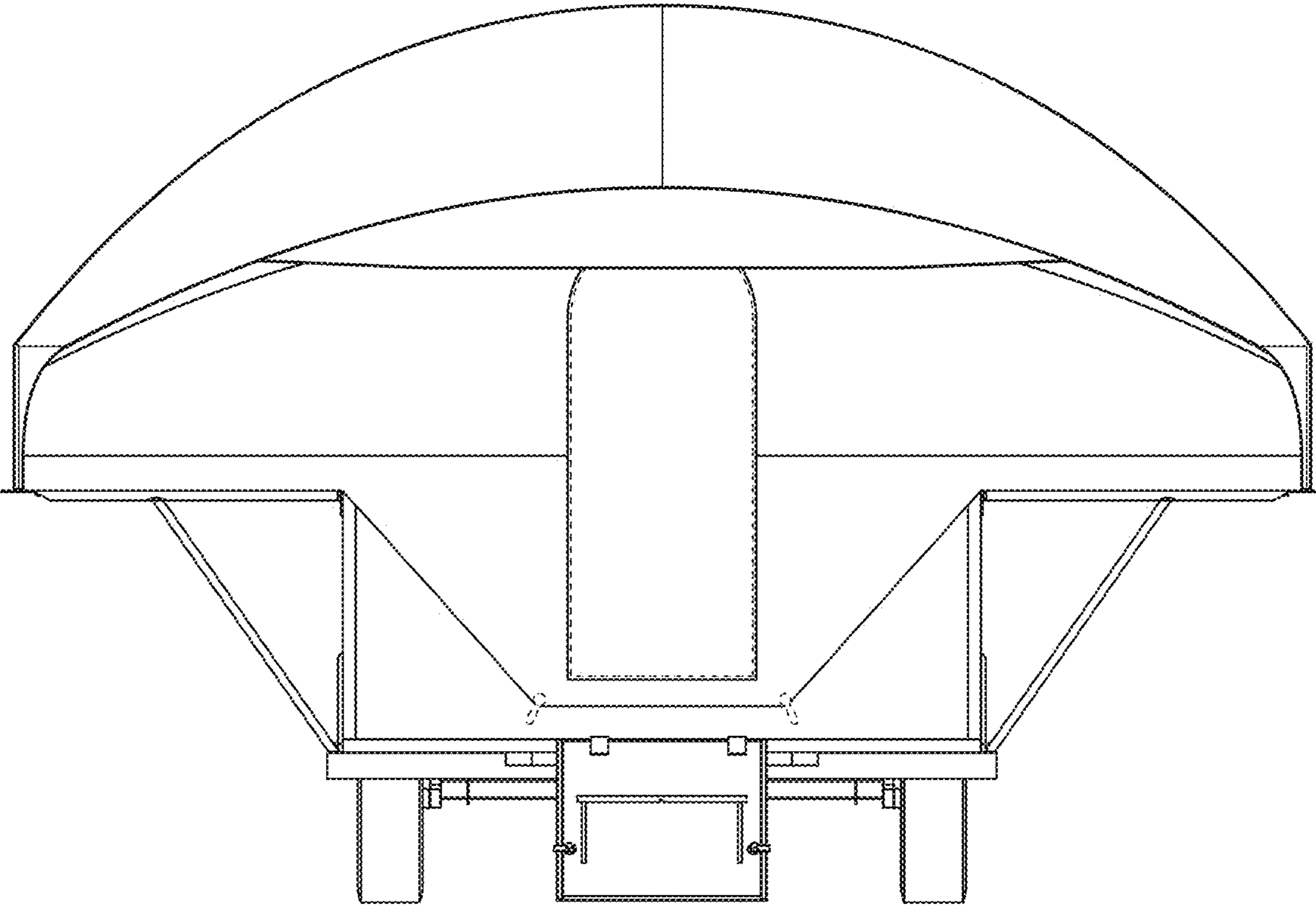
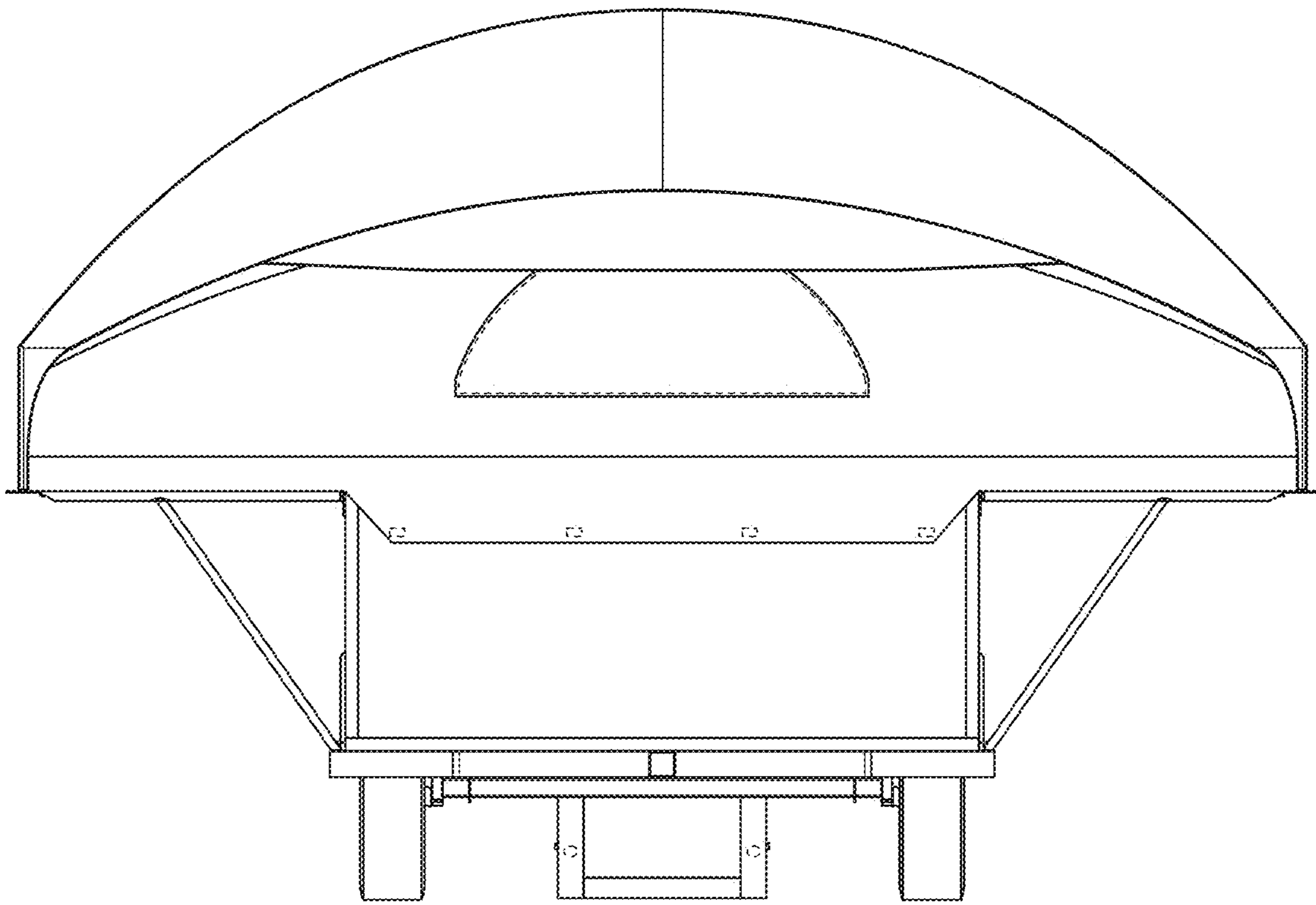


FIG. 2





*FIG. 3*



*FIG. 4*

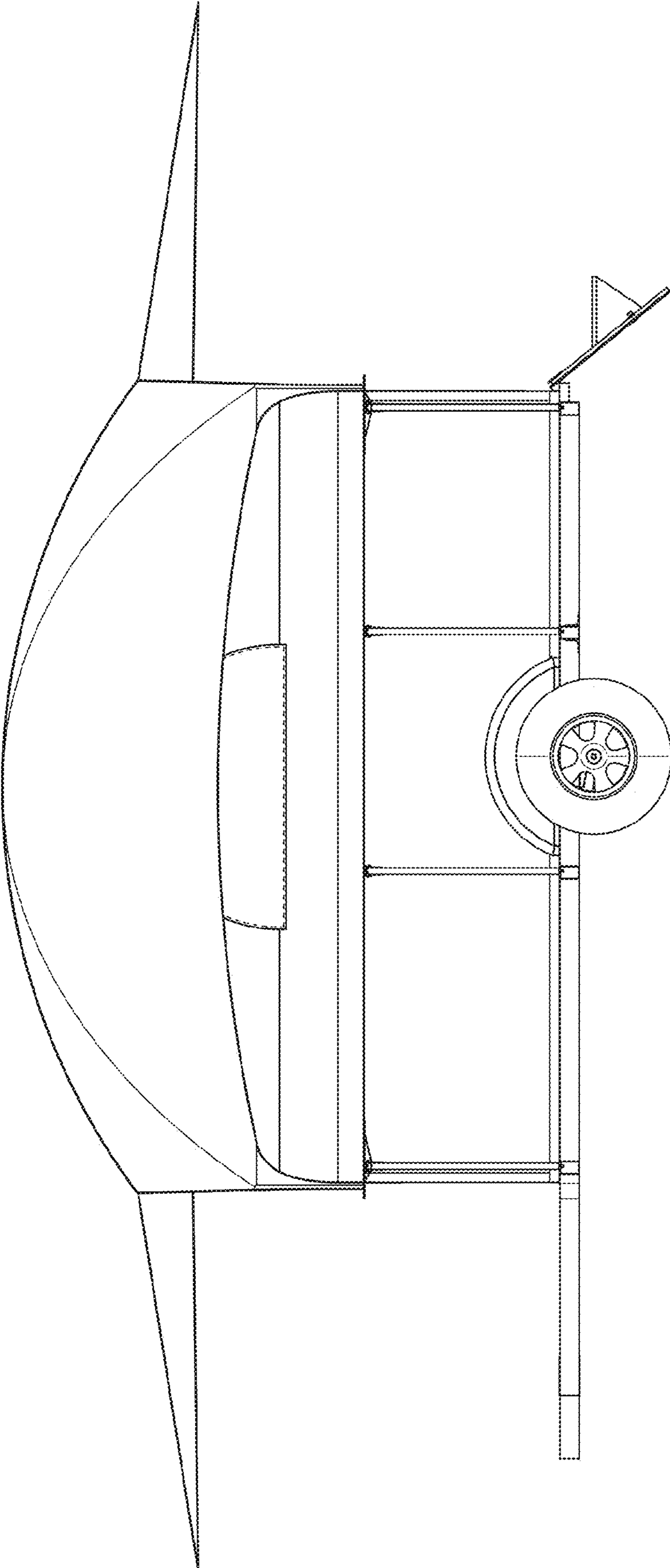
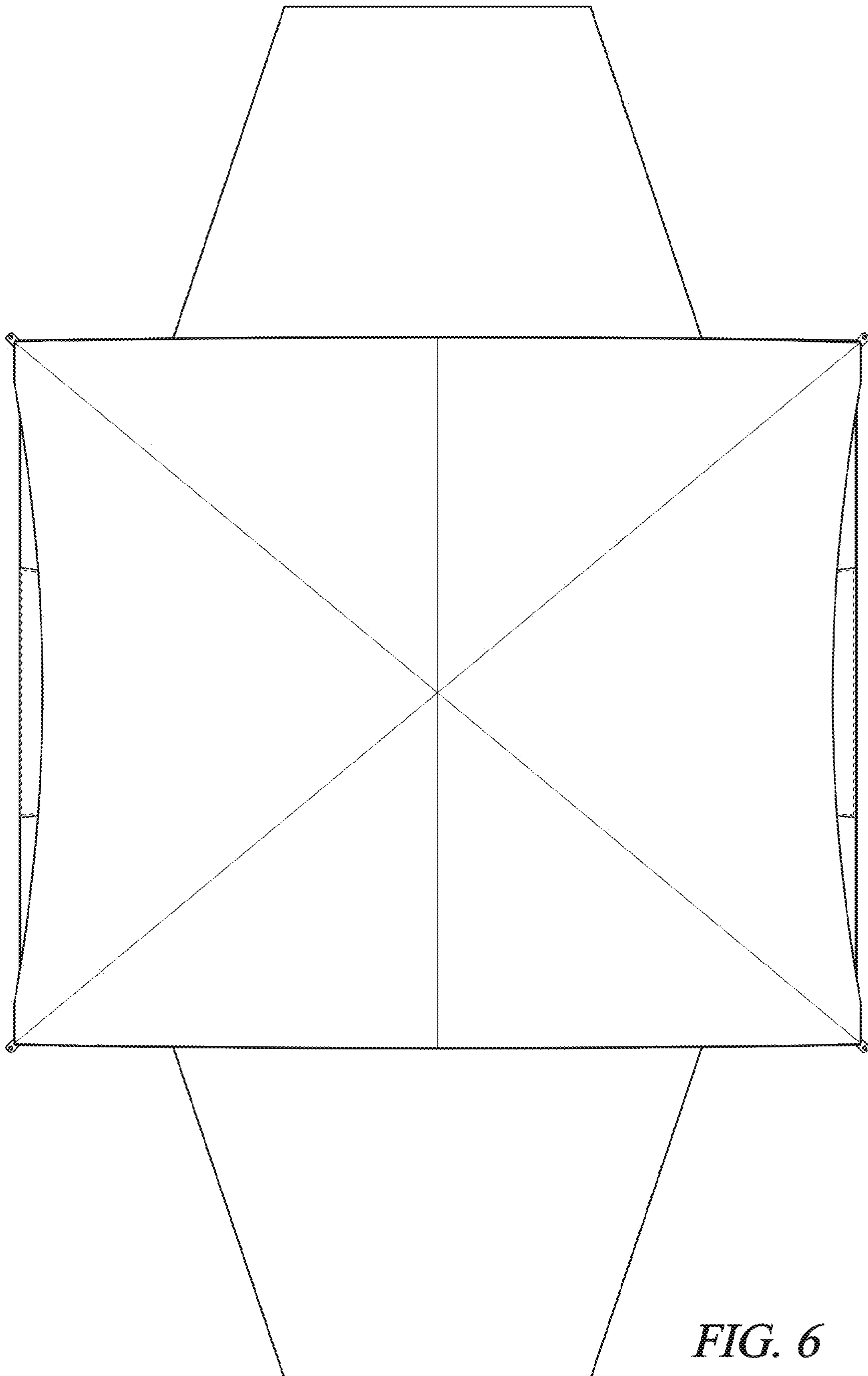


FIG. 5



*FIG. 6*

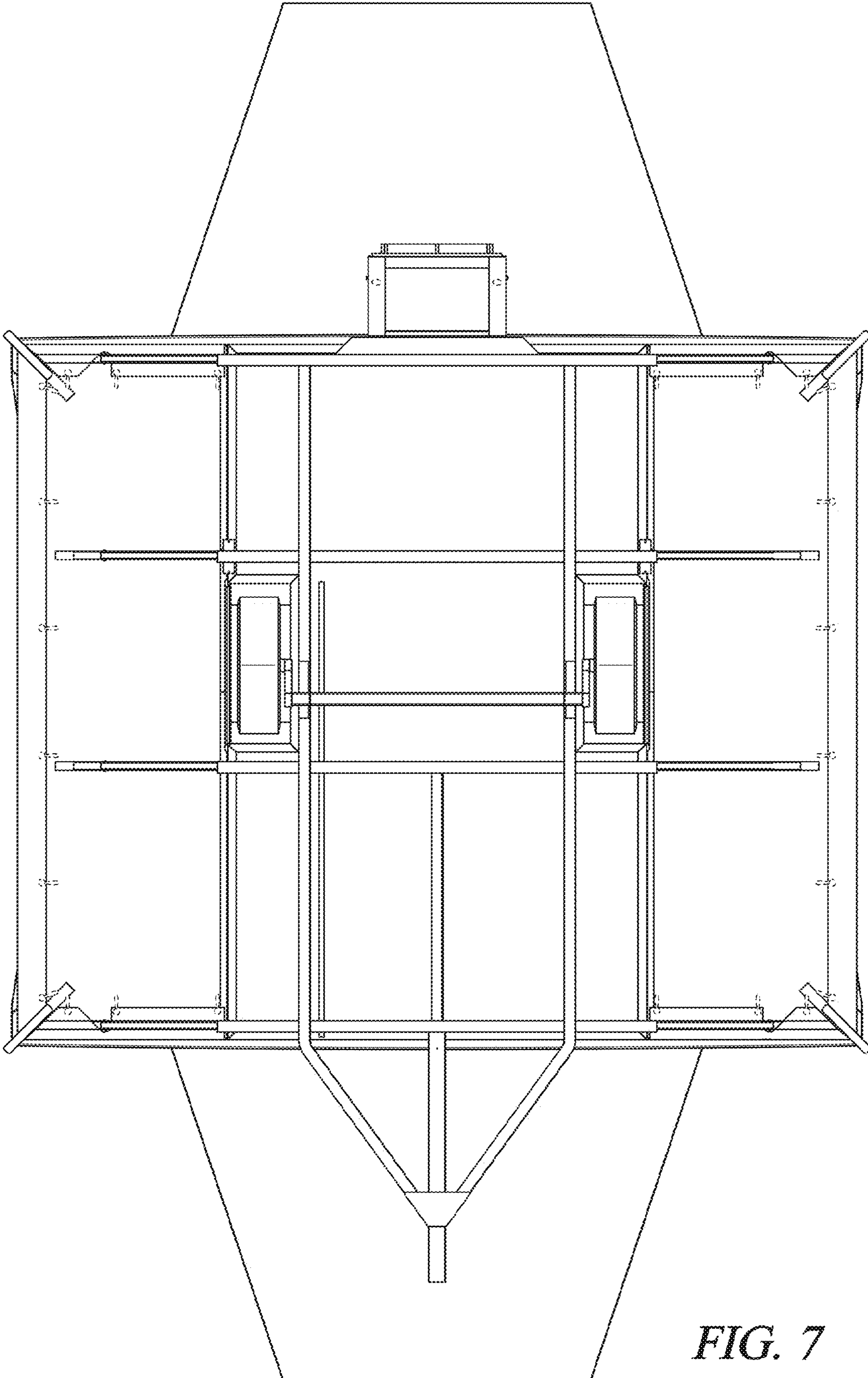
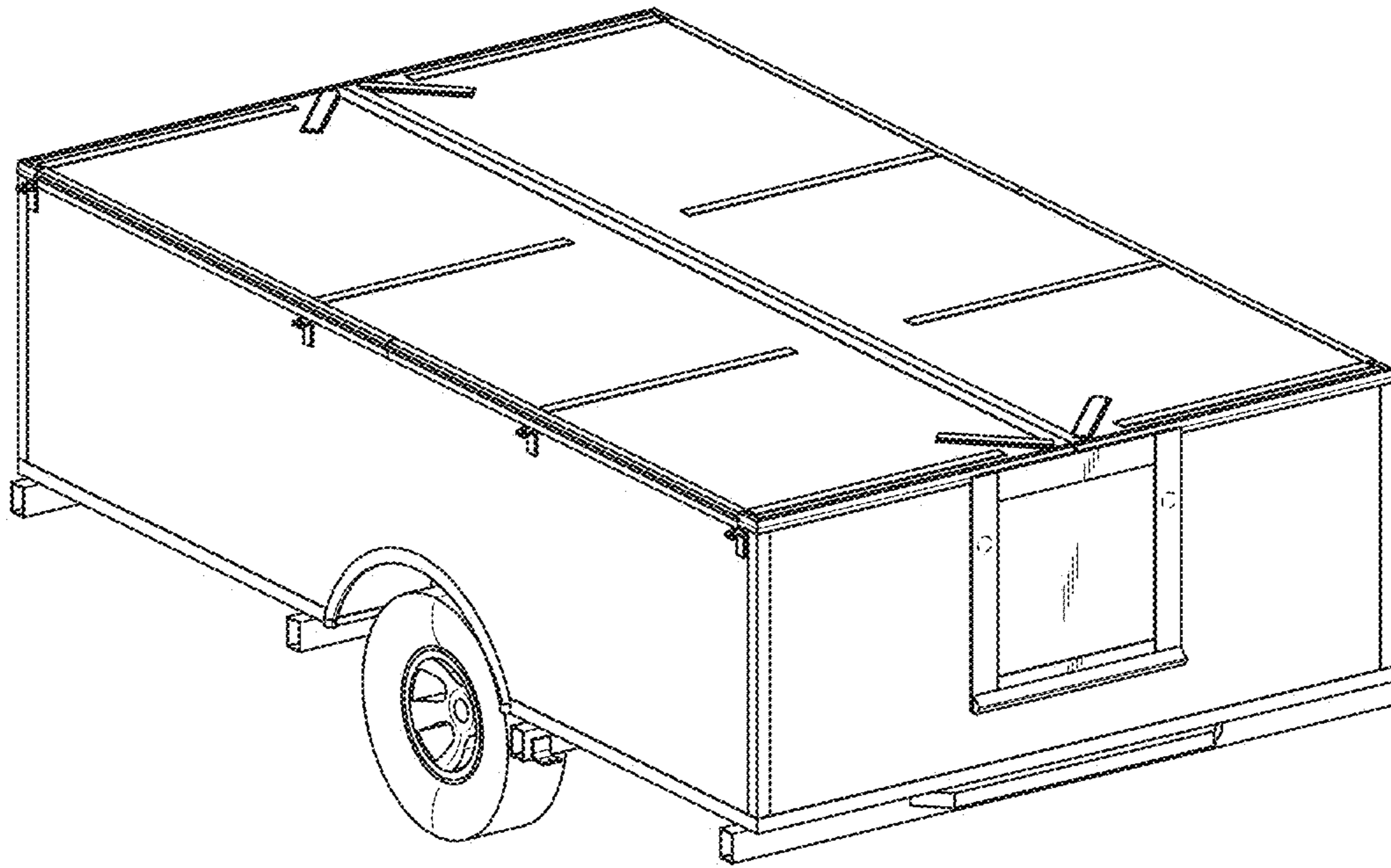
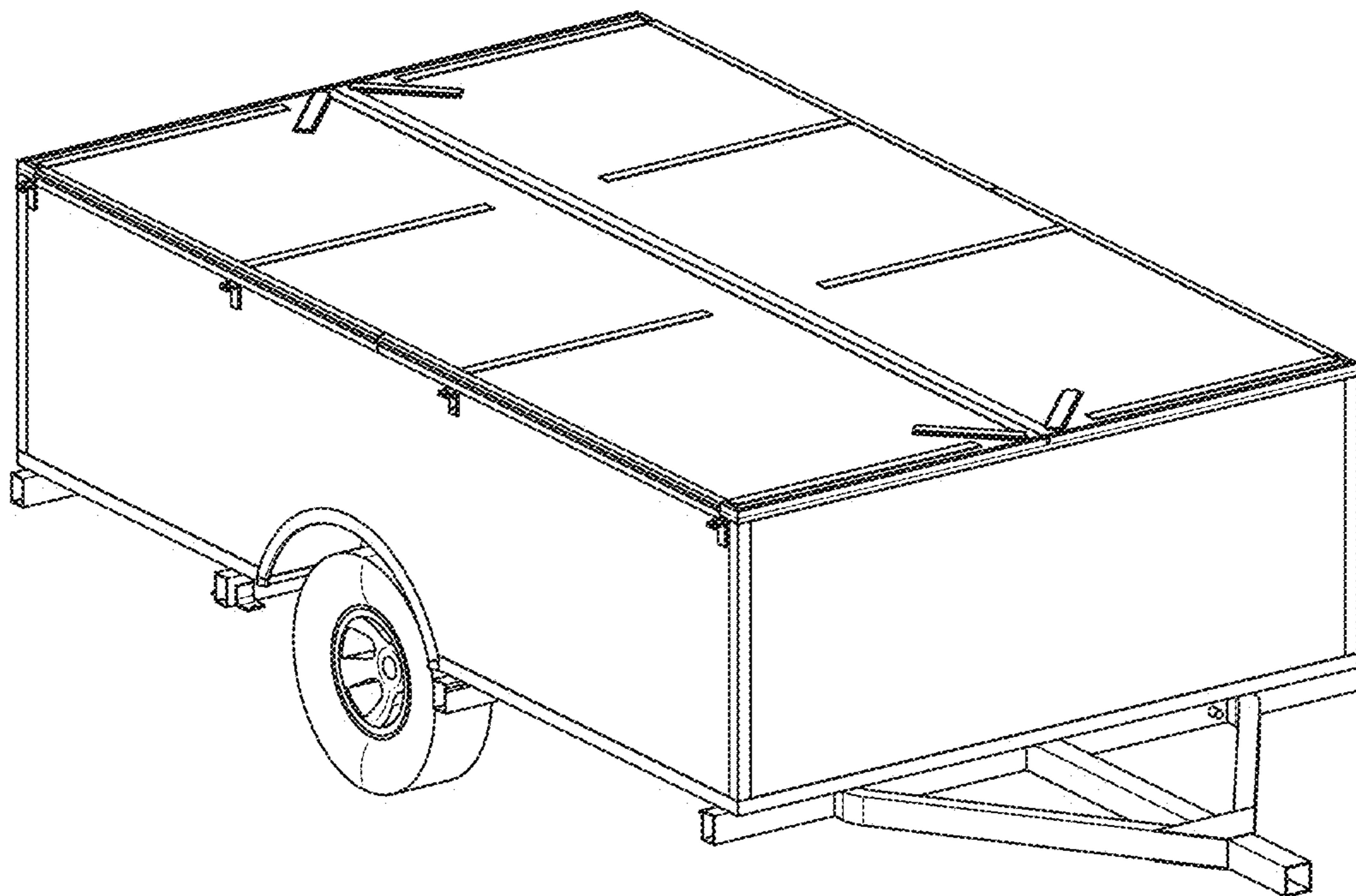


FIG. 7





*FIG. 8*



*FIG. 9*