



US00D954602S

(12) **United States Design Patent**  
**Malachowski et al.**

(10) **Patent No.:** **US D954,602 S**  
(45) **Date of Patent:** **\*\* Jun. 14, 2022**

(54) **AUTOMOBILE EXTERIOR BODY**

(71) Applicants: **Nicholas A. Malachowski**, Bloomfield Hills, MI (US); **Eugenio Sellaro-Neto**, Detroit, MI (US); **Matthew W. Dunford**, Clawson, MI (US); **Alexander Tannen**, Detroit, MI (US); **Chris Piscitelli**, West Bloomfield, MI (US); **Jeffrey C. Gale**, Rochester, MI (US); **Mark D. Hall**, Rochester Hills, MI (US); **Mark T. Allen**, Oxford, MI (US)

(72) Inventors: **Nicholas A. Malachowski**, Bloomfield Hills, MI (US); **Eugenio Sellaro-Neto**, Detroit, MI (US); **Matthew W. Dunford**, Clawson, MI (US); **Alexander Tannen**, Detroit, MI (US); **Chris Piscitelli**, West Bloomfield, MI (US); **Jeffrey C. Gale**, Rochester, MI (US); **Mark D. Hall**, Rochester Hills, MI (US); **Mark T. Allen**, Oxford, MI (US)

(73) Assignee: **FCA US LLC**, Auburn Hills, MI (US)

(\*\*) Term: **15 Years**

(21) Appl. No.: **29/764,840**

(22) Filed: **Jan. 4, 2021**

(51) **LOC (13) Cl.** ..... **12-08**

(52) **U.S. Cl.**  
USPC ..... **D12/91**

(58) **Field of Classification Search**  
USPC ..... D12/86, 90-92, 88; D21/424, 433, 434, D21/533; 296/181.1-181.5, 183.1  
CPC ..... B62D 25/00; B62D 25/06; B62D 33/00; B62D 35/00  
See application file for complete search history.

(56) **References Cited**

U.S. PATENT DOCUMENTS

D420,939 S *	2/2000	Faurote	.....	D12/91
D500,460 S *	1/2005	Allen	.....	D12/91
D534,097 S *	12/2006	Renkert	.....	D12/91
D551,124 S *	9/2007	Aneiros	.....	D12/92
D650,721 S *	12/2011	Galante	.....	D12/91
D693,737 S *	11/2013	Hammoud	.....	D12/91
D703,583 S *	4/2014	Howell	.....	D12/91
D711,784 S *	8/2014	Galante	.....	D12/91
D723,425 S *	3/2015	Glover	.....	D12/91
D728,425 S *	5/2015	Glover	.....	D12/91
D761,695 S *	7/2016	Faghihzadeh	.....	D12/92
D801,861 S *	11/2017	Hubers	.....	D12/91
D805,956 S *	12/2017	Galante	.....	D12/91
D817,816 S *	5/2018	Hoste	.....	D12/91
D823,722 S *	7/2018	Hoste	.....	D12/91
D847,025 S *	4/2019	Zavatski	.....	D12/91
D860,863 S *	9/2019	Jonason	.....	D12/91
D865,565 S *	11/2019	Hubers	.....	D12/91

(Continued)

*Primary Examiner* — Melody N Brown

(74) *Attorney, Agent, or Firm* — Ralph E. Smith

(57) **CLAIM**

The ornamental design for an automobile exterior body, as shown and described.

**DESCRIPTION**

FIG. 1 is a front perspective view of an automobile exterior body showing our new design;

FIG. 2 is a rear perspective view thereof;

FIG. 3 is a front view thereof;

FIG. 4 is a rear view thereof;

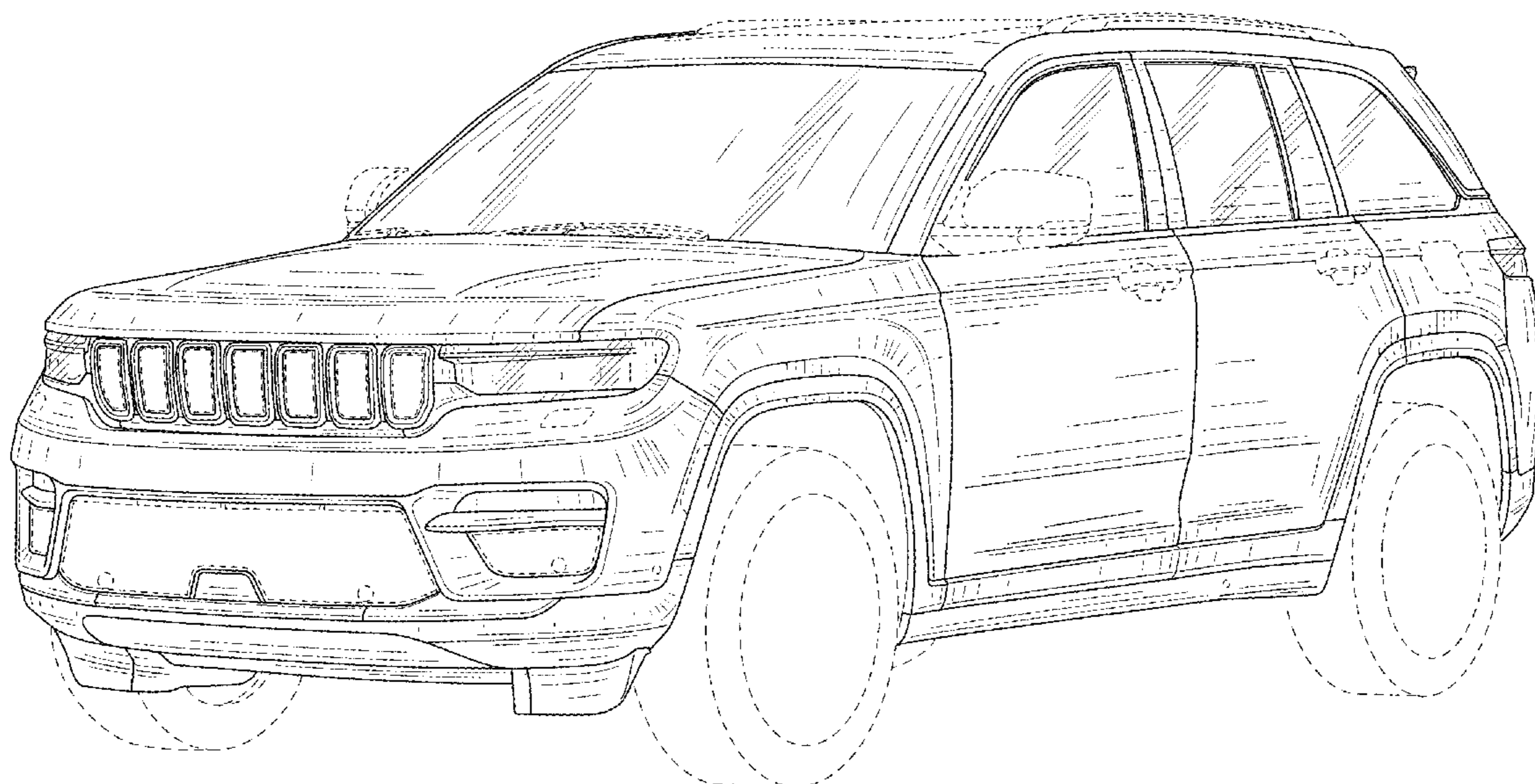
FIG. 5 is a left side view thereof;

FIG. 6 is a right side view thereof; and,

FIG. 7 is a top plan view.

It will be understood that the broken lines shown in the drawings illustrate portions of the automobile exterior body that form no part of the claimed design.

**1 Claim, 6 Drawing Sheets**



(56)

**References Cited**

U.S. PATENT DOCUMENTS

D865,566	S	*	11/2019	Jonason	.....	D12/91
D935,938	S	*	11/2021	Langhals	.....	D12/91
D935,939	S	*	11/2021	Langhals	.....	D12/91
D935,940	S	*	11/2021	Langhals	.....	D12/91
D936,518	S	*	11/2021	Langhals	.....	D12/91
D940,004	S	*	1/2022	Stone	.....	D12/91
D940,591	S	*	1/2022	Stone	.....	D12/91

\* cited by examiner

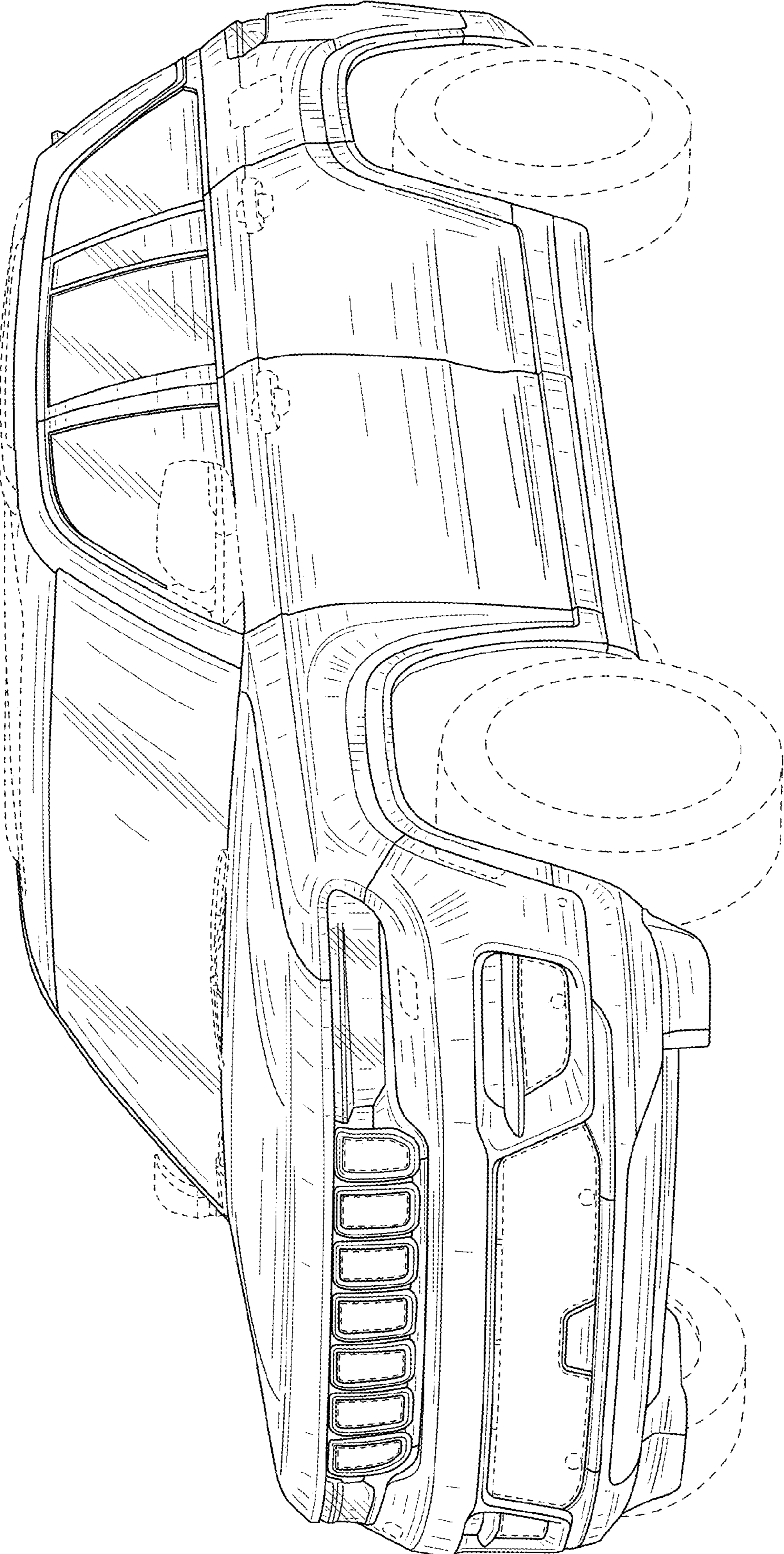


FIG. 1

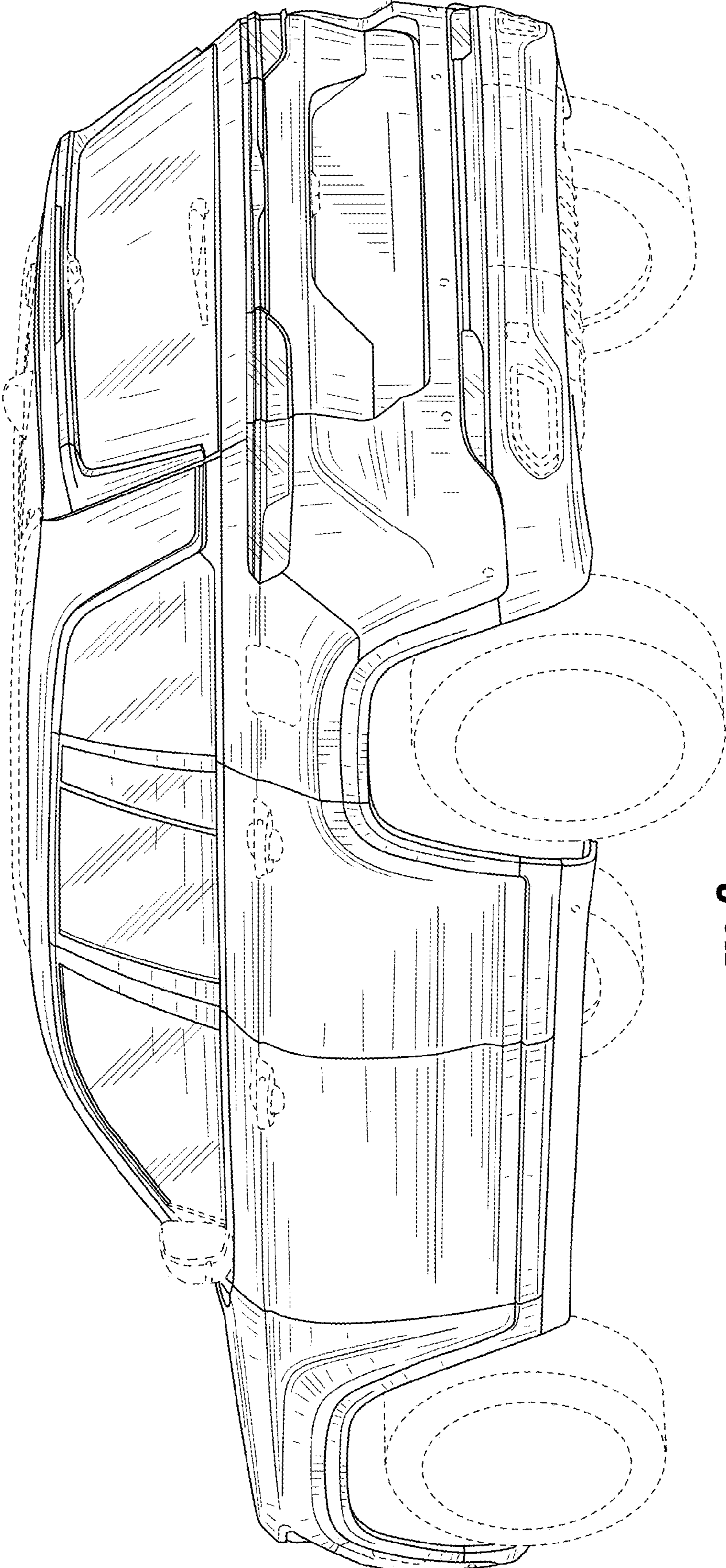


FIG. 2

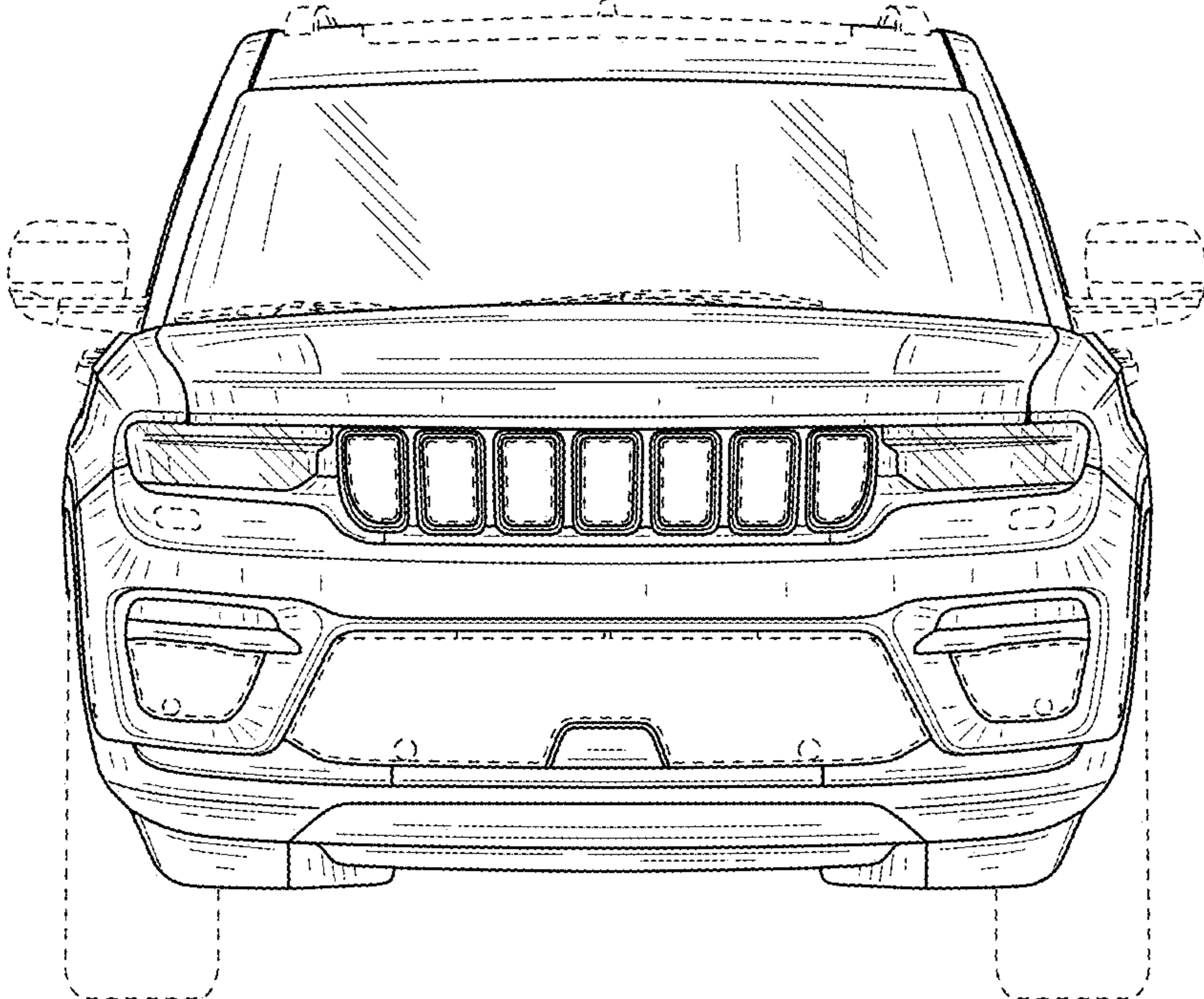


FIG. 3

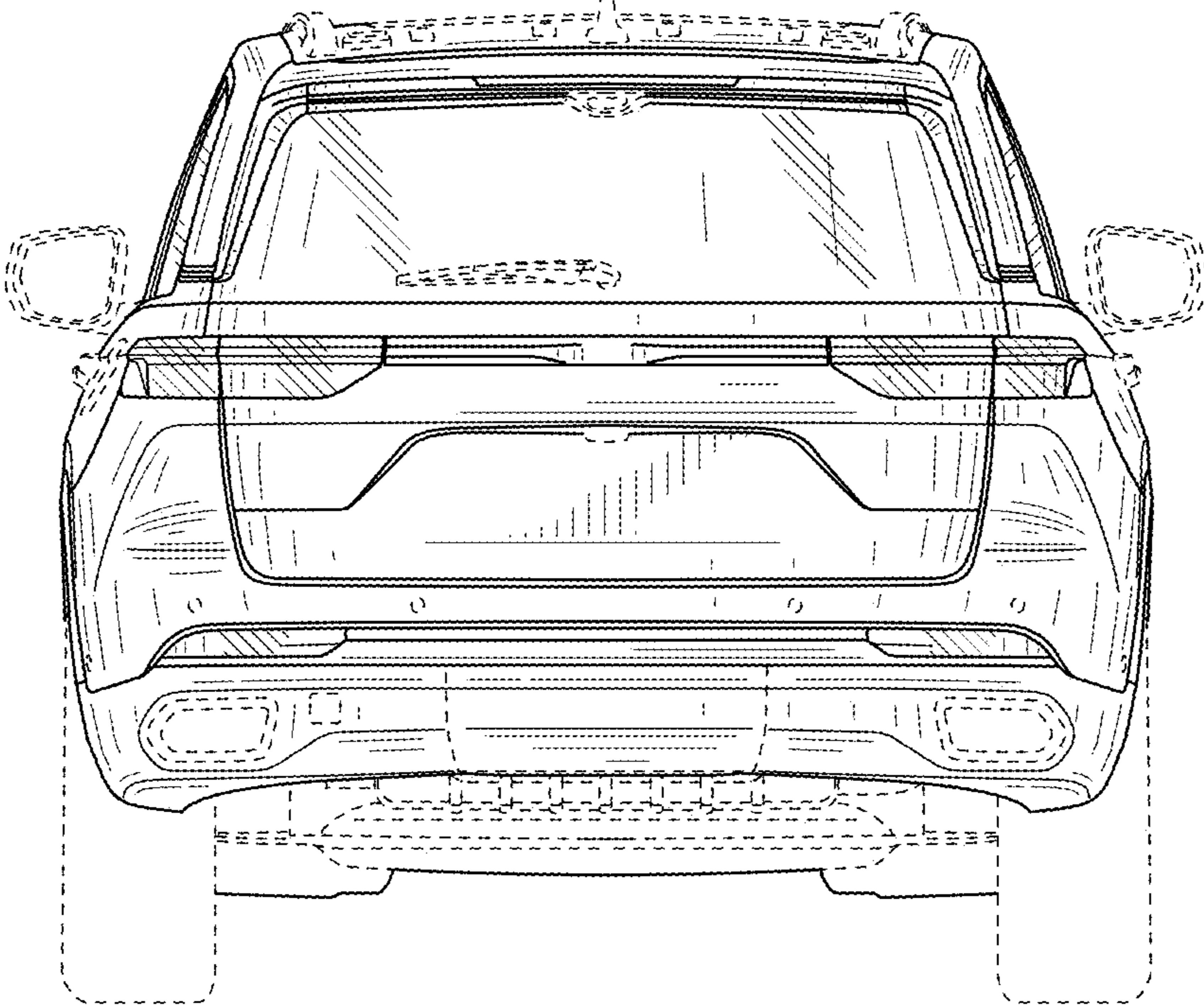


FIG. 4

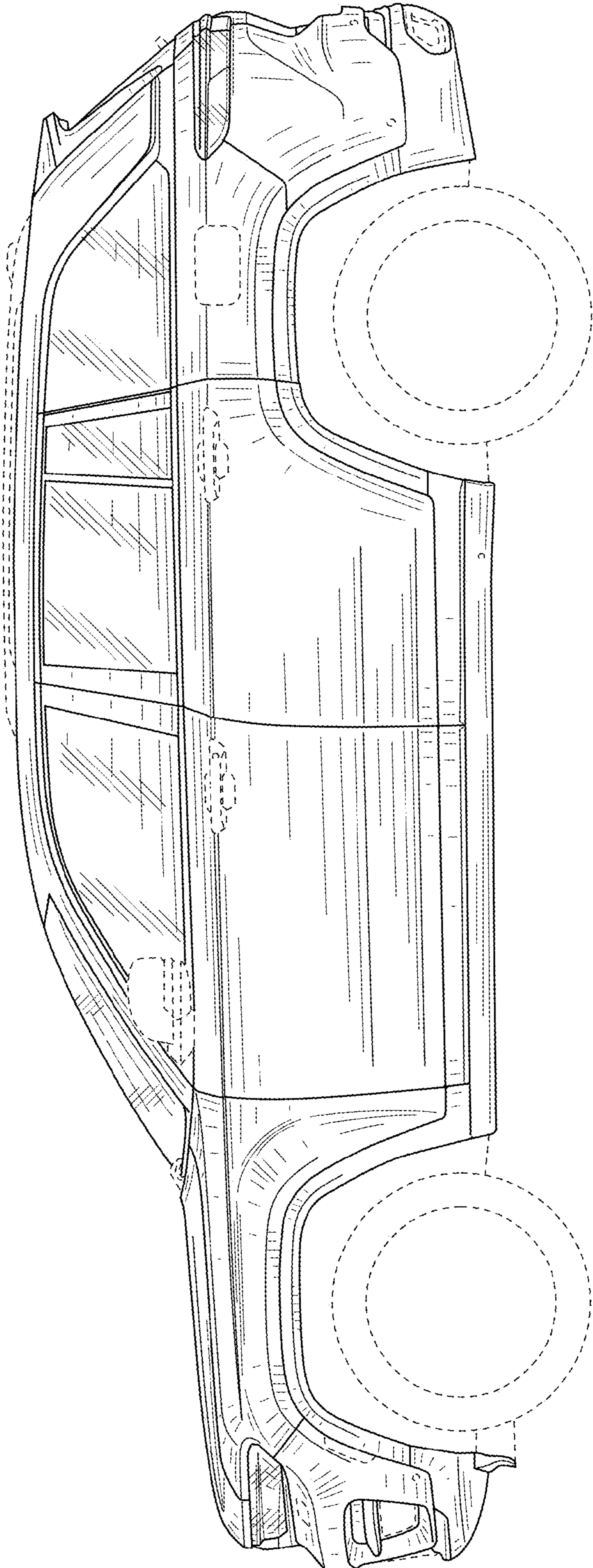


FIG. 5

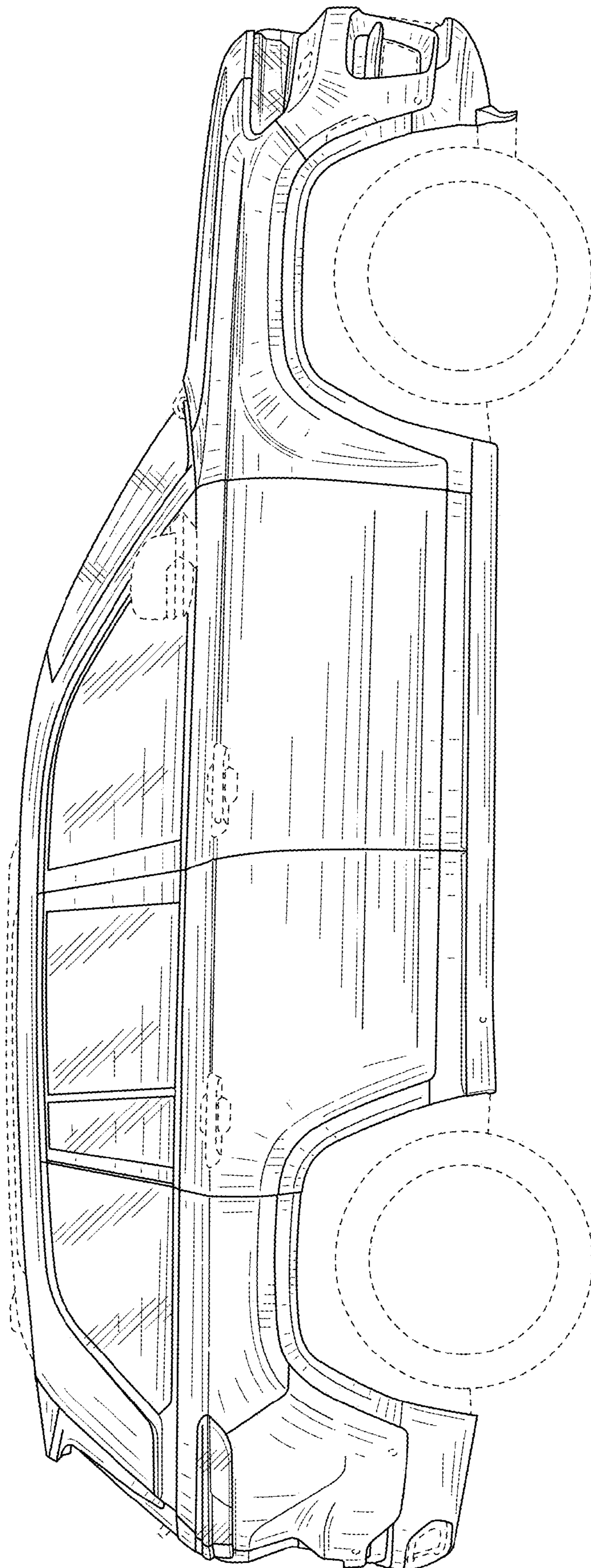


FIG. 6

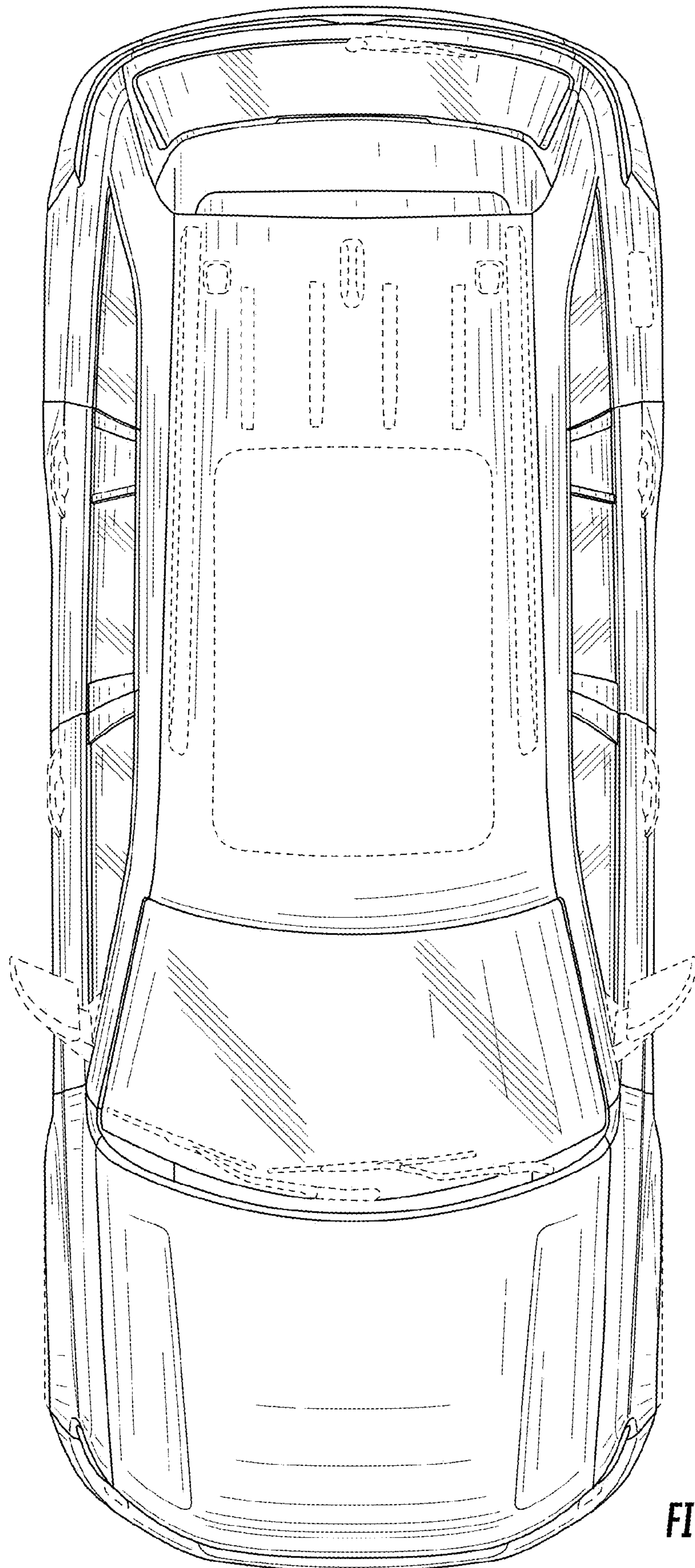


FIG. 7