



US00D954600S

(12) **United States Design Patent**
Kim et al.

(10) **Patent No.:** **US D954,600 S**
(45) **Date of Patent:** **** Jun. 14, 2022**

- (54) **VEHICLE FRONT GLASS**
- (71) Applicant: **Canoo Technologies Inc.**, Torrance, CA (US)
- (72) Inventors: **Richard Kim**, Los Angeles, CA (US); **Brian Oh**, Rancho Palos Verdes, CA (US); **Jackson E. Luttig**, Rancho Palos Verdes, CA (US); **Brian Spencer**, Lakewood, CA (US); **Noah Hammersten**, Studio City, CA (US)
- (73) Assignee: **Canoo Technologies Inc.**, Torrance, CA (US)

D274,637 S	7/1984	Terui et al.
D457,467 S	5/2002	Shimizu
D800,017 S	10/2017	Sapet
D832,742 S	11/2018	Fisker
D839,784 S	2/2019	Sugawara et al.
D860,862 S	9/2019	Janin
D875,185 S	2/2020	Zeng
10,769,940 B2	9/2020	Hur
10,821,776 B1	11/2020	Labadie et al.
10,829,145 B2	11/2020	Washnock et al.
10,870,361 B2	12/2020	Hara et al.
D914,541 S *	3/2021	Kentley-Klay D12/86
10,951,044 B2	3/2021	Choi et al.

(Continued)

(**) Term: **15 Years**

(21) Appl. No.: **29/804,297**

(22) Filed: **Aug. 19, 2021**

Related U.S. Application Data

(60) Division of application No. 29/746,628, filed on Aug. 14, 2020, which is a continuation of application No. 29/742,026, filed on Sep. 24, 2019.

(51) **LOC (13) Cl.** **12-02**

(52) **U.S. Cl.**
USPC **12/86**

(58) **Field of Classification Search**
USPC D12/1, 14, 82, 86, 93-100; D21/533, D21/552-560
CPC B60F 3/0061; B62D 35/00; B62D 33/00; B62D 25/00; B62D 25/06; B62D 33/06; B62D 33/0607; B62D 33/0621; B62D 33/0625; B62D 39/00; B62D 49/005; B62D 49/007

See application file for complete search history.

(56) **References Cited**

U.S. PATENT DOCUMENTS

D238,799 S	2/1976	Goldfarb et al.
D262,391 S	12/1981	Kanaoki

OTHER PUBLICATIONS

Autonomous vehicles. (Design—© Questel) orbit.com. [Online PDF compilation of references] 110 pgs. Print Dates Range Mar. 11, 2021-Jun. 15, 2016 [Retrieved Jan. 6, 2022].*

(Continued)

Primary Examiner — Manpreet S Matharu

Assistant Examiner — Suzanne E Tisdell

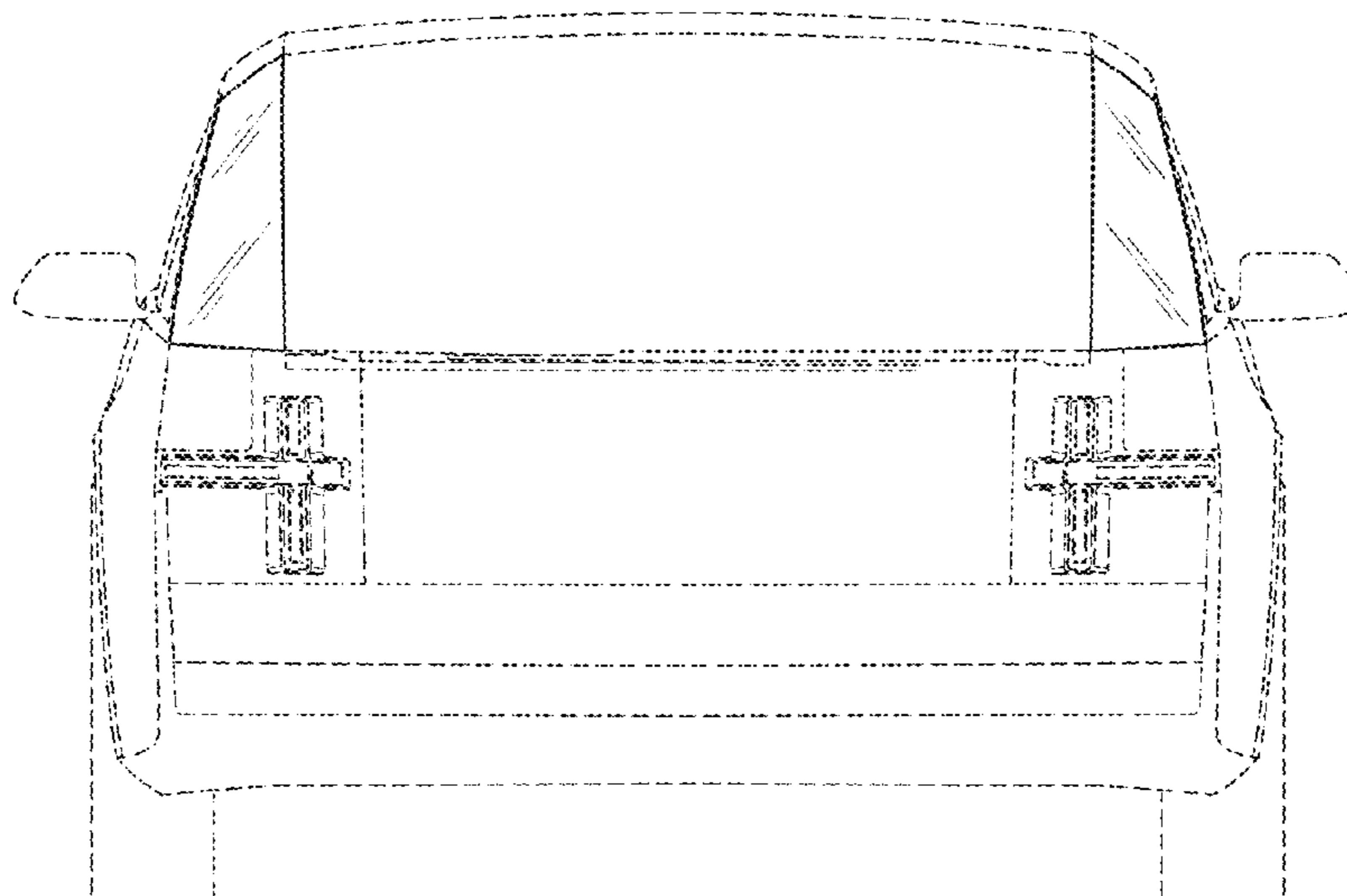
(57) **CLAIM**

The ornamental design for vehicle front glass, as shown and described.

DESCRIPTION

FIG. 1 is a front view of vehicle front glass according to an embodiment of the invention; FIG. 2 is a rear view thereof; FIG. 3 is a left side view thereof; FIG. 4 is right side view thereof; FIG. 5 is a top view thereof; and, FIG. 6 is a perspective view thereof. Features shown in broken lines do not form part of the claimed design.

1 Claim, 6 Drawing Sheets



(56)

References Cited

U.S. PATENT DOCUMENTS

10,959,892	B2	3/2021	Kamada et al.	
10,974,582	B2	4/2021	Hara	
10,983,199	B2	4/2021	Adams et al.	
D918,771	S *	5/2021	Bouzige	D12/86
D920,162	S *	5/2021	Iida	D12/86
D923,518	S *	6/2021	Lian	D12/93
11,034,254	B2	6/2021	Booth et al.	
11,040,609	B2	6/2021	Hara et al.	
D926,085	S *	7/2021	von Holzhausen	D12/93
D928,035	S *	8/2021	Bouzige	D12/86
D929,899	S *	9/2021	Hirata	D12/90
D930,505	S *	9/2021	Mei	D12/86
D932,368	S *	10/2021	Shih	D12/1
D932,943	S *	10/2021	Bouzige	D12/91
D934,116	S *	10/2021	Janin	D12/86
D935,350	S *	11/2021	Julian	D12/86
D937,120	S *	11/2021	Wu	D12/86

OTHER PUBLICATIONS

Canoo won't let you buy the EVs they're developing for 2021 and beyond. Sep. 25, 2019. Green Car Reports. https://www.greencarreports.com/news/1125207_canoo-won-t-let-you-buy-the-evs-they-re-developing-for-2021-and-beyond.*

Can Canoo can do. Jul. 8, 2021. Just Auto. <https://www.just-auto.com/features/can-canoo-can-do/>.*

BlackBerry finds another automotive partner in electric vehicle startup Canoo. Jul. 28, 2020. Tech Republic. <https://www.techrepublic.com/article/blackberry-finds-another-automotive-partner-in-electric-vehicle-startup-canoo/>.*

“Electric Vehicle (Design—© Questel) orbit.com [Online PDF compilation of references] 49 pgs. Print Dates Range Jan. 20, 2021-Mar. 28, 2019 [Retrieved Jun. 29, 2021]”.

Reynolds, Kim. “The Canoo Electric Car: 6 Thoughts After Visiting the EV Startup.” Aug. 17, 2019. Motor Trend. <https://www.motortrend.com/news/canoo-electric-car-6-thoughts-ev-startup/>.

Abuelsamid, Sam. “Introducing Canoo, No Paddles Required for This Electric Van.” Sep. 24, 2019. Forbes. <https://www.forbes.com/sites/samabuelsamid/2019/09/24/introducing-canoo-no-paddles-required-for-this-electric-van/sh?=3a231b27641d>.

Okane, Sean. “Canoos First Subscription-Only EV is a Refereshing Rethink of the VW Microbus.” Sep. 24, 2019. The Verge. <https://www.theverge.com/2019/9/24/20882538/canoo-evelozcity-ev-subscription-electric-vehicle>.

* cited by examiner

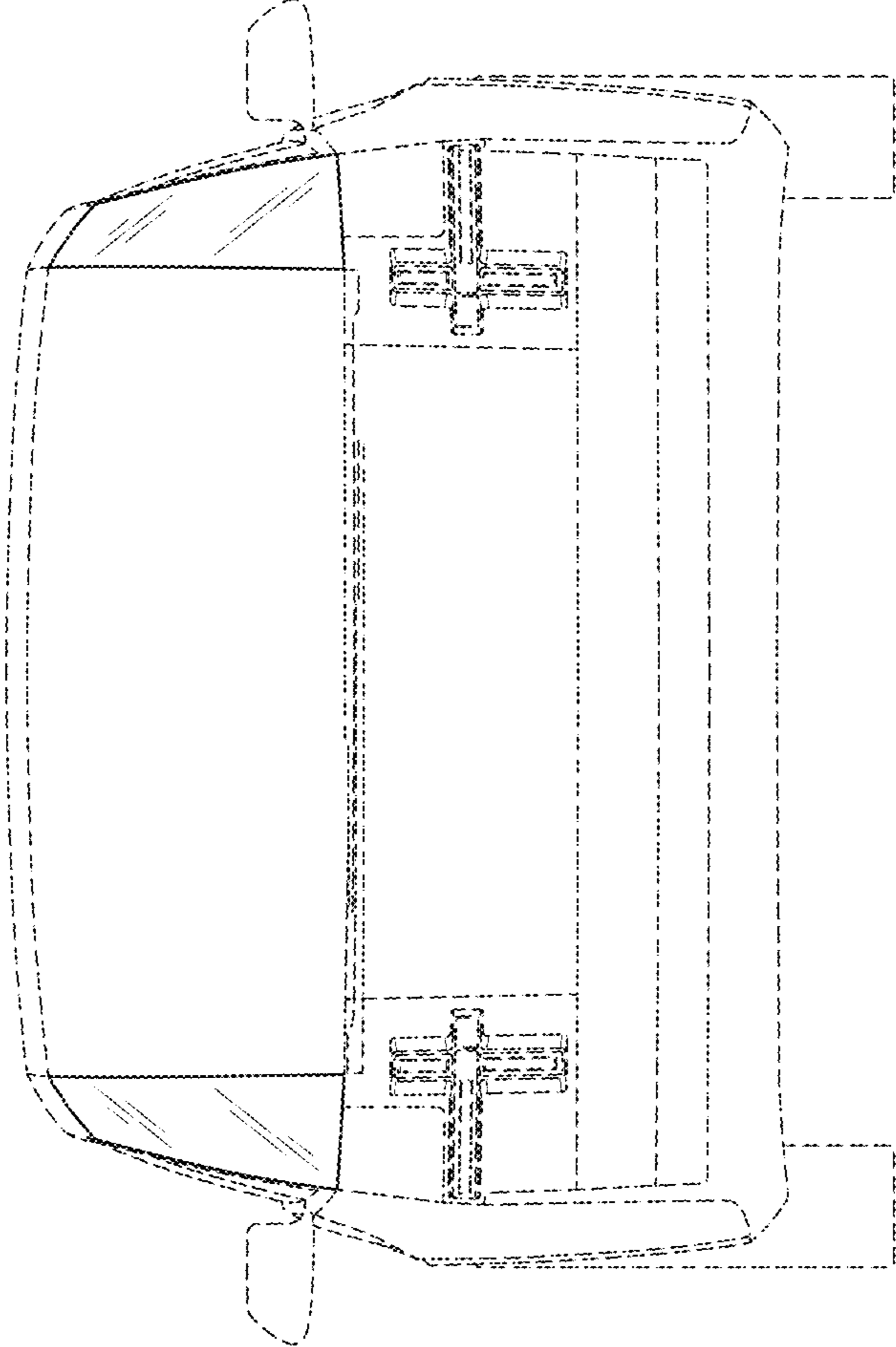


Fig. 1

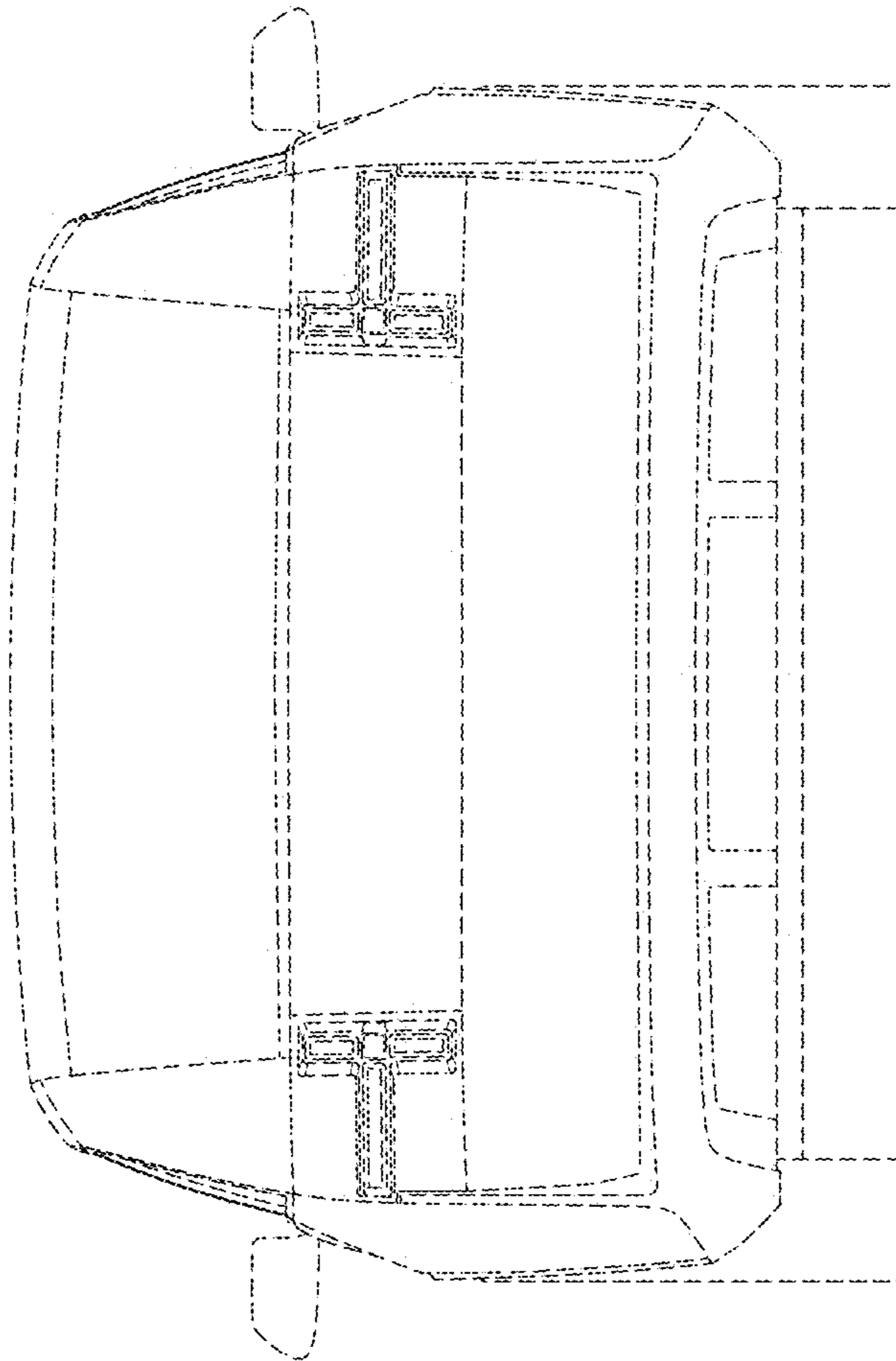


Fig. 2

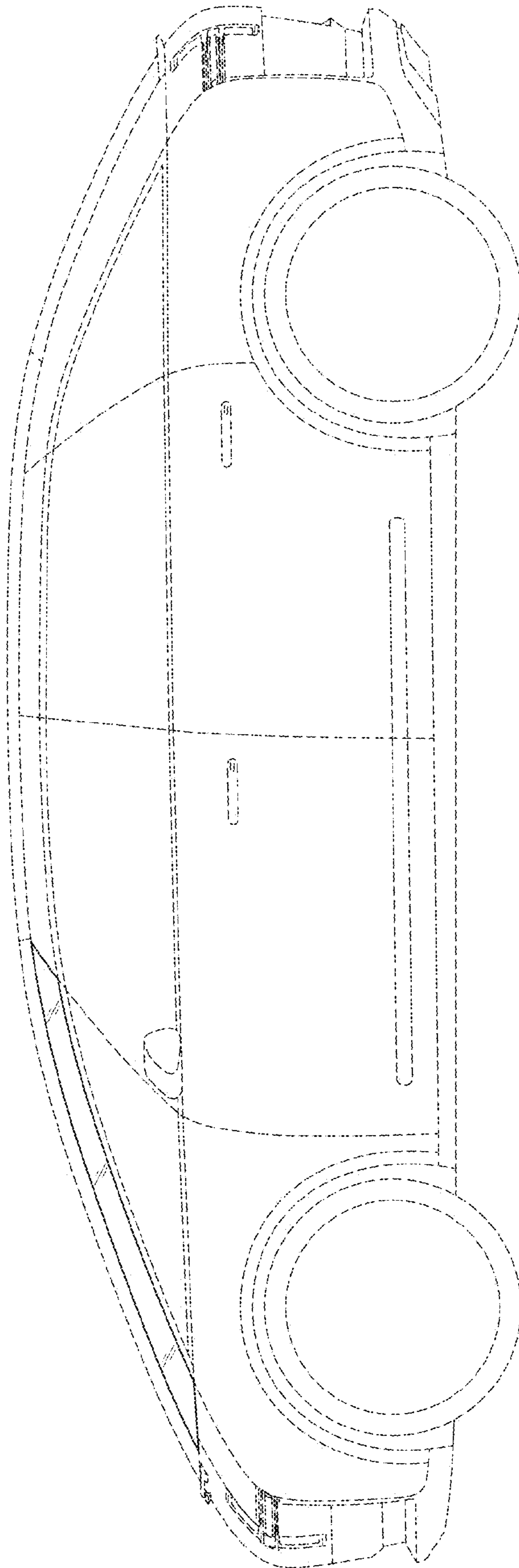


FIG. 3

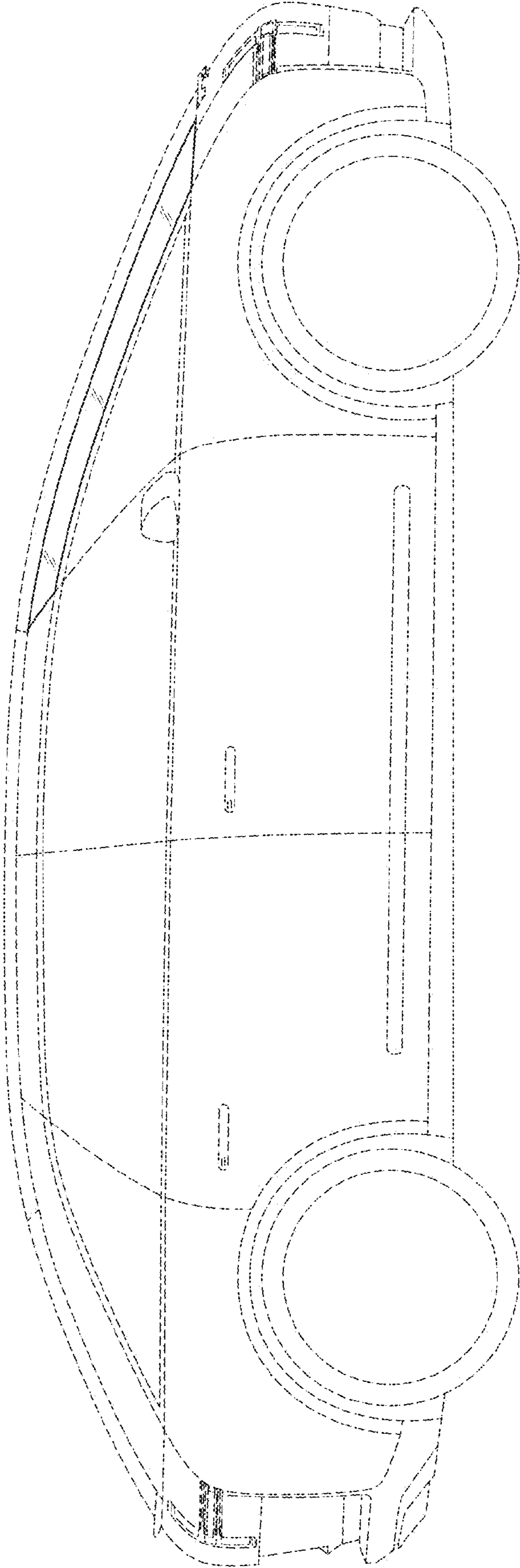


Fig. 4

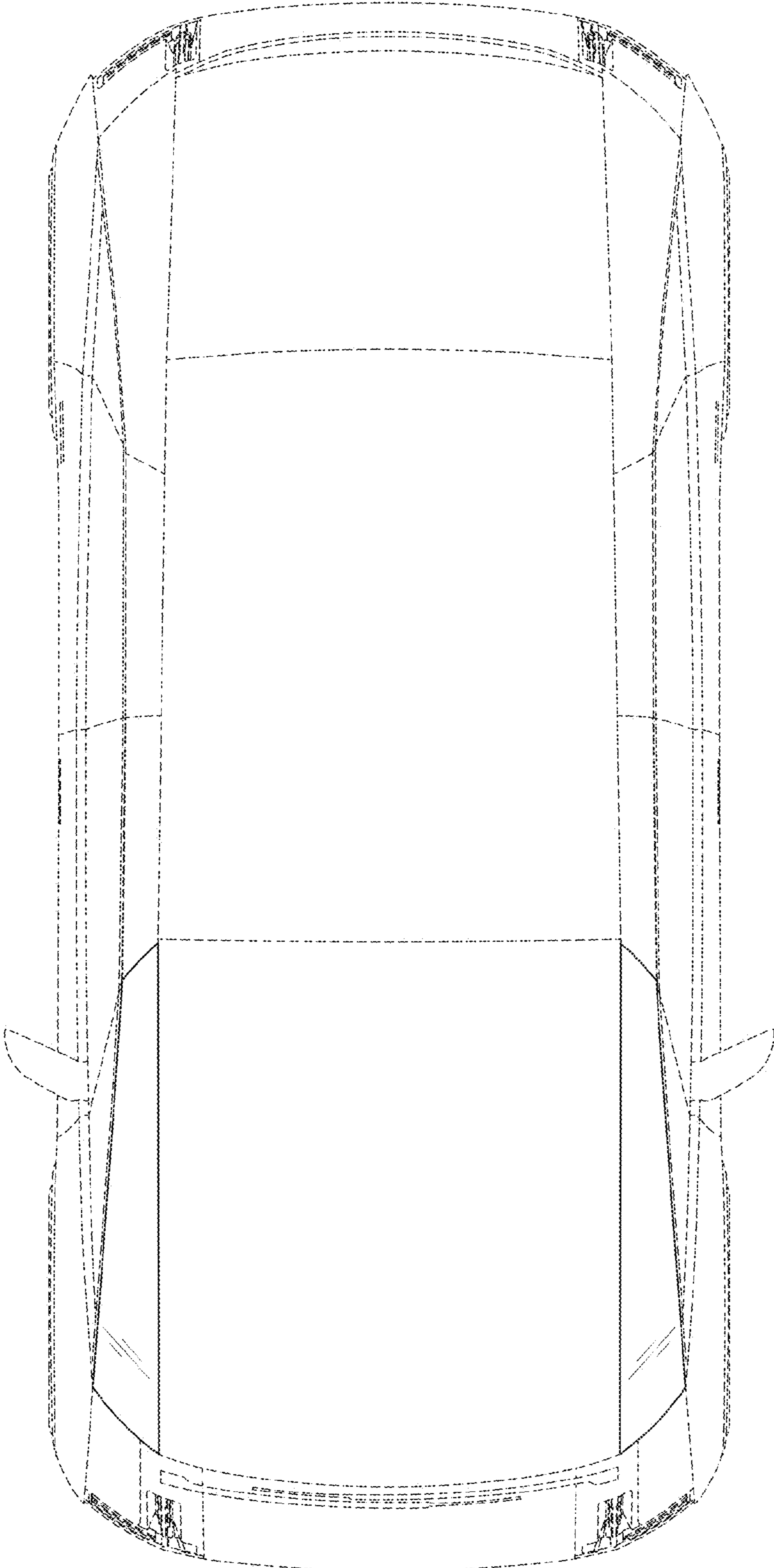


Fig. 5

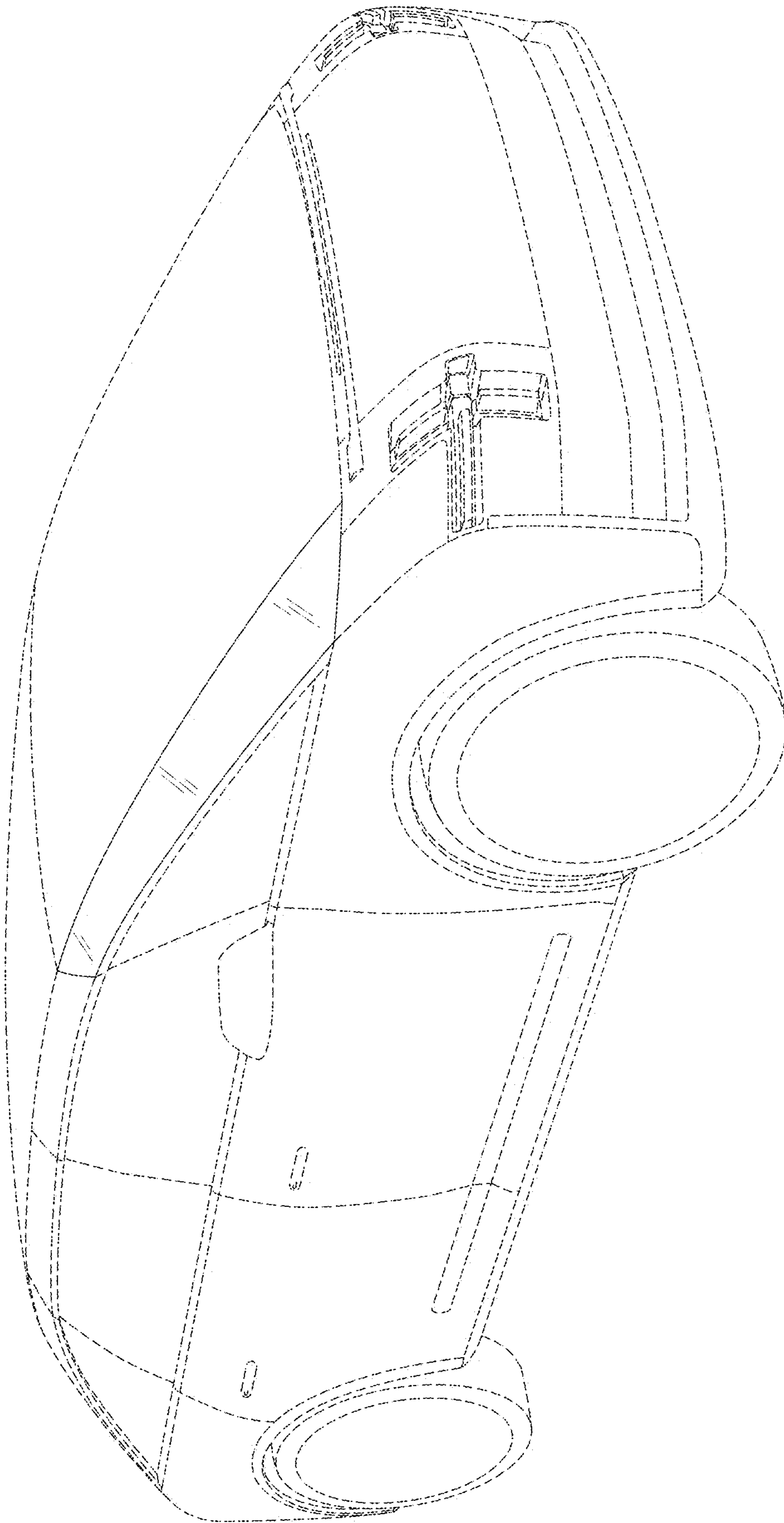


Fig. 6