



US00D954599S

(12) **United States Design Patent** (10) **Patent No.:** **US D954,599 S**  
**Xu** (45) **Date of Patent:** **\*\* Jun. 14, 2022**

(54) **DRONE**  
(71) Applicant: **Wenhui Xu**, Longhai (CN)  
(72) Inventor: **Wenhui Xu**, Longhai (CN)  
(\*\*) Term: **15 Years**  
(21) Appl. No.: **29/740,265**

2018/0276995 A1\* 9/2018 Priest ..... G08G 5/0086  
2019/0355262 A1\* 11/2019 Priest ..... G08G 5/0086  
2020/0086982 A1\* 3/2020 Wang ..... B64C 39/024  
2021/0125435 A1\* 4/2021 Tagliaferri ..... G07C 9/00182

FOREIGN PATENT DOCUMENTS

EM 008030811-0001 \* 7/2020  
GB 9008030811-0001 \* 7/2020

OTHER PUBLICATIONS

Droneeye. "Droneeye 4DV14 Drone with Camera for Adults . . ." First Avail: Oct. 6, 2021 [visited: Mar. 8, 2022] Amazon URL: [https://www.amazon.com/dp/B09HV3Q5JL/ref=\(Year:2021\)\\*](https://www.amazon.com/dp/B09HV3Q5JL/ref=(Year:2021)*)  
Sanrock. "1080P Drones with Camera for Adults and Kids . . ." First Avail: May 26, 2021 [visited: Mar. 11, 2021] Amazon URL: [https://www.amazon.com/SANROCK-Beginners-Batteries-Quadcopter-Hovering/dp/B095WN91C1/ref=\(Year:2021\)\\*](https://www.amazon.com/SANROCK-Beginners-Batteries-Quadcopter-Hovering/dp/B095WN91C1/ref=(Year:2021)*)

\* cited by examiner

*Primary Examiner* — Marissa J Cash  
*Assistant Examiner* — Jessie Anne E Touart

(22) Filed: **Jul. 2, 2020**  
(51) **LOC (13) Cl.** ..... **12-07**  
(52) **U.S. Cl.**  
USPC ..... **D12/16.1**  
(58) **Field of Classification Search**  
USPC ..... D12/1-4, 16.1, 214, 319-345;  
D21/436-454  
CPC ..... B64C 29/0025; B64C 2201/108; B64C  
2201/048; B64C 2201/088; B64C 29/00;  
B64C 29/0058; B64C 39/001; B64C  
39/024; B64C 2201/141; B64C 2201/127;  
B64C 2201/128; B64C 2201/042; B64C  
2201/143  
See application file for complete search history.

(57) **CLAIM**

The ornamental design for a drone, as shown and described.

**DESCRIPTION**

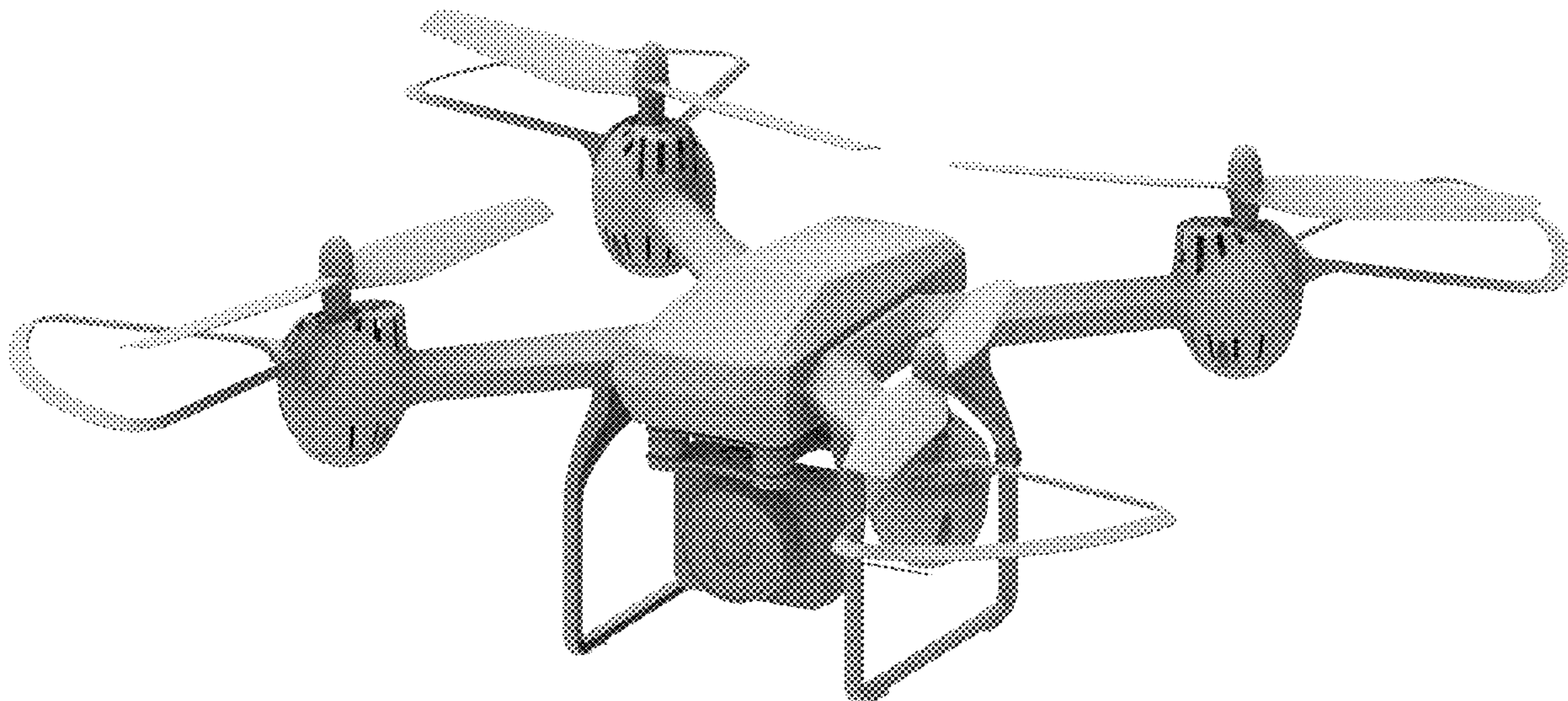
FIG. 1 is a front, top perspective view of a drone showing my new design;  
FIG. 2 is a rear, bottom perspective view thereof;  
FIG. 3 is a front view thereof;  
FIG. 4 is a rear view thereof;  
FIG. 5 is a left side view thereof;  
FIG. 6 is a right side view thereof;  
FIG. 7 is a top view thereof; and,  
FIG. 8 is a bottom view thereof.

**1 Claim, 8 Drawing Sheets**

(56) **References Cited**

U.S. PATENT DOCUMENTS

D768,540 S \* 10/2016 Ji ..... D12/16.1  
D783,727 S \* 4/2017 Xiao ..... D21/441  
D793,482 S \* 8/2017 Wang ..... D21/441  
D798,961 S \* 10/2017 Li ..... D21/441  
D798,962 S \* 10/2017 Xiao ..... D21/441  
D814,385 S \* 4/2018 Zhao ..... D12/328  
D816,547 S \* 5/2018 Cui ..... D12/16.1  
D858,353 S \* 9/2019 Gan ..... D12/16.1  
D862,360 S \* 10/2019 Liang ..... D12/328  
D883,141 S \* 5/2020 Lin ..... D12/16.1  
D891,298 S \* 7/2020 Zhao ..... D12/16.1



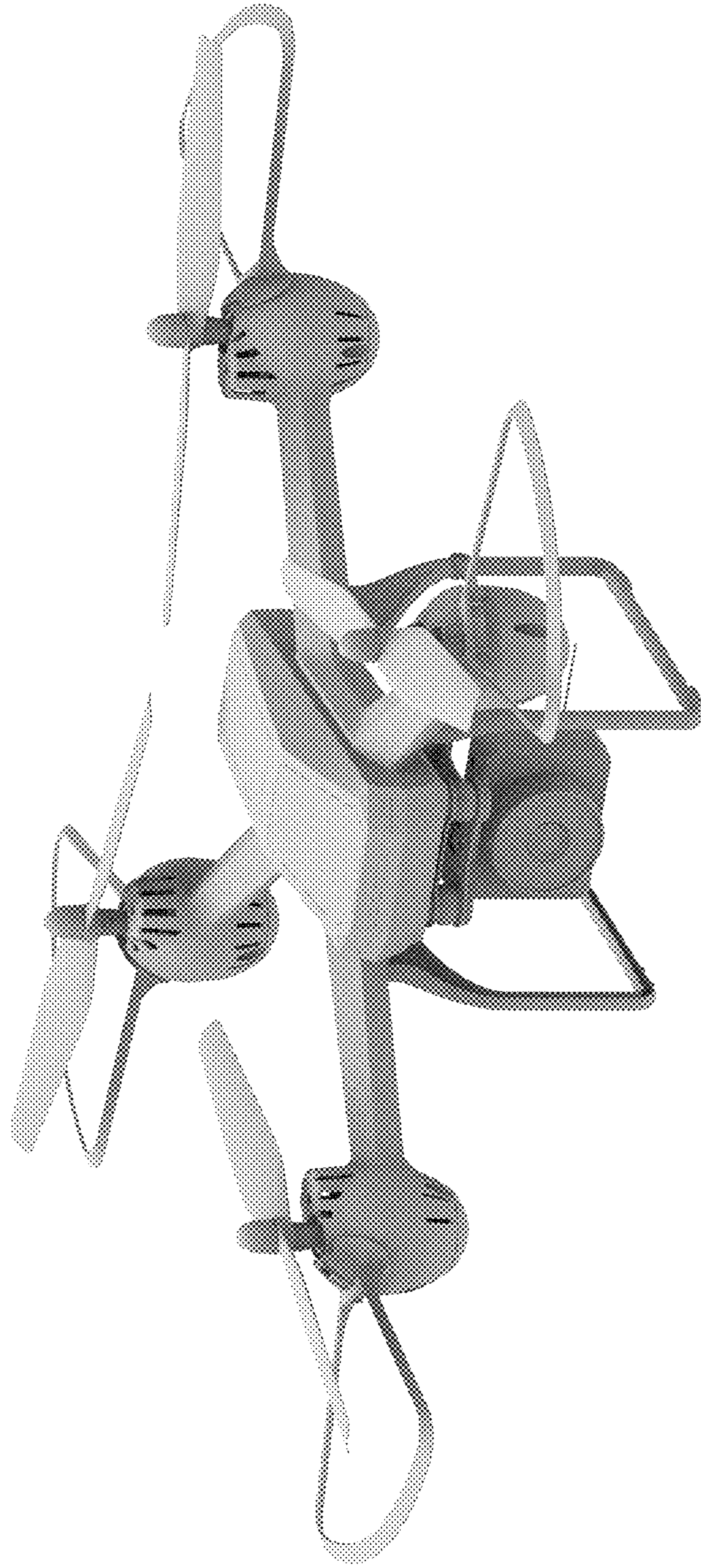


FIG.1

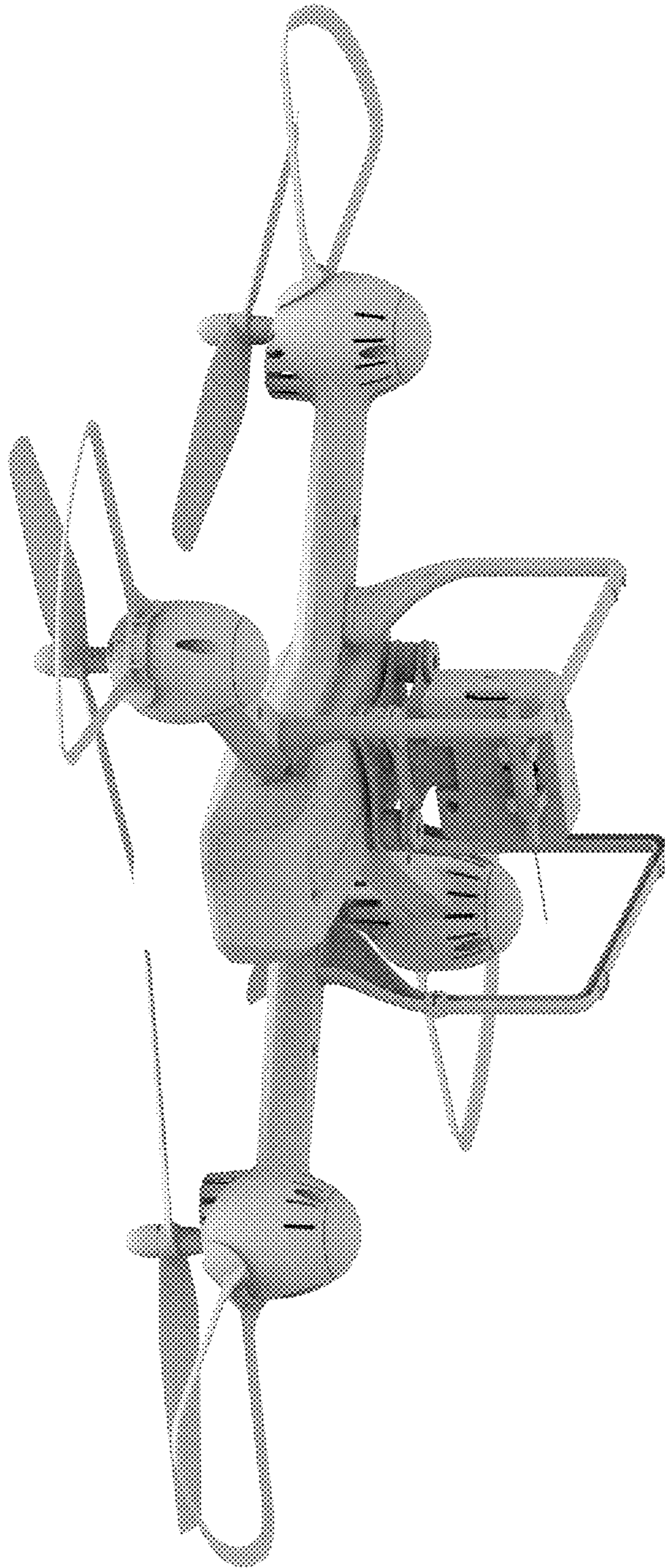


FIG.2

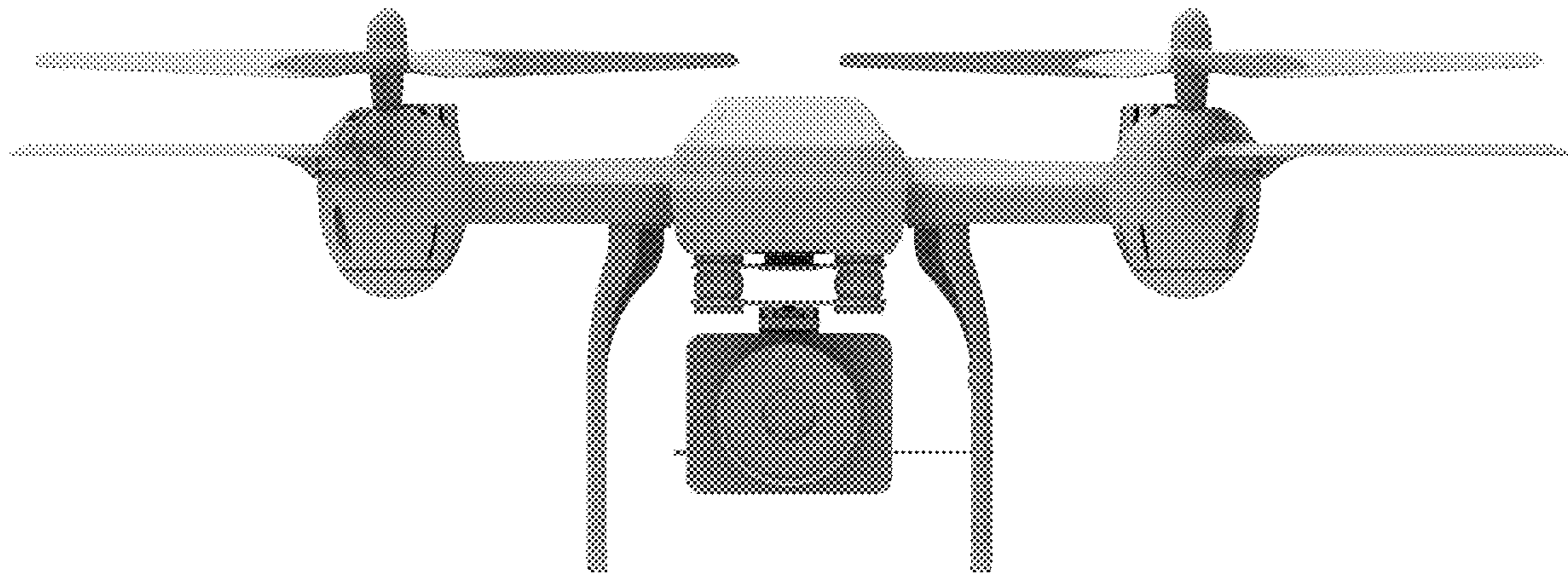


FIG.3

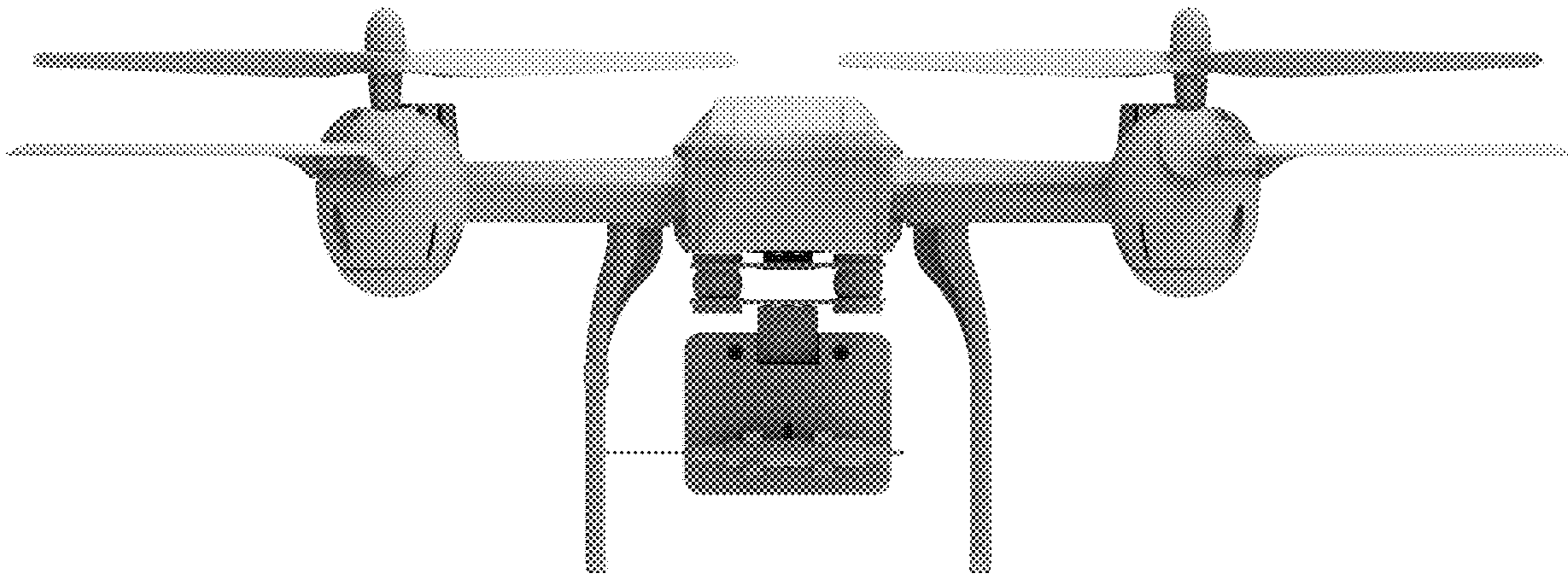


FIG.4

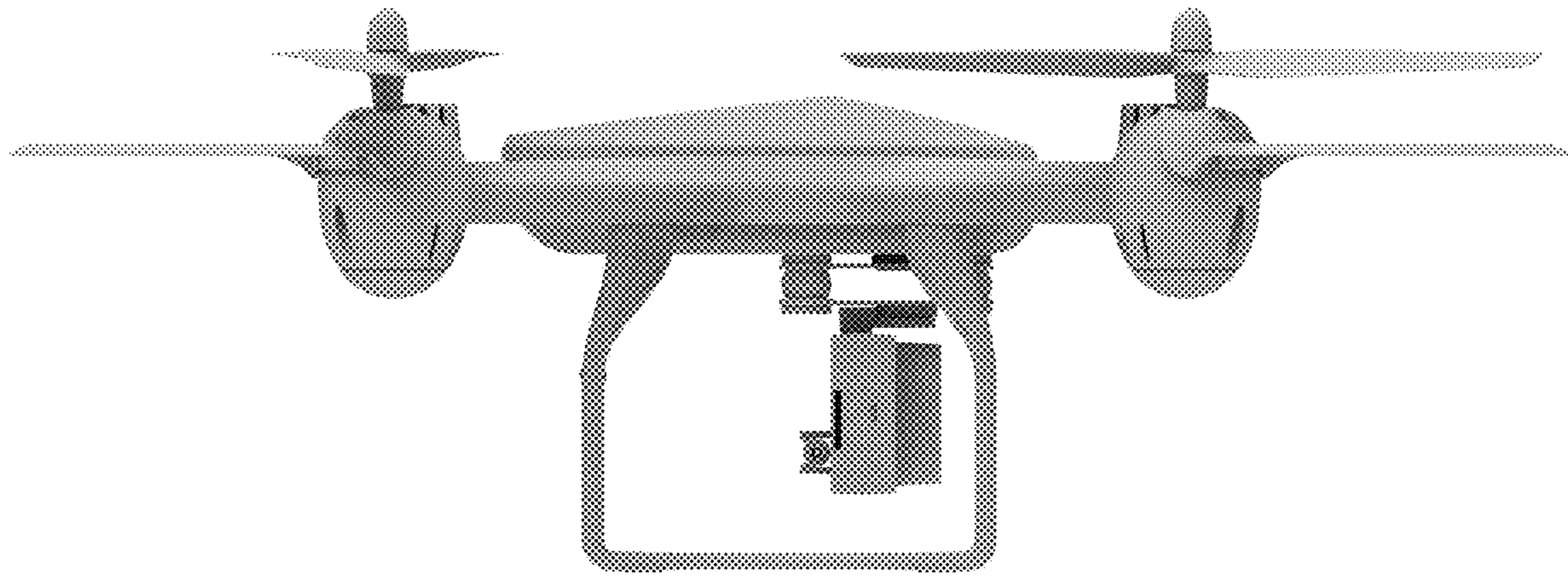


FIG.5

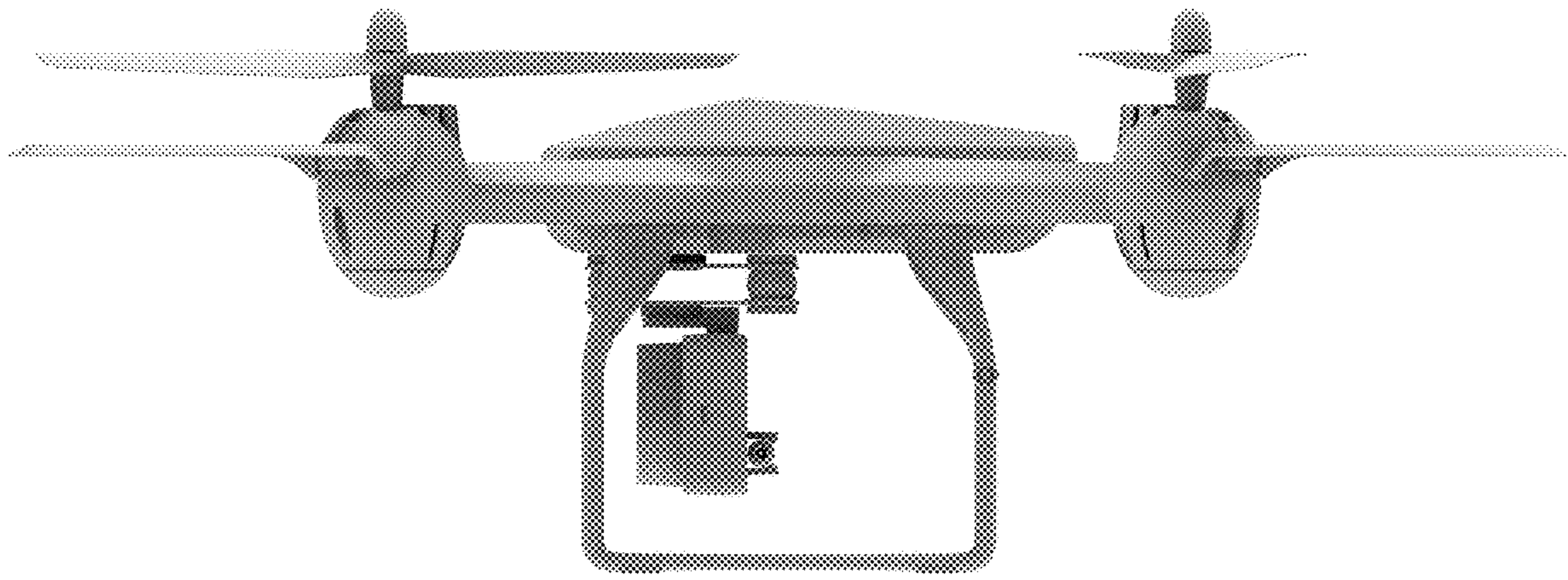


FIG.6



FIG.7





FIG.8