



US00D954598S

(12) **United States Design Patent**
Keman et al.

(10) **Patent No.:** **US D954,598 S**

(45) **Date of Patent:** **** Jun. 14, 2022**

(54) **ARMORED VEHICLE**

(71) Applicant: **FNSS SAVUNMA SISTEMLERI A.S.**,
Ankara (TR)

(72) Inventors: **Gokhan Keman**, Ankara (TR); **Tolga Yasar Yilmaz**, Ankara (TR); **Arif Madanoglu**, Ankara (TR)

(**) Term: **15 Years**

(21) Appl. No.: **29/711,503**

(22) Filed: **Oct. 31, 2019**

(30) **Foreign Application Priority Data**

Jun. 13, 2019 (TR) 2019/03741

(51) **LOC (13) Cl.** **12-13**

(52) **U.S. Cl.**
USPC **D12/12**

(58) **Field of Classification Search**

USPC D12/1, 12, 93
CPC ... F41H 5/26; F41H 5/023; F41H 7/00; F41H 7/02; F41H 7/048; F41H 7/005; F41H 7/044; F41H 7/042; F41H 5/02
See application file for complete search history.

(56) **References Cited**

U.S. PATENT DOCUMENTS

D526,244 S * 8/2006 LeBlanc, Sr. D12/12
D526,246 S * 8/2006 LeBlanc, Sr. D12/12
D526,597 S * 8/2006 Hiltunen D12/12

D527,684 S * 9/2006 Eckstedt D12/12
D527,685 S * 9/2006 LeBlanc, Sr. D12/12
D527,686 S * 9/2006 LeBlanc, Sr. D12/12
D527,687 S * 9/2006 LeBlanc, Sr. D12/12
D527,688 S * 9/2006 LeBlanc, Sr. D12/12
D790,397 S * 6/2017 Khoroushi D12/12
2006/0005695 A1* 1/2006 Honlinger B62D 53/045
89/36.08
2006/0237251 A1* 10/2006 LeBlanc, Sr. F41H 7/02
180/252
2015/0284831 A1* 10/2015 Kropfl F41H 5/023
148/552

* cited by examiner

Primary Examiner — Ania Aman

(74) *Attorney, Agent, or Firm* — Egbert, McDaniel & Swartz, PLLC

(57) **CLAIM**

The ornamental design for an armored vehicle, as shown and described.

DESCRIPTION

FIG. 1 is a front view of an armored vehicle showing our new design.

FIG. 2 is a rear view thereof;

FIG. 3 is a right side view thereof;

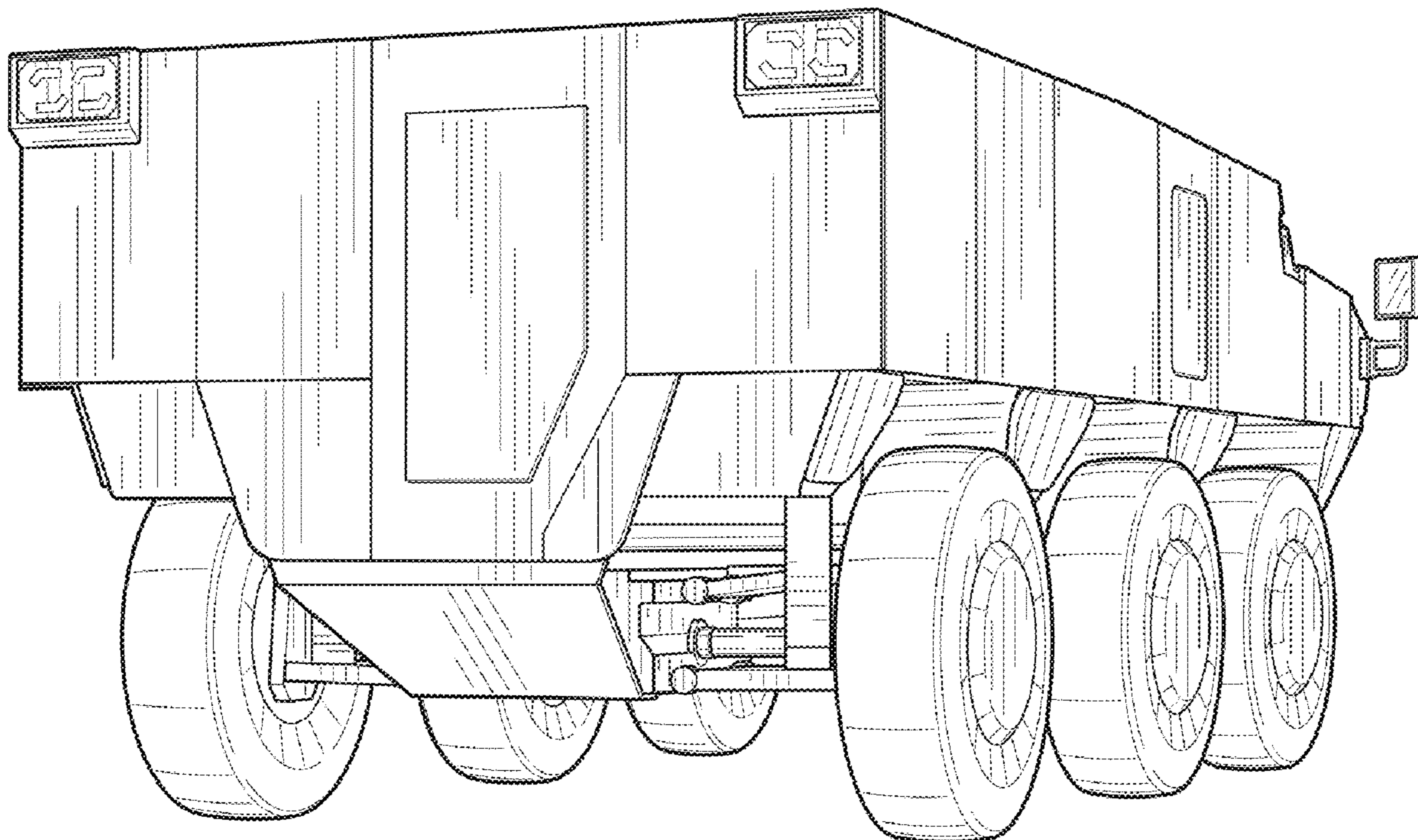
FIG. 4 is a top view thereof;

FIG. 5 is a first perspective view thereof; and,

FIG. 6 is a second perspective view thereof.

The broken lines in FIGS. 1-3 illustrate portions of the armored vehicle that form no part of the claimed design.

1 Claim, 3 Drawing Sheets



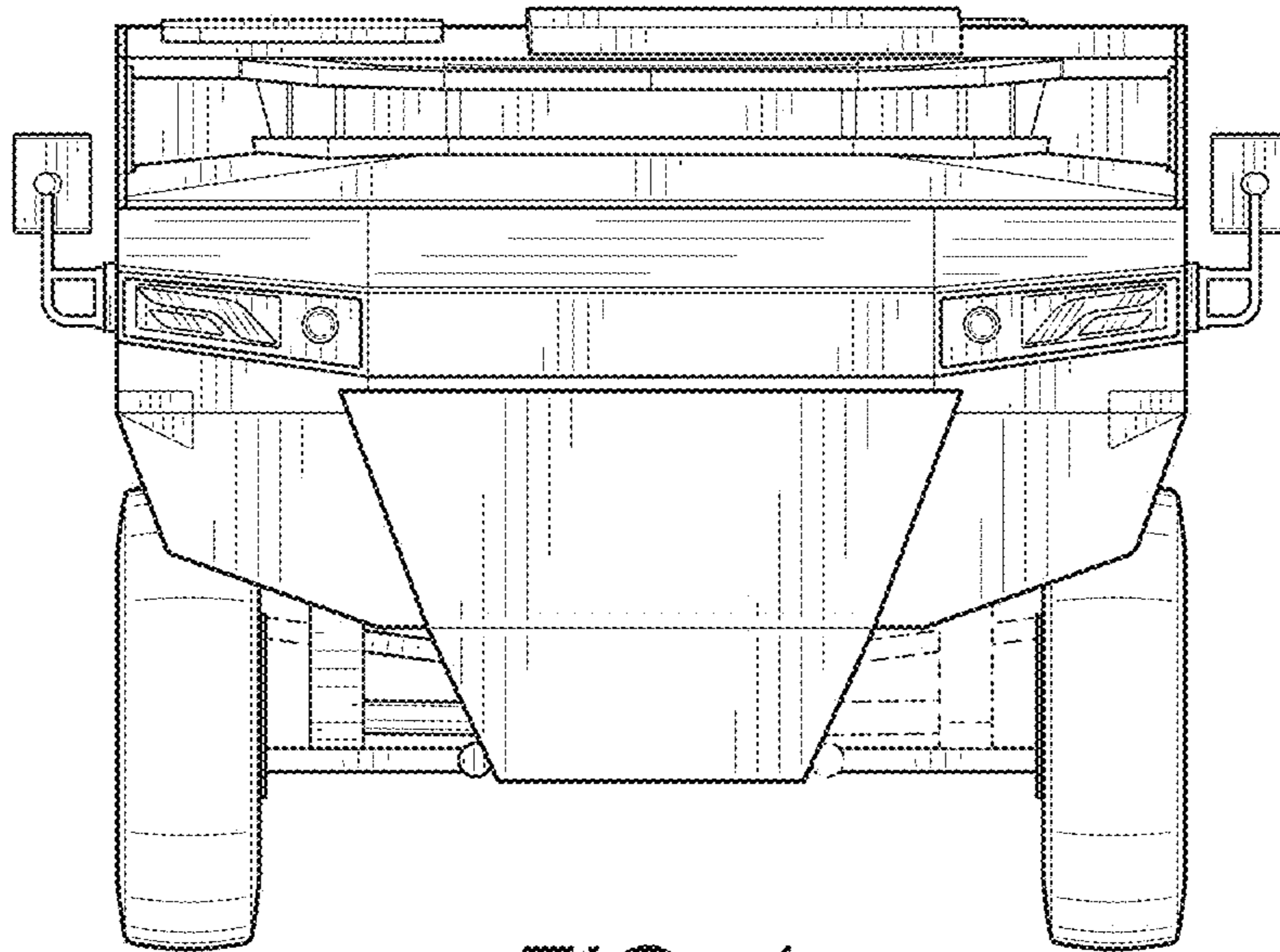


FIG. 1

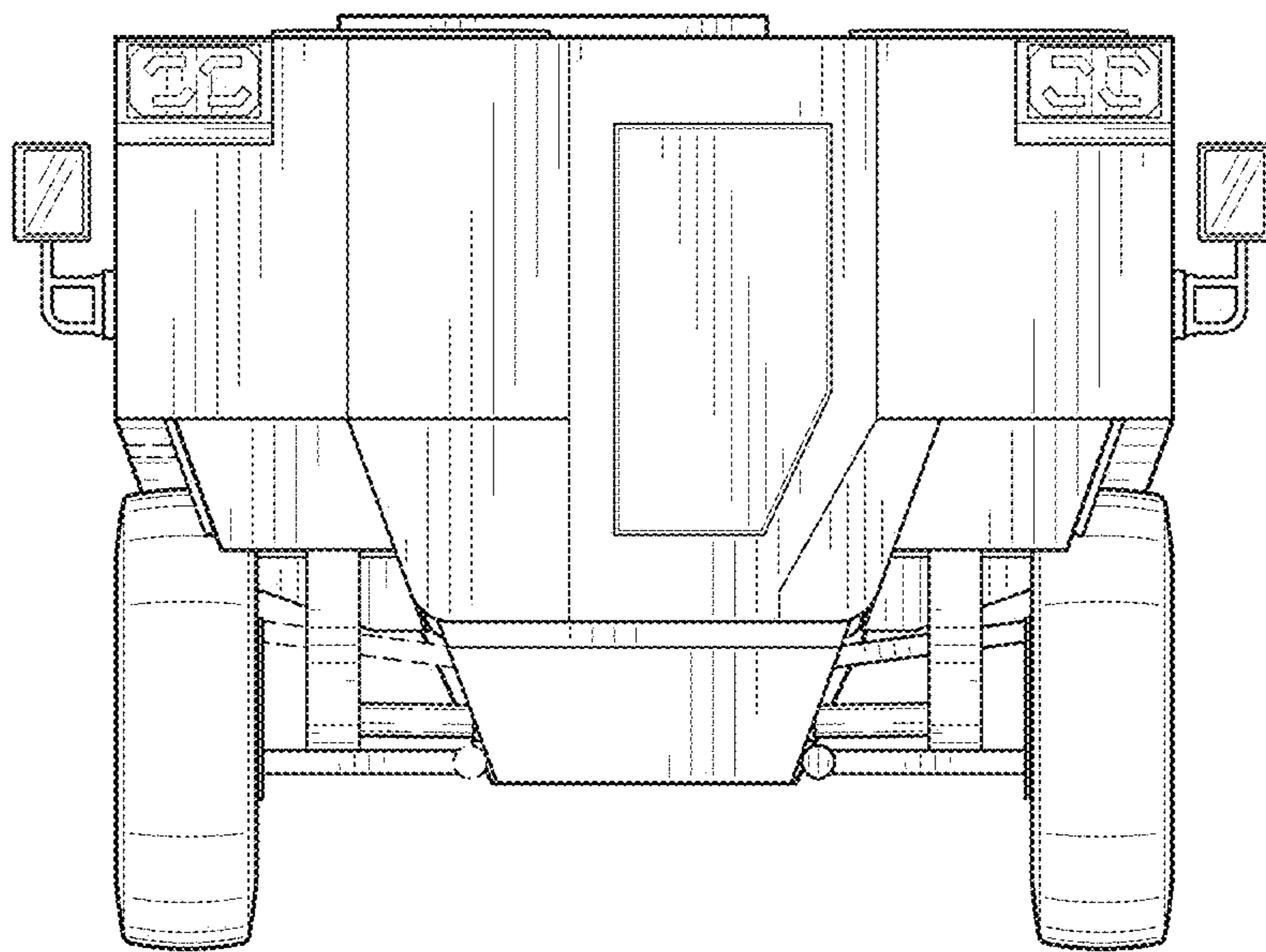


FIG. 2

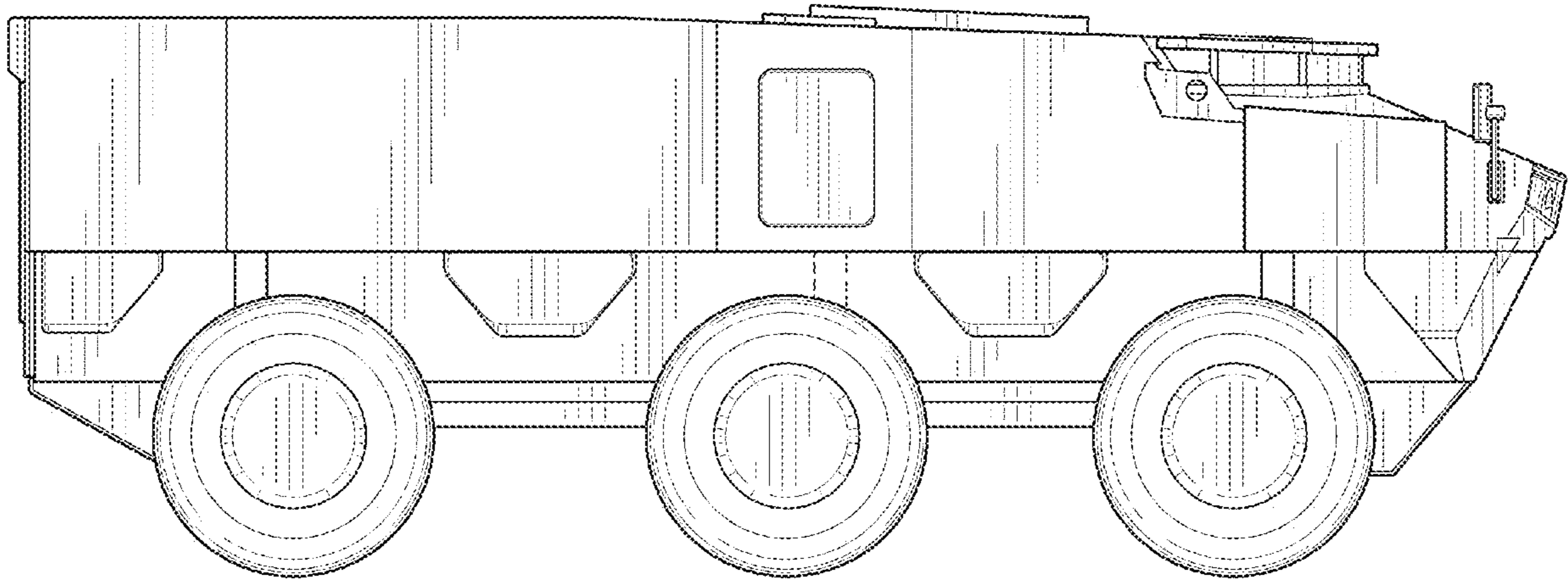


FIG. 3

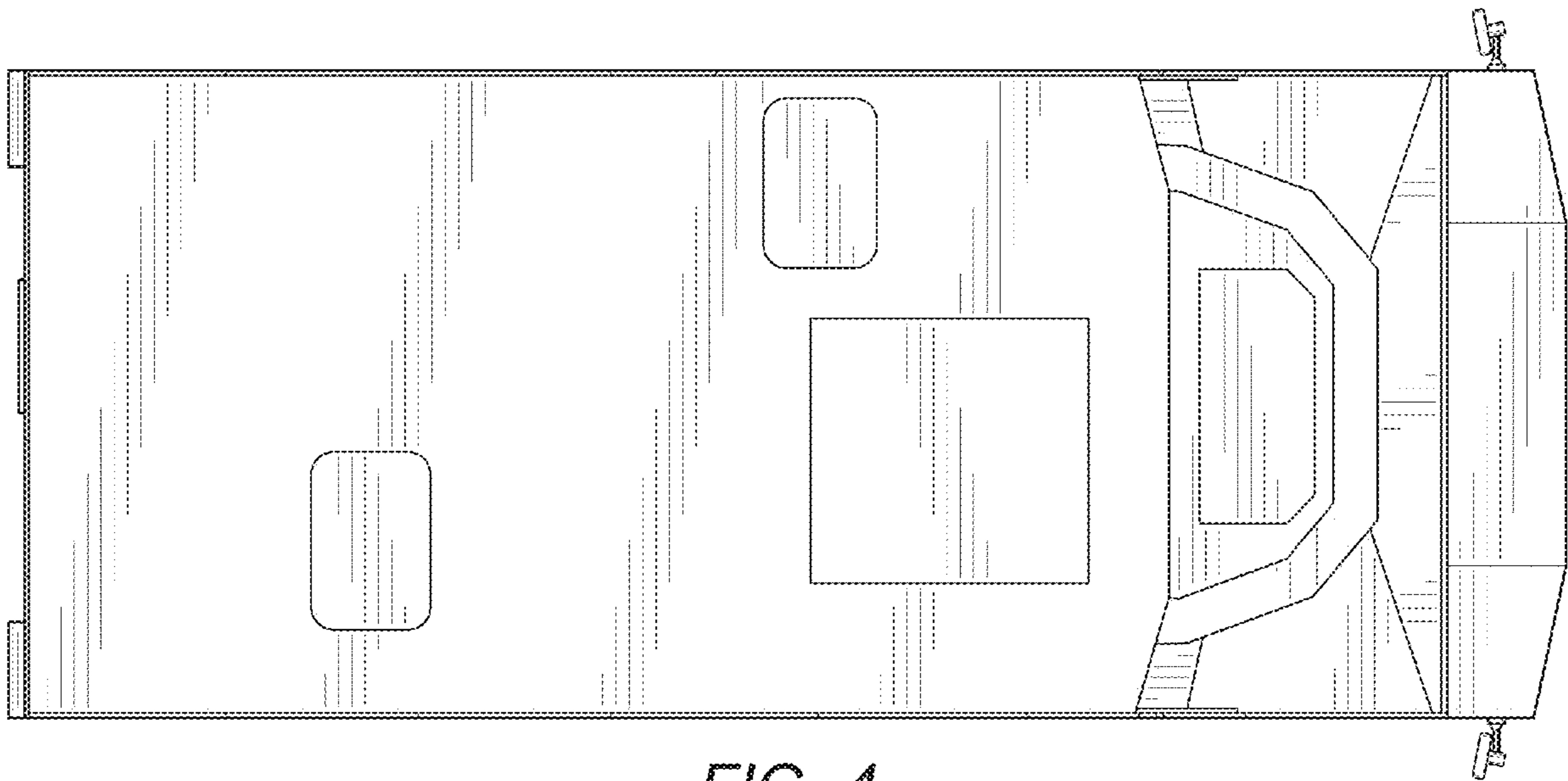


FIG. 4

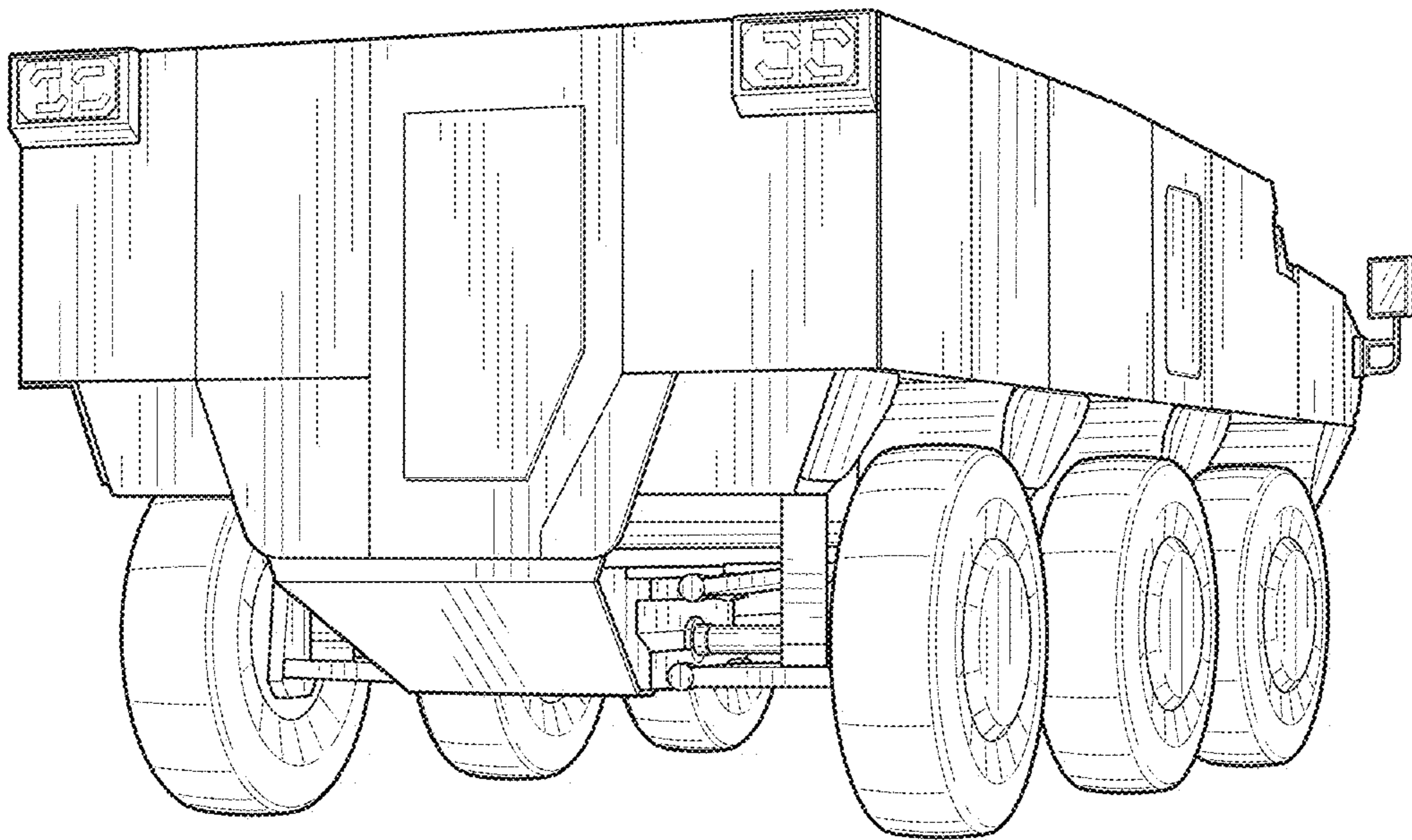


FIG. 5

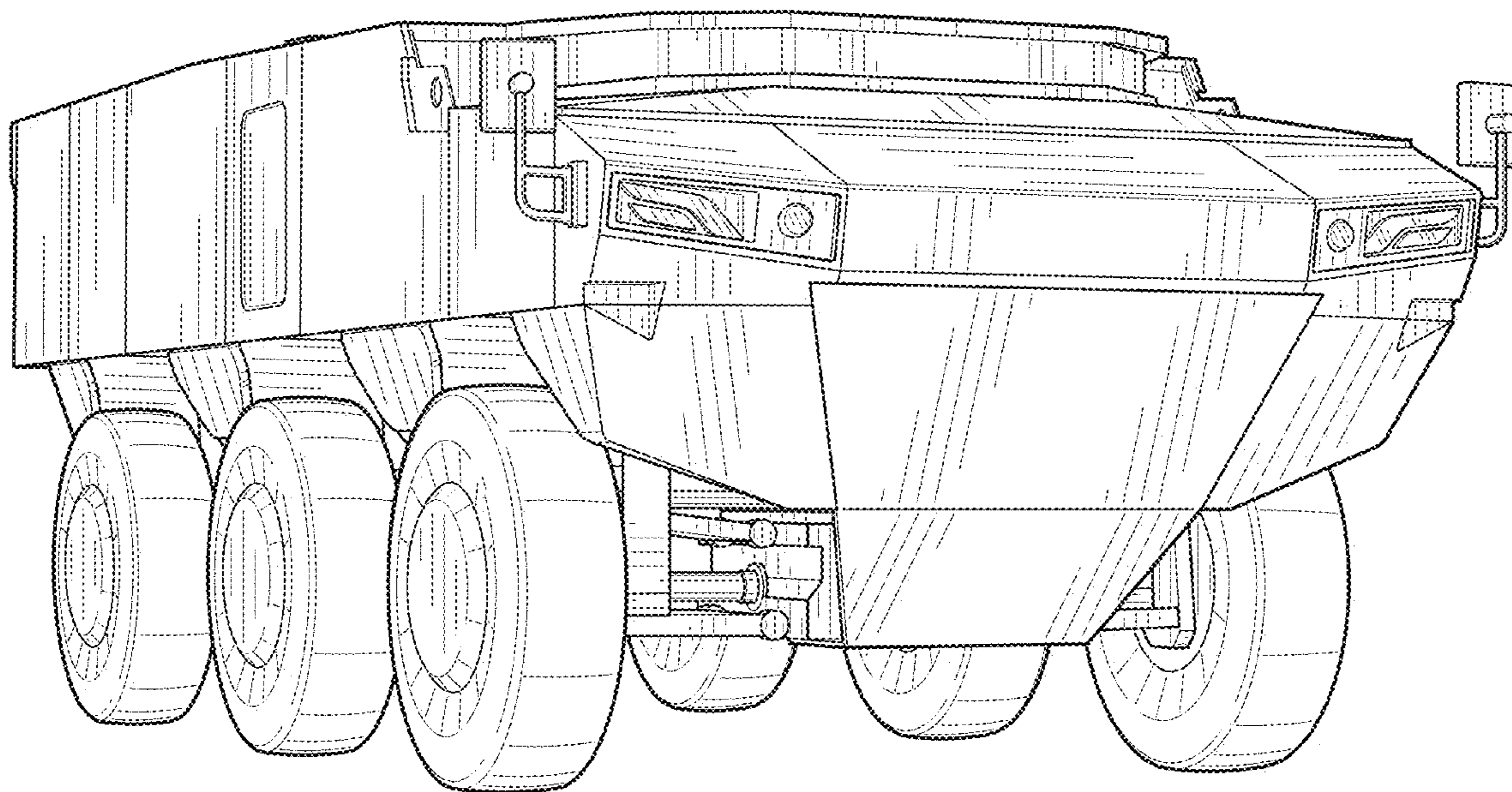


FIG. 6