



US00D954596S

(12) **United States Design Patent** (10) **Patent No.:** **US D954,596 S**
Li et al. (45) **Date of Patent:** **** Jun. 14, 2022**

(54) **GROW BOX**

(71) Applicant: **4D BIOS Co., Ltd.**, Zhejiang (CN)

(72) Inventors: **Xin Li**, Zhejiang (CN); **Xing Wang**, Zhejiang (CN)

(73) Assignee: **4D BIOS Co., Ltd.**, Hangzhou (CN)

(**) Term: **15 Years**

(21) Appl. No.: **29/719,969**

(22) Filed: **Jan. 9, 2020**

(30) **Foreign Application Priority Data**

Jul. 10, 2019 (CN) 201930365656.7

(51) **LOC (13) Cl.** **11-02**

(52) **U.S. Cl.**

USPC **D11/144; D26/55**

(58) **Field of Classification Search**

USPC D26/24, 26, 37-52, 55, 58, 61-65, 87,
D26/92-93, 101-102, 113, 118, 127;
D11/143-145, 152, 155; D30/104

CPC A01G 7/045; A01G 9/249; A01G 9/20;
A01G 7/00; A01G 22/05; A01G 31/00;
A01G 31/02; A01G 7/06; A01G 22/15;
A01G 7/04; A01G 22/40; A01G 22/60;
A01G 9/00; A01G 9/16; A01G 9/18;
A01G 9/243; A01G 9/246; A01G
2031/006; A01G 22/25; A01G 22/35;
A01G 22/63; A01G 25/167; A01G 27/00;
A01G 31/06; A01G 33/00; A01G 7/02;
A01G 9/02; A01G 9/14; Y02P 60/14;
Y02P 60/12; Y02P 60/124; Y02P 60/21;
Y02P 60/216; F21Y 2115/10; F21Y
2113/13; F21Y 2103/10; F21Y 2113/10;
F21Y 2105/00; F21Y 2105/10; F21Y
2115/00

See application file for complete search history.

(56) **References Cited**

U.S. PATENT DOCUMENTS

D323,794 S * 2/1992 Wianecki D11/144
D416,102 S * 11/1999 Schulman D11/144
D604,197 S * 11/2009 Bissonnette D11/144
8,261,486 B2 * 9/2012 Bissonnette A01G 27/003
47/59 R

(Continued)

OTHER PUBLICATIONS

How To: Click and Grow Smart Garden 3 Set-Up. By Click and Grow. Dated Mar. 28, 2017. Found online [Sep. 22, 2021]. <https://www.youtube.com/watch?v=dCIFt8qNT3Y> (Year: 2017).*

(Continued)

Primary Examiner — Marissa J Cash

Assistant Examiner — William B Melliar

(57) **CLAIM**

The ornamental design for a grow box, as shown and described.

DESCRIPTION

FIG. 1 is a front elevational view of a grow box showing our new design;

FIG. 2 is a rear elevational view thereof;

FIG. 3 is a left side view thereof;

FIG. 4 is a right side view thereof;

FIG. 5 is a top plan view thereof;

FIG. 6 is a bottom plan view thereof;

FIG. 7 is a top, front and left side perspective view thereof;

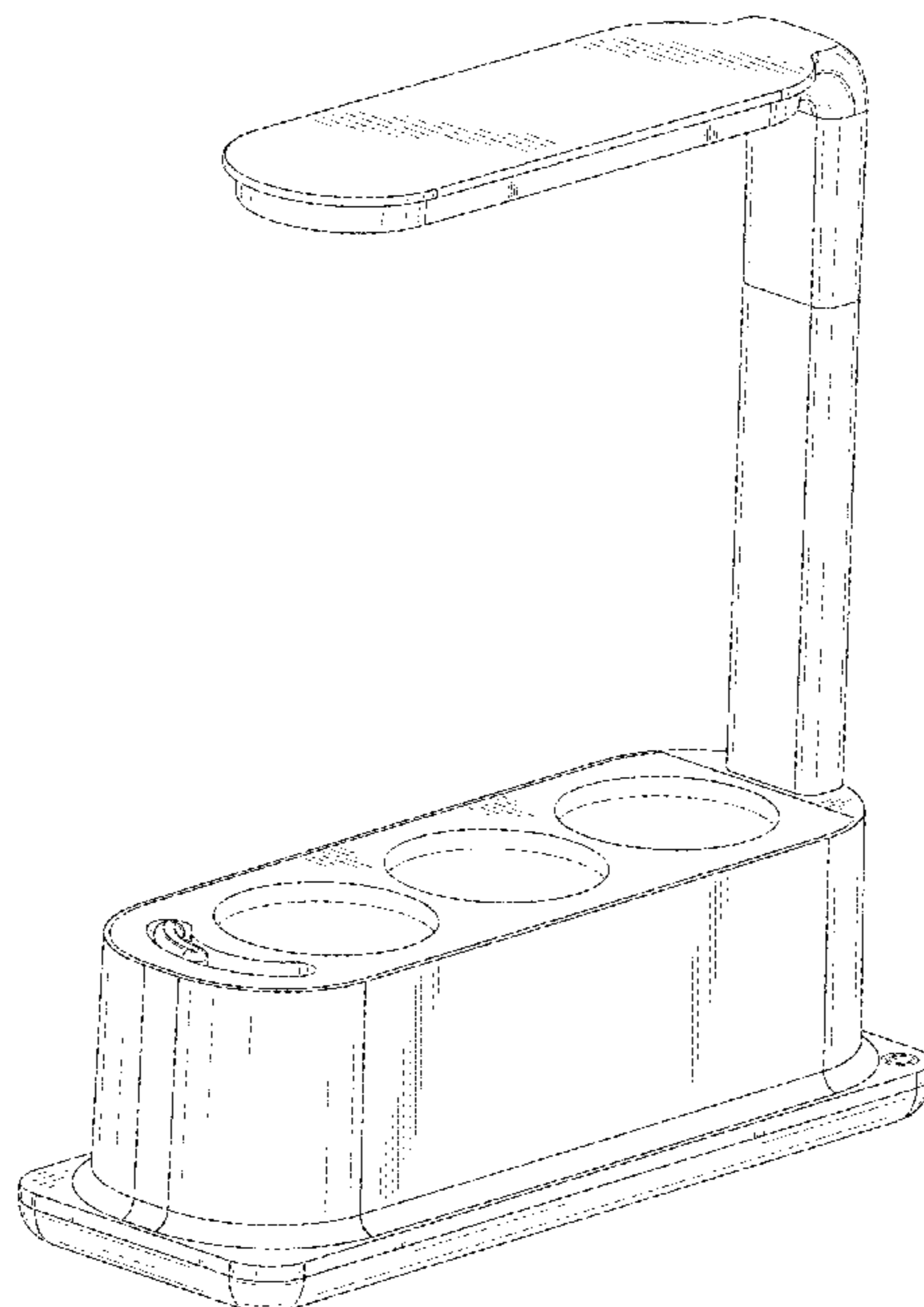
FIG. 8 is a top, front and right side perspective view thereof;

and,

FIG. 9 is a top, front and left side perspective view showing the grow box in an alternate environment of use.

The broken lines in the drawings depict portions of the grow box that form no part of the claimed design. The additional broken lines shown in FIG. 9 depict environment only and form no part thereof.

1 Claim, 8 Drawing Sheets



(56)

References Cited

U.S. PATENT DOCUMENTS

D693,520 S * 11/2013 Xu D30/104
D693,521 S * 11/2013 Xu D30/104
D713,284 S * 9/2014 Prinster A01G 31/02
D11/143
D840,076 S * 2/2019 Hart D26/55
D888,603 S * 6/2020 Tong D11/144
2007/0271841 A1* 11/2007 Bissonnette A01G 31/02
47/61
2019/0327911 A1* 10/2019 Montagano A01G 9/16

OTHER PUBLICATIONS

Hydroponics Growing System. By ShungRu. Dated Sep. 11, 2018.
Found online [Sep. 22, 2021]. <https://www.amazon.com/Hydroponics-Growing-Reading-Shortage-Spectrum/dp/B07H923DQH> (Year: 2018).*

* cited by examiner

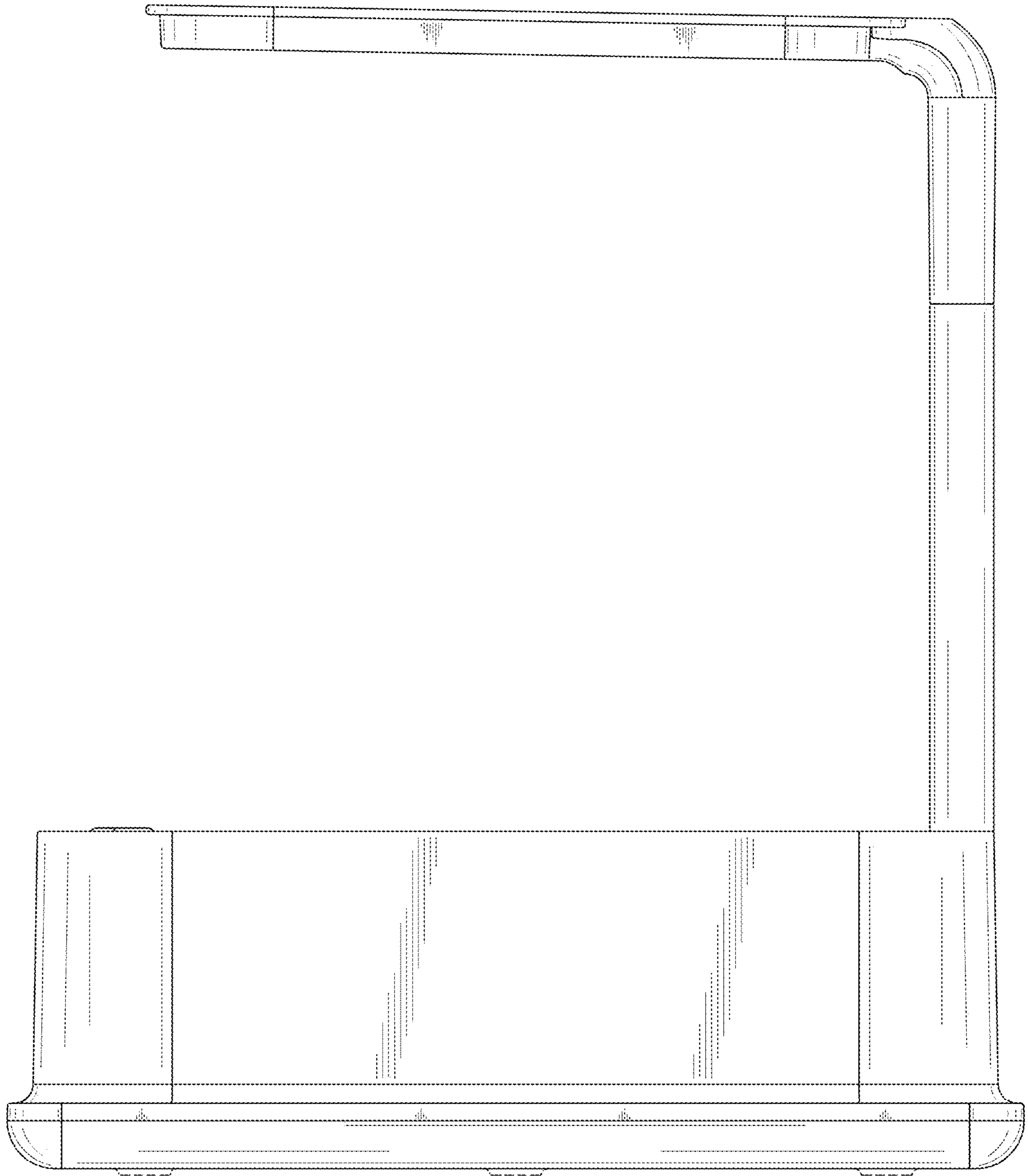


FIG. 1

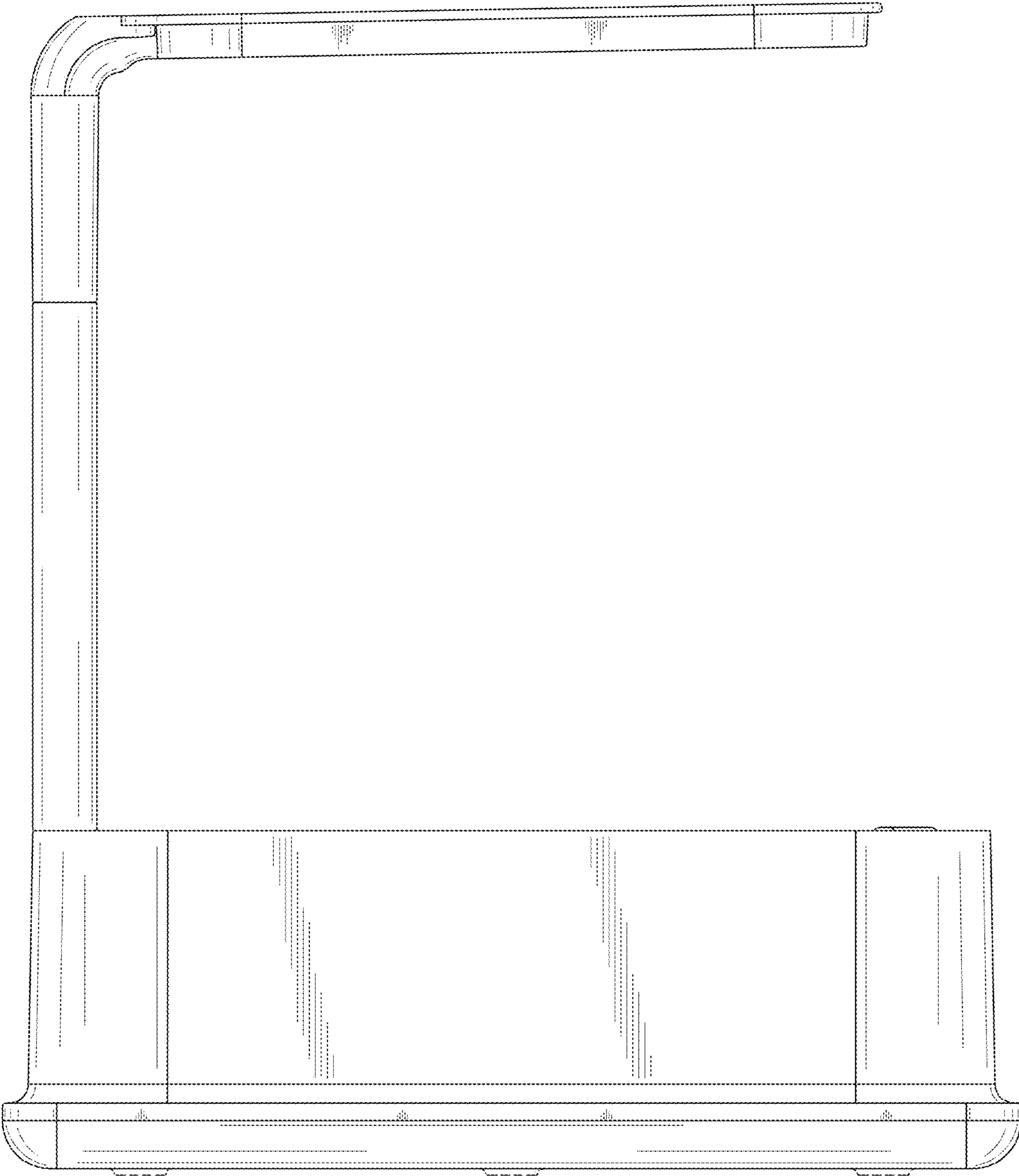


FIG.2

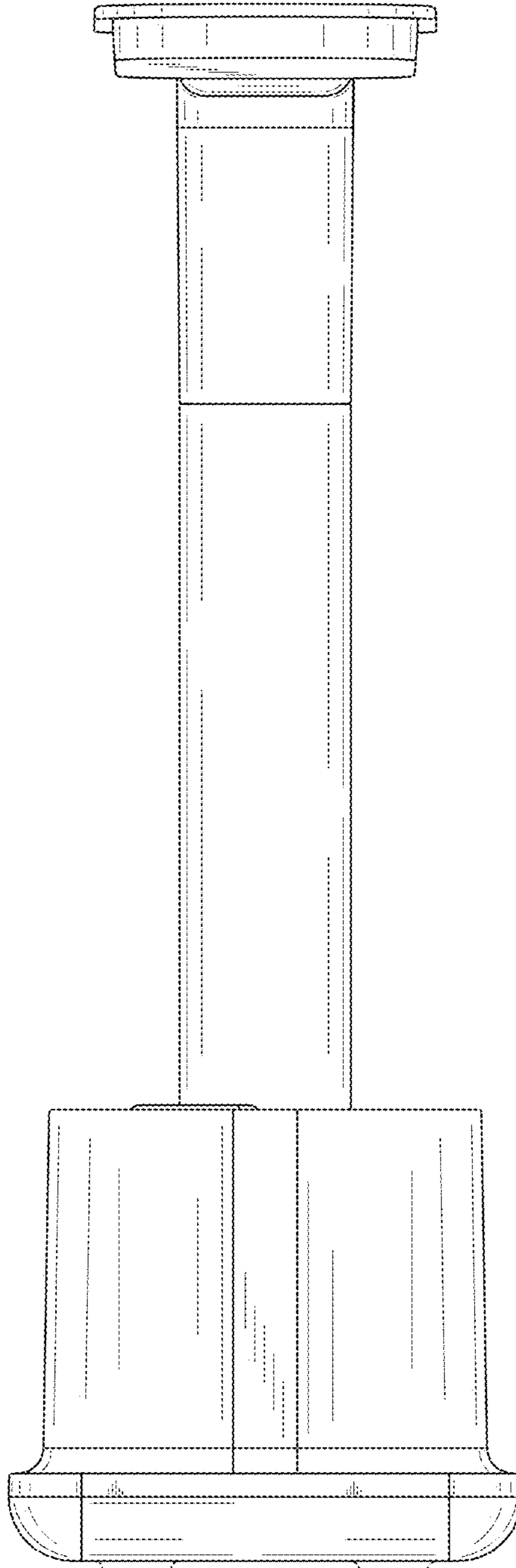


FIG.3

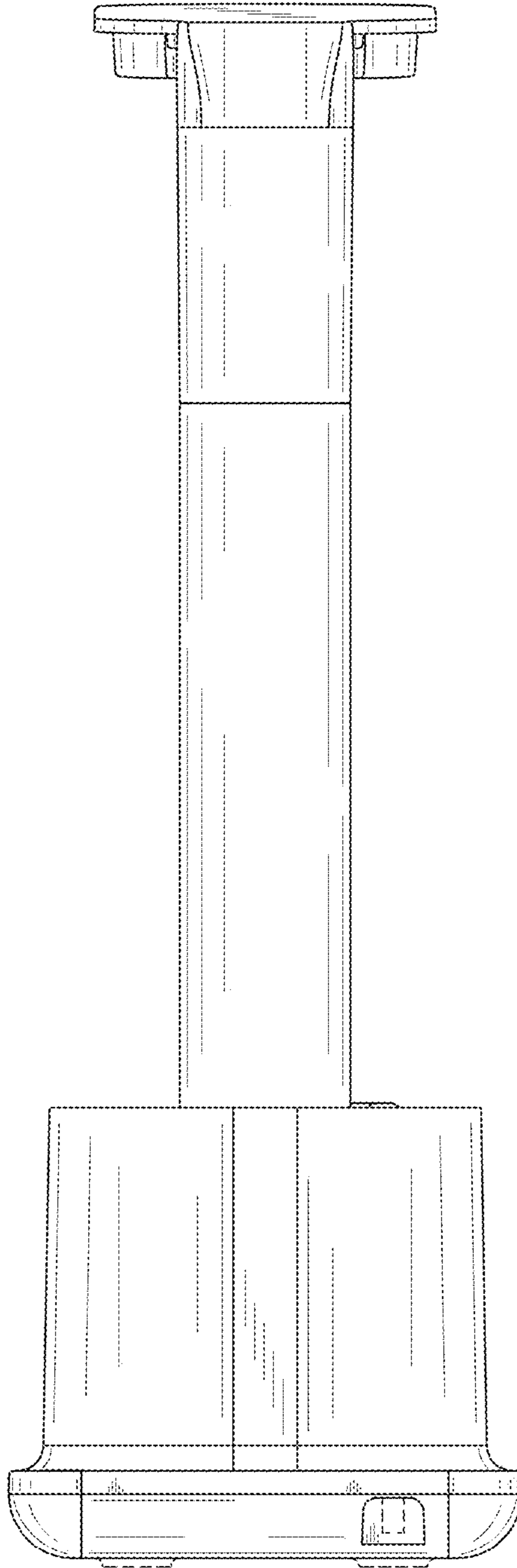


FIG.4

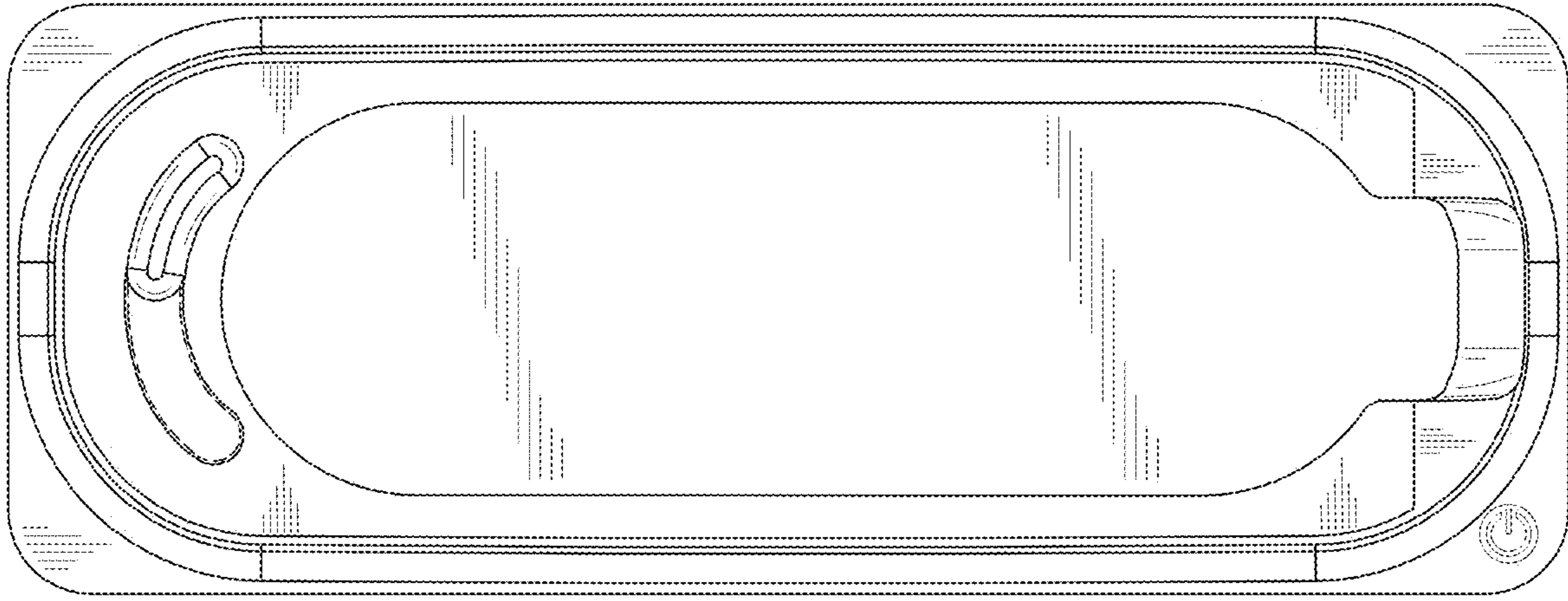


FIG. 5

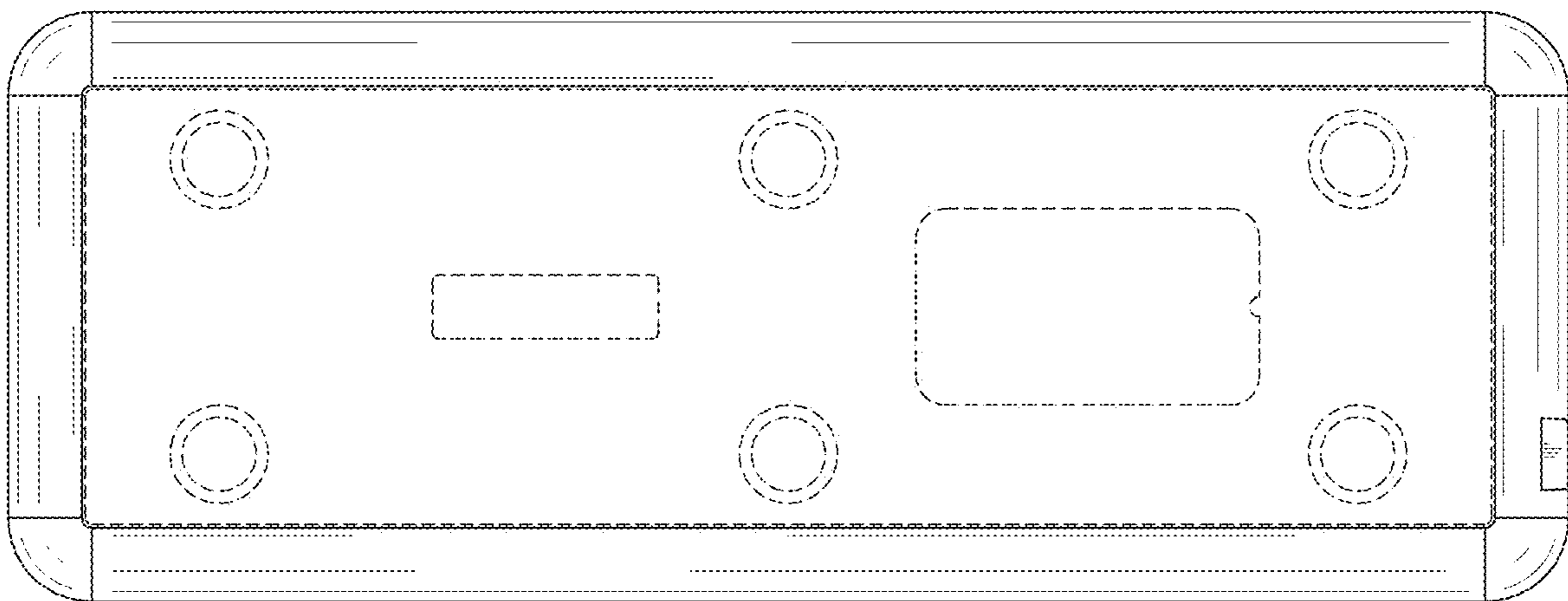


FIG. 6

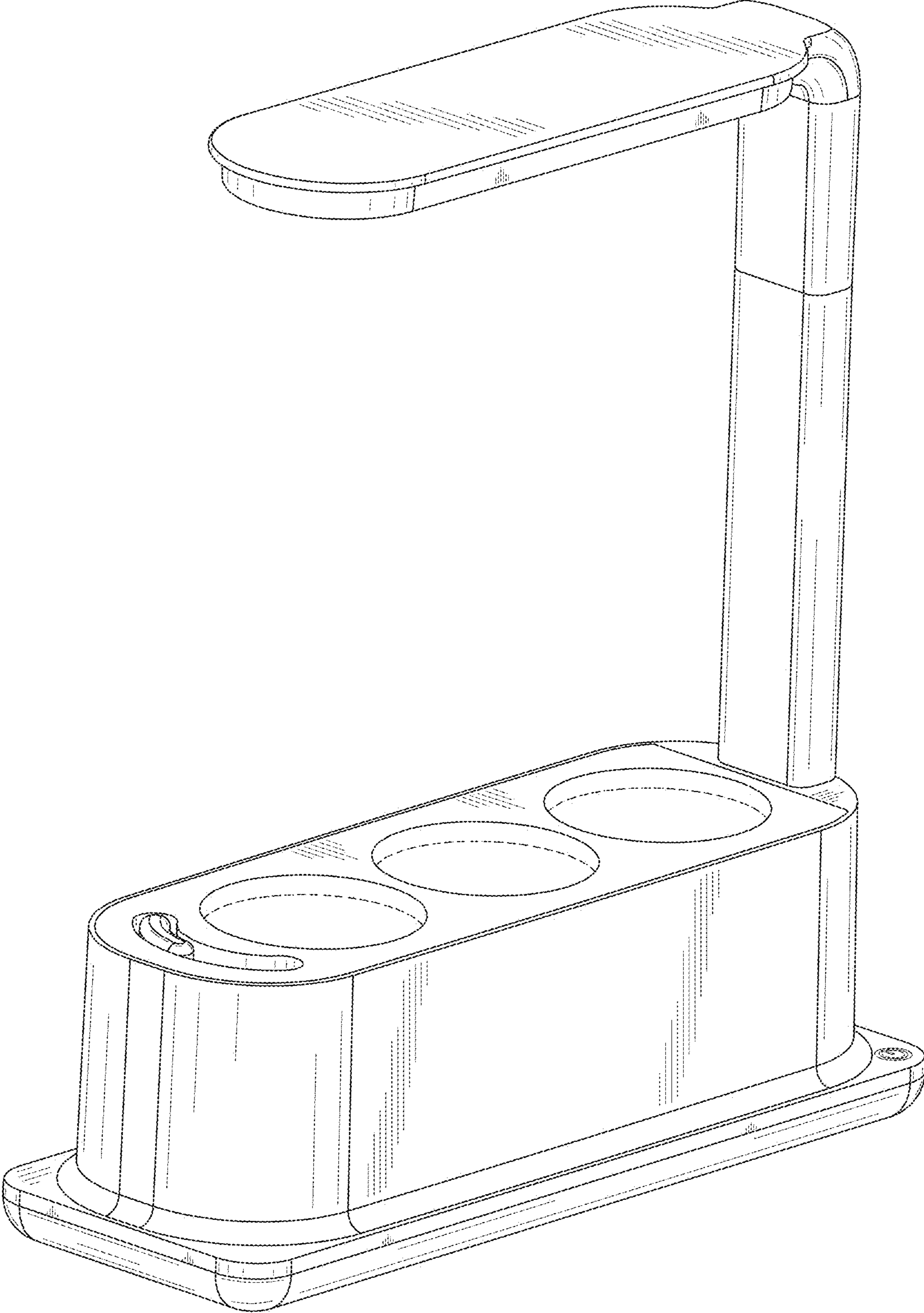


FIG. 7

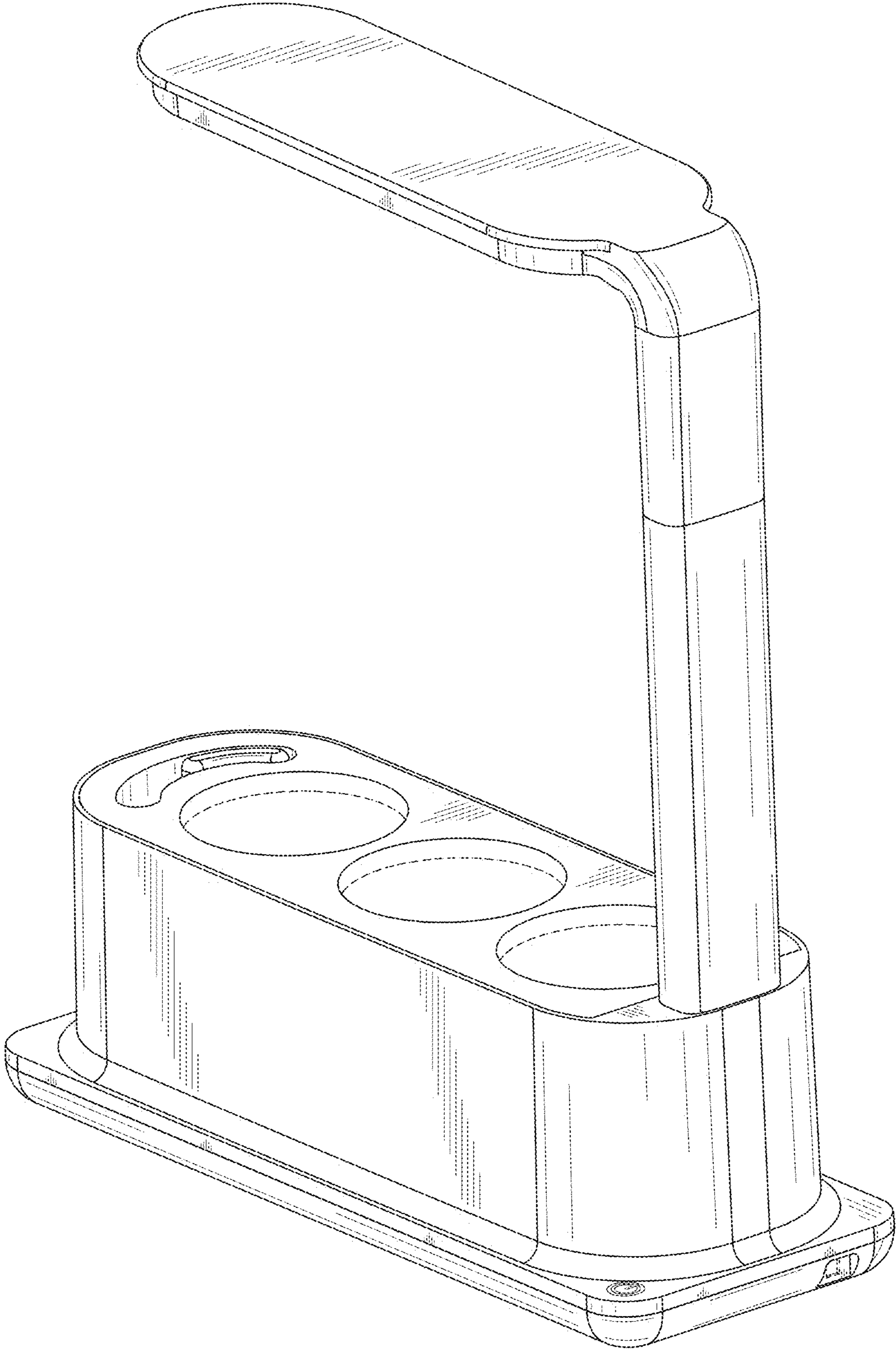


FIG.8

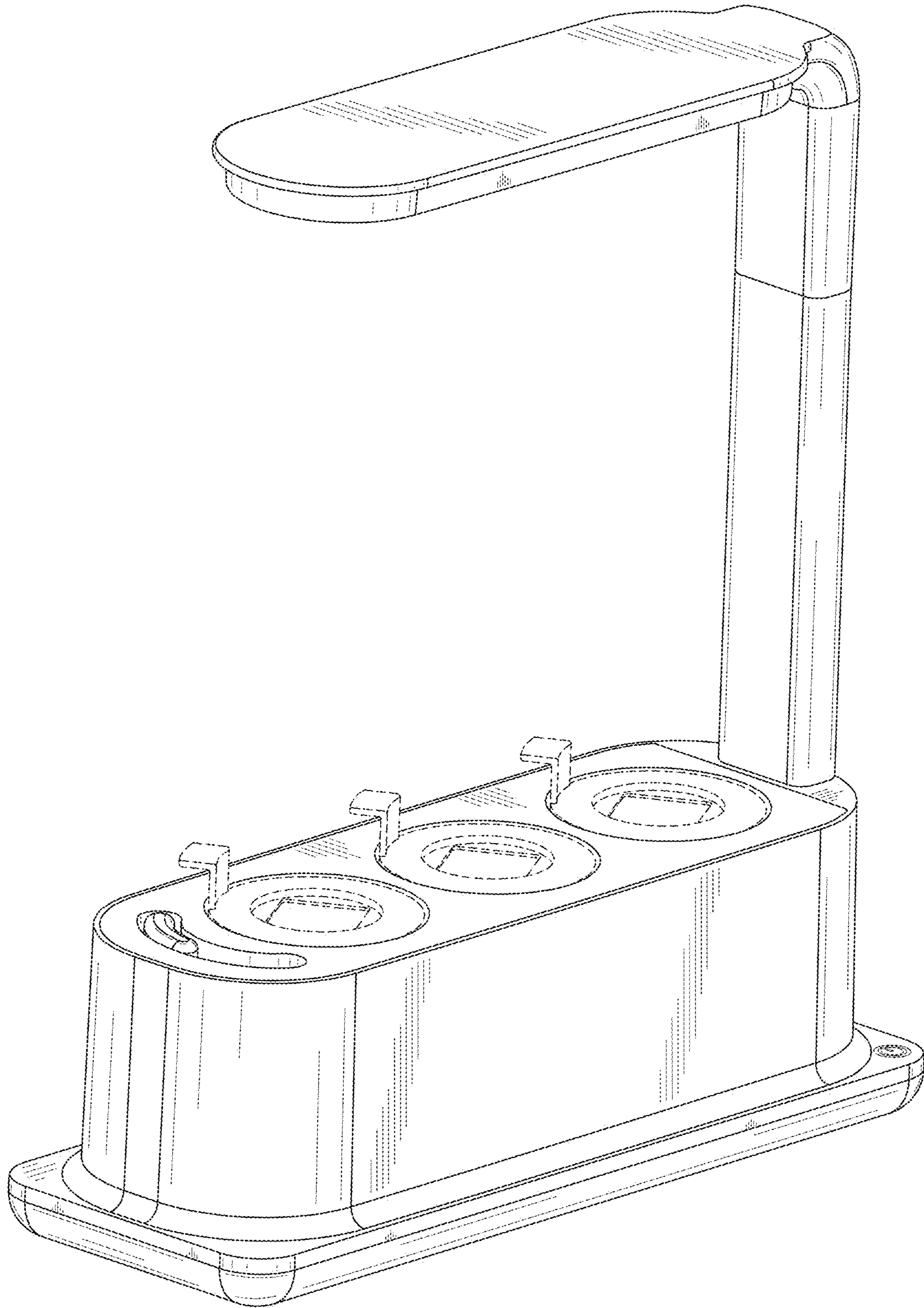


FIG.9