



US00D954595S

(12) **United States Design Patent**
Miller

(10) **Patent No.:** **US D954,595 S**

(45) **Date of Patent:** **** Jun. 14, 2022**

(54) **ARTIFICIAL BRANCH**

(71) Applicant: **Hightower Products LLC**, Sugarcreek, OH (US)

(72) Inventor: **Paul Miller**, Sugarcreek, OH (US)

(73) Assignee: **HIGHTOWER PRODUCTS LLC**, Sugarcreek, OH (US)

(**) Term: **15 Years**

(21) Appl. No.: **29/729,834**

(22) Filed: **Mar. 30, 2020**

(51) **LOC (13) Cl.** **11-04**

(52) **U.S. Cl.**
USPC **D11/117**

(58) **Field of Classification Search**
USPC D11/117, 118, 121, 125, 131, 157;
D26/24, 93, 94, 101, 110
CPC A47G 33/04; A47G 33/06; A47G
2033/0827; F21S 6/00; F21S 6/002; F21S
8/036; F21V 21/02; F21V 21/10; F21W
2121/00
See application file for complete search history.

D894,784 S * 9/2020 Huang D11/118
D896,689 S * 9/2020 Huang D26/101
D917,771 S * 4/2021 Wang D26/101
D919,162 S * 5/2021 Qu D26/101
D919,873 S * 5/2021 Qu D26/101
D935,682 S * 11/2021 Wang D26/101

OTHER PUBLICATIONS

LED Snowy Tabletop Artificial Birch Tree, <https://www.plowhearth.com/en/indoor-living/home-accents/decorative-pillows/indoor-outdoor-woodland-hooked-pillow-with-squirrel/p/p/R1952,2020>. (Year: 2020).
Medium Indoor/Outdoor Birch Tree with 400 Warm White Lights—Brown, https://www.plowhearth.com/p/65J02%20BR?aff=6443&aff=6443&gclid=EAlalQobChMI24T25tWI9AIV9QalCR1xPAPhEakYByABEgIj4vD_BwE,2021. (Year: 2021).
Tree branch, https://www.alibaba.com/product-detail/Tree-branch_133579551.html,2022. (Year: 2022).
Artificial trunk, without leaves, with branches, 215cm, <https://www.topart-online.com/en/Artificial-trunk%2C-without-leaves%2C--with-branches%2C-215cm/c-KAT153/a-910215TR,2022>. (Year: 2022).

* cited by examiner

Primary Examiner — Elizabeth J Oswecki
(74) *Attorney, Agent, or Firm* — Mark C. Johnson;
Johnson Dalal

(57) **CLAIM**

The ornamental design for an artificial branch, as shown and described.

DESCRIPTION

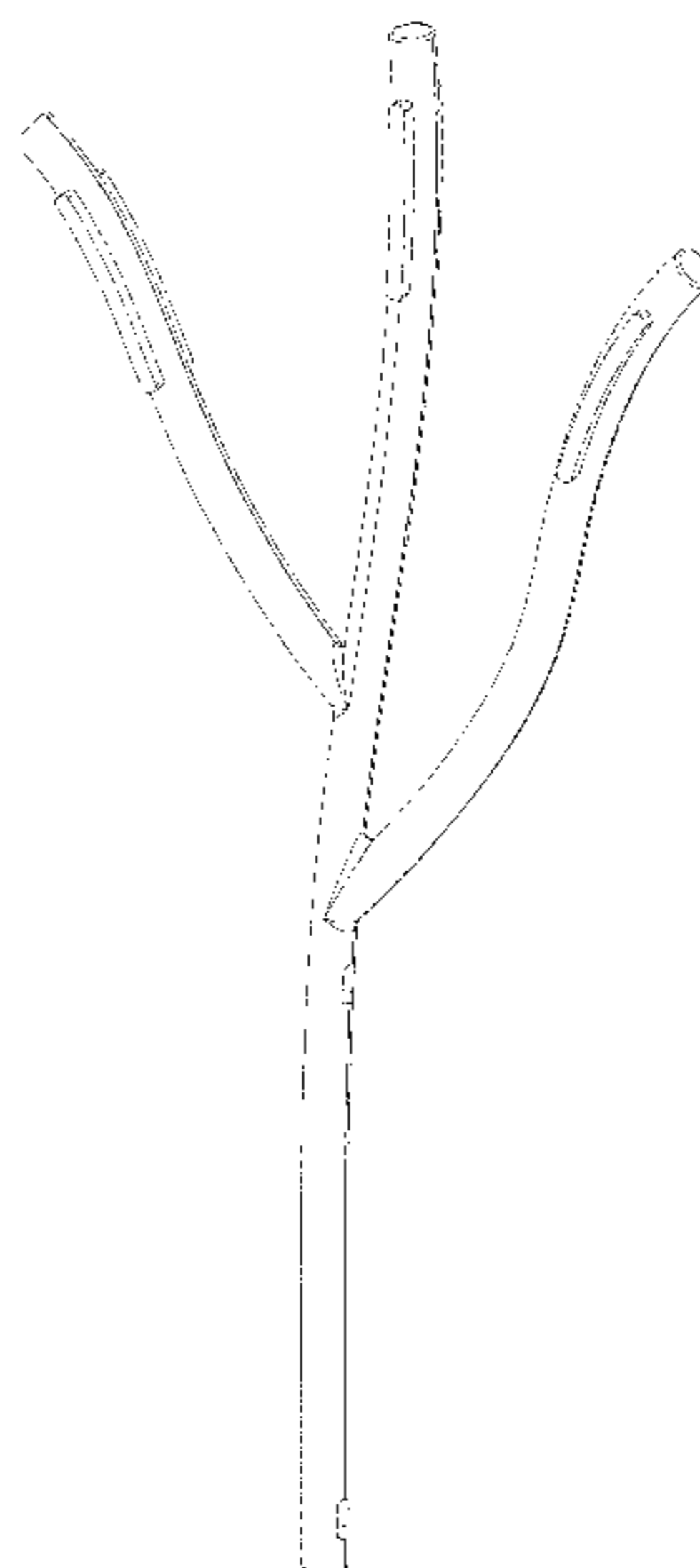
FIG. 1 is a front perspective view of an artificial tree branch, showing my new design;
FIG. 2 is a front elevational view thereof;
FIG. 3 is a rear elevational view thereof;
FIG. 4 is a top plan view thereof;
FIG. 5 is a bottom plan view thereof;
FIG. 6 is a left side elevational view thereof; and,
FIG. 7 is a right side elevational view thereof.

1 Claim, 5 Drawing Sheets

(56) **References Cited**

U.S. PATENT DOCUMENTS

D143,745 S * 2/1946 Miller 428/18
2,565,700 A * 8/1951 Schiller A47F 5/04
D11/118
D197,289 S * 1/1964 Monkarsh D11/151
3,564,732 A * 2/1971 Lynd G09B 17/00
434/167
D460,719 S * 7/2002 Lewis D11/118
D475,320 S * 6/2003 Hensley D11/118
D507,989 S * 8/2005 Lamb D11/118
D621,635 S * 8/2010 Murphy D11/118
D655,944 S * 3/2012 Malinski D6/674
D773,338 S * 12/2016 Trevino D11/118
D830,719 S * 10/2018 Palumbo D6/404
D831,372 S * 10/2018 Palumbo D6/404



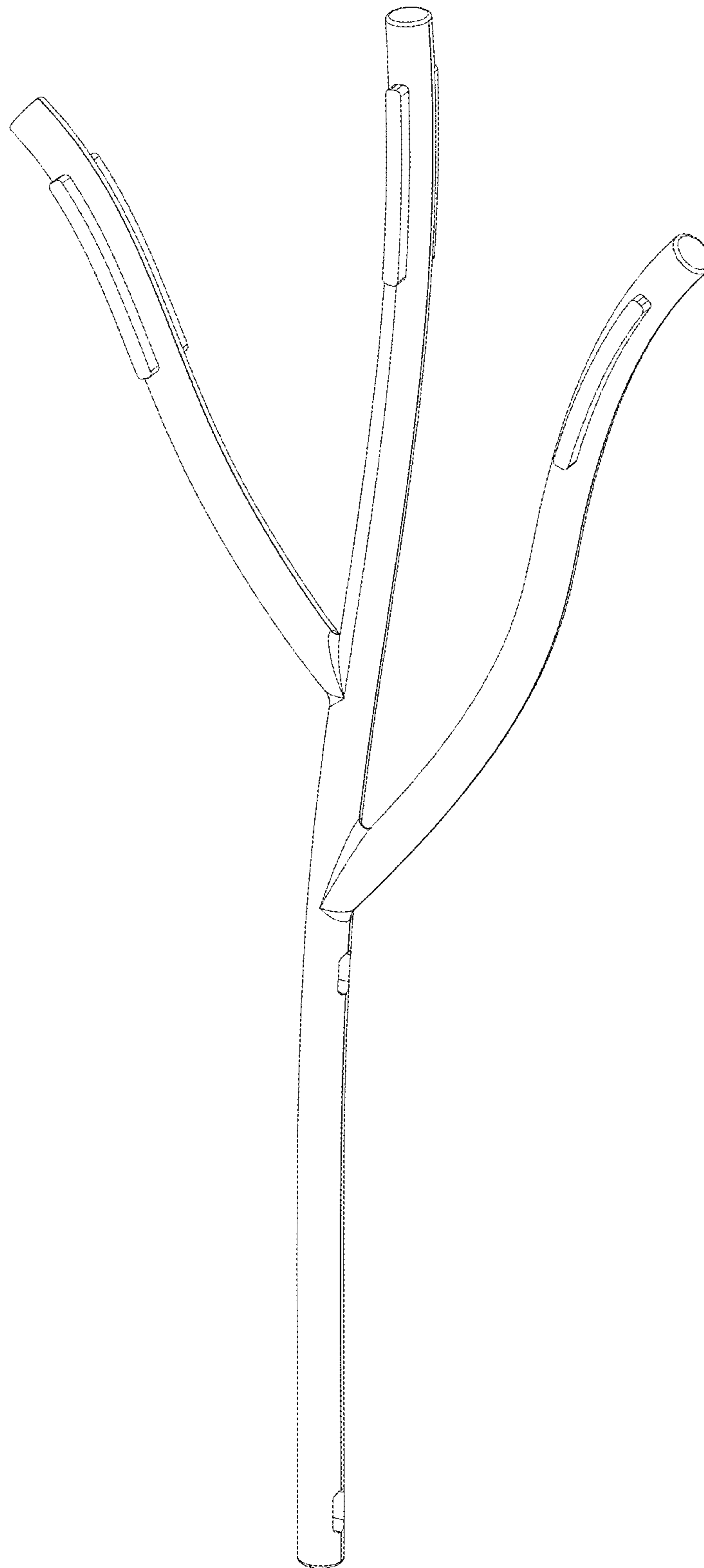


FIG. 1

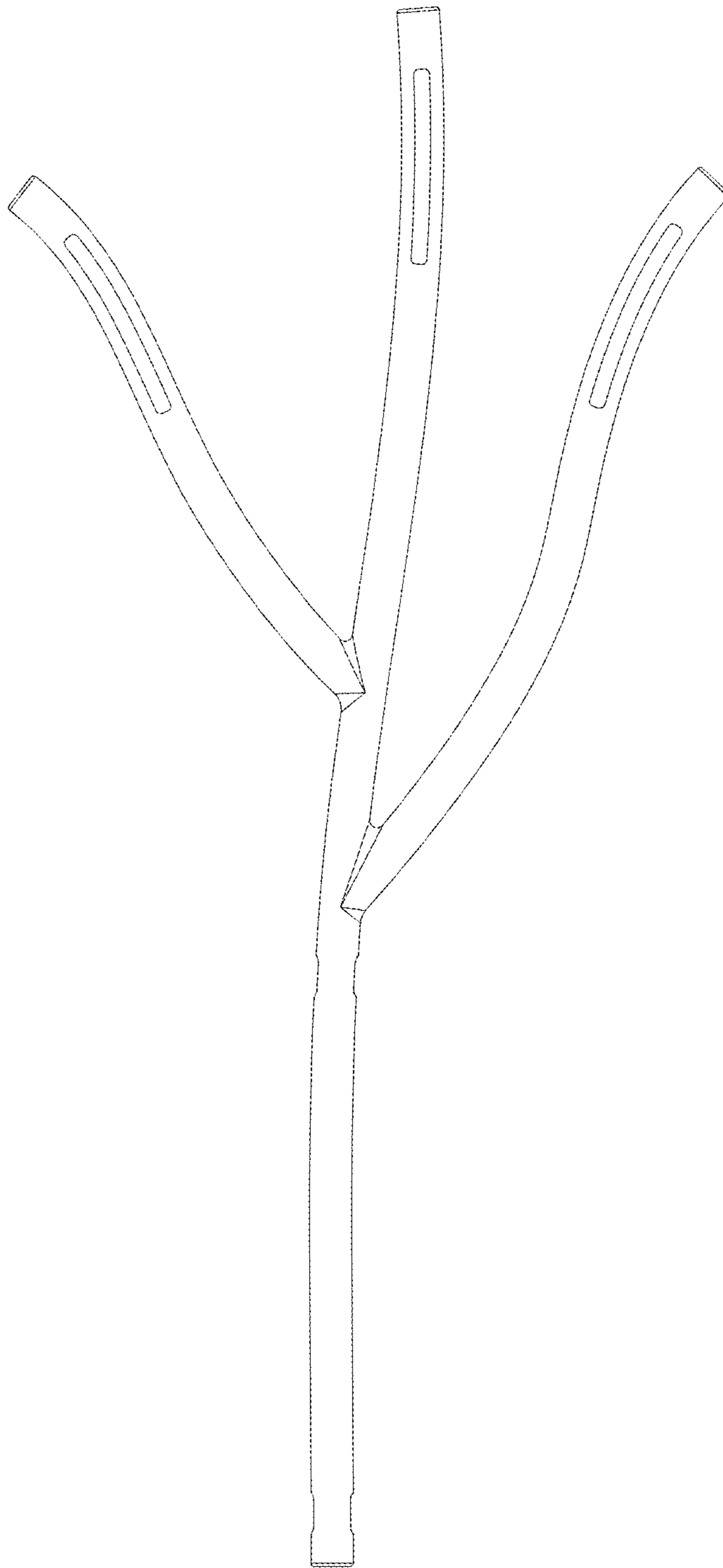


FIG. 2

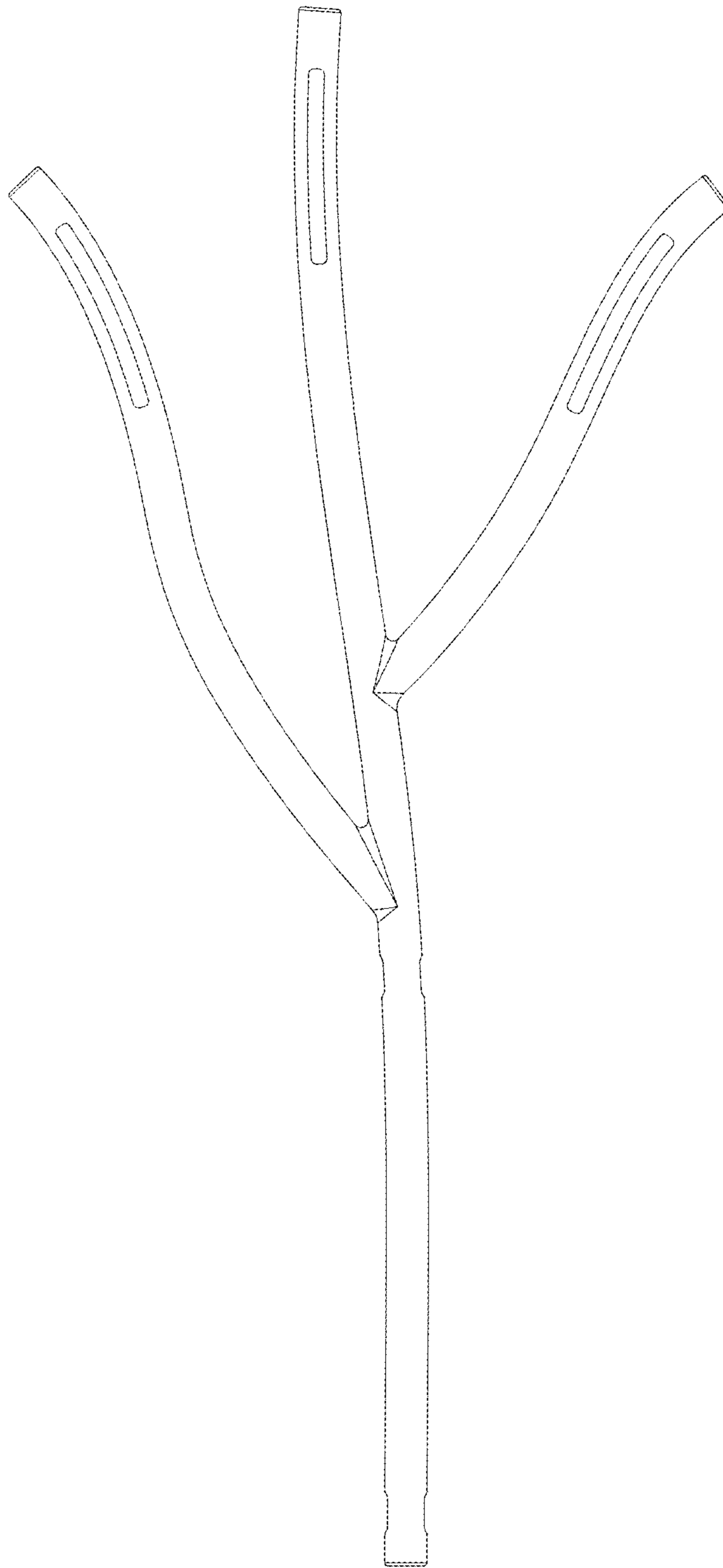


FIG. 3

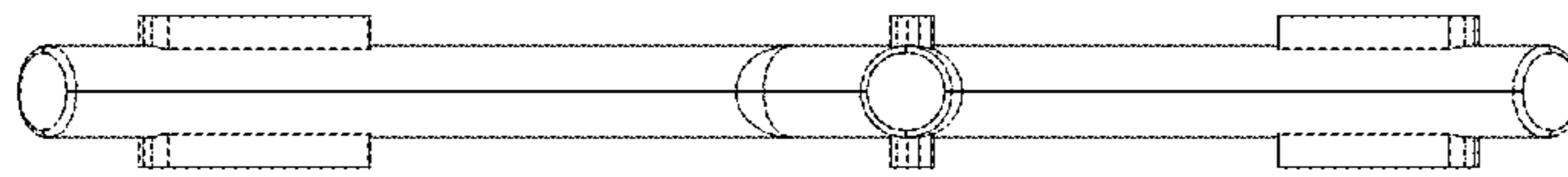


FIG. 4

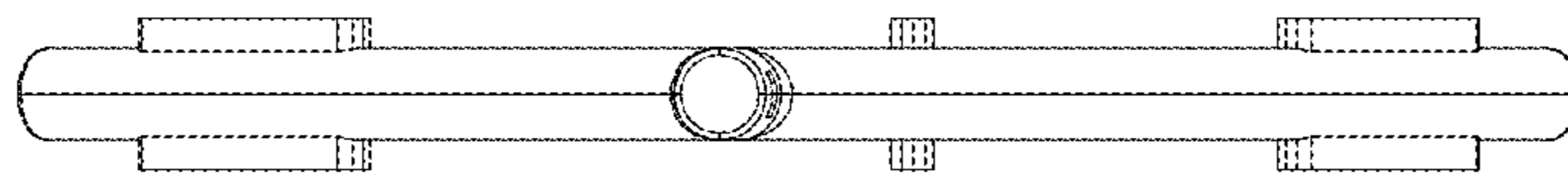


FIG. 5

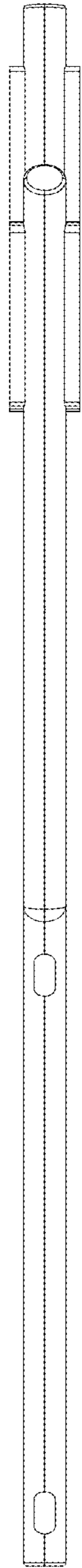


FIG. 6

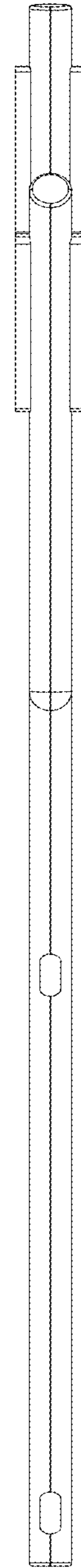


FIG. 7