

US00D954594S

(12) **United States Design Patent**
Lin

(10) **Patent No.:** **US D954,594 S**
(45) **Date of Patent:** **** Jun. 14, 2022**

- (54) **WATCH STRAP CONNECTOR**
- (71) Applicant: **Huirong Lin**, Chaozhou (CN)
- (72) Inventor: **Huirong Lin**, Chaozhou (CN)
- (**) Term: **15 Years**
- (21) Appl. No.: **29/777,376**
- (22) Filed: **Apr. 6, 2021**
- (51) **LOC (13) Cl.** **11-01**
- (52) **U.S. Cl.**
USPC **D11/94**
- (58) **Field of Classification Search**
USPC D11/1-29, 86-88, 94; D10/30, 32, 38
CPC .. A44C 5/00; A44C 5/18; A44C 5/185; A44C
5/20; A44C 5/14
See application file for complete search history.

- D869,982 S * 12/2019 Paschke D11/94
- D906,870 S * 1/2021 Devaney D11/94
- D907,524 S * 1/2021 Devaney D11/94

* cited by examiner

Primary Examiner — Zenia I Bennett

(56) **References Cited**

U.S. PATENT DOCUMENTS

D522,900 S	6/2006	Yamamoto et al.	
D644,952 S	9/2011	Rabassa	
D749,460 S *	2/2016	Akana	D11/94
D763,123 S *	8/2016	Akana	D11/94
D763,127 S *	8/2016	Akana	D11/94
D763,724 S *	8/2016	Akana	D11/94
D764,966 S *	8/2016	Akana	D11/94
D821,912 S *	7/2018	Ke	D11/94
D843,880 S *	3/2019	Akana	D11/94
D869,323 S *	12/2019	Akana	D11/94

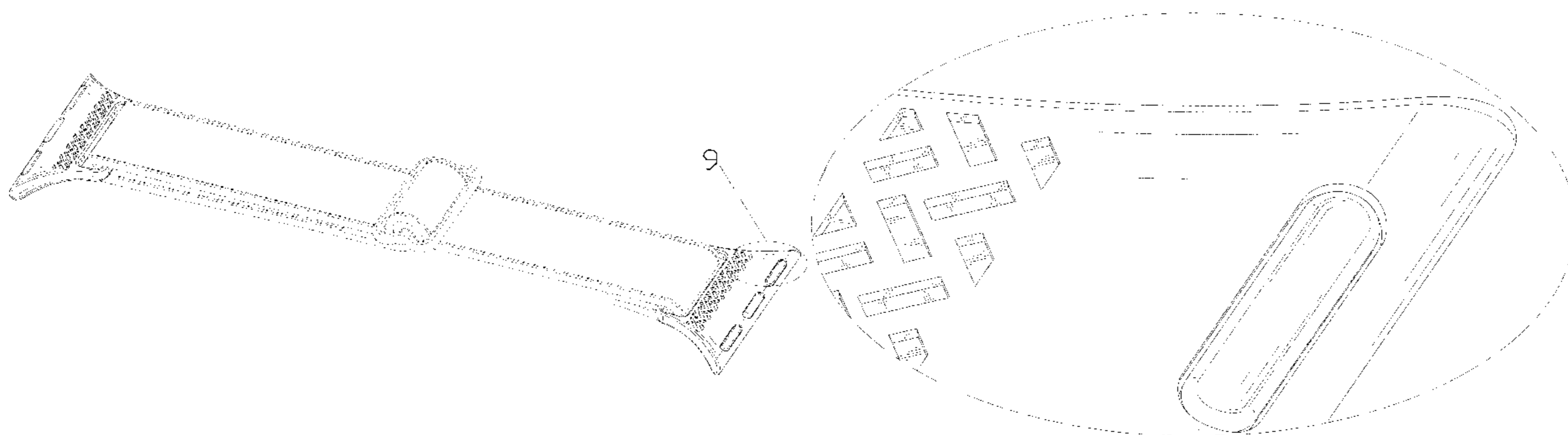
(57) **CLAIM**

The ornamental design for a watch strap connector, as shown and described.

DESCRIPTION

FIG. 1 is a perspective view of a watch strap connector, showing my new design;
 FIG. 2 is another perspective view thereof;
 FIG. 3 is a front elevational view thereof;
 FIG. 4 is a rear elevational view thereof;
 FIG. 5 is a left side elevational view thereof;
 FIG. 6 is a right side elevational view thereof;
 FIG. 7 is a top plan view thereof;
 FIG. 8 is a bottom plan view thereof;
 FIG. 9 is an enlarged view of portion 9 shown in FIG. 1; and,
 FIG. 10 is an enlarged view of portion 10 shown in FIG. 2.
 The broken lines in the drawings depict portions of the watch strap connector, that form no part of the claimed design.

1 Claim, 10 Drawing Sheets



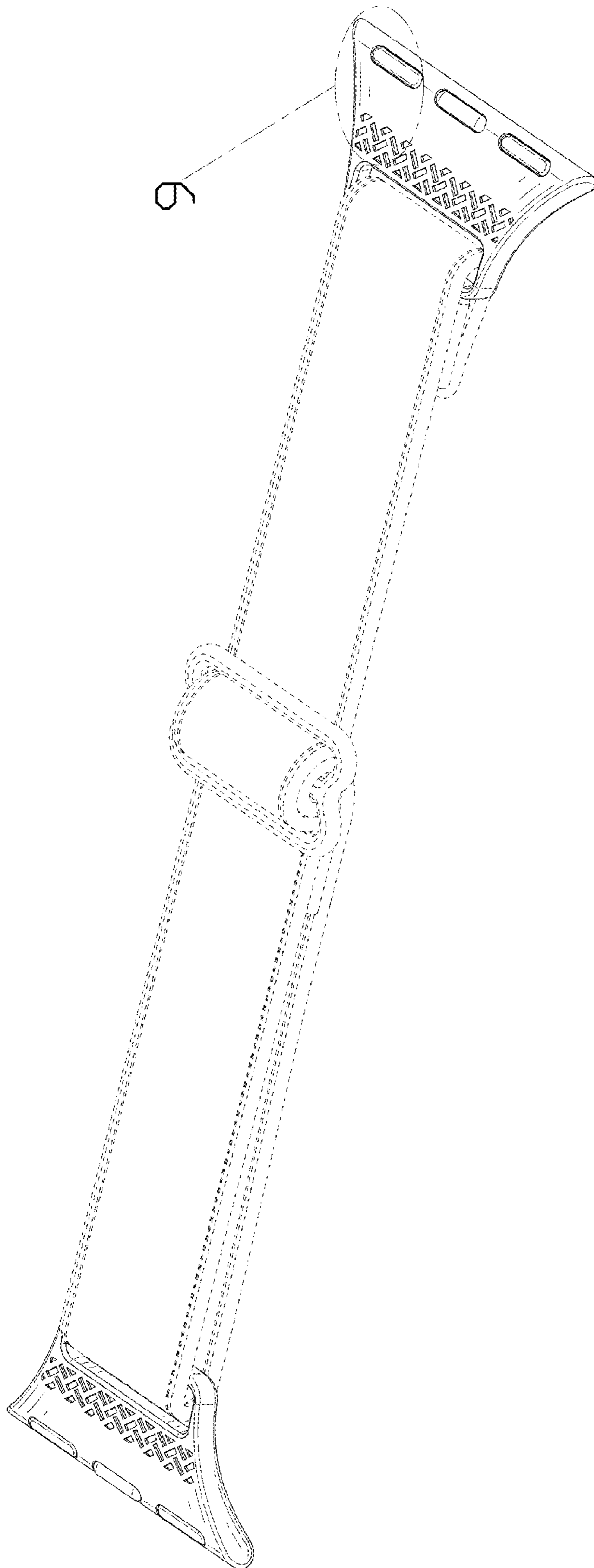


FIG. 1

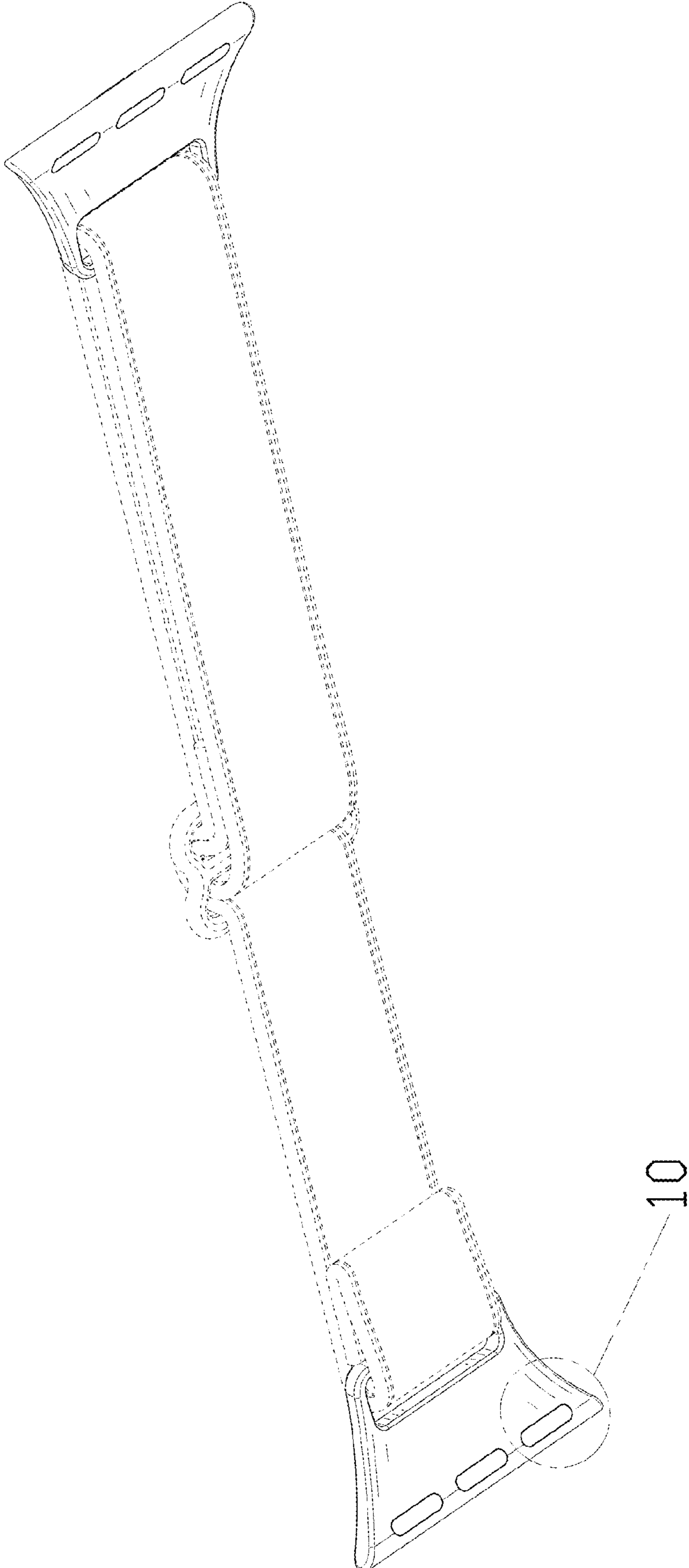


FIG. 2

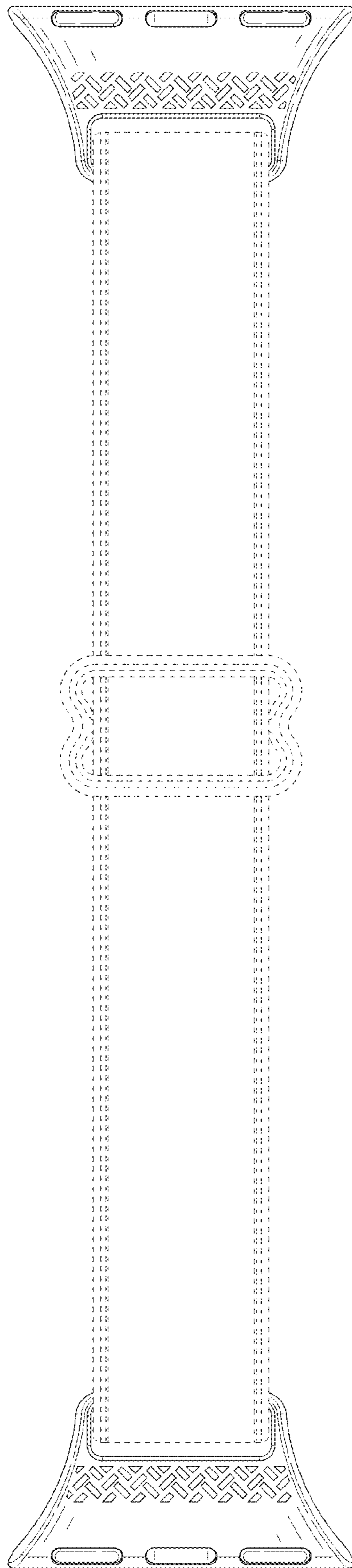


FIG. 3

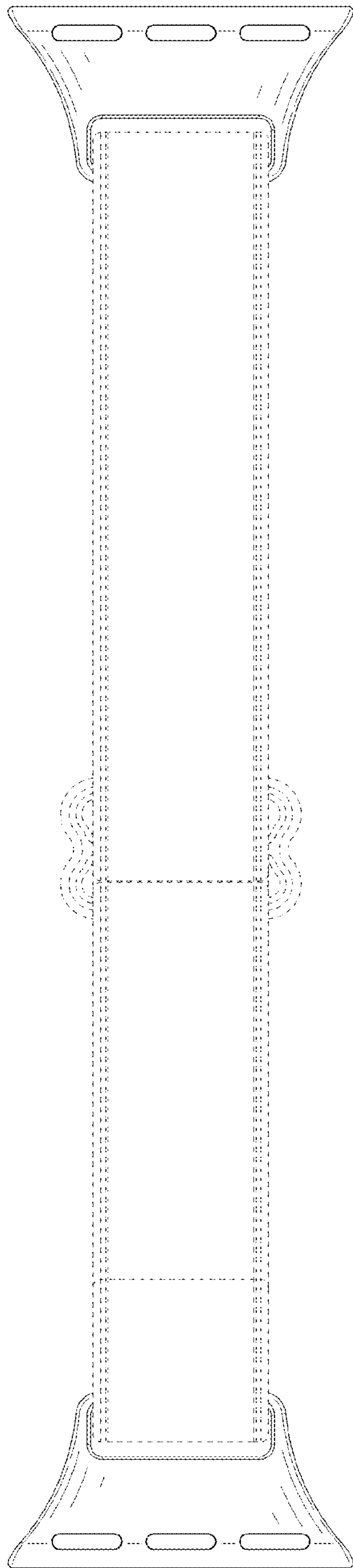


FIG. 4

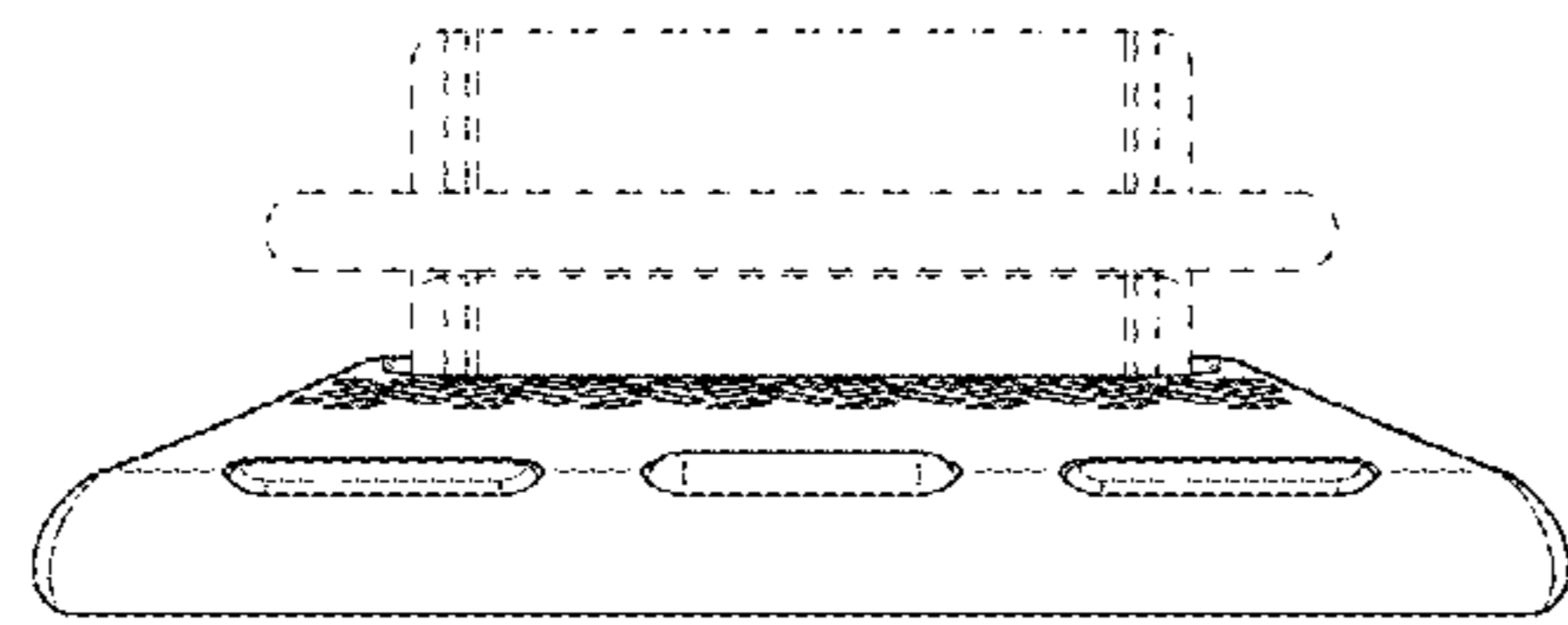


FIG. 5

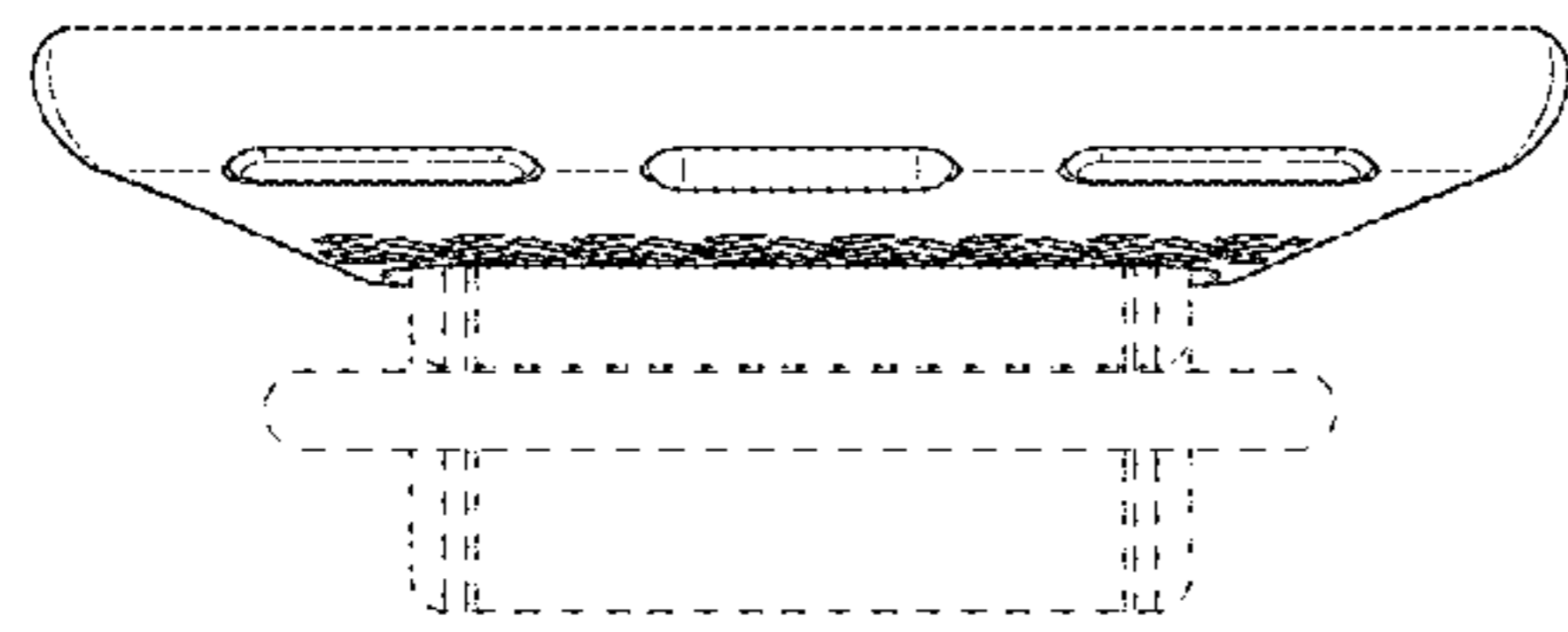


FIG. 6

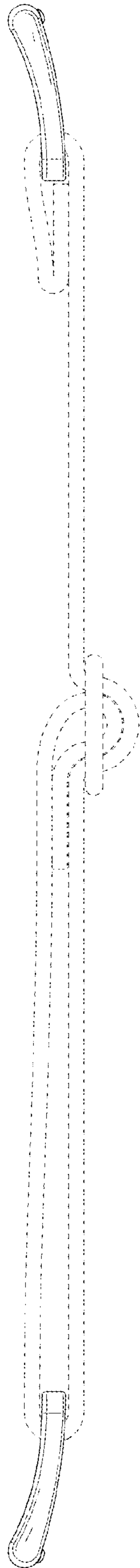


FIG. 7

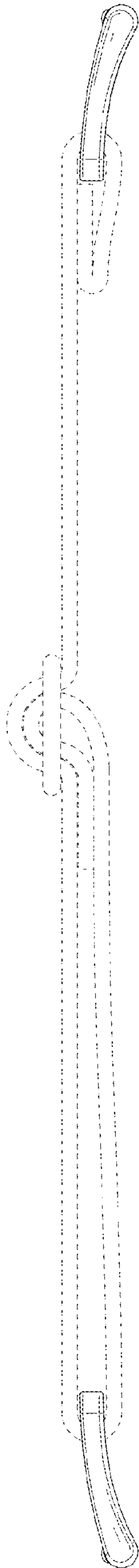


FIG. 8

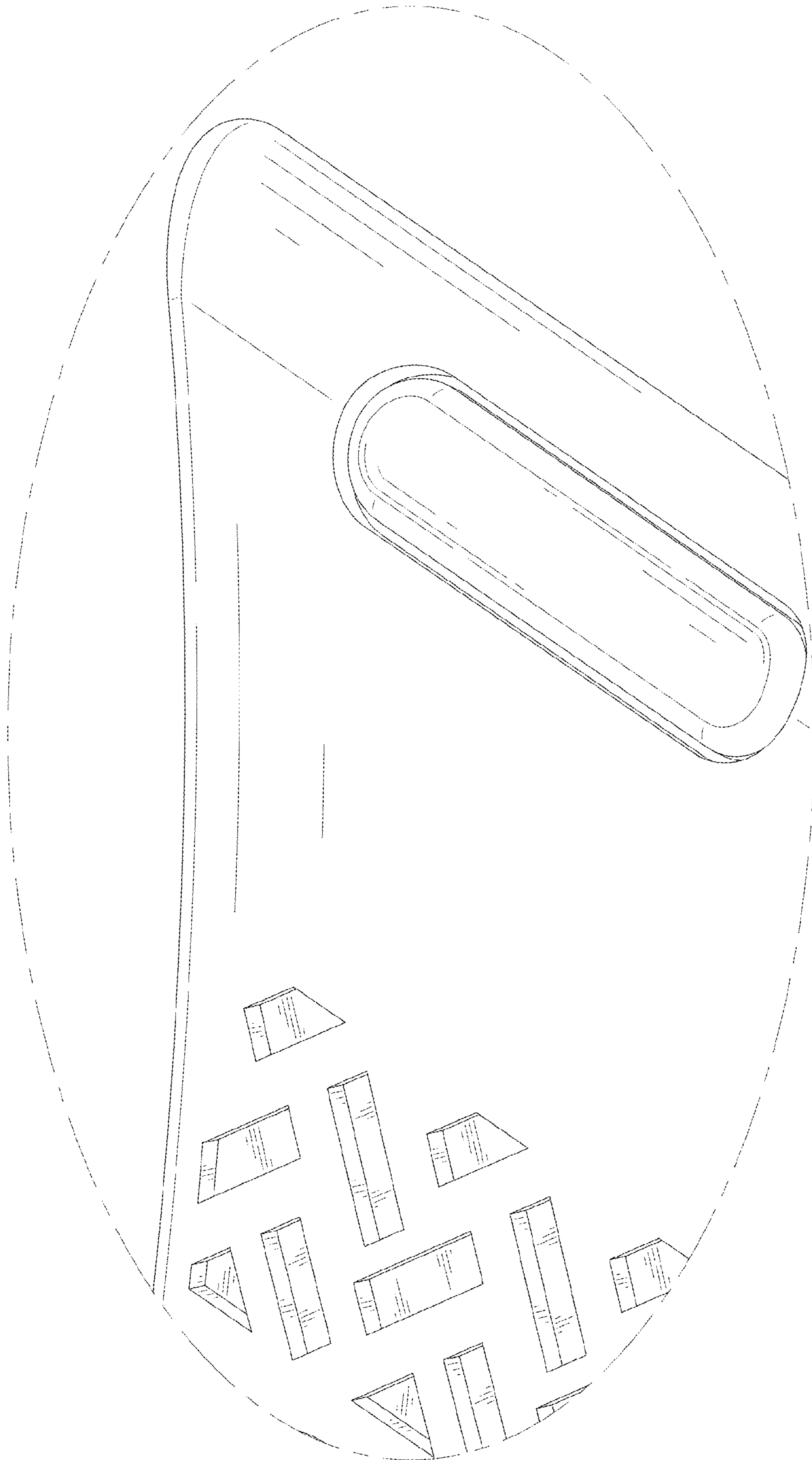


FIG. 9

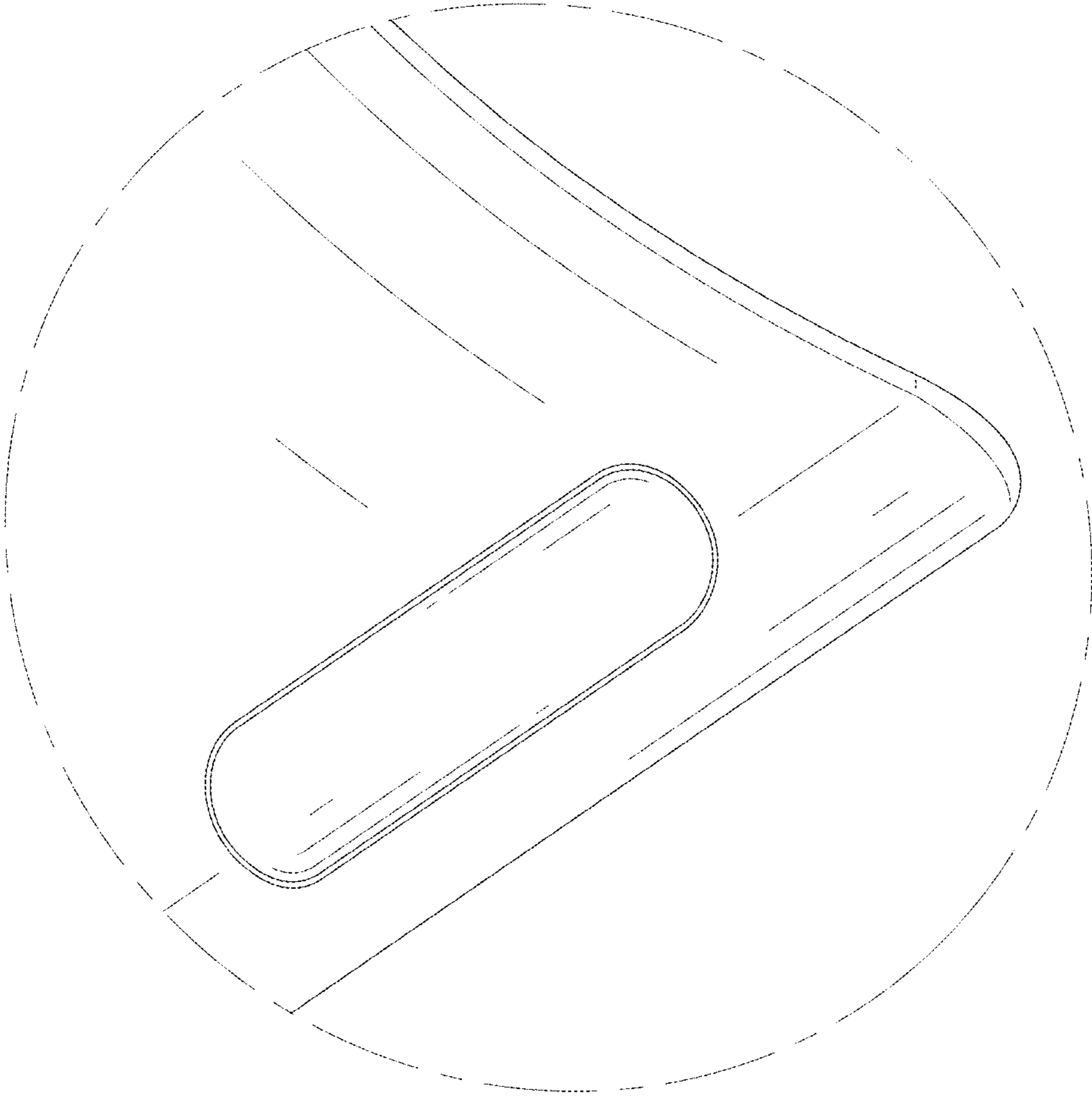


FIG. 10