



US00D954590S

(12) **United States Design Patent**
Aaron

(10) **Patent No.:** **US D954,590 S**
(45) **Date of Patent:** **** Jun. 14, 2022**

- (54) **RING**
- (71) Applicant: **TASTEFAIRY CORPORATION**, New York, NY (US)
- (72) Inventor: **Marla Beth Aaron**, New York, NY (US)
- (73) Assignee: **TASTEFAIRY CORPORATION**, New York, NY (US)

D559,144 S *	1/2008	McKenzie	D11/26
D561,633 S *	2/2008	Mouclier	D11/38
D715,676 S *	10/2014	Hoover	D10/32
D793,896 S *	8/2017	Reed, Jr.	D11/26
D830,875 S *	10/2018	Turpin	D11/4
D879,648 S *	3/2020	El Karout	D11/26
D880,340 S *	4/2020	El Karout	D11/34
D939,373 S *	12/2021	Lim	D11/26

(**) Term: **15 Years**
(21) Appl. No.: **29/682,579**

(22) Filed: **Mar. 6, 2019**
(51) **LOC (13) Cl.** **11-01**
(52) **U.S. Cl.**
USPC **D11/39**

(58) **Field of Classification Search**
USPC D11/1, 2, 3, 79, 81, 61, 26-39, 91, 92
CPC A44C 1/00; A44C 9/00; A44C 9/0007;
A44C 9/0015; A44C 9/0023; A44C
9/003; A44C 9/0038; A44C 9/0046; A44C
9/0053; A44C 9/0061; A44C 9/0069;
A44C 9/0076; A44C 9/0092; A44C 9/02;
A44C 5/00; A44C 5/0007; A44C 5/0015;
A44C 5/0023; A44C 5/003; A44C
5/0038; A44C 5/0046; A44C 5/0053;
A44C 5/0061
See application file for complete search history.

(56) **References Cited**
U.S. PATENT DOCUMENTS

D141,653 S *	6/1945	Ray-Dupuis	D11/39
D304,430 S *	11/1989	Bulgari	D11/6
D310,183 S *	8/1990	Bulgari	D11/27
D327,436 S *	6/1992	Bulgart	D11/4
D343,590 S *	1/1994	Dubs	D11/20
D534,829 S *	1/2007	Arlanda	D11/38
D551,587 S *	9/2007	McKenzie	D11/26

OTHER PUBLICATIONS

[Online] "Chubby Di Me Ring" <https://marlaaaron.com/collections/rings/products/chubby-di-me-ring?variant=39277585465427>. Retrieved Jan. 29, 2022.*

* cited by examiner

Primary Examiner — Melanie Pellegrini
(74) *Attorney, Agent, or Firm* — Clements Bernard Baratta; Lawrence A. Baratta, Jr.

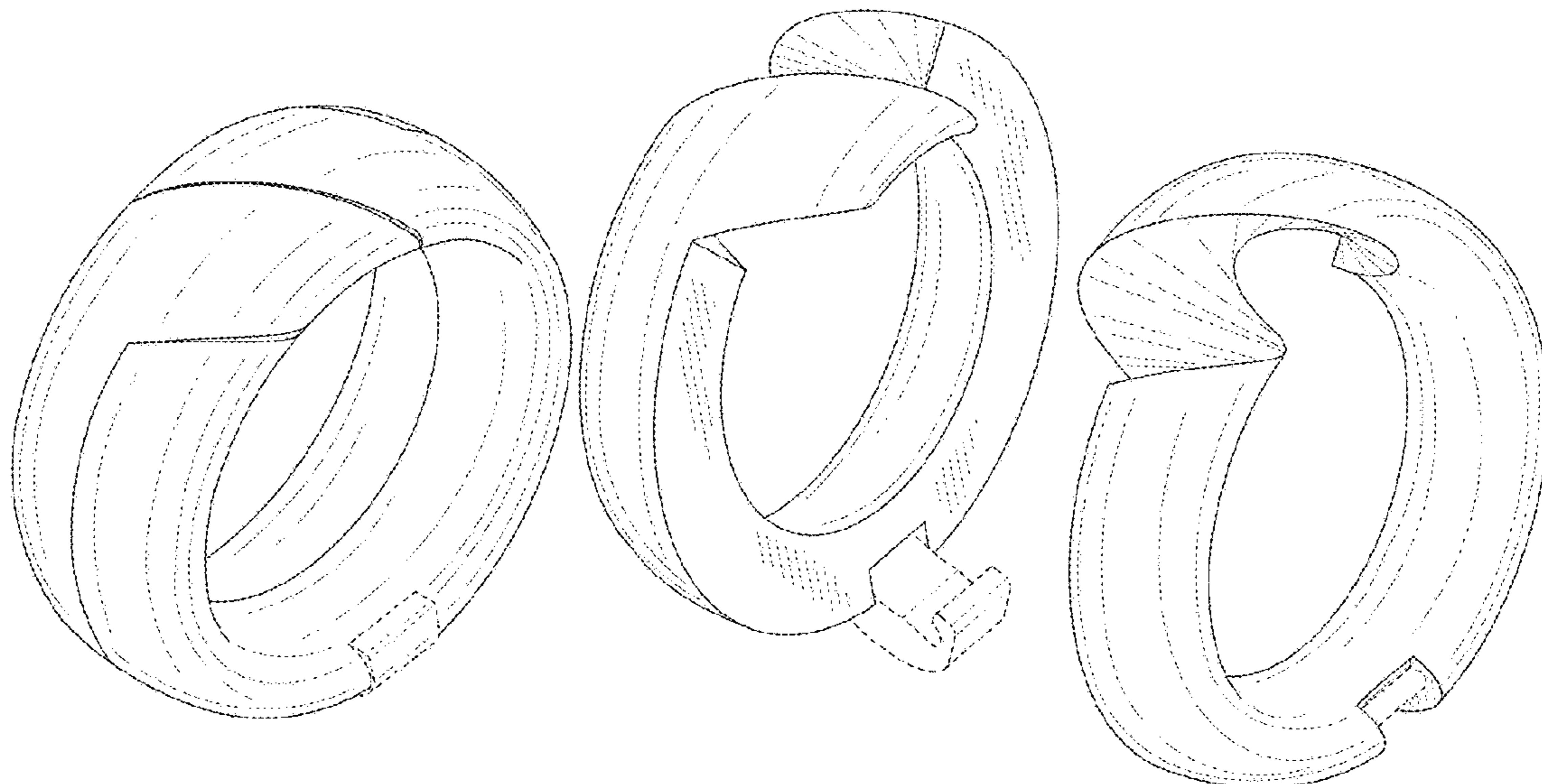
(57) **CLAIM**

The ornamental design for a ring, as shown and described.

DESCRIPTION

FIG. 1 is a top perspective view of a ring in an engaged configuration;
FIG. 2 is a bottom perspective view thereof;
FIG. 3 is a front view thereof;
FIG. 4 is a rear view thereof;
FIG. 5 is a first side view thereof;
FIG. 6 is a second side view thereof;
FIG. 7 is a top view thereof;
FIG. 8 is a bottom view thereof;
FIG. 9 is a front perspective view of the ring in a disengaged configuration; and,
FIG. 10 is a rear perspective view thereof.
The broken lines shown in the drawings represent portions of the ring which form no part of the claimed design.

1 Claim, 8 Drawing Sheets



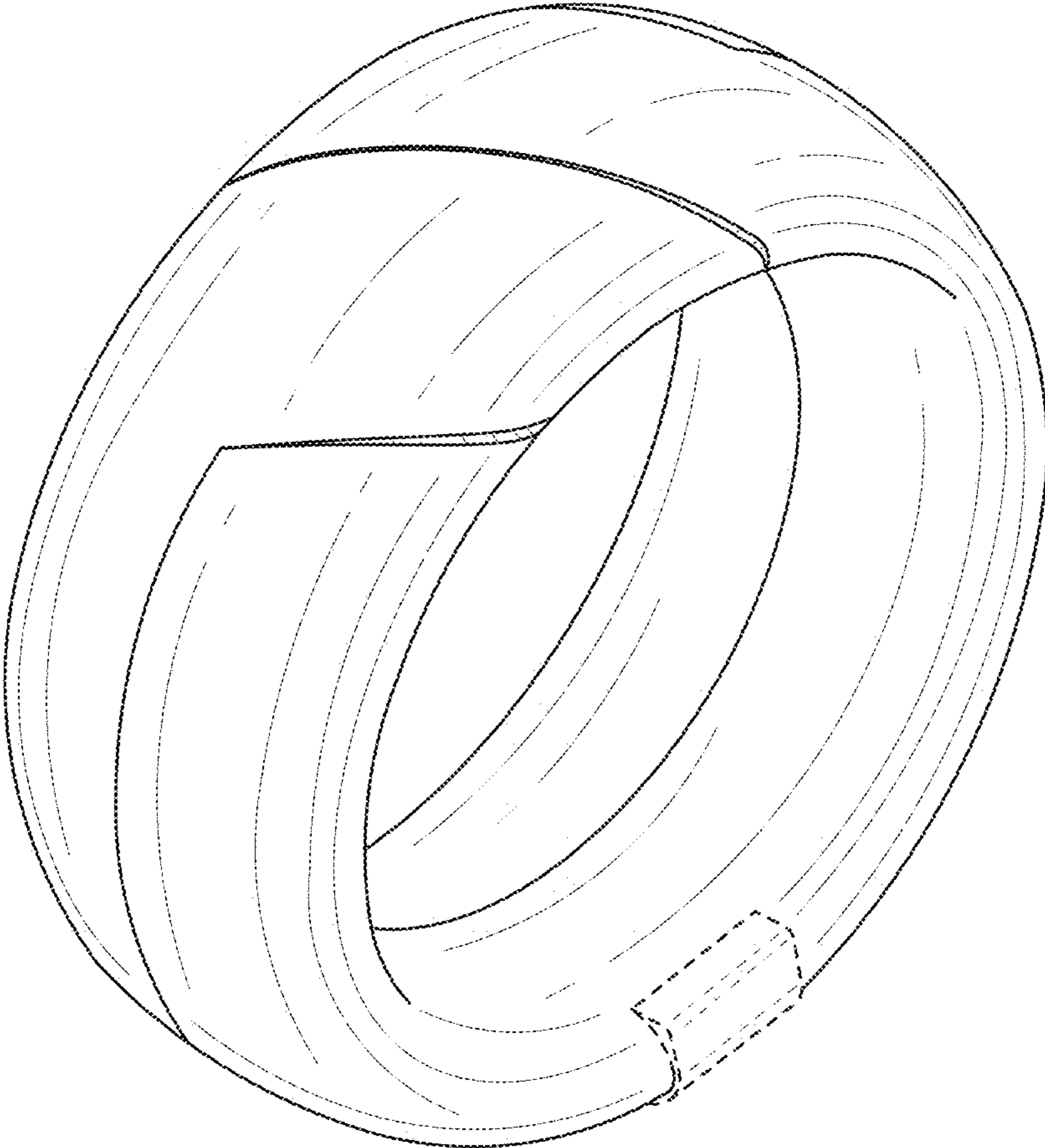


FIG. 1

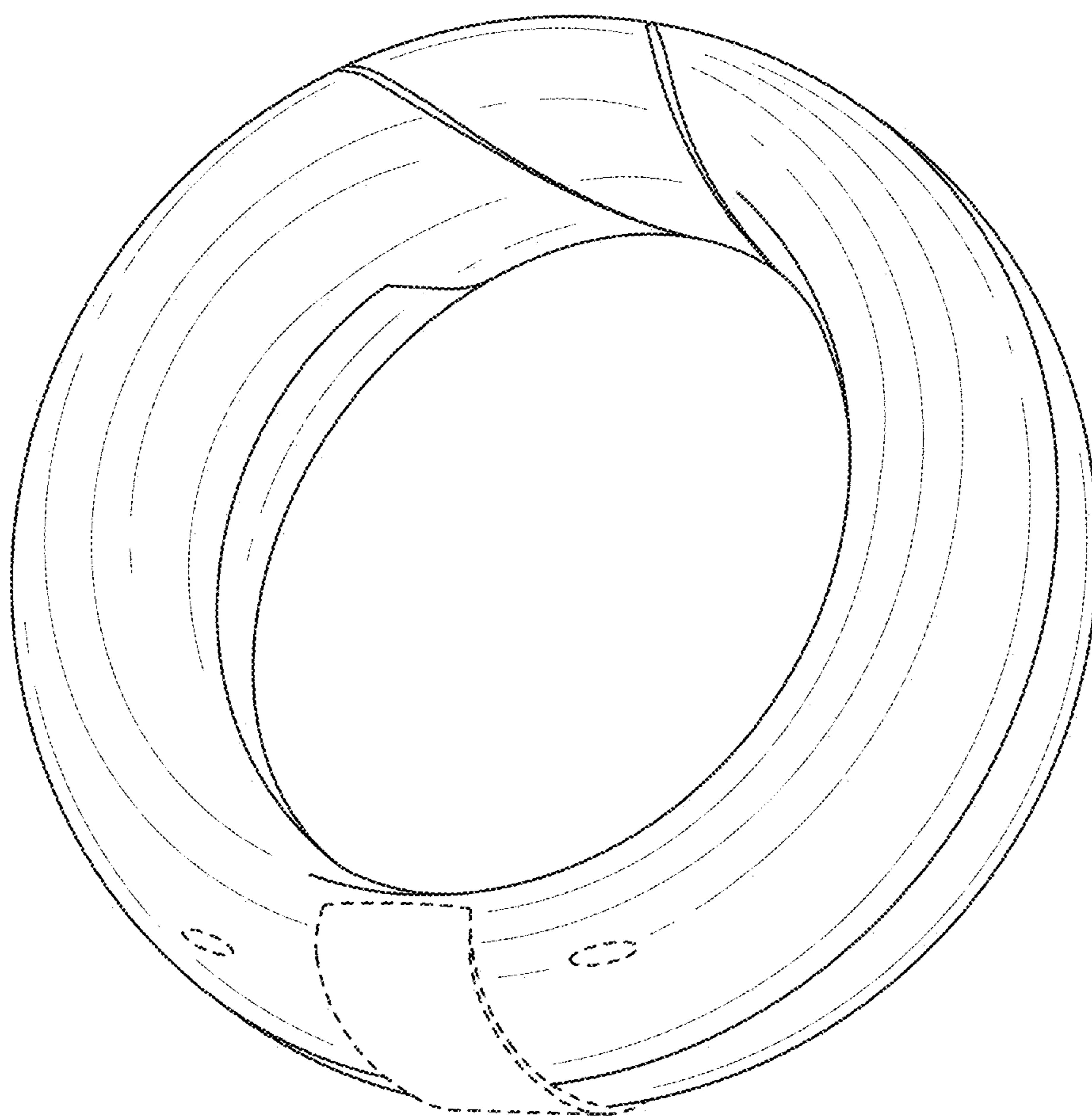


FIG. 2

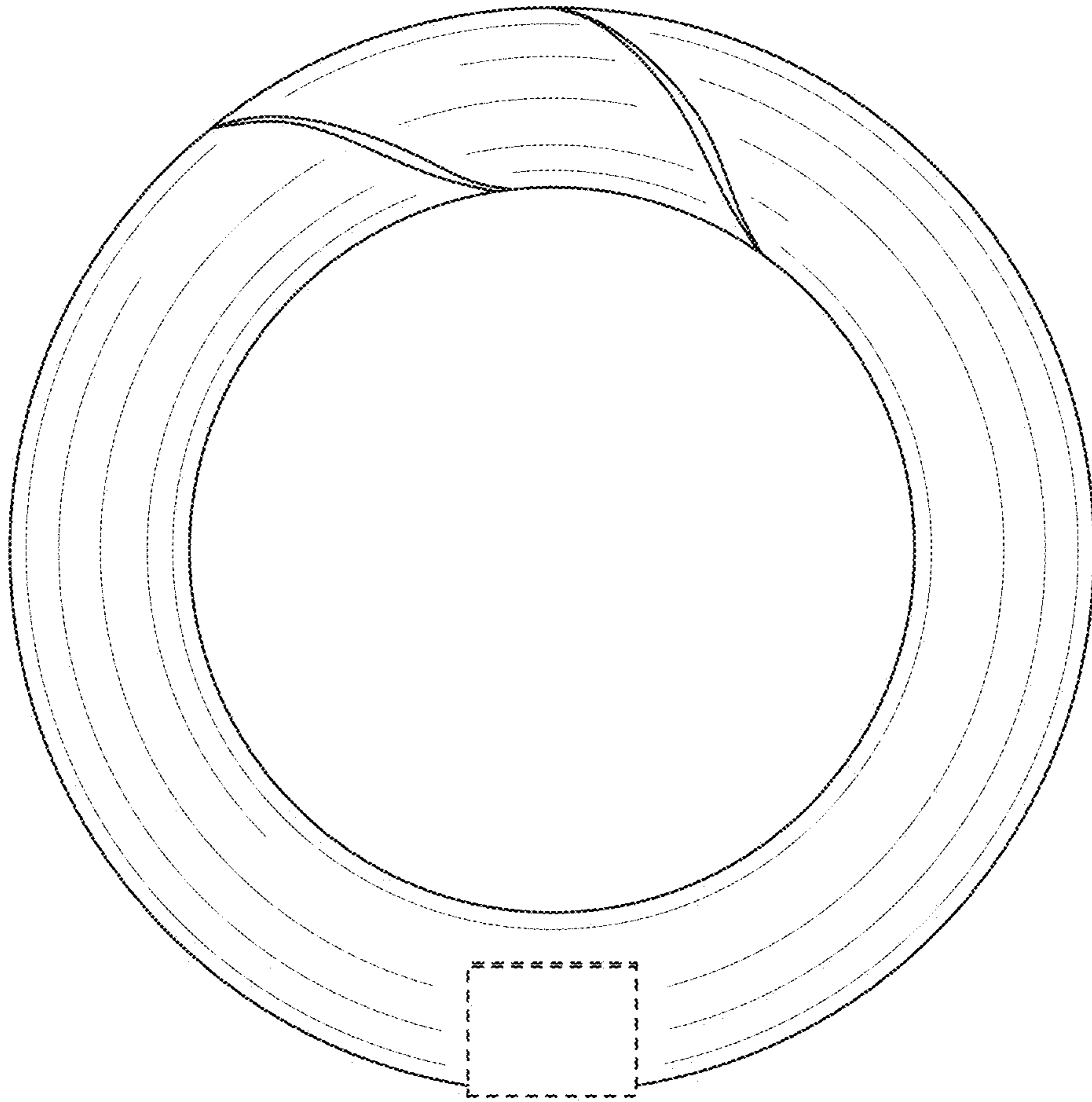


FIG. 3

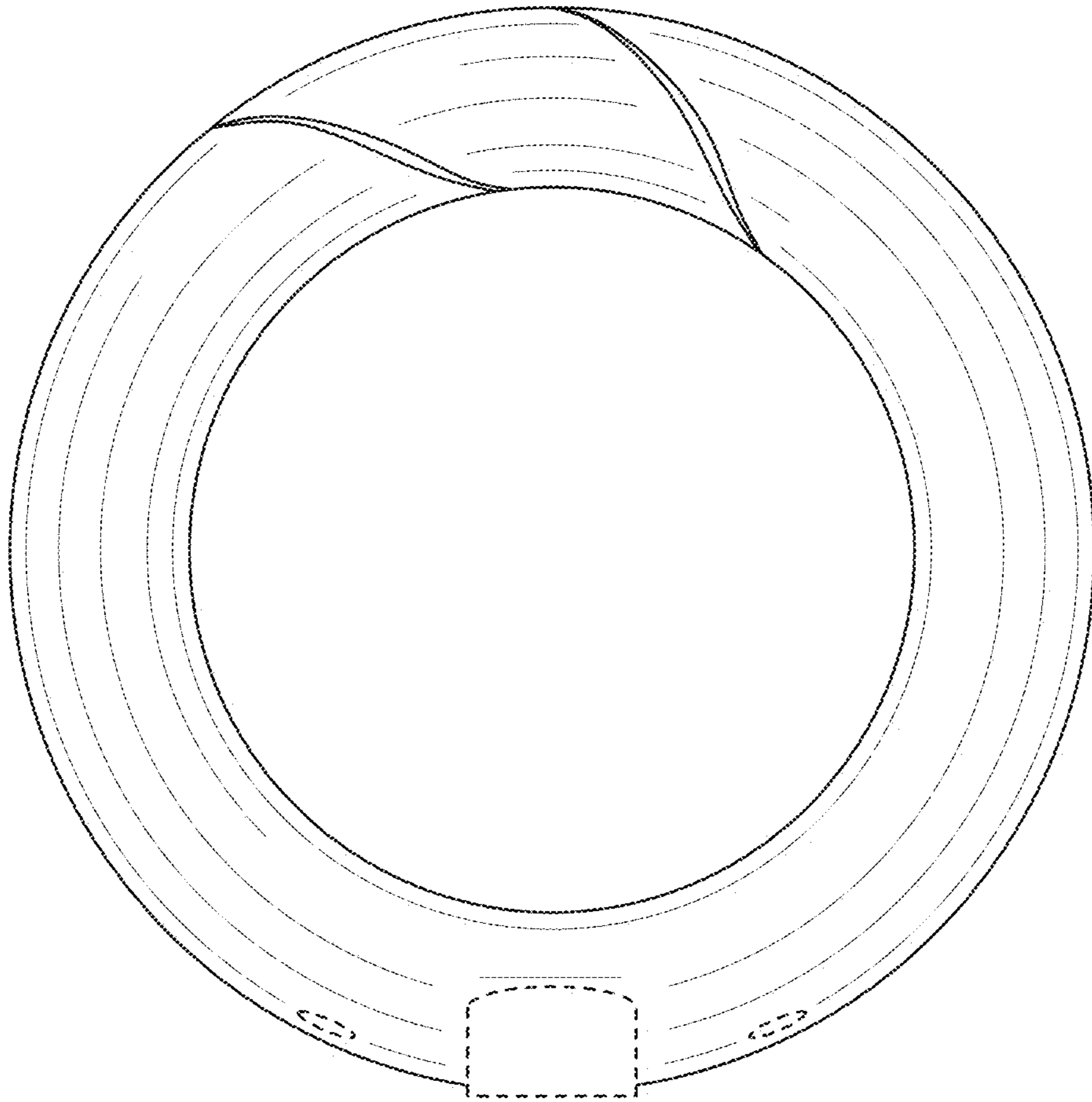


FIG. 4

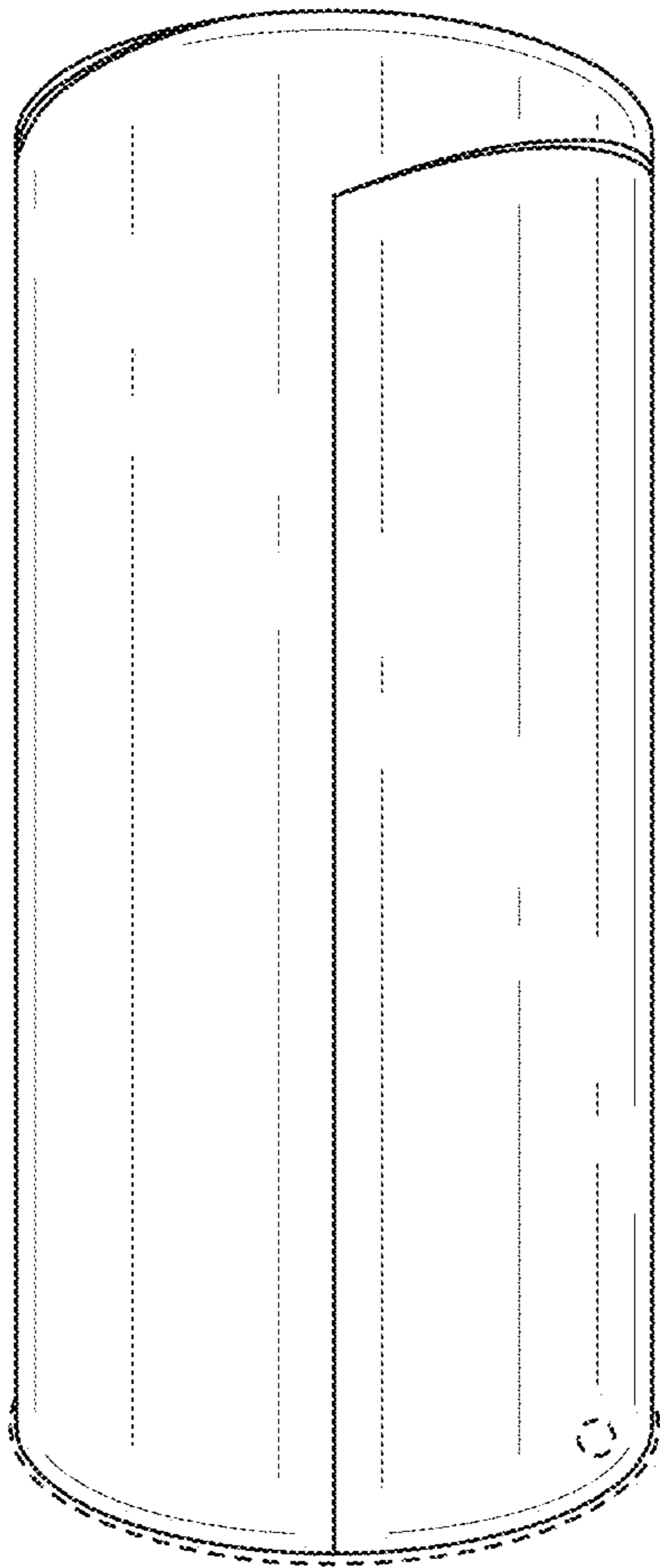


FIG. 5

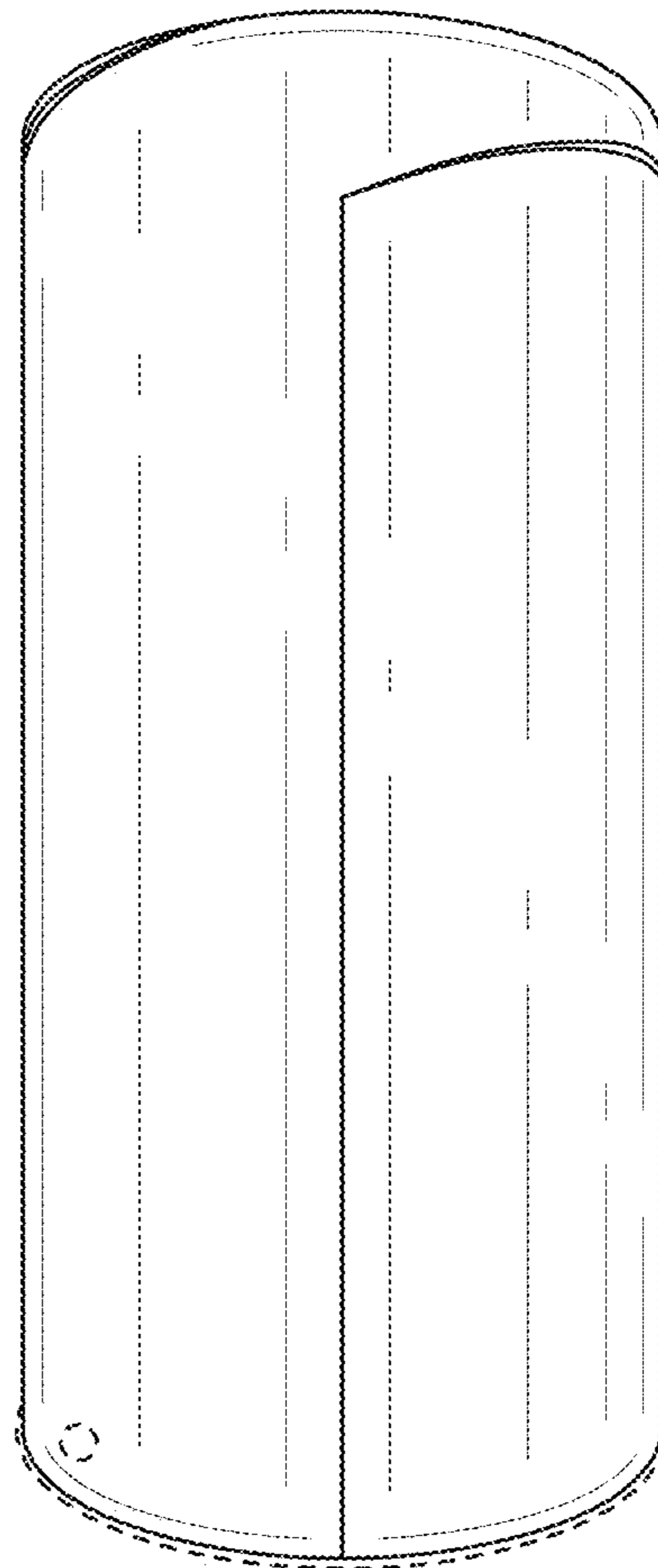


FIG. 6

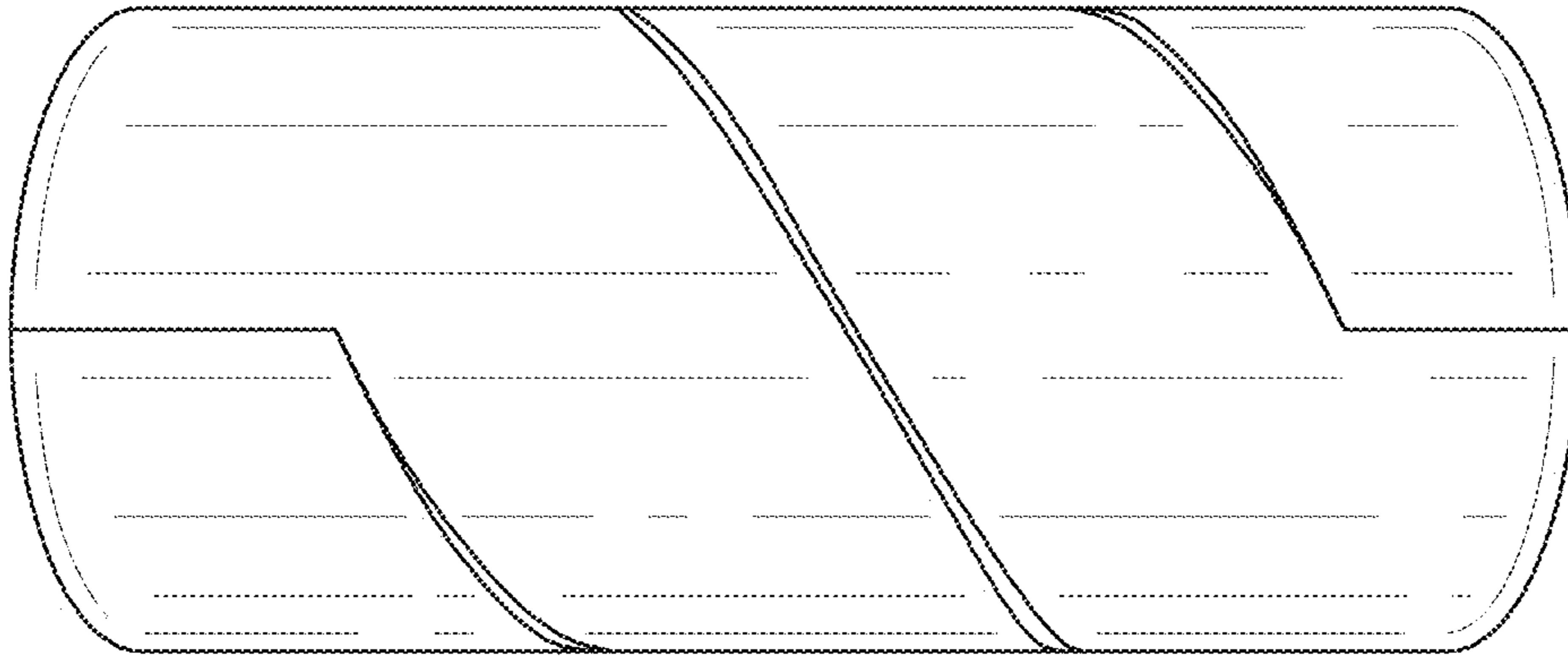


FIG. 7

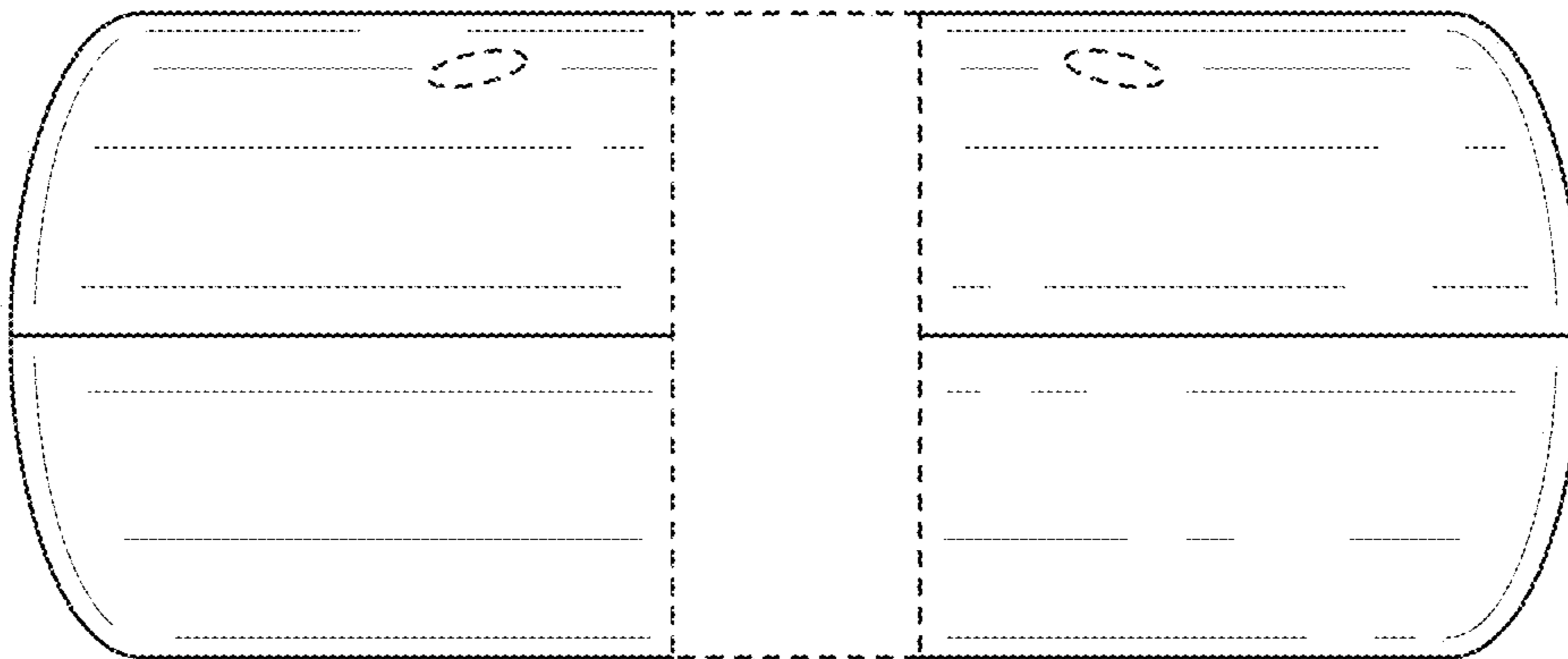


FIG. 8

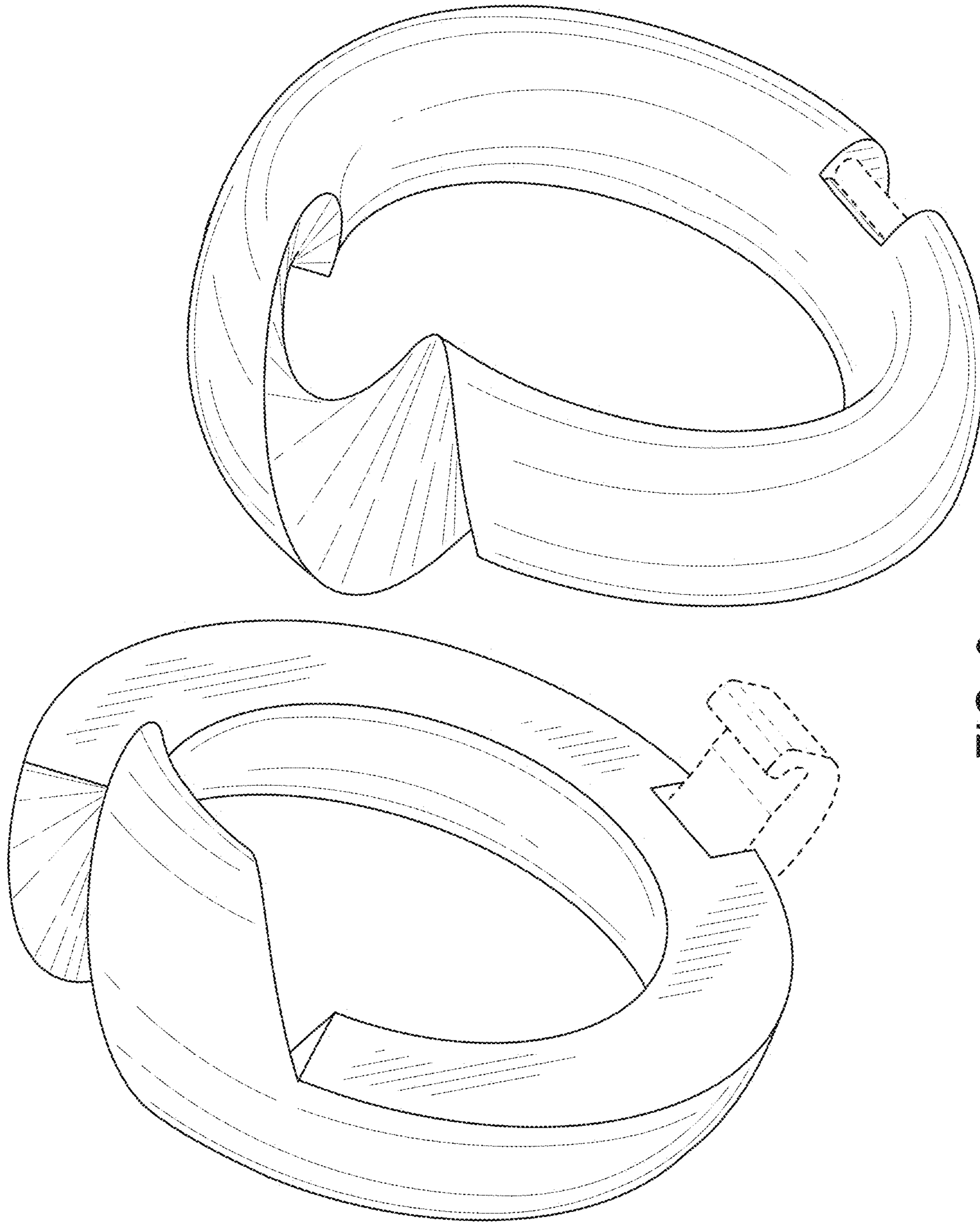


FIG. 9

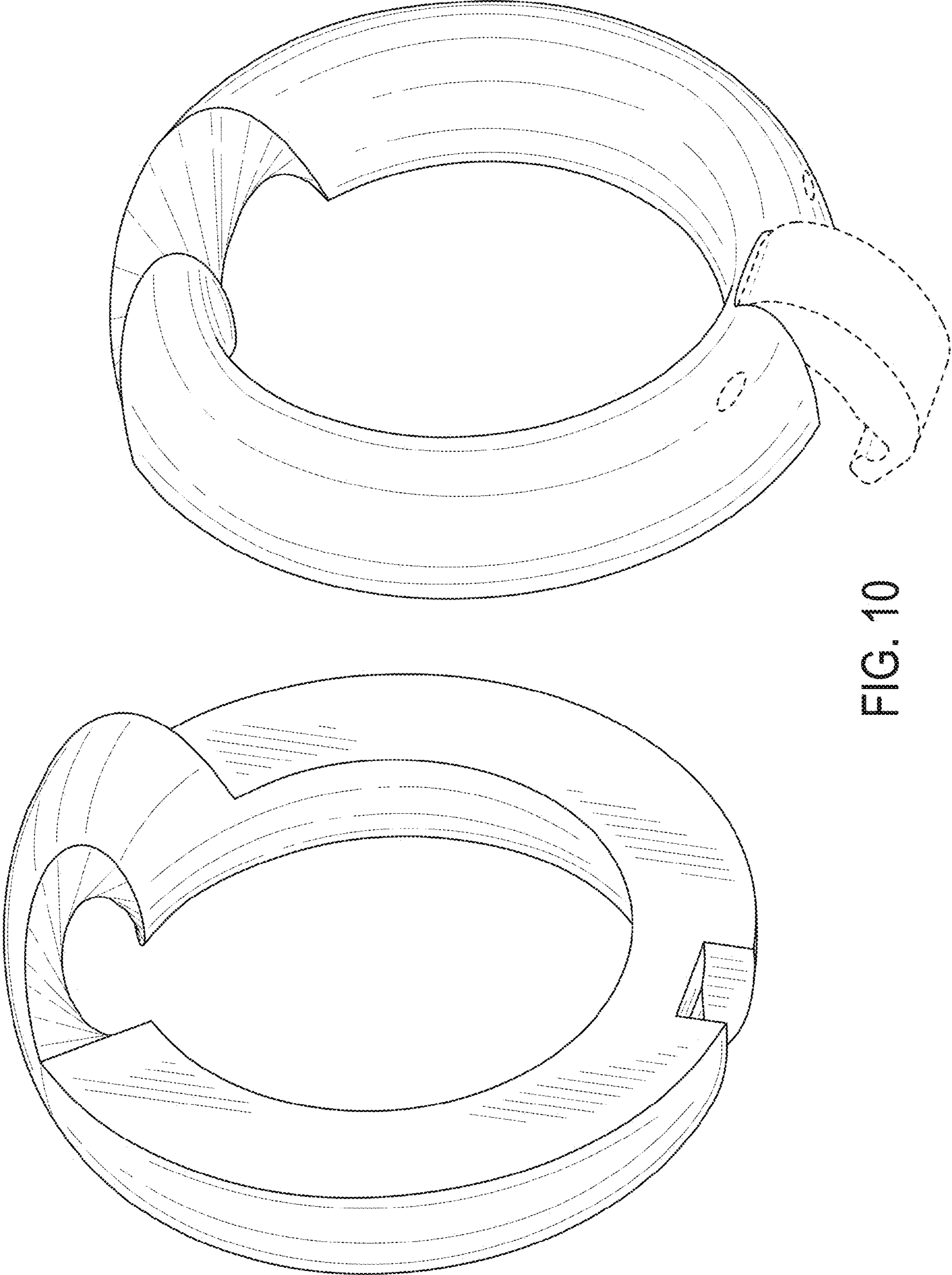


FIG. 10