



US00D954586S

(12) **United States Design Patent**
Huang

(10) **Patent No.:** **US D954,586 S**
(45) **Date of Patent:** **** Jun. 14, 2022**

- (54) **WATCHBAND**
- (71) Applicant: **DONGGUAN COOLYEP ELECTRONIC TECHNOLOGY CO., LTD.**, Dongguan (CN)
- (72) Inventor: **Wen Huang**, Dongguan (CN)
- (73) Assignee: **DONGGUAN COOLYEP ELECTRONIC TECHNOLOGY CO., LTD.**, Congguan (CN)

- D763,127 S * 8/2016 Akana D11/94
- D779,992 S * 2/2017 Akana D11/3
- D784,326 S * 4/2017 Akana D14/344
- D789,229 S * 6/2017 Akana D11/3
- D792,796 S * 7/2017 Haley A63B 71/0036
D11/3
- D798,189 S * 9/2017 Nielsen D10/128
- D820,140 S * 6/2018 Register D11/3
- D839,120 S * 1/2019 Hou D11/3
- D853,881 S * 7/2019 Akana D11/3
- D864,012 S 10/2019 Chen
- D865,536 S * 11/2019 Akana D14/344
- 10,463,119 B1 * 11/2019 Chambers G06F 1/163

(**) Term: **15 Years**

- (21) Appl. No.: **29/783,590**
- (22) Filed: **May 13, 2021**
- (51) **LOC (13) Cl.** **11-01**
- (52) **U.S. Cl.**
USPC **D11/3; D10/32**
- (58) **Field of Classification Search**
USPC D10/30-39, 132; D11/3, 5, 12-13,
D11/86-87, 93-94; D14/344, 440
CPC A44C 5/00; A44C 5/0053; A44C 5/02;
A44C 5/022; A44C 5/025; A44C 5/10;
A44C 5/14; A44C 5/147; A44C 5/2071;
A61B 5/681; A61B 5/6831
See application file for complete search history.

(Continued)

FOREIGN PATENT DOCUMENTS

- CN 305178211 * 5/2019
- CN 306430954 * 4/2021
- CN 306440187 * 4/2021

Primary Examiner — Katherine Glennon
(74) *Attorney, Agent, or Firm* — Law Offices of Steven W. Weinrieb

(57) **CLAIM**

The ornamental design for a watchband, as shown and described.

DESCRIPTION

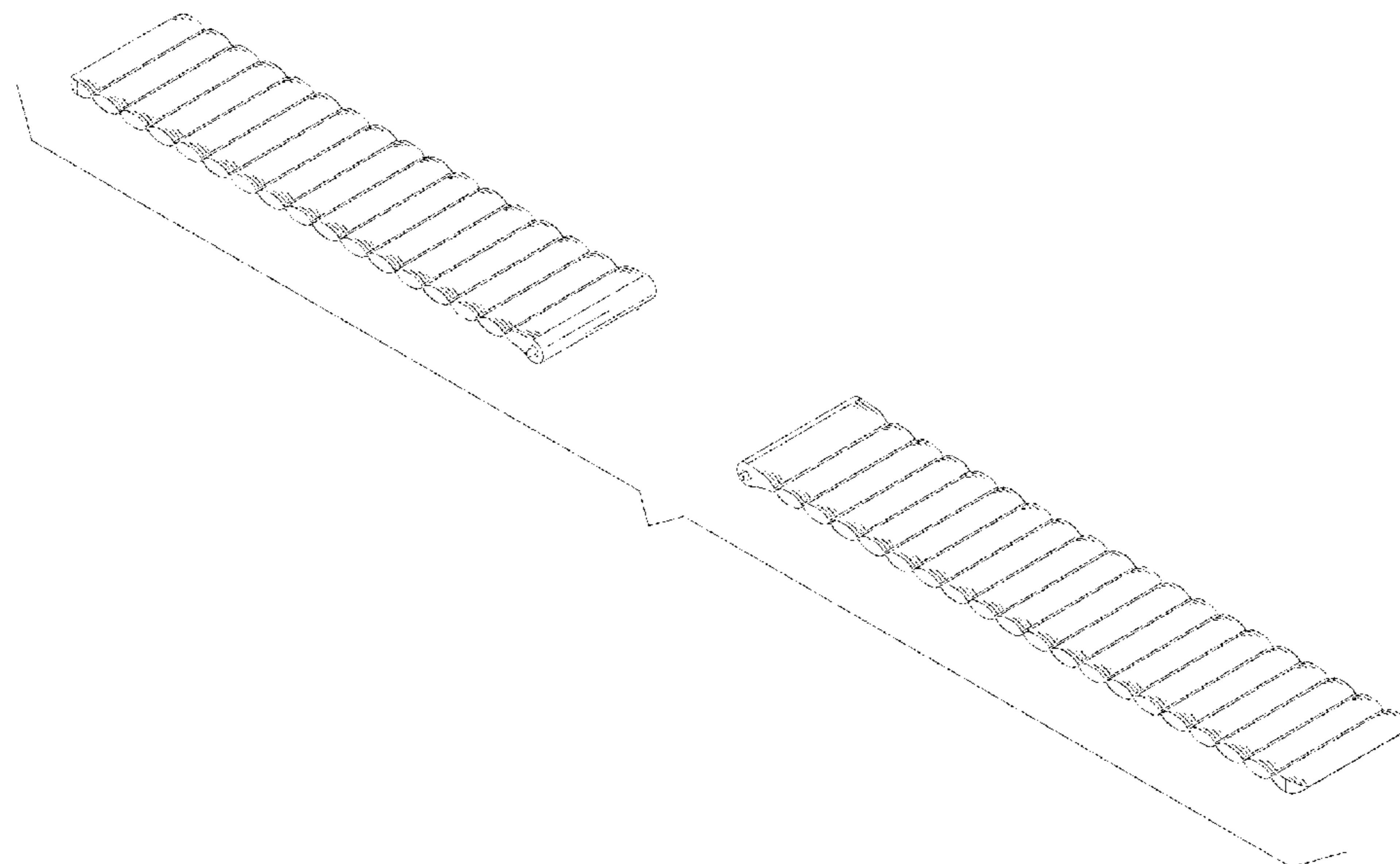
FIG. 1 is a front, right side, top perspective view of a watchband showing my new design;
FIG. 2 is a rear, left side, bottom perspective view thereof;
FIG. 3 is a front elevational view thereof;
FIG. 4 is a rear elevational view thereof;
FIG. 5 is a left side elevational view thereof;
FIG. 6 is a right side elevational view thereof;
FIG. 7 is a top plan view thereof; and,
FIG. 8 is a bottom plan view thereof.
The broken lines depict portions of the watchband that form no part of the claimed design.

(56) **References Cited**

U.S. PATENT DOCUMENTS

- D249,244 S * 9/1978 Salter D10/38
- D256,568 S * 8/1980 Young D11/25
- 5,845,478 A * 12/1998 Ripley A44C 5/02
59/79.3
- D467,827 S * 12/2002 Bach D11/21
- D578,023 S * 10/2008 Rochat D10/32
- D731,346 S * 6/2015 Akana D11/3
- D746,718 S * 1/2016 Akana D11/3
- D757,594 S * 5/2016 Akana D11/5
- D760,107 S * 6/2016 Akana D11/5

1 Claim, 8 Drawing Sheets



(56)

References Cited

U.S. PATENT DOCUMENTS

D879,643 S 3/2020 Deng et al.
D879,644 S 3/2020 Deng et al.
D879,645 S 3/2020 Lin
D879,646 S 3/2020 Lin
D881,060 S 4/2020 Wang
D881,739 S 4/2020 Deng et al.
D883,837 S * 5/2020 Akana D11/3
D895,471 S * 9/2020 Zhang D11/3
11,033,083 B1 * 6/2021 Moustafa H01F 7/0263
D929,884 S * 9/2021 Yi D11/3
D932,332 S * 10/2021 Akana D11/3
2005/0015937 A1 * 1/2005 Huang B65D 63/10
24/16 PB
2016/0299526 A1 * 10/2016 Inagaki G06F 3/04883
2017/0105493 A1 * 4/2017 Bravo A44C 5/02

* cited by examiner

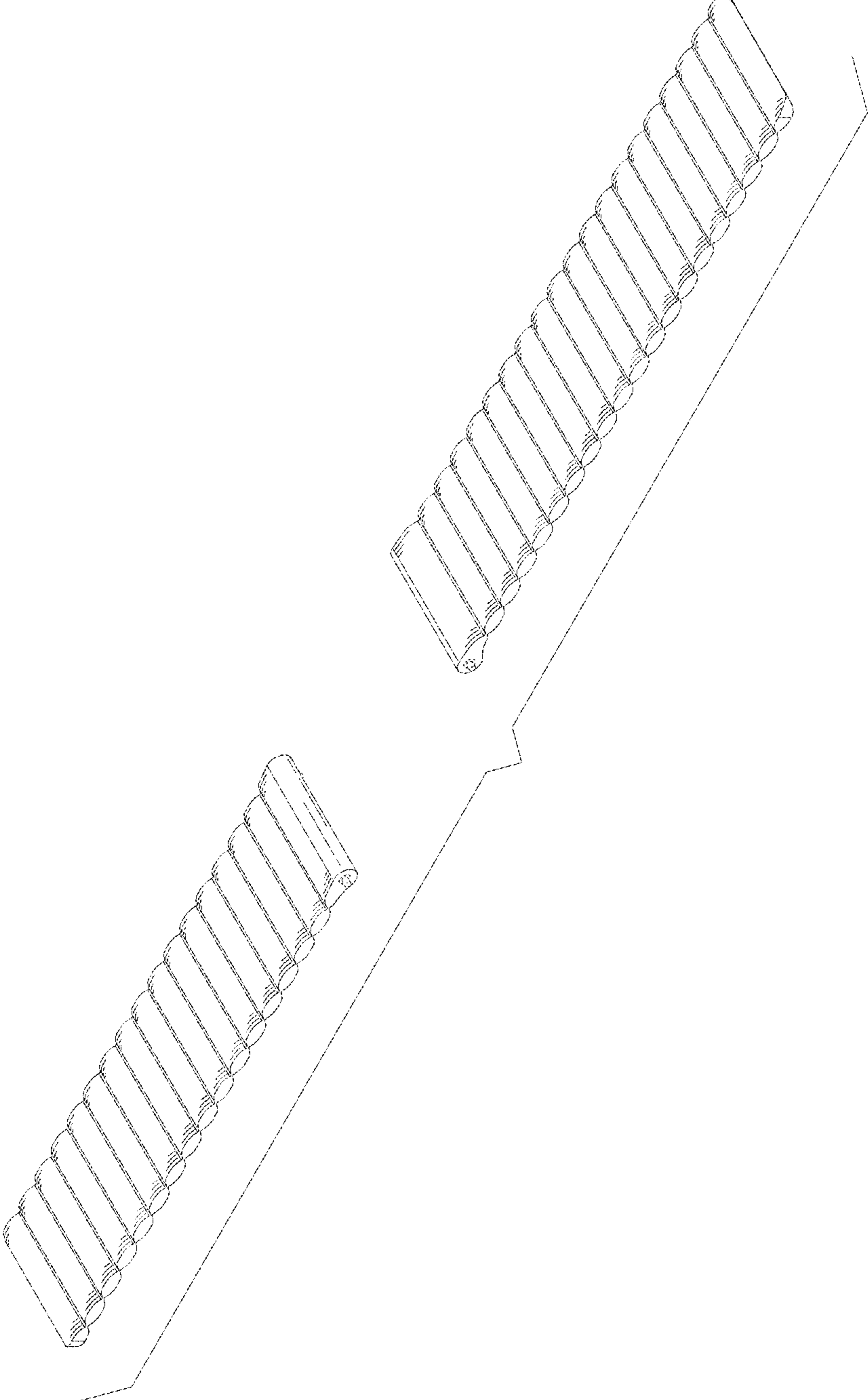


FIG. 1

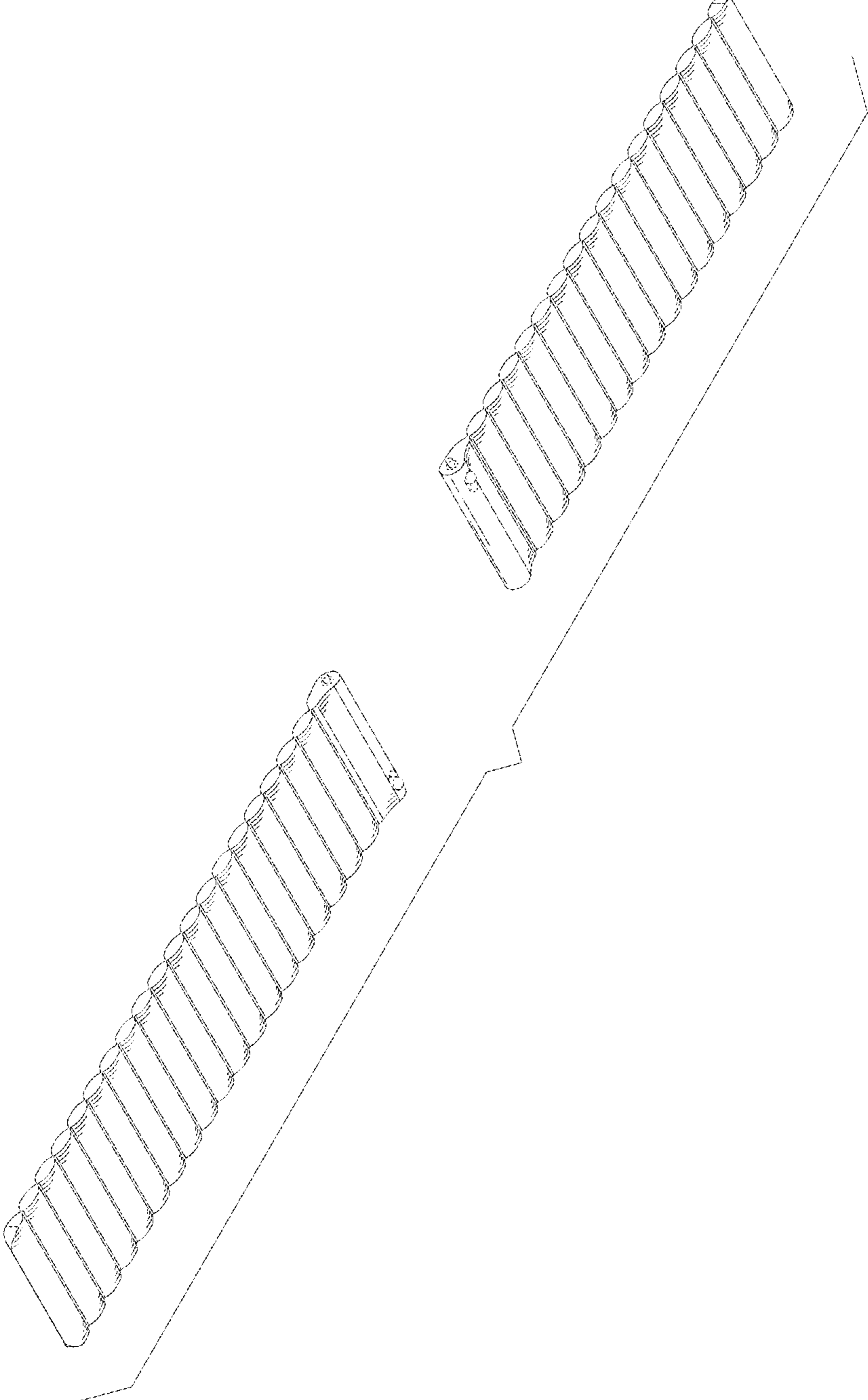


FIG. 2



FIG. 3



FIG.4

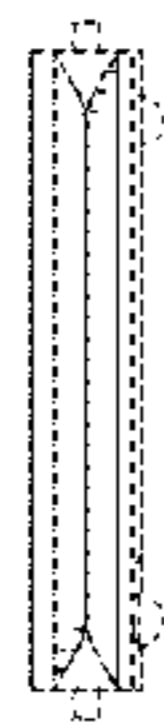


FIG. 5

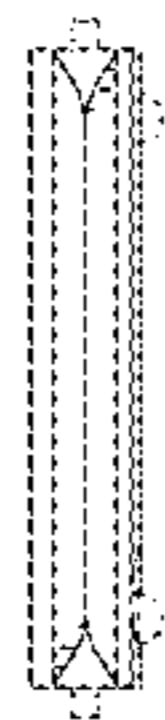


FIG. 6

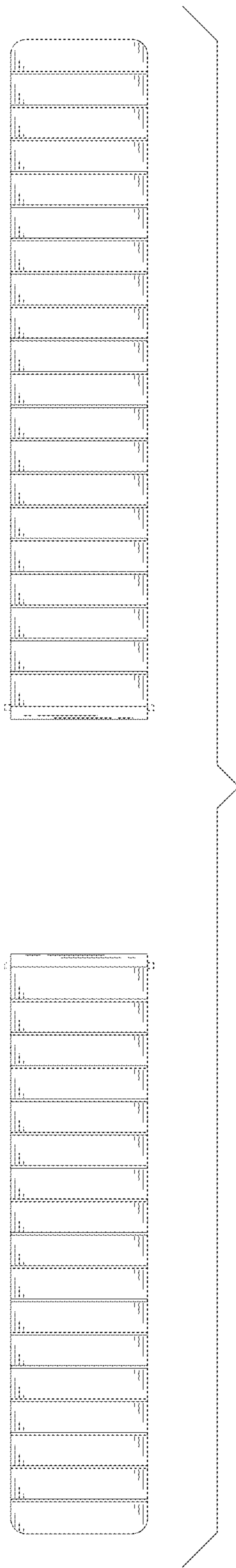


FIG. 7

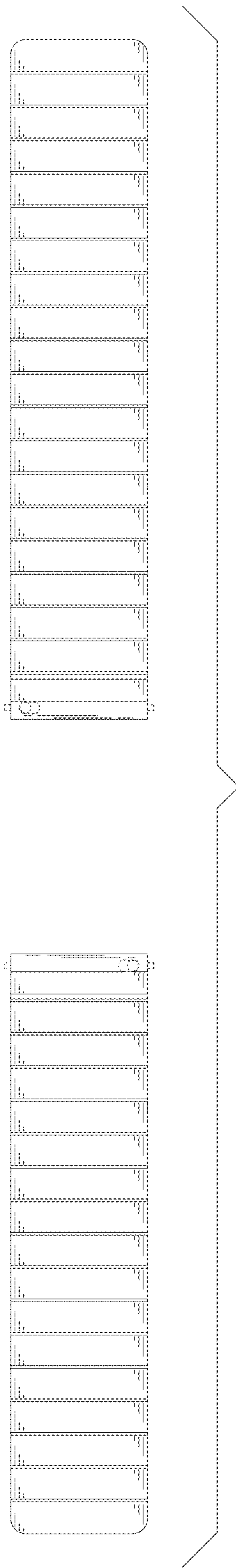


FIG. 8