



US00D954585S

(12) **United States Design Patent**  
**Liu**

(10) **Patent No.:** **US D954,585 S**  
(45) **Date of Patent:** **\*\* Jun. 14, 2022**

(54) **WATCH STRAP**

(71) Applicant: **SHENZHEN QIDIAN ELECTRONIC TECHNOLOGY CO., LTD.**, Shenzhen (CN)

(72) Inventor: **Xiaobin Liu**, Anqing (CN)

(73) Assignee: **SHENZHEN QIDIAN ELECTRONIC TECHNOLOGY CO., LTD.**, Shenzhen (CN)

(\*\*) Term: **15 Years**

(21) Appl. No.: **29/775,088**

(22) Filed: **Mar. 21, 2021**

(30) **Foreign Application Priority Data**

Mar. 12, 2021 (CN) ..... 202130133572.8

(51) **LOC (13) Cl.** ..... **11-01**

(52) **U.S. Cl.**  
USPC ..... **D11/3**

(58) **Field of Classification Search**

USPC ..... D11/1-5, 94; D10/30, 31, 32, 70;  
D14/344; D30/152, 153  
CPC ..... A44C 5/0015; A44C 5/0023; A44C 5/003;  
A44C 5/0053; A44C 5/0061; A44C  
5/0069; A44C 5/0076; A44C 5/02; A44C  
5/025; A44C 5/027; A44C 5/16; A44C  
5/246

See application file for complete search history.

(56) **References Cited**

**U.S. PATENT DOCUMENTS**

1,840,771 A \* 1/1932 Duerr ..... A44C 5/0061  
63/3  
2,467,204 A \* 4/1949 Greenberg ..... A44C 5/22  
D11/94

D287,403 S \* 12/1986 Kiiski ..... D10/31  
D438,812 S \* 3/2001 Bert ..... D11/3  
D517,775 S \* 3/2006 Cook ..... D2/627  
D522,900 S 6/2006 Yamamoto et al.  
D644,952 S 9/2011 Rabassa  
D851,641 S \* 6/2019 Zhang ..... D14/344  
D862,460 S \* 10/2019 Zhang ..... D14/344  
D862,461 S \* 10/2019 Zhang ..... D14/344  
D864,782 S \* 10/2019 Lean ..... D11/3  
D887,406 S \* 6/2020 Mao ..... D14/344  
D929,884 S \* 9/2021 Yi ..... D11/3  
D931,751 S \* 9/2021 Akana ..... D11/3

\* cited by examiner

*Primary Examiner* — Llorellys Martinez

(57) **CLAIM**

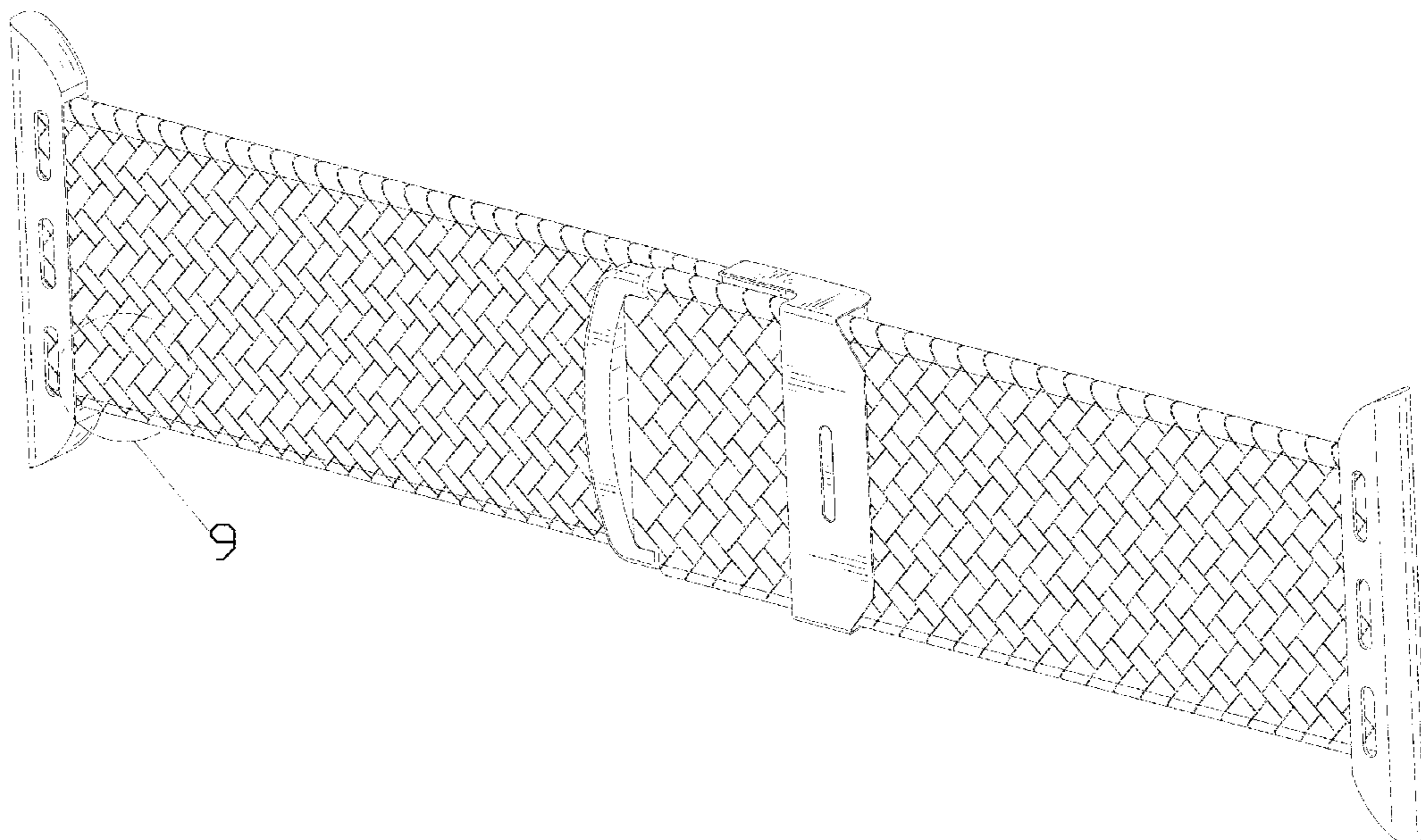
The ornamental design for a watch strap, as shown and described.

**DESCRIPTION**

FIG. 1 is a perspective view of a watch strap showing my new design;  
FIG. 2 is another perspective view thereof;  
FIG. 3 is a front elevational view thereof;  
FIG. 4 is a rear elevational view thereof;  
FIG. 5 is a left side elevational view thereof;  
FIG. 6 is a right side elevational view thereof;  
FIG. 7 is a top plan view thereof;  
FIG. 8 is a bottom plan view thereof; and,  
FIG. 9 is an enlarged view thereof, taken from encircled portion 9 in FIG. 1.

The broken lines in the drawings depict portions of the watch strap that form no part of the claimed design. The dot-dash broken lines of FIGS. 1 and 9 are included to show a partially enlarged view only and form no part of the claimed design.

**1 Claim, 9 Drawing Sheets**



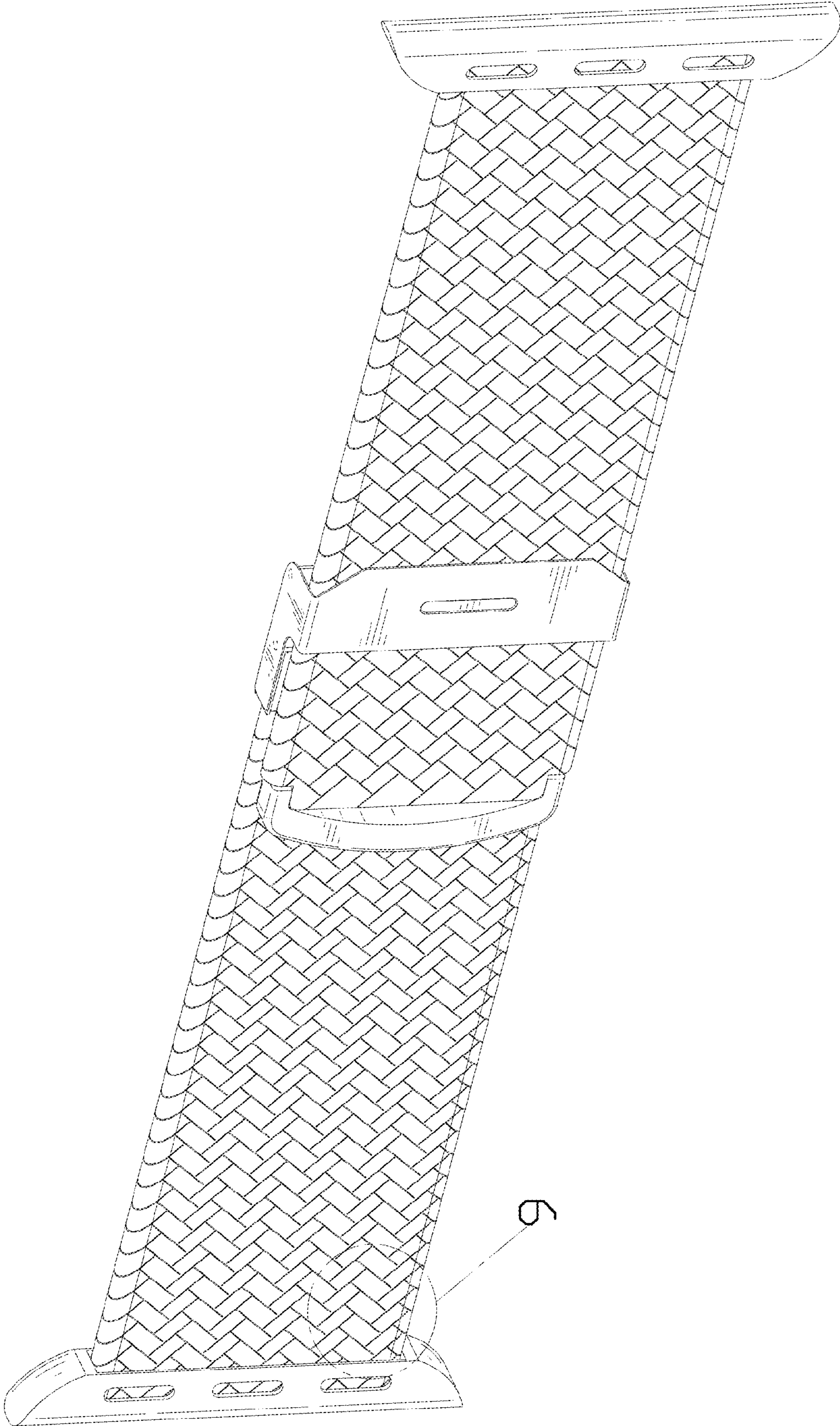


FIG. 1

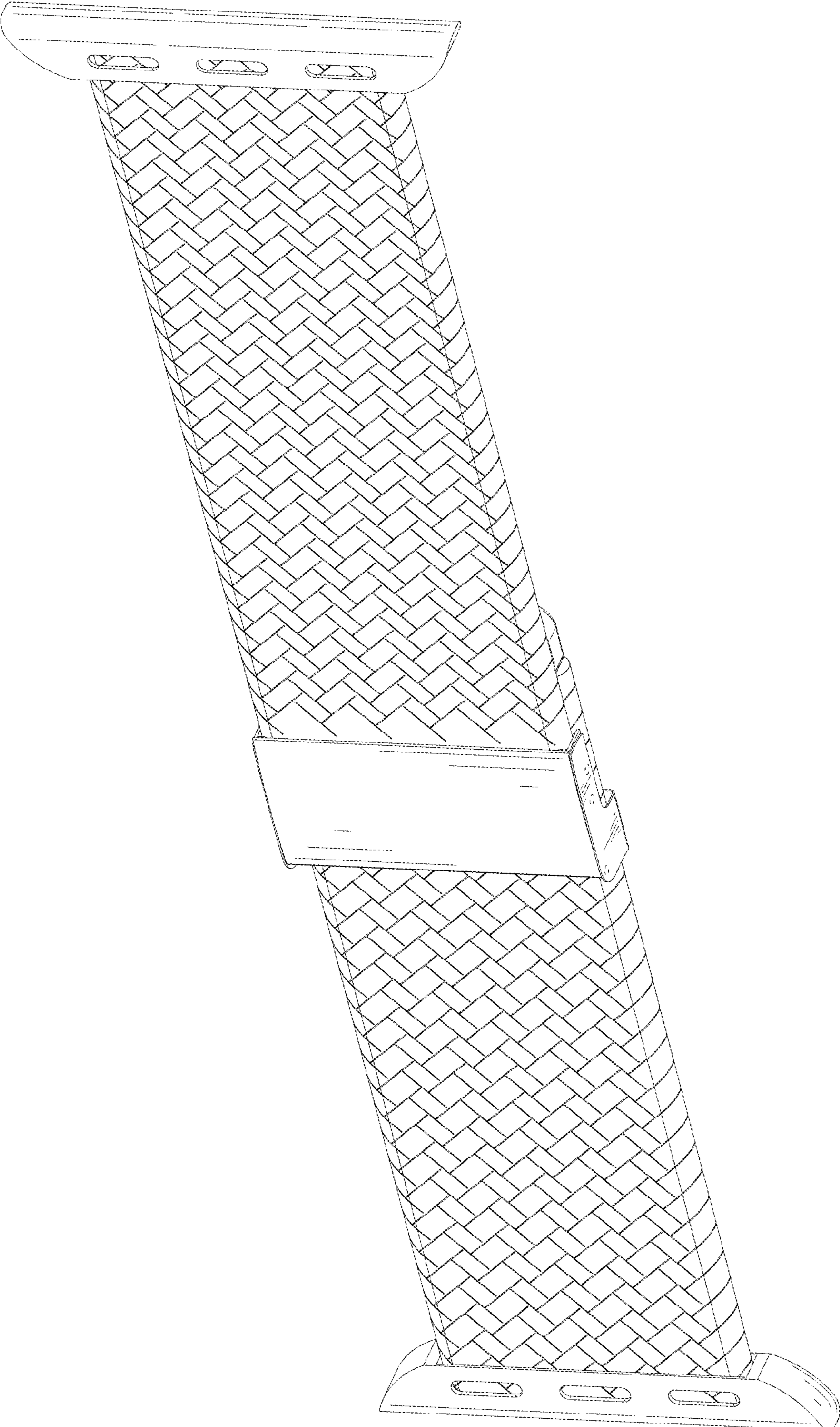


FIG. 2

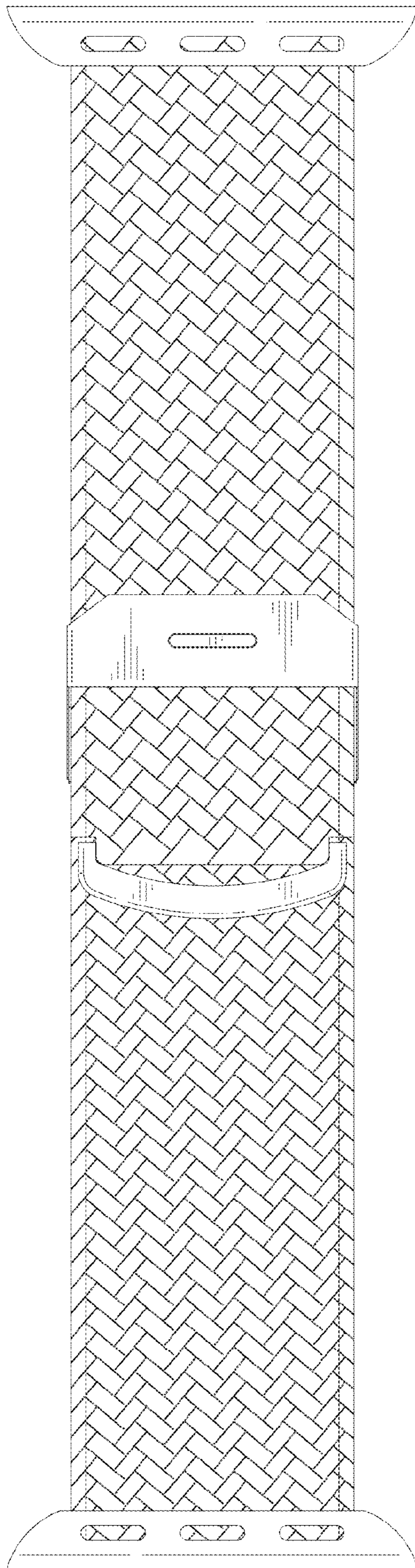


FIG. 3

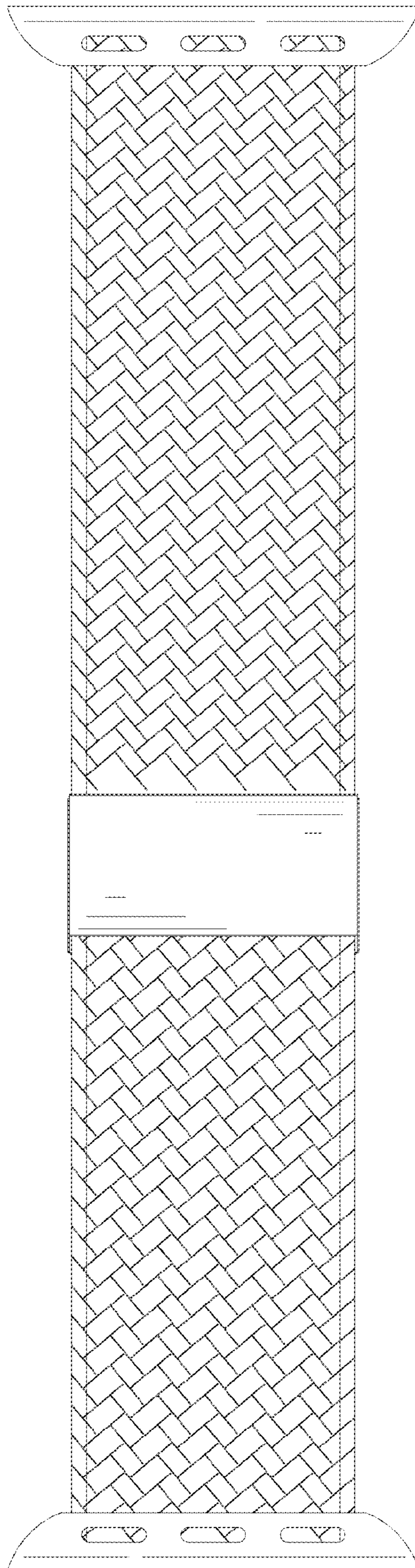


FIG. 4

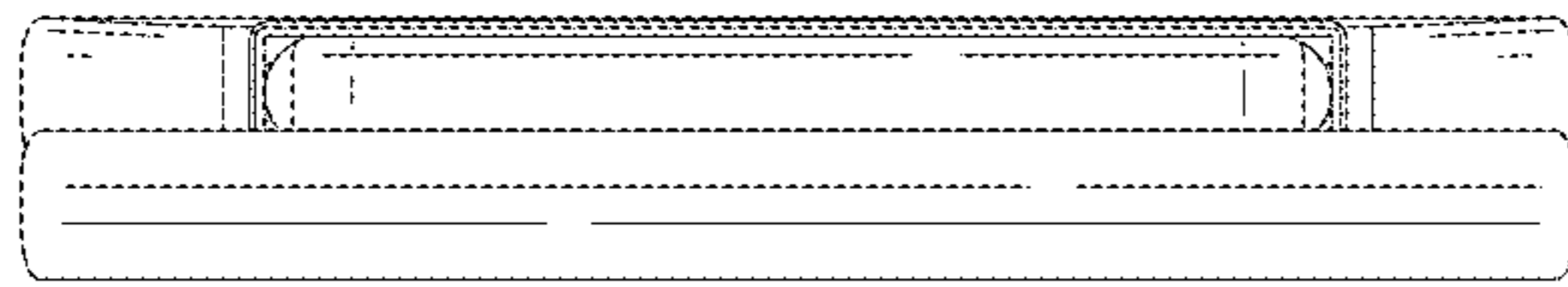


FIG. 5

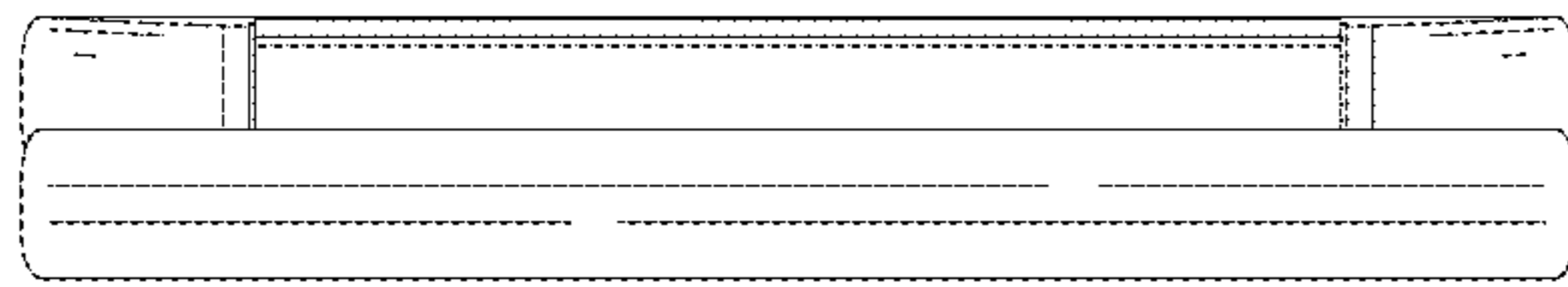


FIG. 6

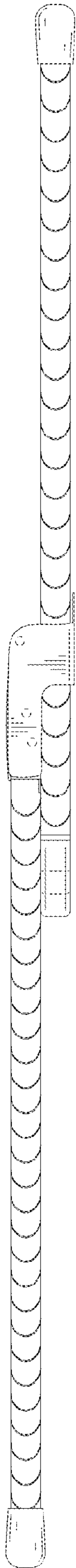


FIG. 7



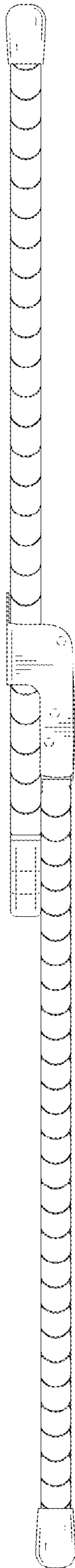


FIG. 8

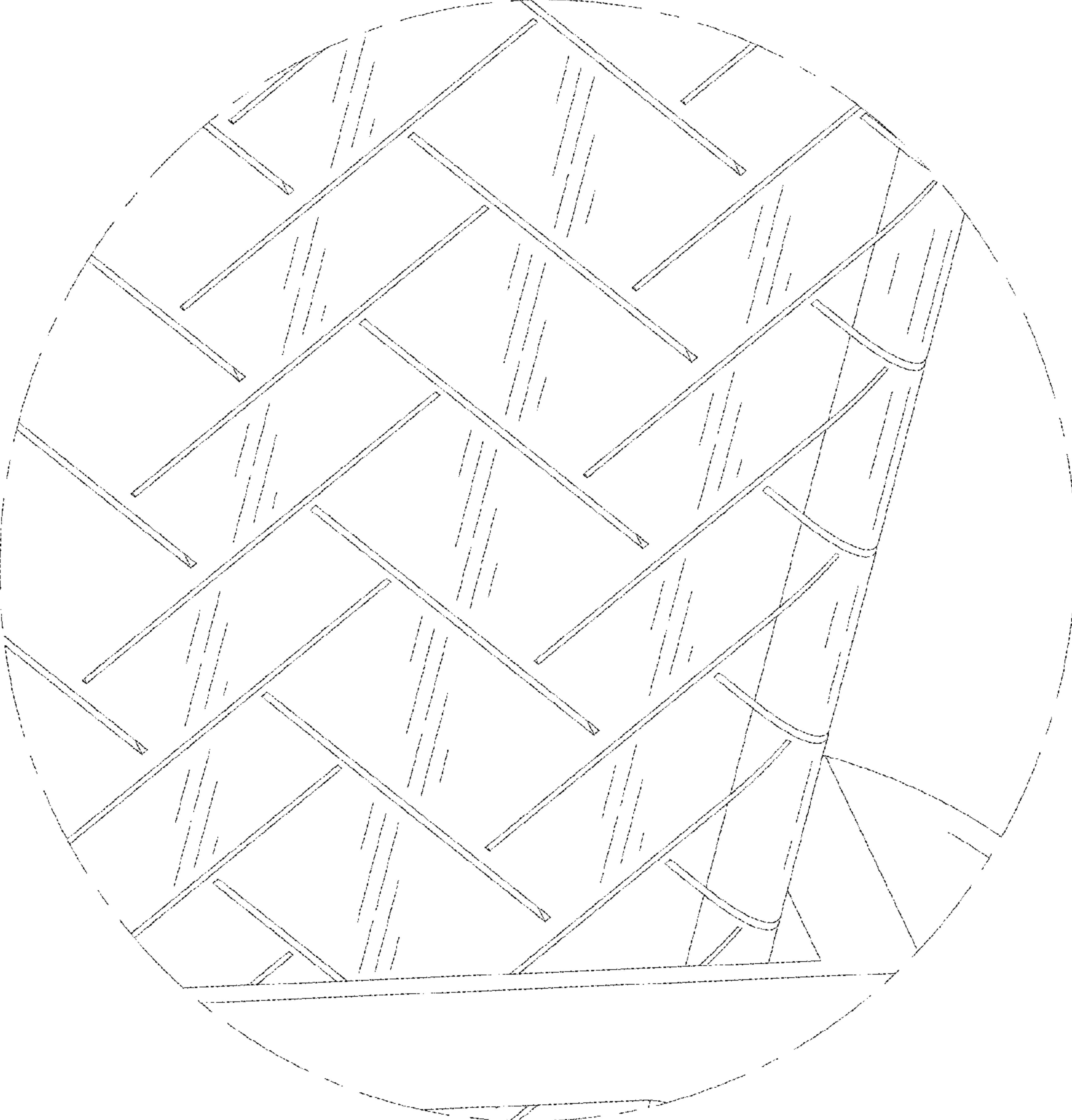


FIG. 9