



US00D954584S

(12) **United States Design Patent**
Zhou

(10) **Patent No.:** **US D954,584 S**
(45) **Date of Patent:** **** Jun. 14, 2022**

(54) **WATCH CASE**
(71) Applicant: **Liuyang Zhou**, Shenzhen (CN)
(72) Inventor: **Liuyang Zhou**, Shenzhen (CN)
(**) Term: **15 Years**
(21) Appl. No.: **29/799,982**
(22) Filed: **Jul. 19, 2021**
(51) **LOC (13) Cl.** **10-07**
(52) **U.S. Cl.**
USPC **D10/132**
(58) **Field of Classification Search**
USPC D10/122, 30, 38, 126, 125, 128, 132;
D14/440, 250, 217, 447, 344, 439, 432,
D14/300
CPC .. G04B 37/00; G04B 37/0008; G04B 37/005;
G04B 37/22; G04B 37/18; G04B 37/20;
G04B 37/116
See application file for complete search history.

D885,230 S * 5/2020 Kim D14/440
D888,710 S * 6/2020 Yun D14/344
D897,350 S * 9/2020 Wang D14/440
D903,508 S * 12/2020 Zhang D10/30
D909,903 S * 2/2021 Lin D10/132
D912,562 S * 3/2021 Zhou D14/440
D913,138 S * 3/2021 Maile D14/440
(Continued)

FOREIGN PATENT DOCUMENTS

CN 201930463770.3 * 8/2019
CN 202130544238.1 * 8/2021
(Continued)

OTHER PUBLICATIONS

Amazon, Piuellia Black Hard Case for Apple Watch, posted Oct. 14, 2019, [online], [visited Sep. 23, 2020]. Internet, <URL: https://www.amazon.co.uk/Piuellia-Protector-Ultra-Thin-Overall-Protective/dp/B07Z3PRPKN/ref?th=1> (Year: 2019).*
(Continued)

Primary Examiner — Samantha Wood

(56) **References Cited**
U.S. PATENT DOCUMENTS

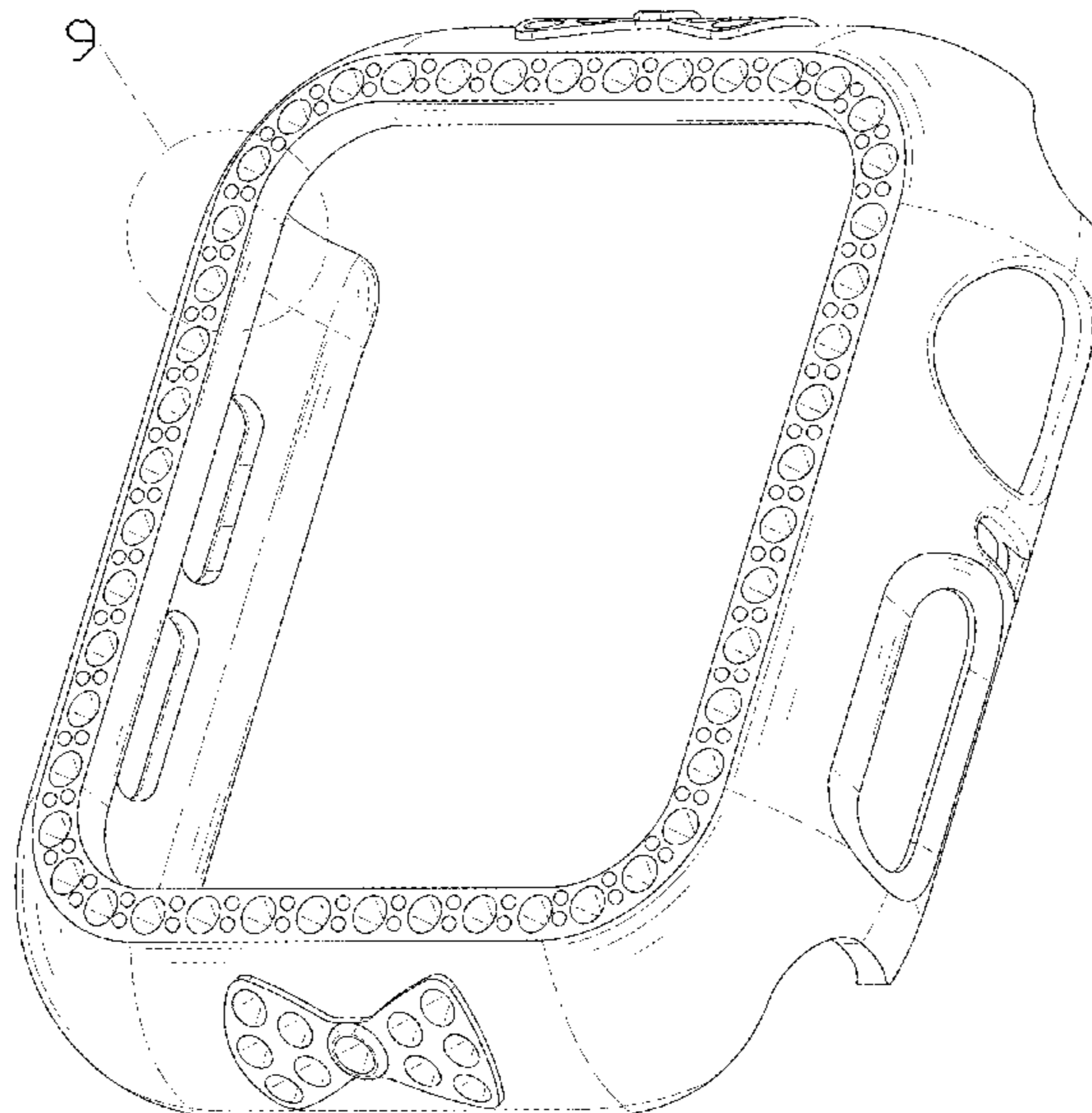
D145,823 S * 10/1946 Shemanski D10/36
D397,945 S * 9/1998 Gruosi D10/30
D454,310 S * 3/2002 Dostourian D10/30
D588,943 S * 3/2009 Fasciano D10/38
D675,941 S * 2/2013 Sasaki D10/32
D690,208 S * 9/2013 Sasaki D10/32
D715,659 S * 10/2014 Graff D10/34
D716,155 S * 10/2014 Graff D10/34
D770,931 S * 11/2016 Parker D10/132
D784,166 S 4/2017 Kishino
D798,744 S * 10/2017 Wright A45C 13/008
D10/30
D799,344 S * 10/2017 Wright D10/30
D853,878 S * 7/2019 Wright D10/128
D870,571 S * 12/2019 Stern A41D 19/0027
D10/38
D878,217 S 3/2020 Dovas

(57) **CLAIM**
The ornamental design for a watch case, as shown and described.

DESCRIPTION

FIG. 1 is a perspective view of a watch case showing my new design;
FIG. 2 is another perspective view thereof;
FIG. 3 is a front elevational view thereof;
FIG. 4 is a rear elevational view thereof;
FIG. 5 is a left side elevational view thereof;
FIG. 6 is a right side elevational view thereof;
FIG. 7 is a top plan view thereof;
FIG. 8 is a bottom plan view thereof; and,
FIG. 9 is an enlarged view of portion 9 shown in FIG. 1.

1 Claim, 9 Drawing Sheets



(56)

References Cited

U.S. PATENT DOCUMENTS

D913,291 S * 3/2021 Zhang D14/440
D924,715 S * 7/2021 Wright D14/440
D925,385 S * 7/2021 Lin D14/440

FOREIGN PATENT DOCUMENTS

CN 202130853468.6 * 12/2021
GB 6141489 * 6/2021
GB 6175485 * 11/2021

OTHER PUBLICATIONS

Amazon, Newways Compatible with Apple Watch 38mm, posted Jan. 5, 2020, [online], [visited Sep. 23, 2020]. Internet, <URL: <https://www.amazon.co.uk/NewWays-2-Pack-Compatible-Protective-Protector/dp/B083J29L77/ref?th=1>> (Year: 2020).*

Amazon, Adepoy Rhinestone Apple Watch Case Compatible with Apple Watch, posted May 28, 2020, [online], [visited Sep. 23, 2020]. Internet, <URL: <https://www.amazon.co.uk/Adepoy-Rhinestone-Compatible-Protective-Protector-3-Rose-pink/dp/B089CPCFH6/ref?th=1>> (Year: 2020).*

Amazon, Fullife 42mm Case Compatible for Apple Watch Case, posted May 4, 2020, [online], [visited Sep. 28, 2020]. Internet, <URL: <https://www.amazon.co.uk/Fullife-Compatible-Protective-iWatch-Clear-38mm-Pink-Gold-Rose-Clear/dp/B0881LBM4T/ref?th=1>> (Year: 2020).*

* cited by examiner

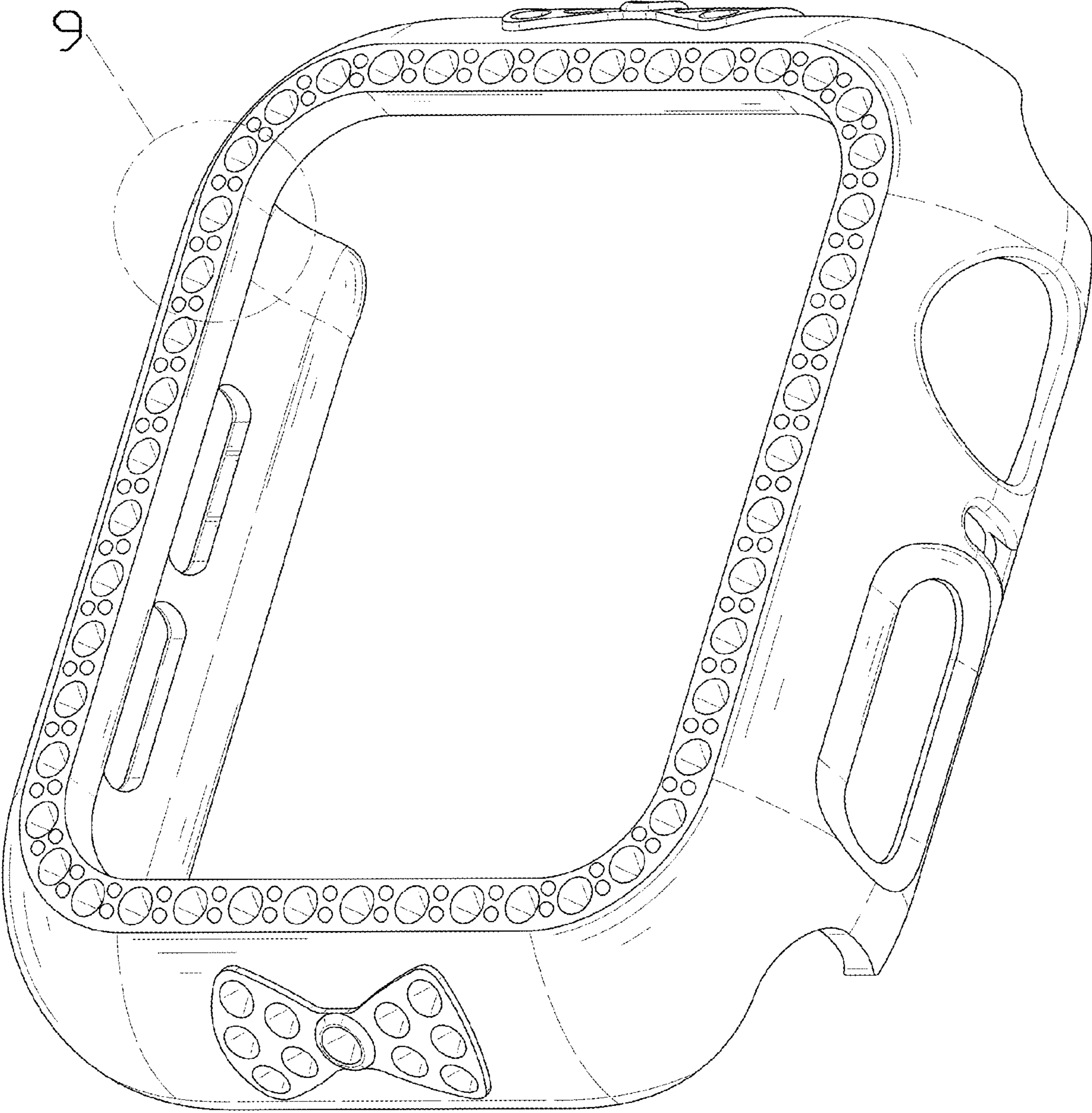


FIG. 1



FIG. 2

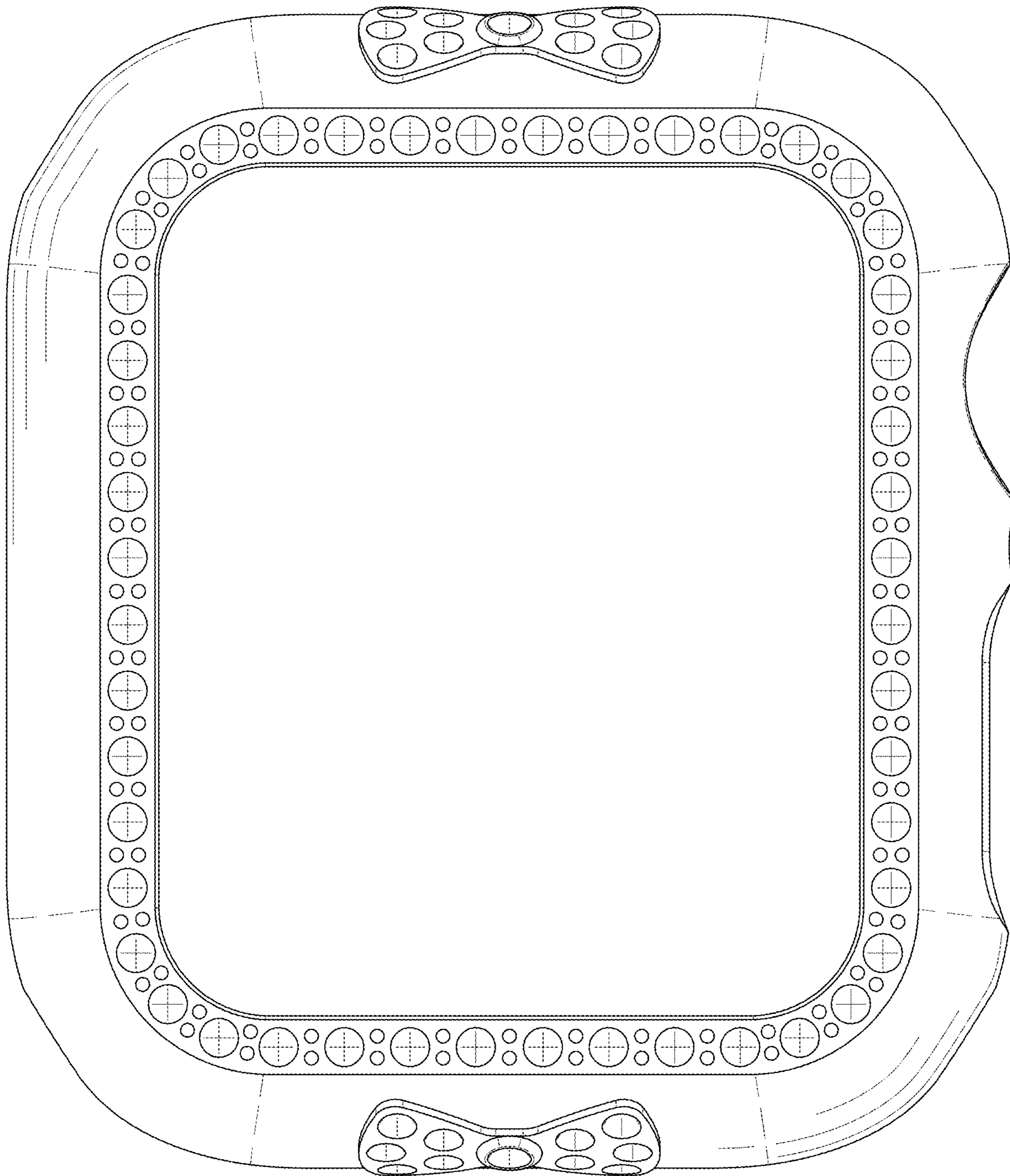


FIG. 3

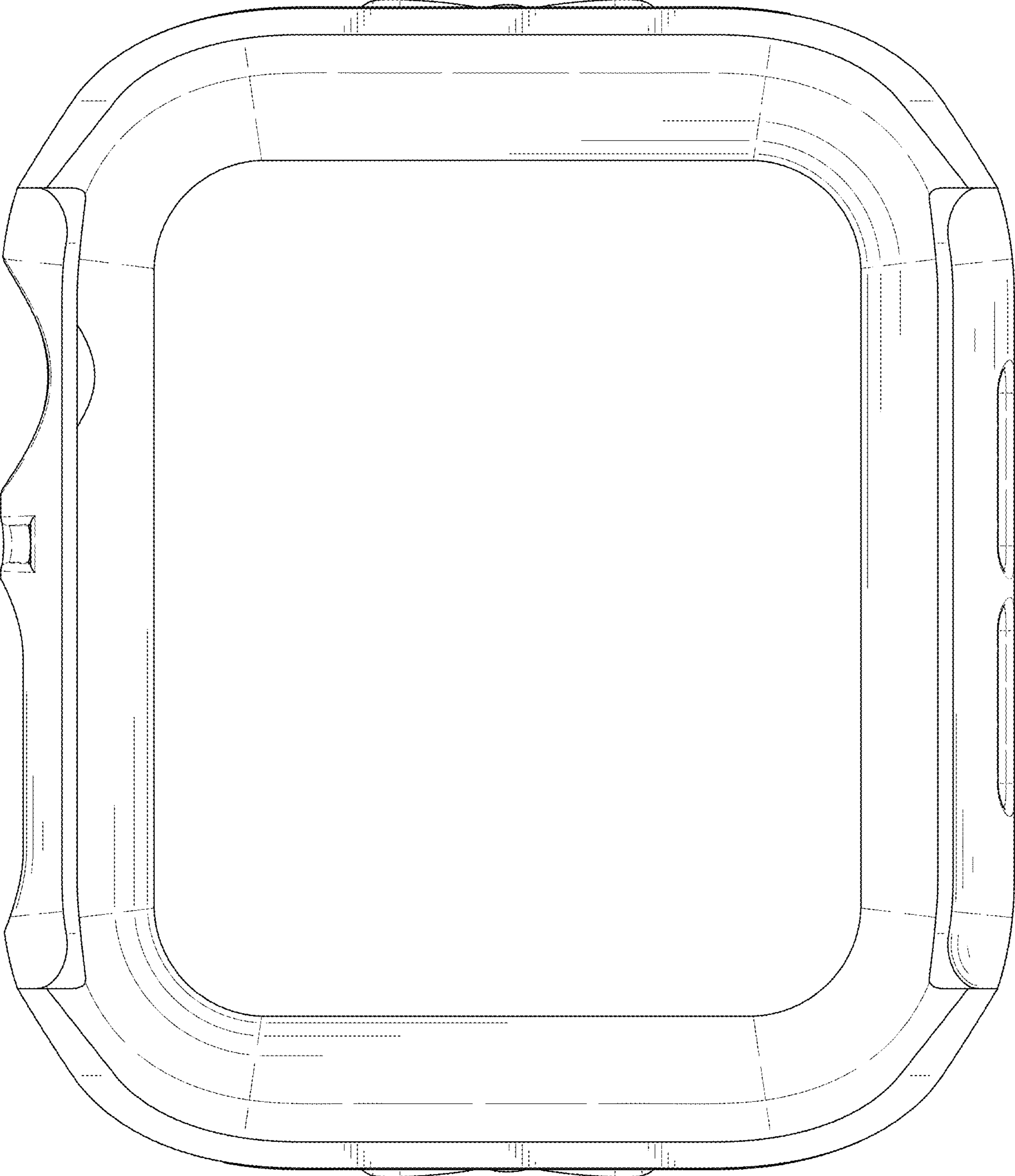


FIG. 4

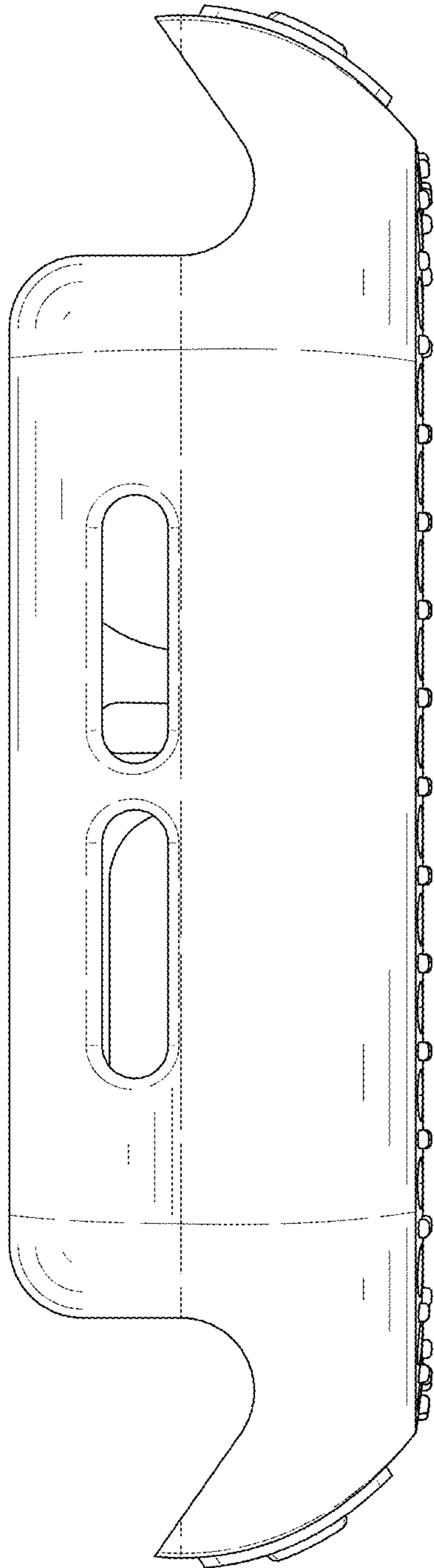


FIG. 5

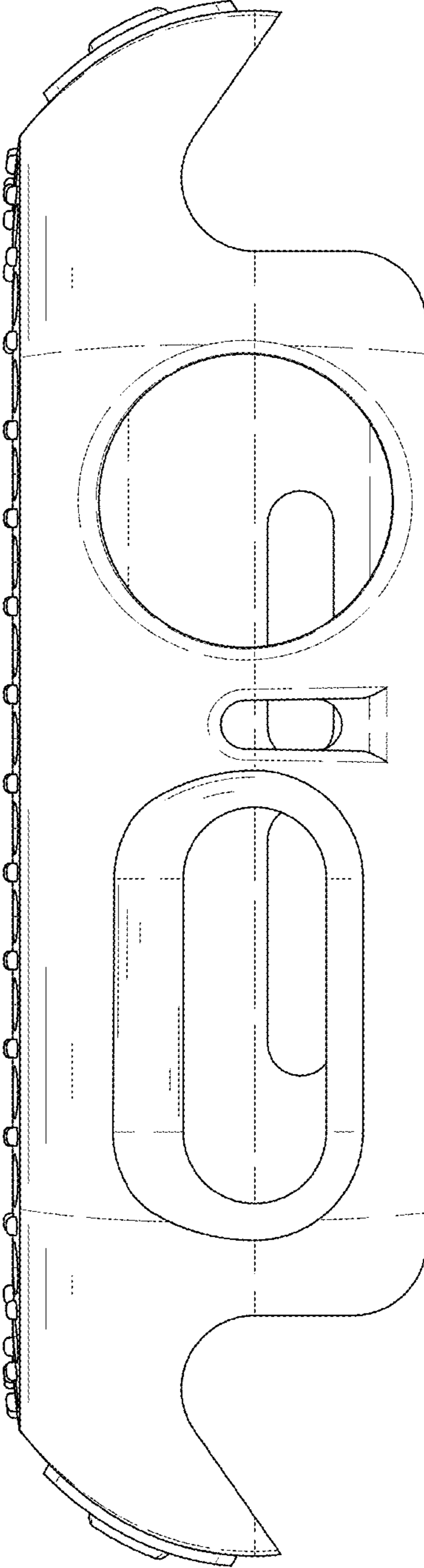


FIG. 6

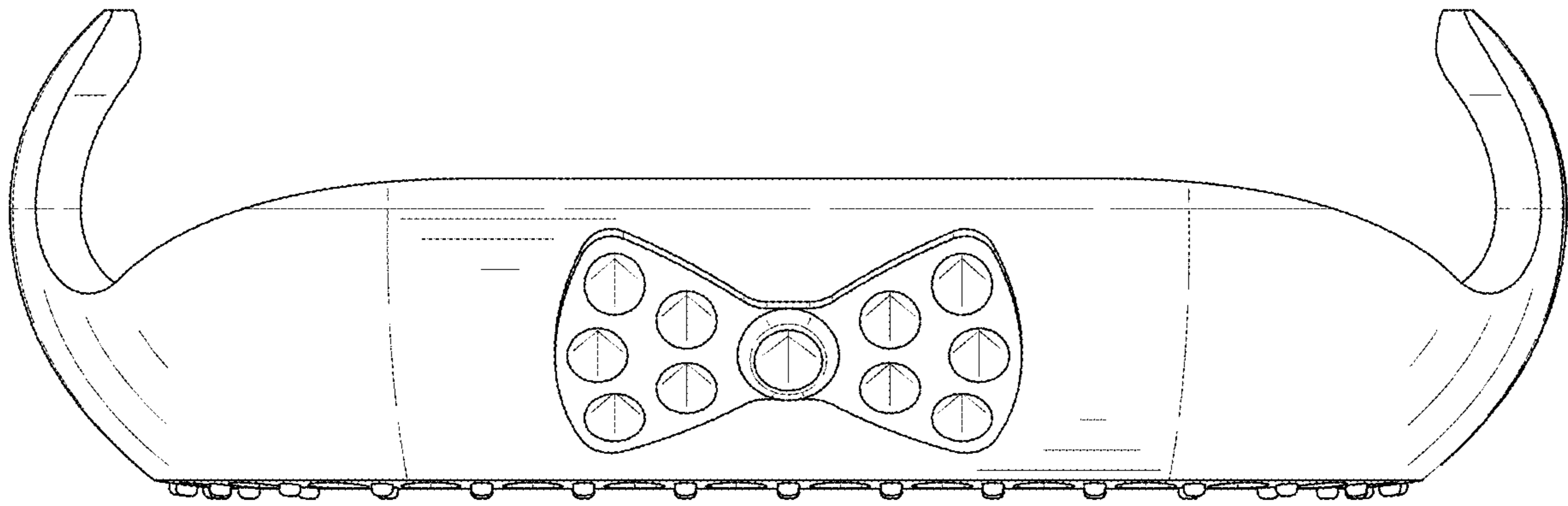


FIG. 7

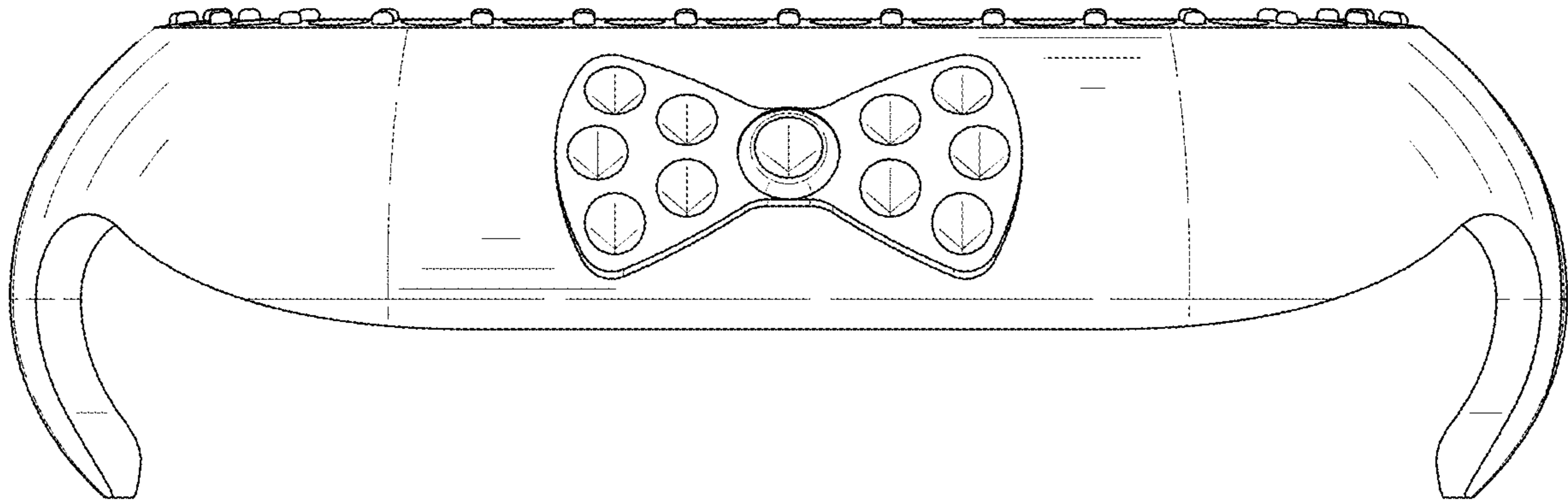


FIG. 8

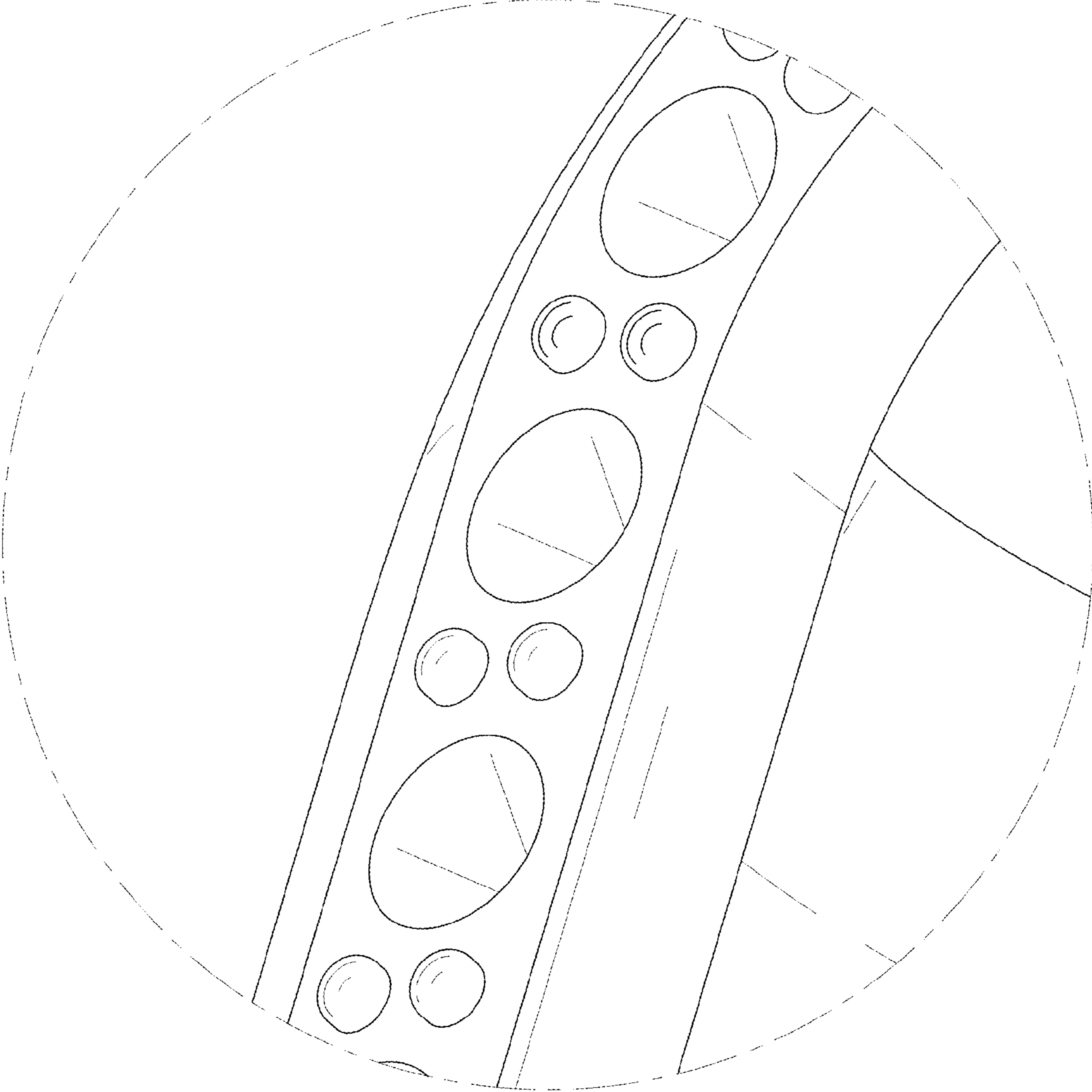


FIG. 9