



US00D954579S

(12) **United States Design Patent** (10) **Patent No.:** **US D954,579 S**
Klausmann (45) **Date of Patent:** **** Jun. 14, 2022**

(54) **COVER FOR MEASURING INSTRUMENTS**

(71) Applicant: **Frauscher Sensortechnik GmbH**, St. Marienkirchen (AT)

(72) Inventor: **Lorenz Klausmann**, Rainbach im Innkreis (AT)

(**) Term: **15 Years**

(21) Appl. No.: **35/508,666**

(22) Filed: **Apr. 12, 2019**

(80) **Hague Agreement Data**

Int. Filing Date: **Apr. 12, 2019**

Int. Reg. No.: **DM/206079**

Int. Reg. Date: **Apr. 12, 2019**

Int. Reg. Pub. Date: **Feb. 28, 2020**

(30) **Foreign Application Priority Data**

Oct. 12, 2018 (EM) 005796794

(51) **LOC (13) Cl.** **10-04**

(52) **U.S. Cl.**
USPC **D10/103**

(58) **Field of Classification Search**

USPC D10/46, 49, 50, 51, 52, 61, 62, 65, 75,
D10/103, 104.1, 106.6, 108, 121;
D13/184, 128, 133, 158

CPC B61L 1/00; B61L 1/02; B61L 1/04; B61L
1/06; B61L 1/18; B60Q 1/00; B60Q 1/26;
B60Q 1/34; B60Q 1/44; B60Q 1/46

See application file for complete search history.

(56) **References Cited**

U.S. PATENT DOCUMENTS

1,396,088 A * 11/1921 Bagnell B61L 1/04
246/250

D251,114 S * 2/1979 Potts D10/103

D257,765 S * 1/1981 Schachter D10/46

D261,243 S * 10/1981 Mintz D10/121

D292,892 S * 11/1987 Romn D10/106.6
D310,510 S * 9/1990 Bezos D13/128
D658,647 S * 5/2012 Tsai D14/356
D680,458 S * 4/2013 Corso D10/104.1
D705,107 S * 5/2014 Corso D10/106.9

(Continued)

FOREIGN PATENT DOCUMENTS

CN 201730579184 * 11/2017
KR 3020180039646 * 8/2018
VN 3-2008-01226 * 9/2008

OTHER PUBLICATIONS

UNECE, State-of-the-Art Wheel Detection and Axle Counting Systems, posted Mar. 28, 2012, [online], [visited Feb. 9, 2021]. Internet, <URL: https://unece.org/fileadmin/DAM/trans/main/temterm/2012_2nd_Expert_Group_Meeting_Ankara/TEM_March_2012_frauscher_showcase_ankara.pdf> (Year: 2012).*

(Continued)

Primary Examiner — Samantha Wood

(74) *Attorney, Agent, or Firm* — Haynes Beffel & Wolfeld LLP; Andrew L. Dunlap

(57) **CLAIM**

The ornamental design for a cover for measuring instruments, as shown and described.

DESCRIPTION

1. Cover for measuring instruments

1.1 : Front

1.2 : Back

1.3 : Right

1.4 : Left

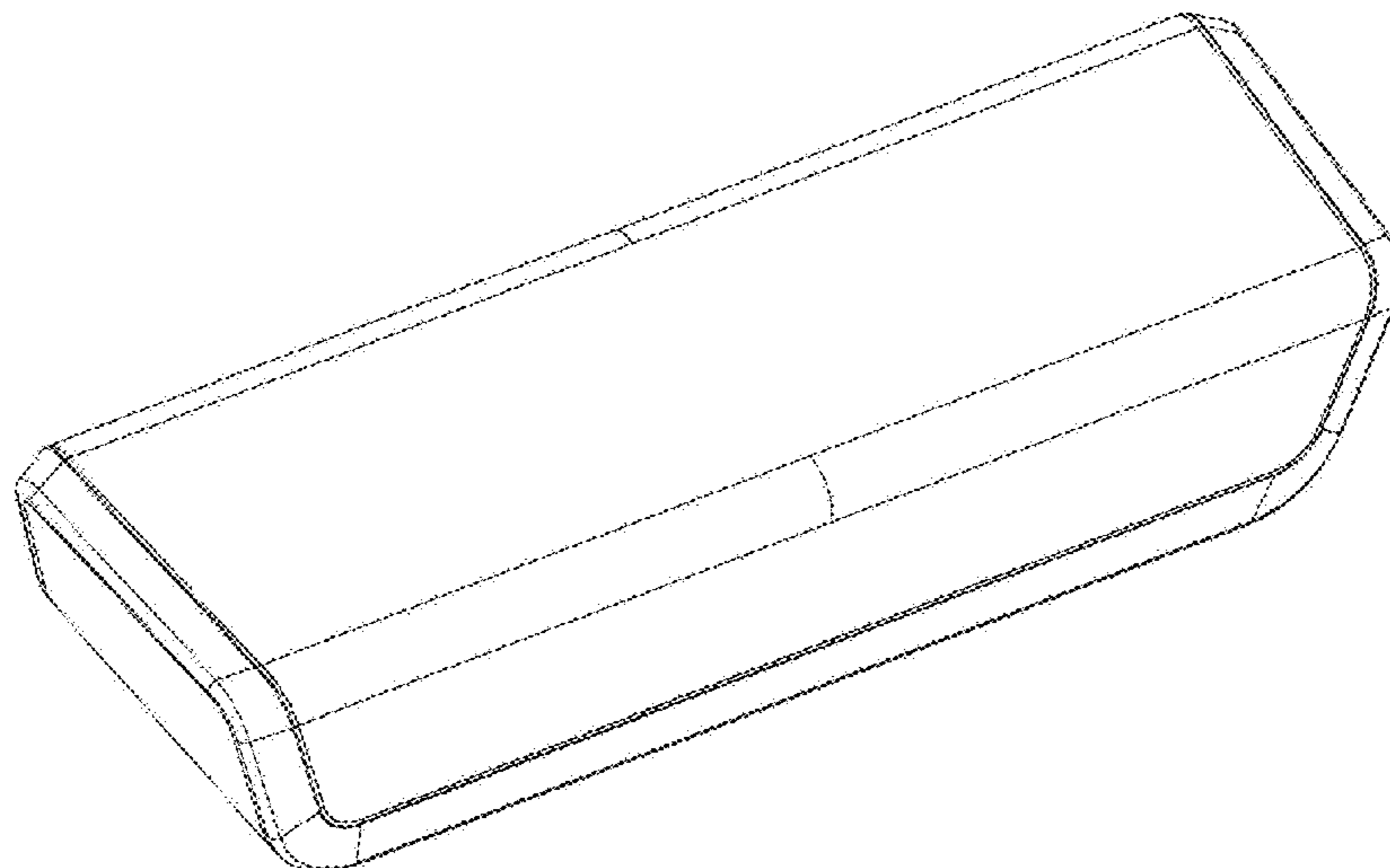
1.5 : Top

1.6 : Bottom

1.7 : Perspective

The broken lines are included for the purpose of illustrating portions of the article and form no part of the claimed design.

1 Claim, 7 Drawing Sheets



(56)

References Cited

U.S. PATENT DOCUMENTS

D764,335 S * 8/2016 Thornton D10/106.6

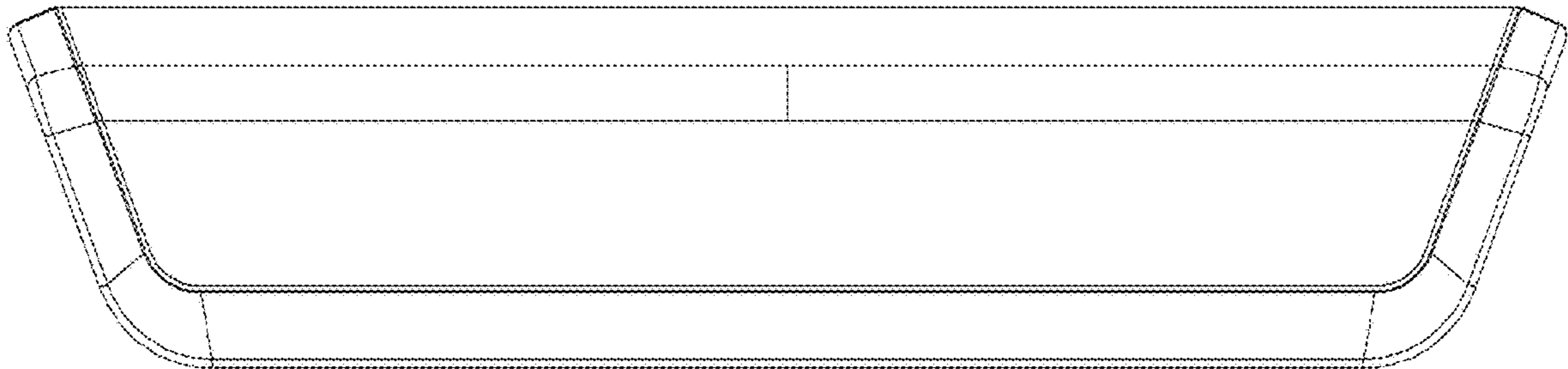
OTHER PUBLICATIONS

Alamy, A Newly installed “wheel” detector for identifying the passage of a train wheel for detection purposes, posted Jun. 24, 2013, [online], [visited Feb. 9, 2021]. Internet, <URL: <https://www.alamy.com/a-newly-installed-wheel-detector-for-identifying-the-passage-of-a-image63465971.html>> (Year: 2013).*

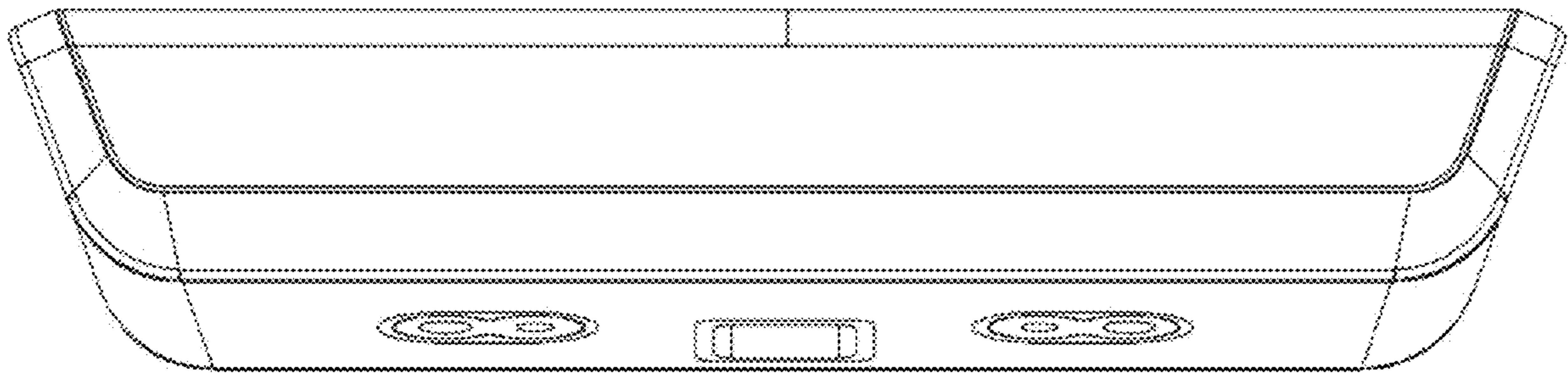
Youtube, Frauscher at InnoTrans 2018, posted Nov. 22, 2018 [online], [visited Feb. 9, 2021]. Internet, <URL: https://www.youtube.com/watch?v=_8VGpzt0F_A> (Year: 2018).*

* cited by examiner

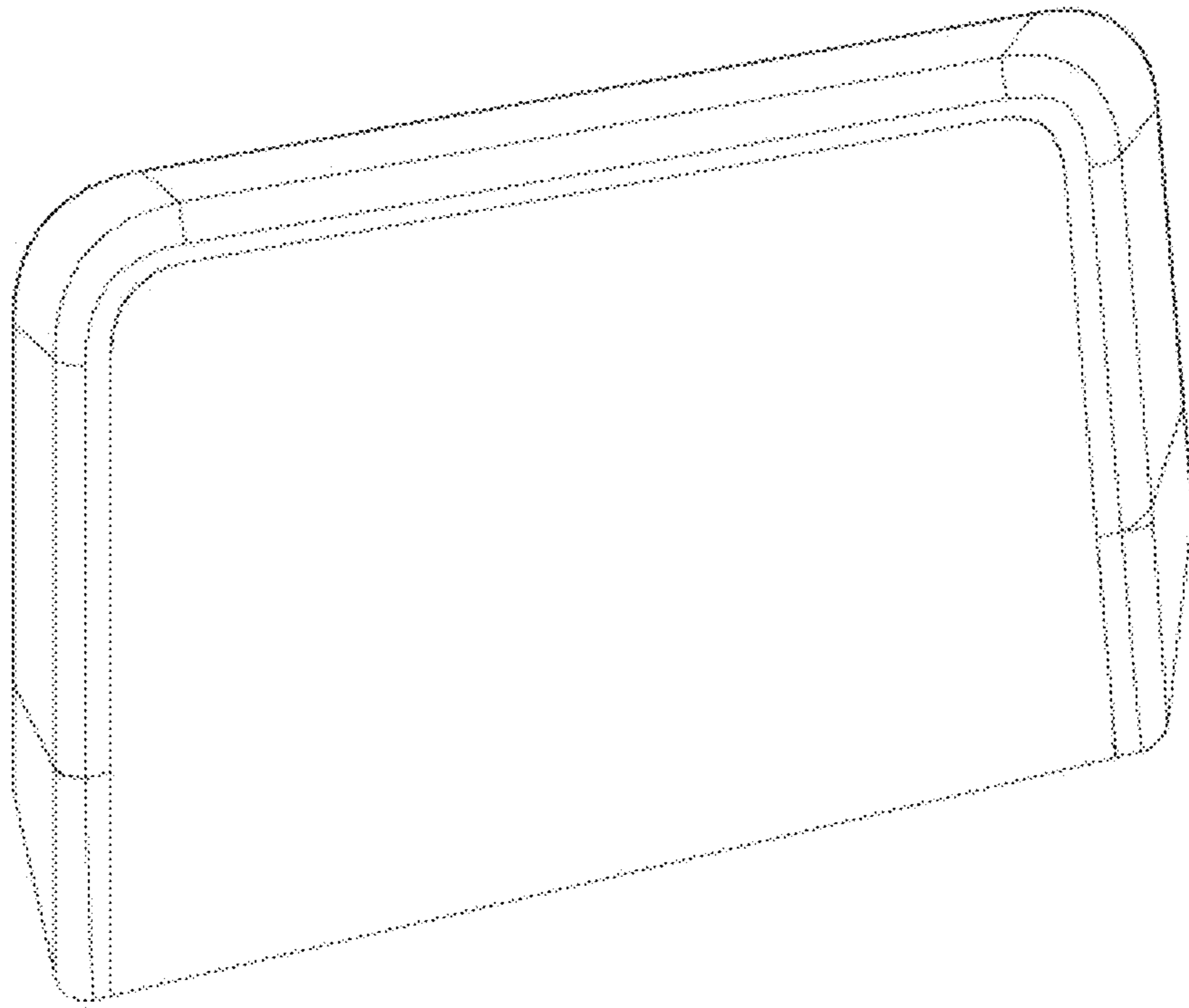
1.1



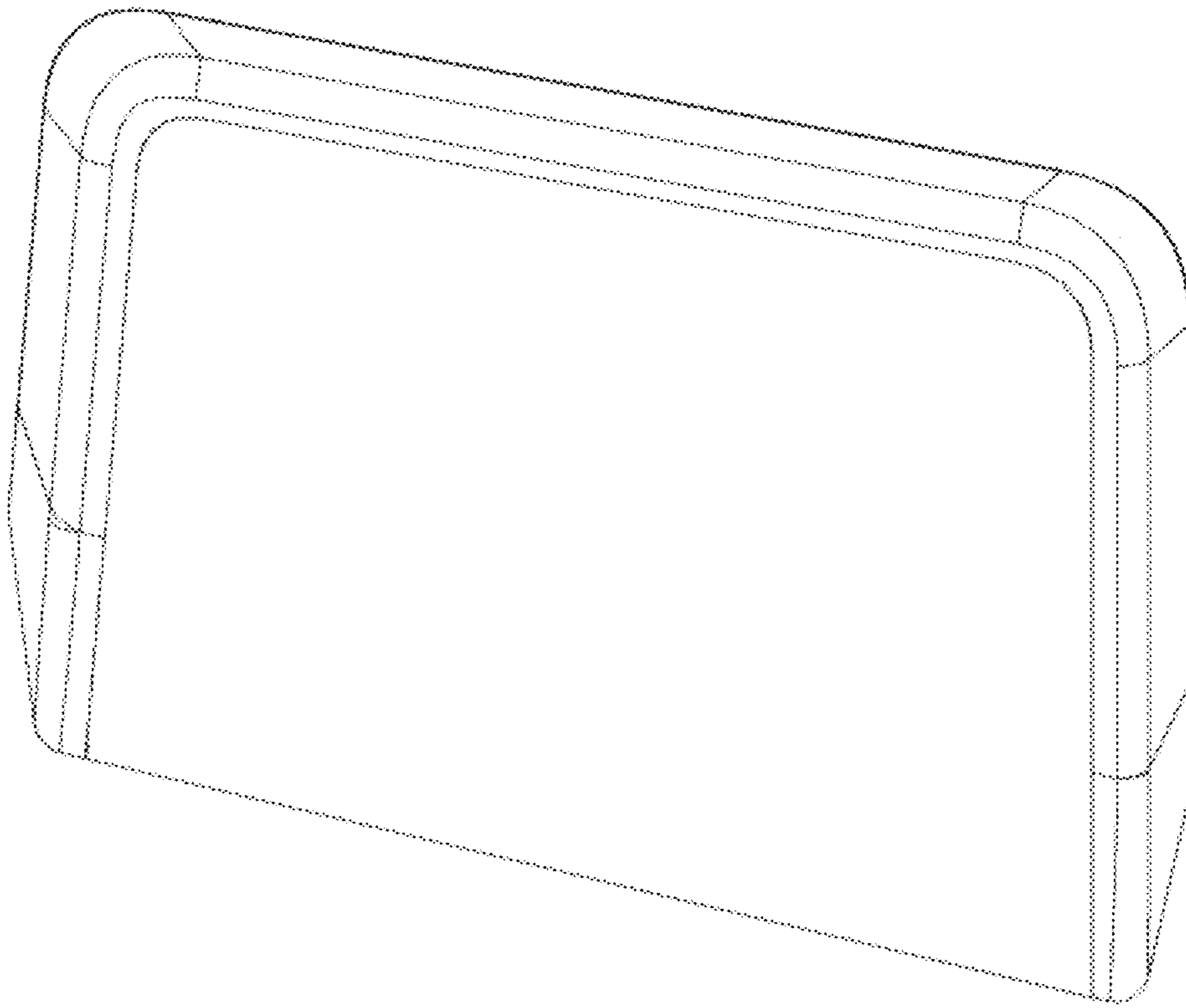
1.2



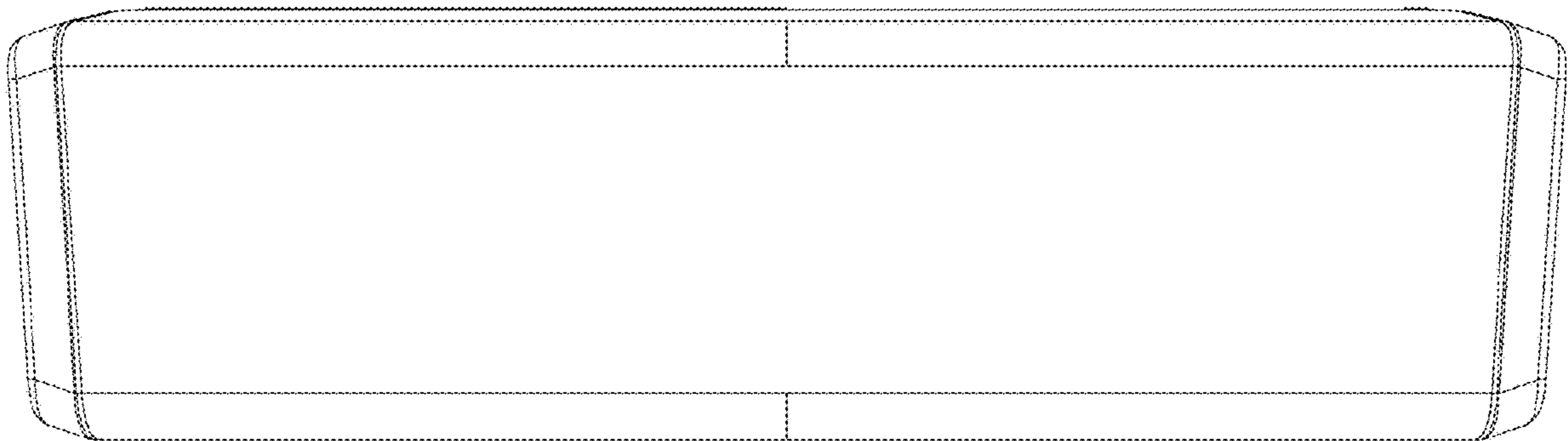
1.3

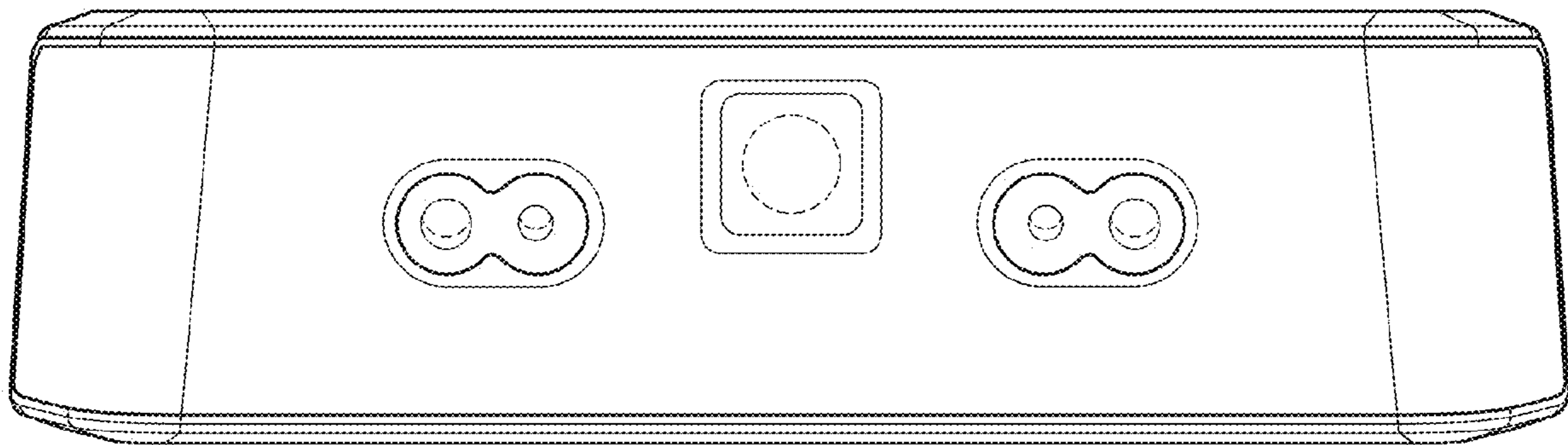


1.4



1.5





1.6

1.7

