



US00D954577S

(12) **United States Design Patent** (10) **Patent No.:** **US D954,577 S**
Cai (45) **Date of Patent:** **** Jun. 14, 2022**

(54) **UPRIGHT DEVICE WITH SLOTTED APERTURE**
(71) Applicant: **AUTEL INTELLIGENT TECHNOLOGY CORP., LTD.,**
Guangdong (CN)

D881,053 S * 4/2020 Cai D10/103
D882,438 S * 4/2020 Cai D10/103
D883,111 S * 5/2020 Cai D10/70
2013/0325252 A1* 12/2013 Schommer G01S 7/52004
701/33.1
2019/0249985 A1* 8/2019 Stieff G01S 7/4972
2020/0256952 A1* 8/2020 Qiu G01S 7/4026
2020/0271268 A1* 8/2020 Govekar F16M 11/046

(72) Inventor: **Zhenyu Cai**, Guangdong (CN)
(73) Assignee: **AUTEL INTELLIGENT TECHNOLOGY CORP., LTD.,**
Shenzhen (CN)
(**) Term: **15 Years**

FOREIGN PATENT DOCUMENTS

CN 303451241 * 11/2015
CN 304820747 * 9/2018
CN 304833696 * 9/2018
CN 304833697 * 9/2018
CN 305395971 * 10/2019
CN 305911544 * 7/2020

(21) Appl. No.: **29/654,307**
(22) Filed: **Jun. 22, 2018**
(30) **Foreign Application Priority Data**

* cited by examiner

Primary Examiner — Sheryl Lane
Assistant Examiner — Ieisha N Price

Dec. 25, 2017 (CN) 201730666687.7
(51) **LOC (13) Cl.** **10-04**
(52) **U.S. Cl.**
USPC **D10/103**
(58) **Field of Classification Search**
USPC D16/219; D10/103, 94, 95
CPC G01N 2201/0612; G01S 7/4972; G01S
7/4052; G01S 2007/4082; G01S 7/4026;
G01S 7/4017; G01S 2007/403; G01S
7/40
See application file for complete search history.

(57) **CLAIM**

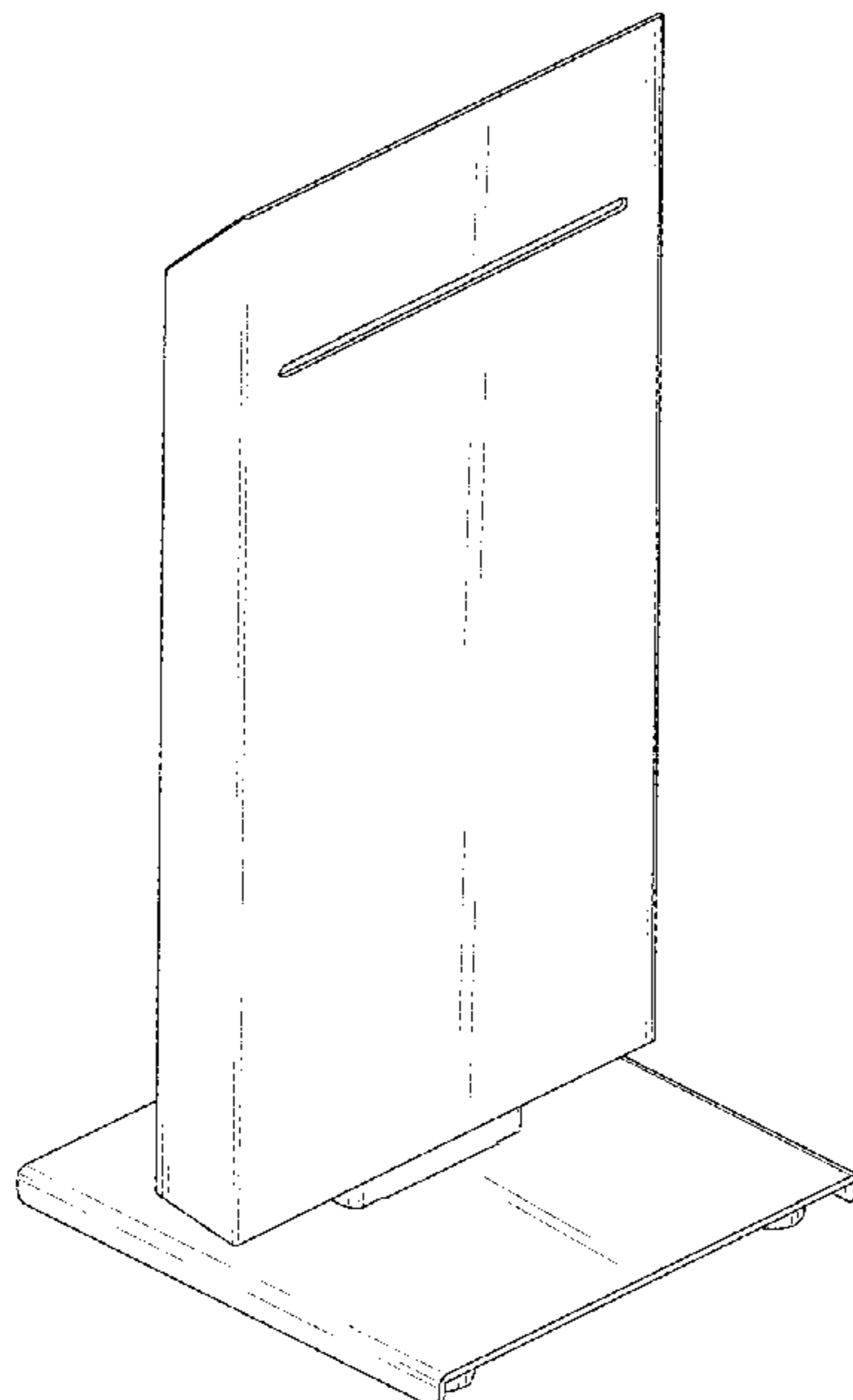
The ornamental design for an upright device with slotted aperture, as shown and described.

DESCRIPTION

FIG. 1 is a top, front, left side perspective view of an upright device with slotted aperture showing my new design;
FIG. 2 is a top, rear, right side perspective view thereof;
FIG. 3 is a front elevational view thereof;
FIG. 4 is a rear elevational view thereof;
FIG. 5 is a left side elevational view thereof;
FIG. 6 is a right side elevational view thereof;
FIG. 7 is a top plan view thereof; and,
FIG. 8 is a bottom plan view thereof.
The broken line portions in the drawings do not form a part of the claimed design.

(56) **References Cited**
U.S. PATENT DOCUMENTS
D501,497 S * 2/2005 Hayamizu D16/202
D534,198 S * 12/2006 Horikiri D16/219
D875,813 S * 2/2020 Fujimoto D16/219
D881,051 S * 4/2020 Cai D10/103

1 Claim, 7 Drawing Sheets



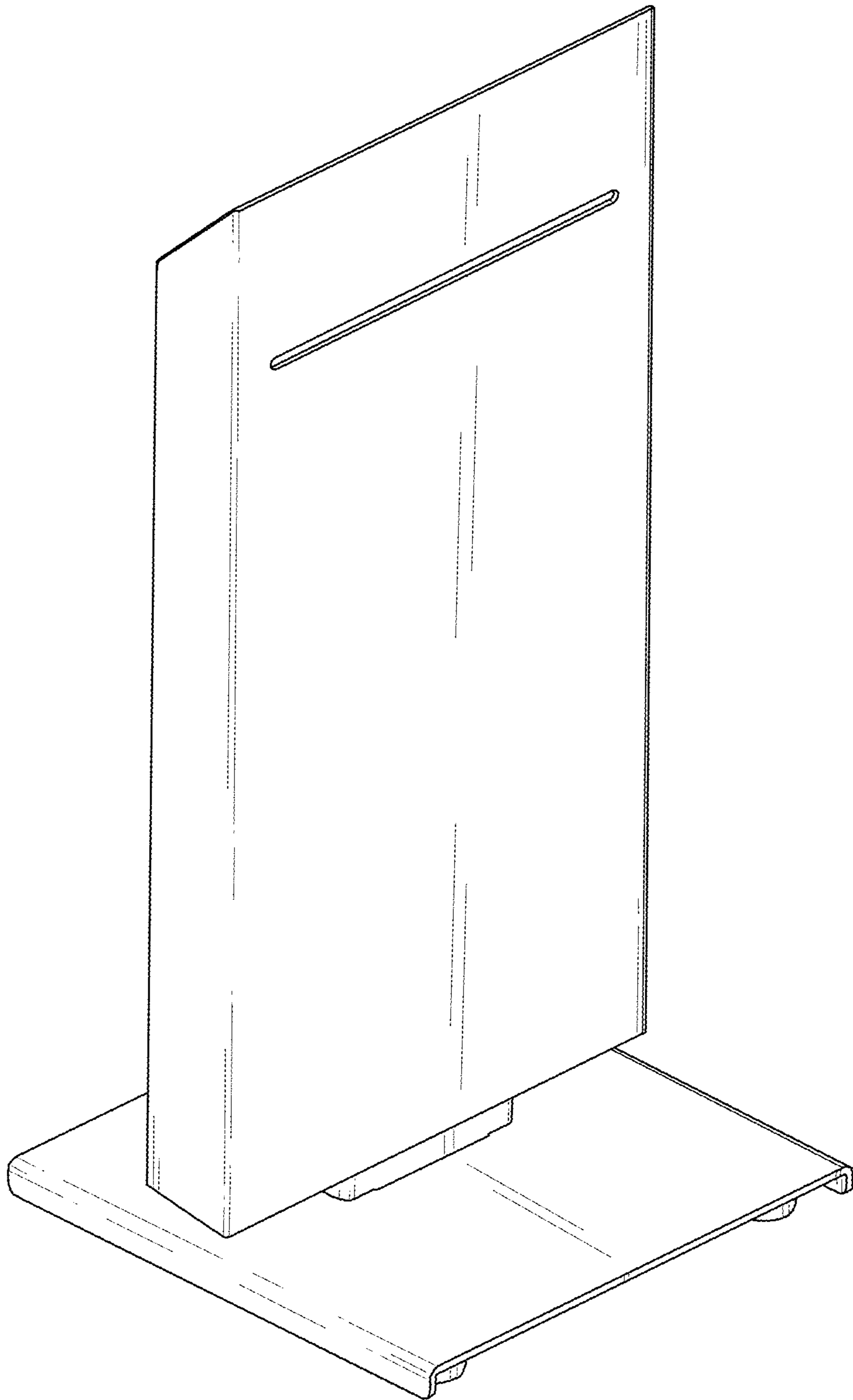


FIG. 1

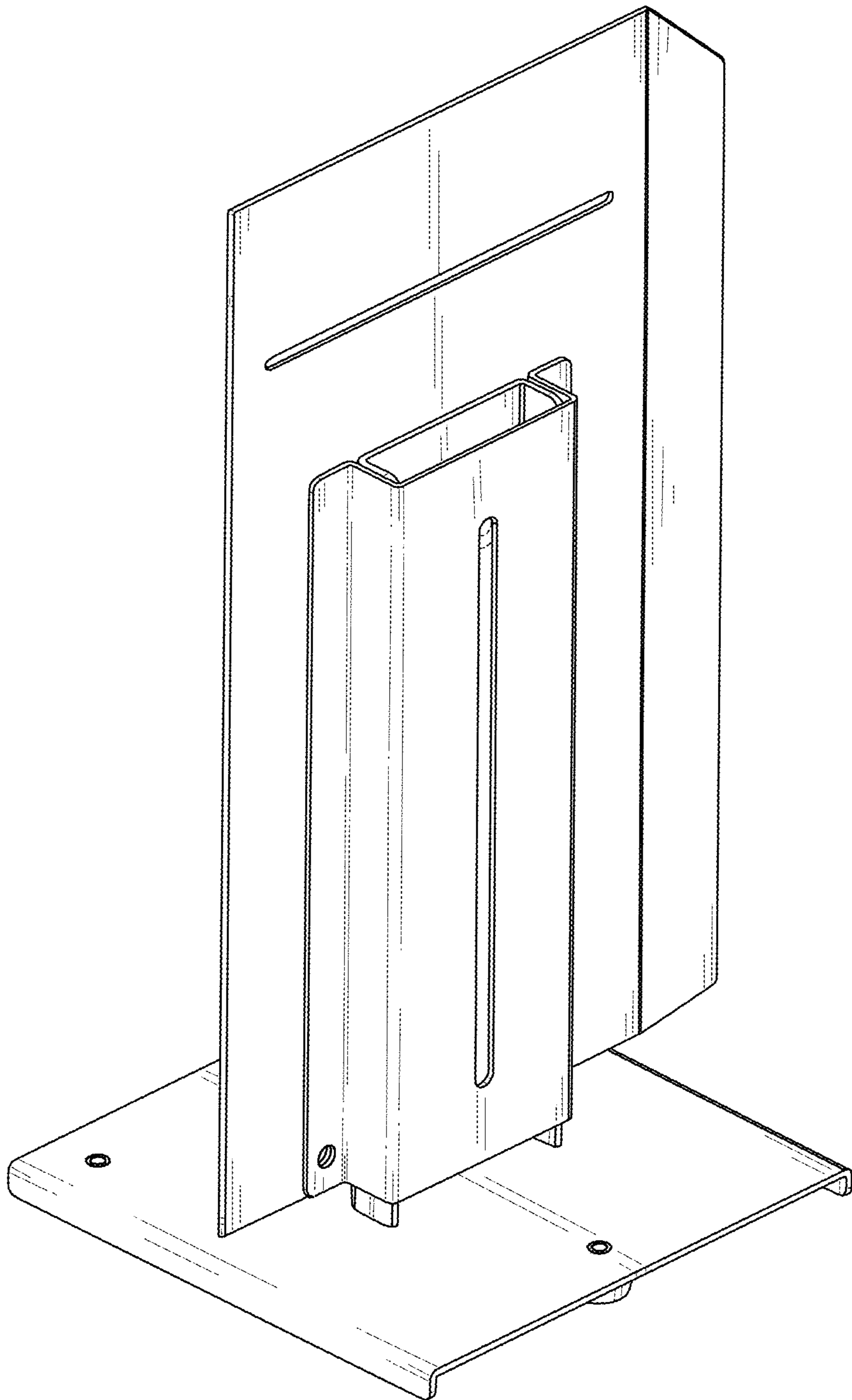


FIG. 2

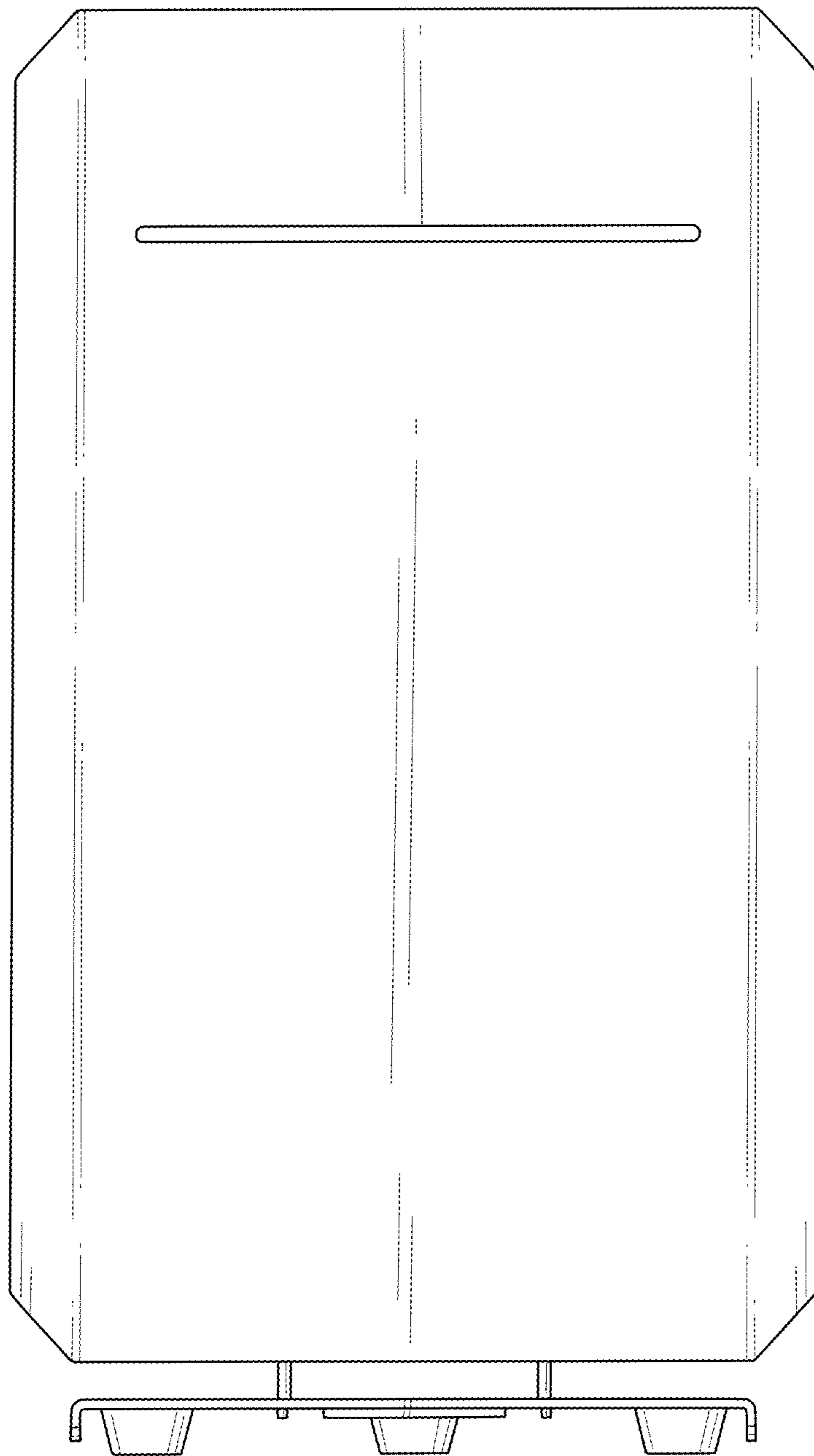


FIG. 3

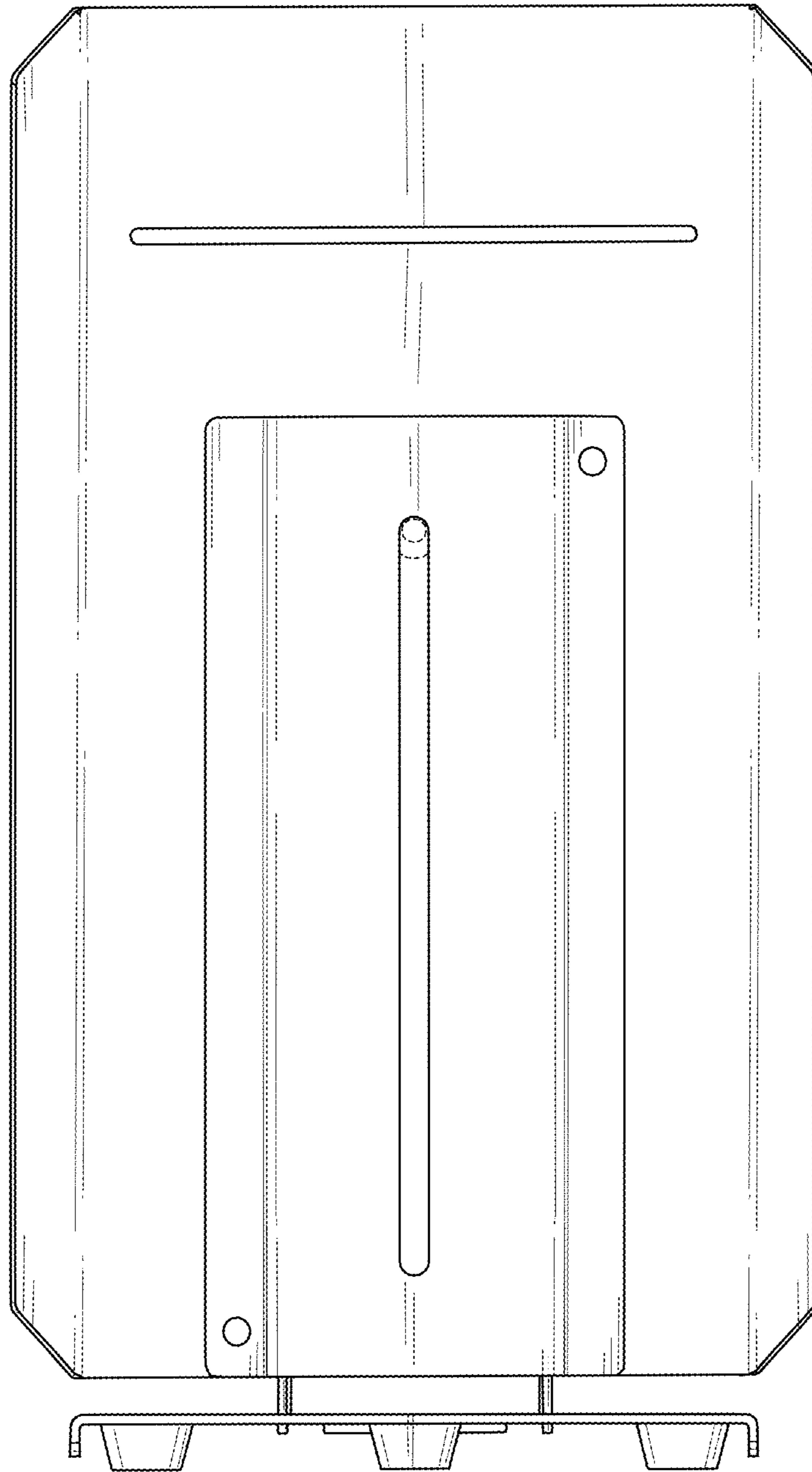


FIG. 4

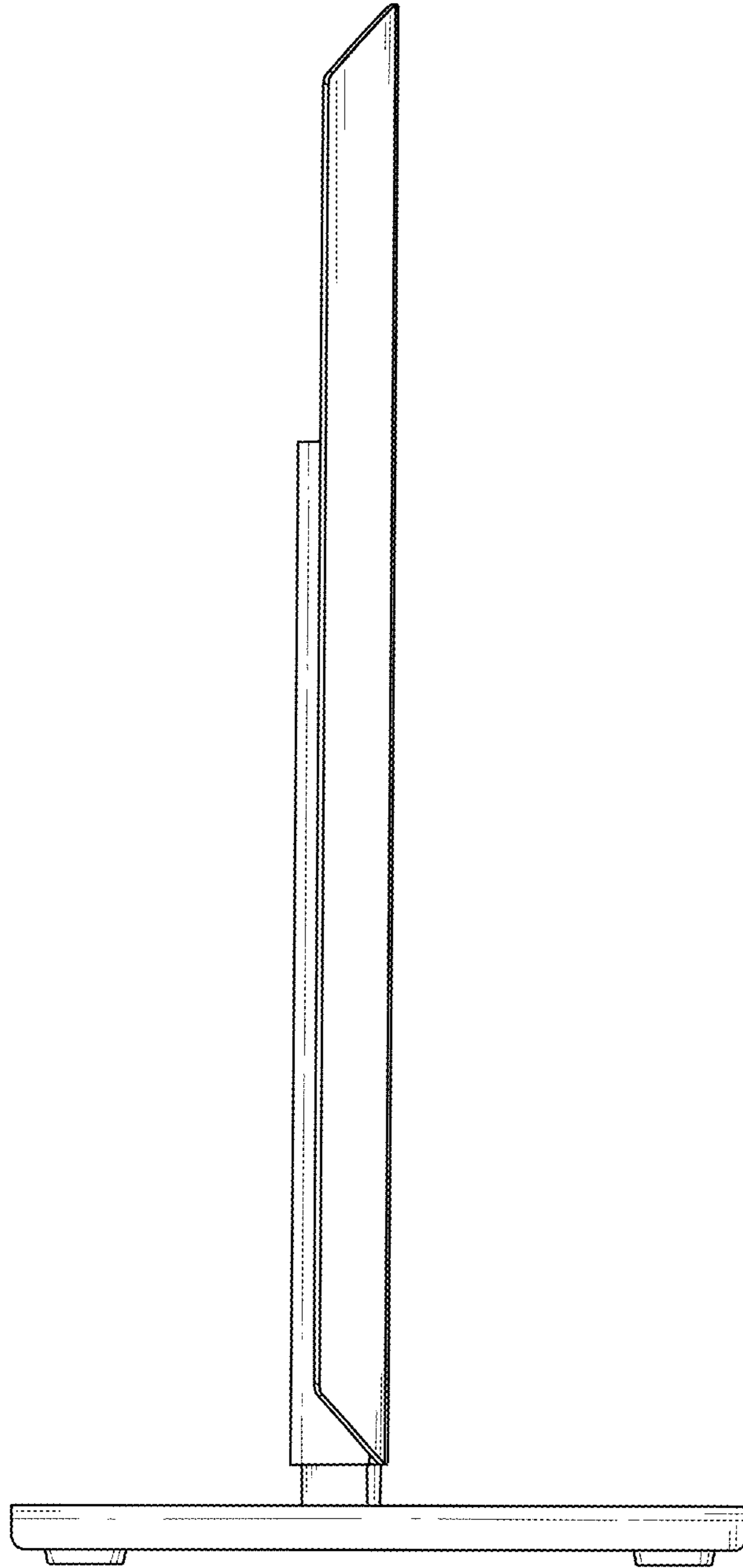


FIG. 5

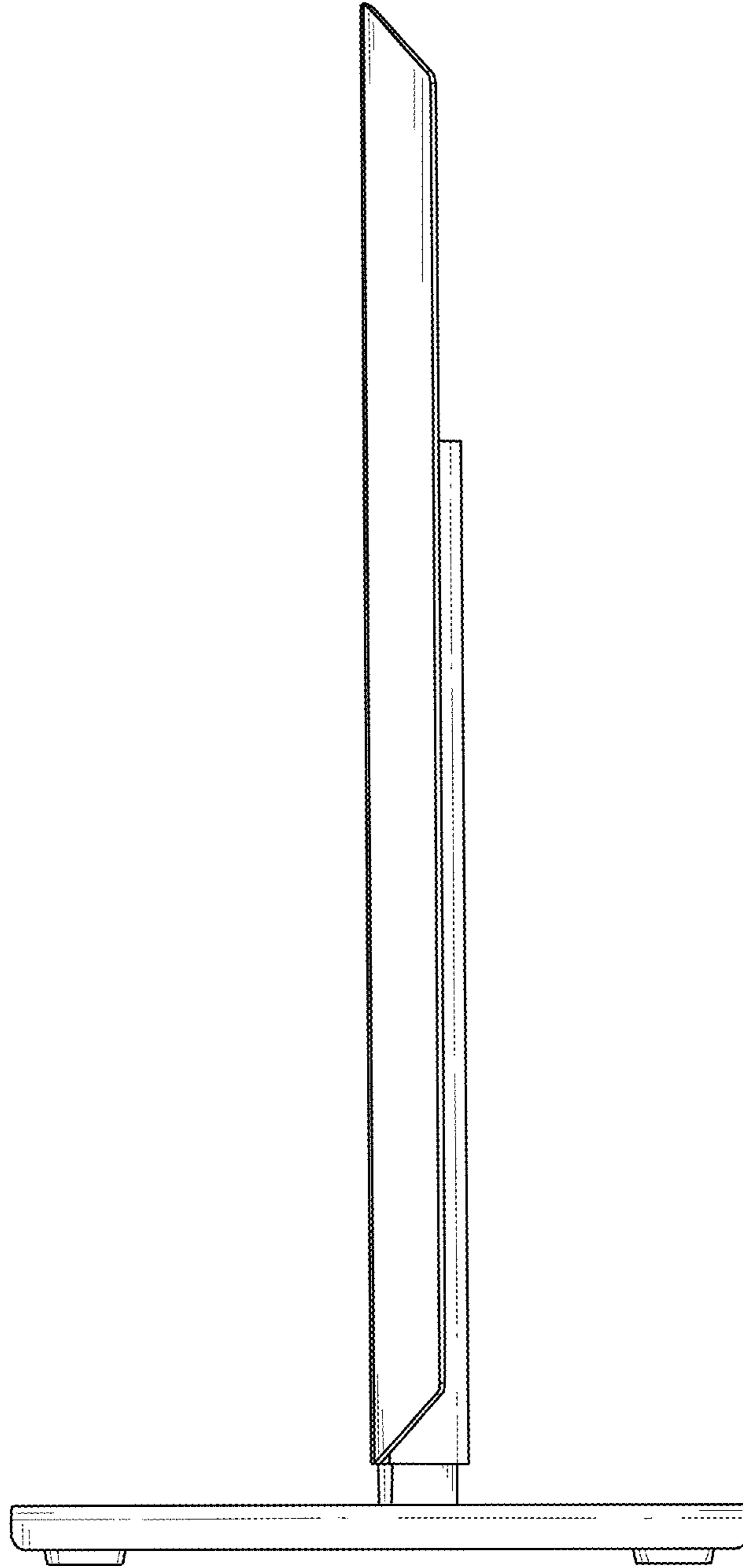


FIG. 6

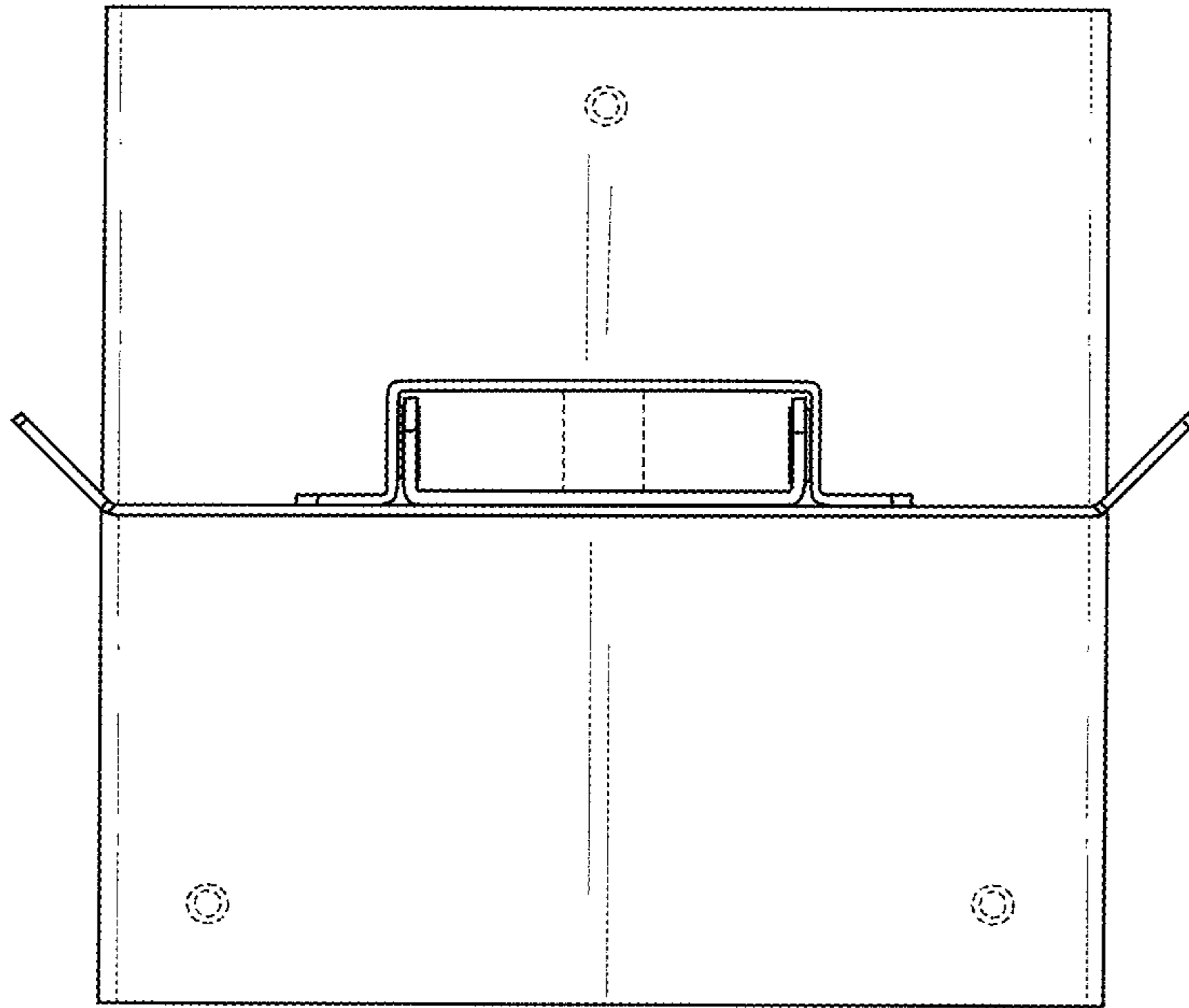


FIG. 7

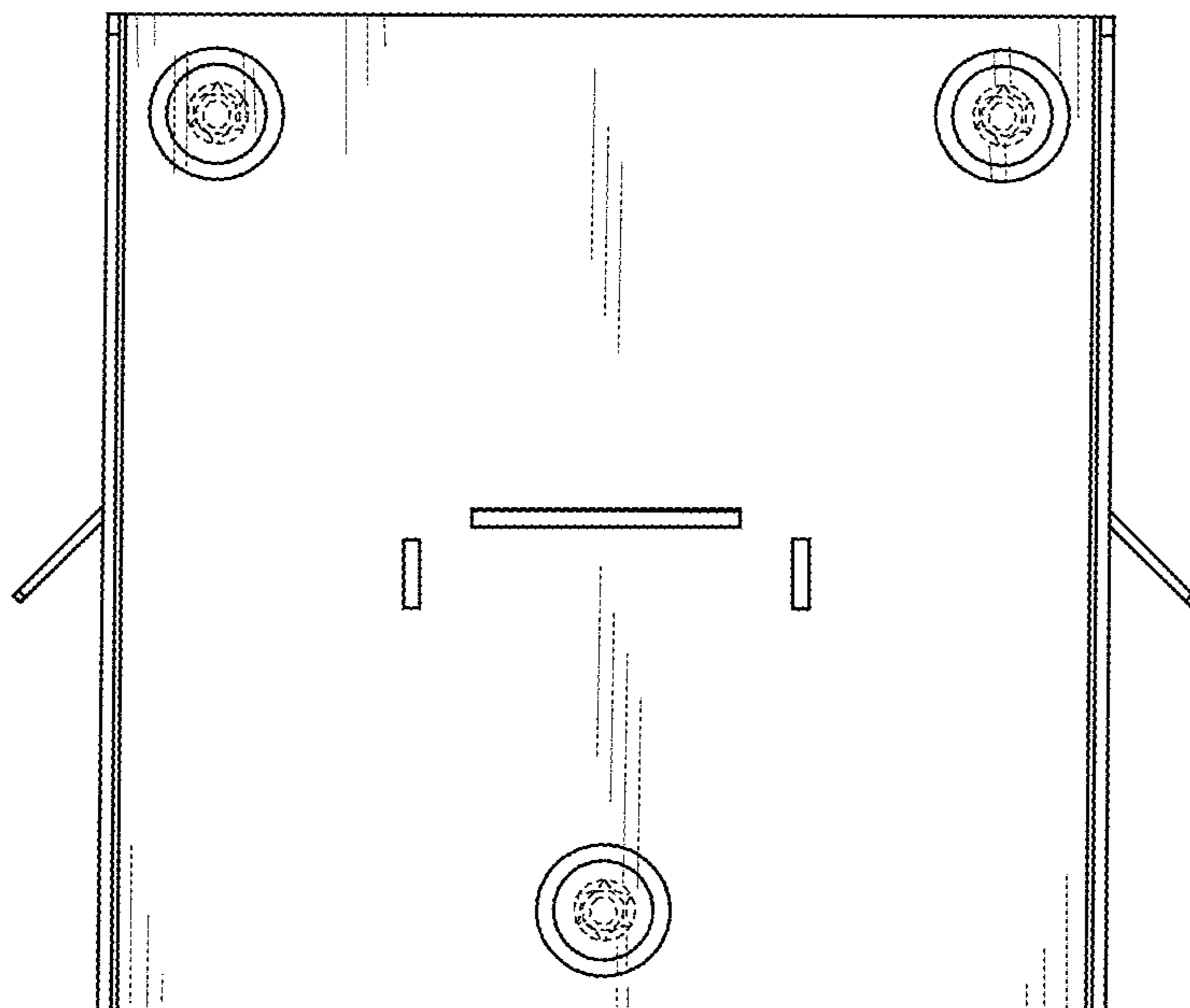


FIG. 8